



US00D888610S

(12) **United States Design Patent**
Paik et al.

(10) **Patent No.:** **US D888,610 S**

(45) **Date of Patent:** **** Jun. 30, 2020**

(54) **BUCKLE MEMBER FOR BAGS**

(71) Applicant: **WOJIN PLASTIC CO., LTD.**,
Guri-si, Gyeonggi-do (KR)

(72) Inventors: **Jisook Paik**, Seoul (KR); **Nan Hee Paik**, Seoul (KR); **Ji Hye Paik**, Seoul (KR); **Ji Won Son**, Seoul (KR)

(73) Assignee: **WOJIN PLASTIC CO., LTD.**,
Guri-si, Gyeonggi-Do (KR)

(**) Term: **15 Years**

(21) Appl. No.: **29/656,902**

(22) Filed: **Jul. 17, 2018**

(30) **Foreign Application Priority Data**

Jan. 23, 2018 (KR) 30-2018-0003772

(51) **LOC (12) Cl.** **02-07**

(52) **U.S. Cl.**
USPC **D11/216**

(58) **Field of Classification Search**

USPC D2/624-640, 853, 976; D3/24, 213, 215,
D3/216, 230, 222, 202; D8/14, 16, 19,
D8/331, 343, 349, 356, 358, 359, 360,
D8/363, 366, 371, 382, 394, 395;
D10/32; D11/1-3, 87, 93, 200, 201,
D11/206-210, 212-219, 220, 230-237;
D29/100-101.5, 122, 129; D30/139, 152,
D30/153

CPC A44B 11/00; A44B 11/02; A44B 11/04;
A44B 11/05; A44B 11/06; A44B 11/10;
A44B 11/14; A44B 11/18; A44B 11/22;
A44B 11/26; A44B 11/125; A44B 11/233;
A44B 11/001; A44B 11/005; A44B
11/006; A44B 11/2503; A44B 11/2507;
A44B 11/2526; A44B 11/2553; A44B
11/2592; A44B 11/2519; A44B 11/2452;
A44B 13/00; A41F 1/008; A41F 9/002;
A41F 9/007; A41F 15/002; B60R 22/30;

B60R 22/32; B60R 22/002; B60R
2022/1806; B60R 2022/1812; B60R
2022/281; B65D 63/16; A62B 35/00

See application file for complete search history.

(56) **References Cited**

U.S. PATENT DOCUMENTS

D296,310 S *	6/1988	Crowle	D11/216
D478,023 S *	8/2003	Chen	D11/216
D580,820 S *	11/2008	Daykin	D11/216
D618,590 S *	6/2010	Paik	D11/216
D668,178 S *	10/2012	Kao	D11/216

(Continued)

Primary Examiner — Michelle E. Wilson

Assistant Examiner — Tracey J Bell

(74) *Attorney, Agent, or Firm* — Novick, Kim & Lee,
PLLC; Jae Youn Kim

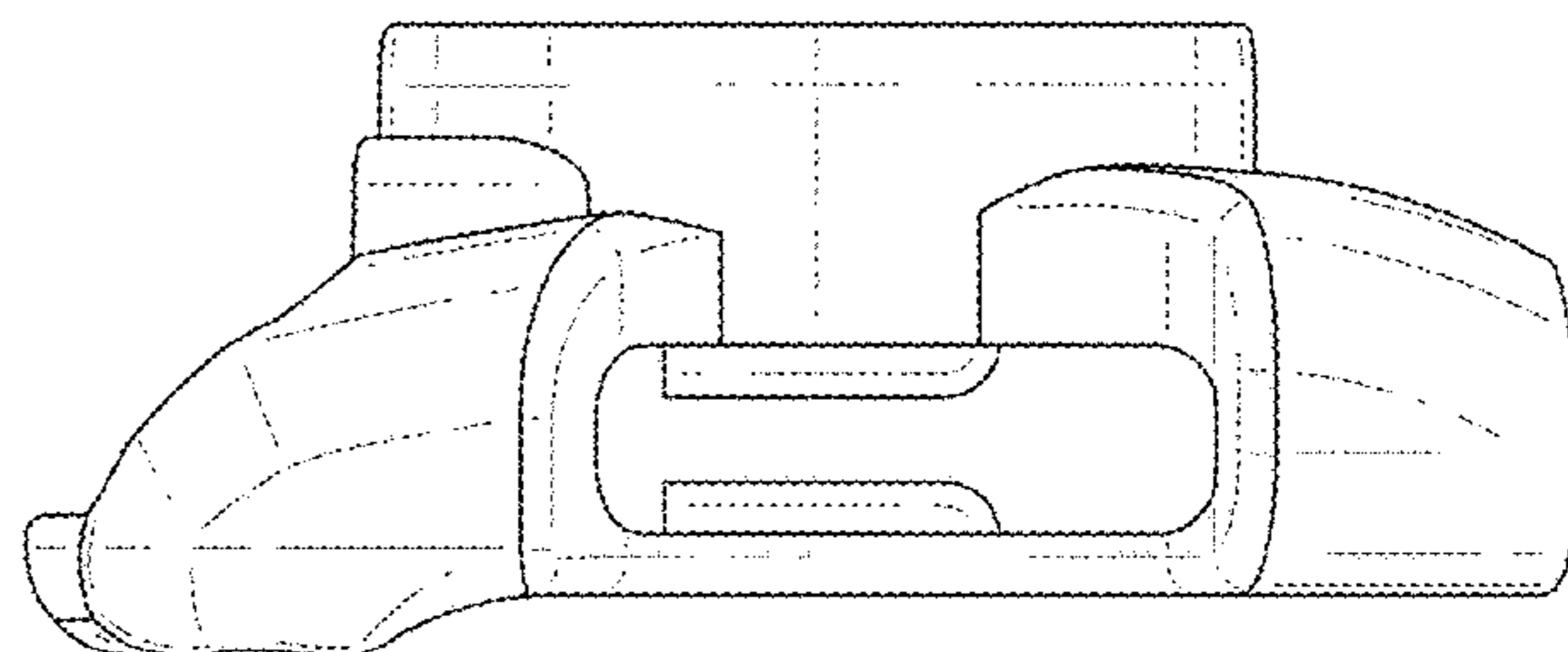
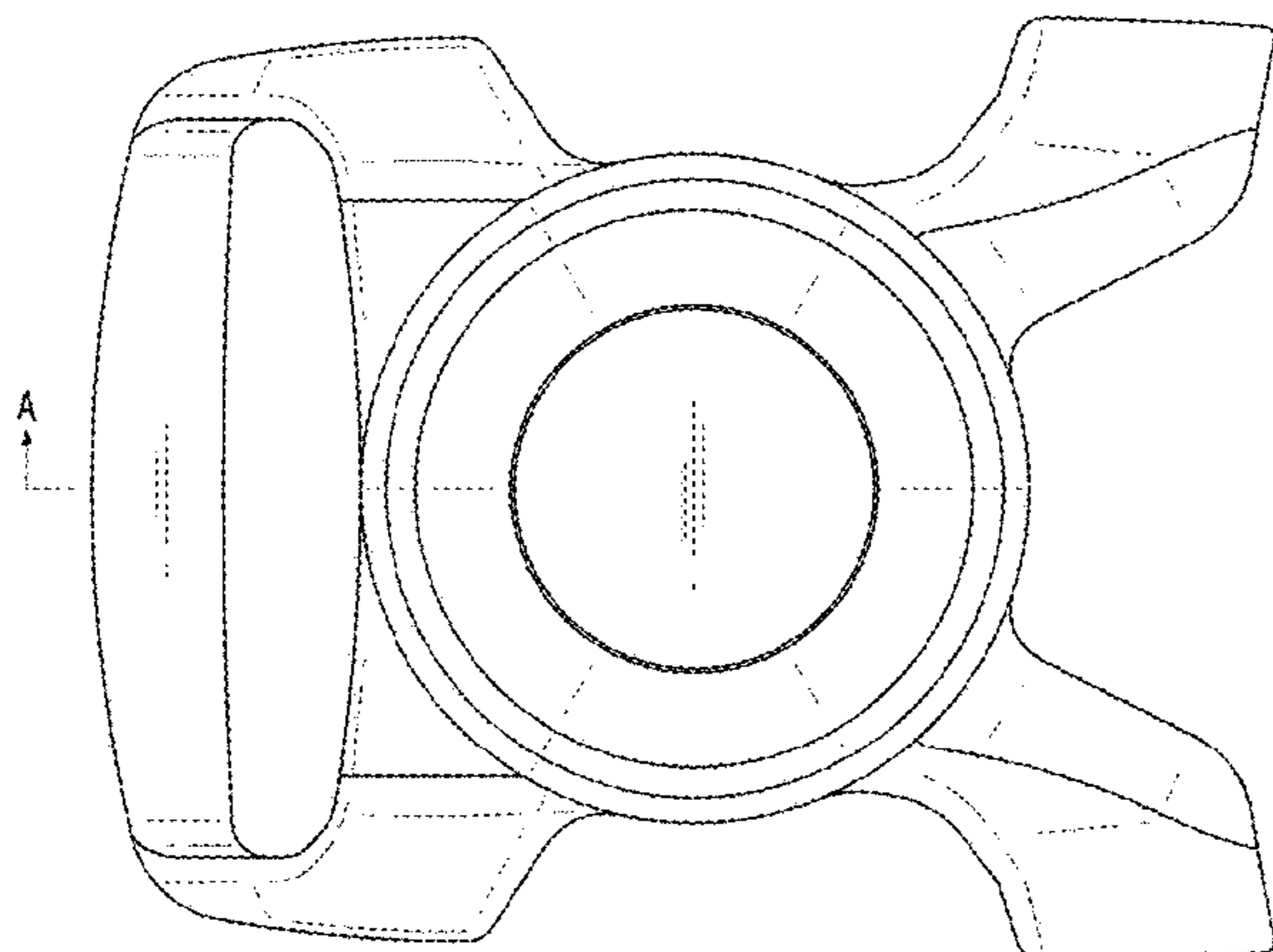
(57) **CLAIM**

The ornamental design for a buckle member for bags, as shown and described.

DESCRIPTION

FIG. 1 is a perspective view of a buckle member for bags showing our new design;
FIG. 2 is a front view thereof;
FIG. 3 is a rear view thereof;
FIG. 4 is a left-side view thereof;
FIG. 5 is a right-side view thereof;
FIG. 6 is a top view of thereof;
FIG. 7 is a bottom view thereof;
FIG. 8 is a cross-sectional view taken along line A-A in FIG. 2; and,
FIG. 9 is a perspective view of the buckle member for bags shown with environmental subject matter.
The broken line showing of a male buckle member in FIG. 9 is directed to environment. The broken lines form no part of the claimed design.

1 Claim, 9 Drawing Sheets



(56)

References Cited

U.S. PATENT DOCUMENTS

D671,443 S * 11/2012 Paik D11/216
D686,530 S * 7/2013 Paik D11/216
D700,540 S * 3/2014 Kaneko D11/216
D701,139 S * 3/2014 Kadoishi D11/216
D701,792 S * 4/2014 Kelleghan D11/216
D770,939 S * 11/2016 Kolasa D11/216
D805,953 S * 12/2017 Salomonsson D11/216
9,907,368 B2 * 3/2018 Paik A44B 11/266
D845,168 S * 4/2019 Paik D11/216
D859,208 S * 9/2019 Ishii D11/218
D862,283 S * 10/2019 Paik D11/216
D868,626 S * 12/2019 Paik D11/218
2017/0172262 A1 * 6/2017 Paik A44B 11/2592
2017/0332741 A1 * 11/2017 Chun F21V 31/005

* cited by examiner

Fig. 1

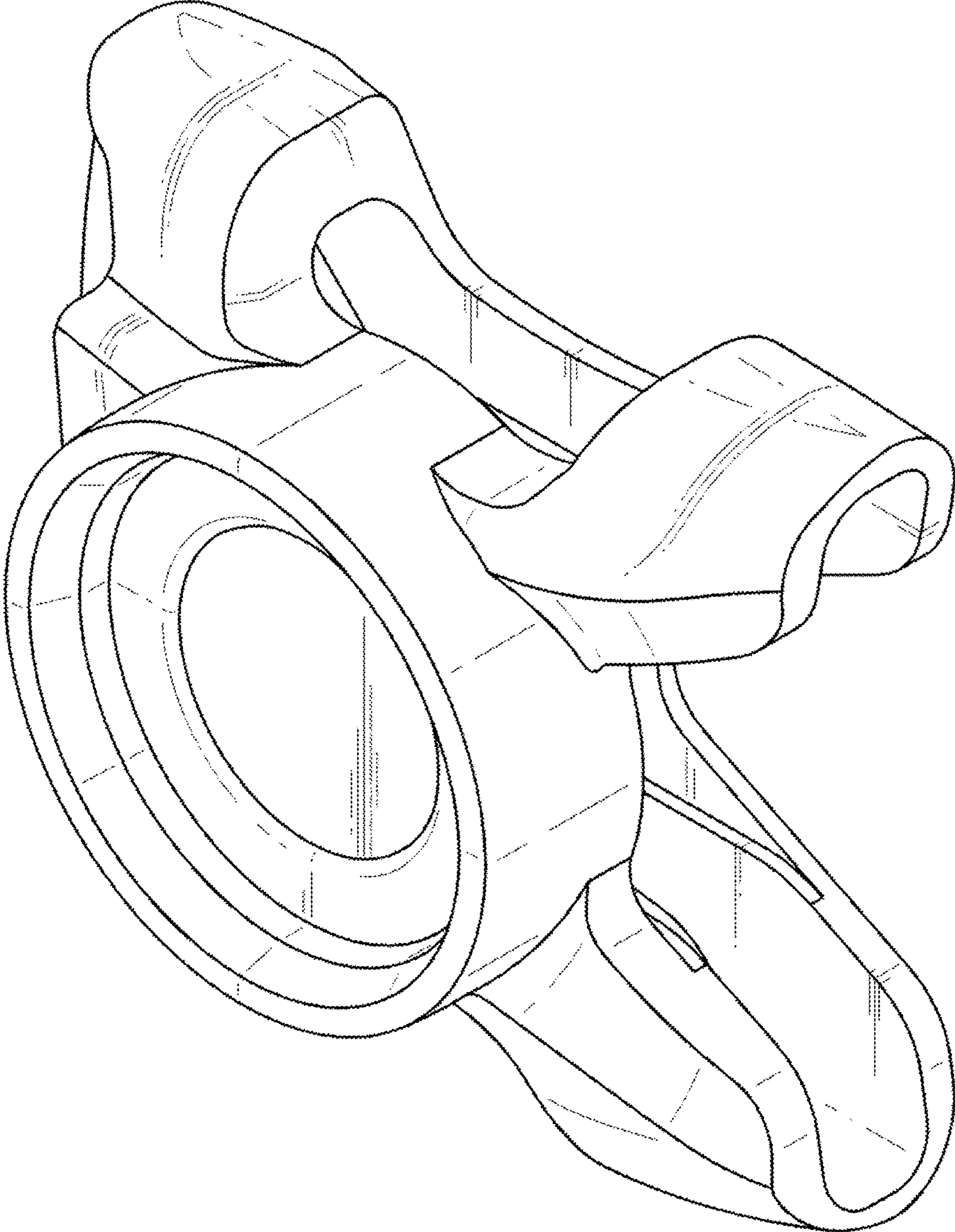


Fig. 2

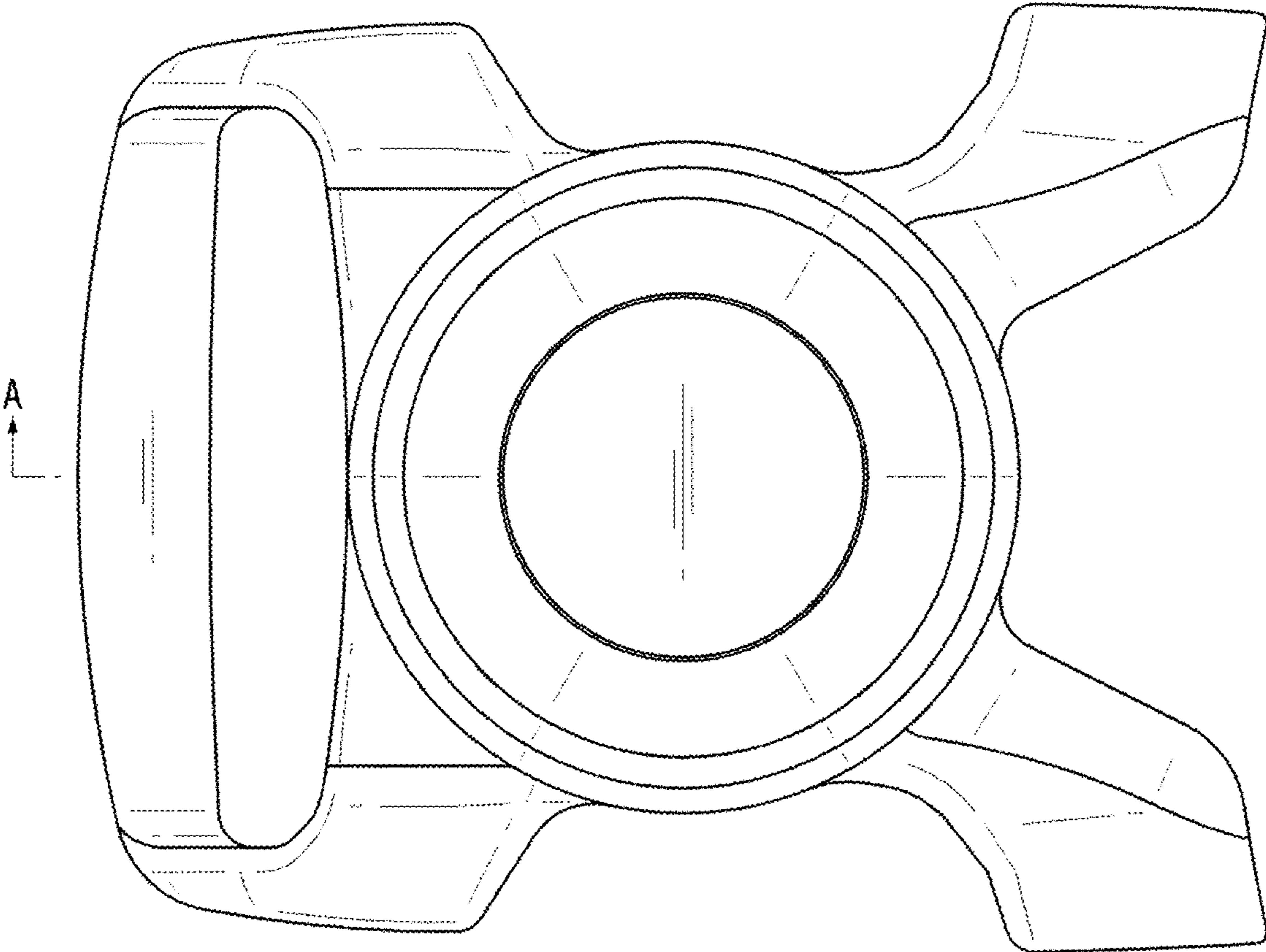


Fig. 3

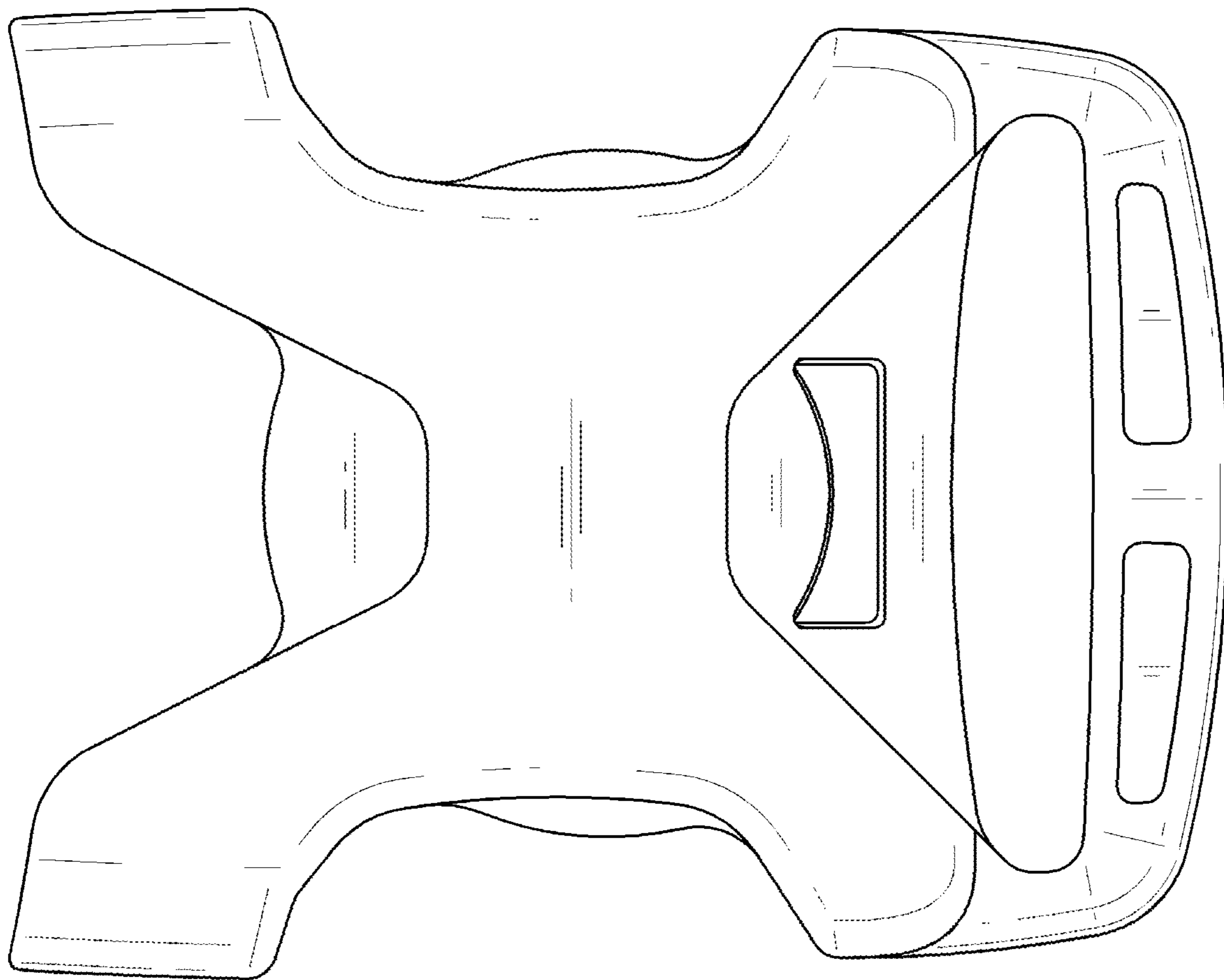


Fig. 4

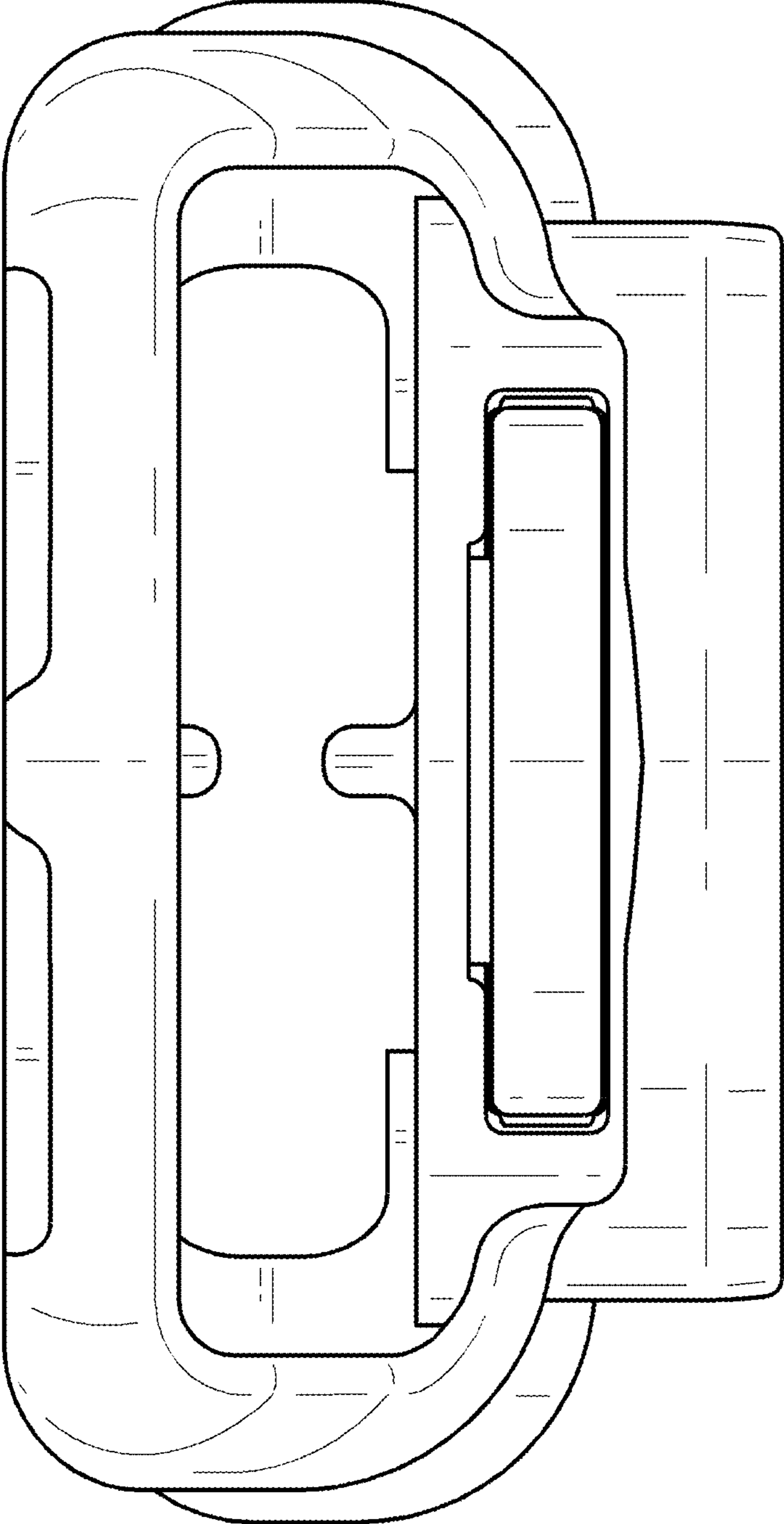


Fig. 5

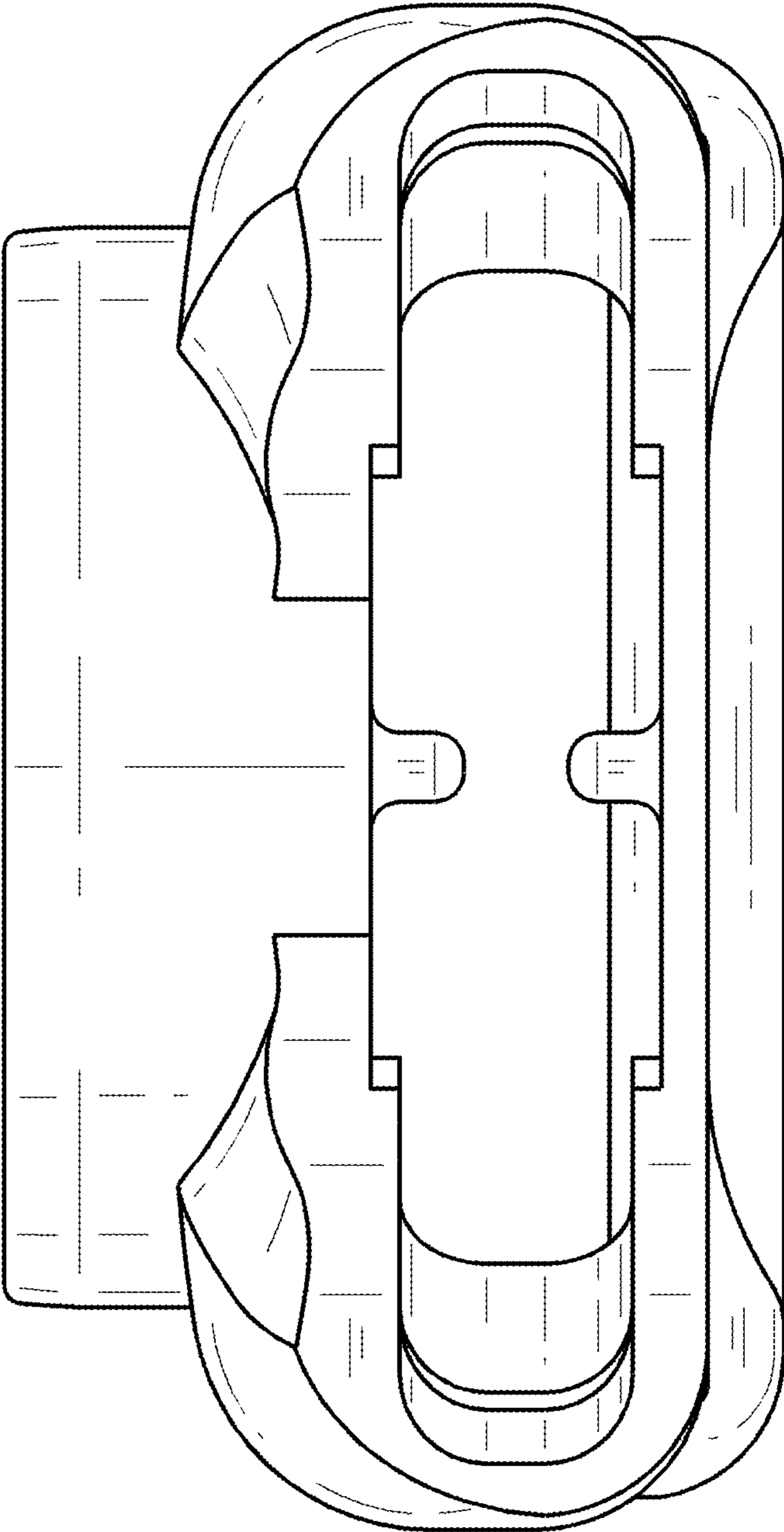


Fig. 6

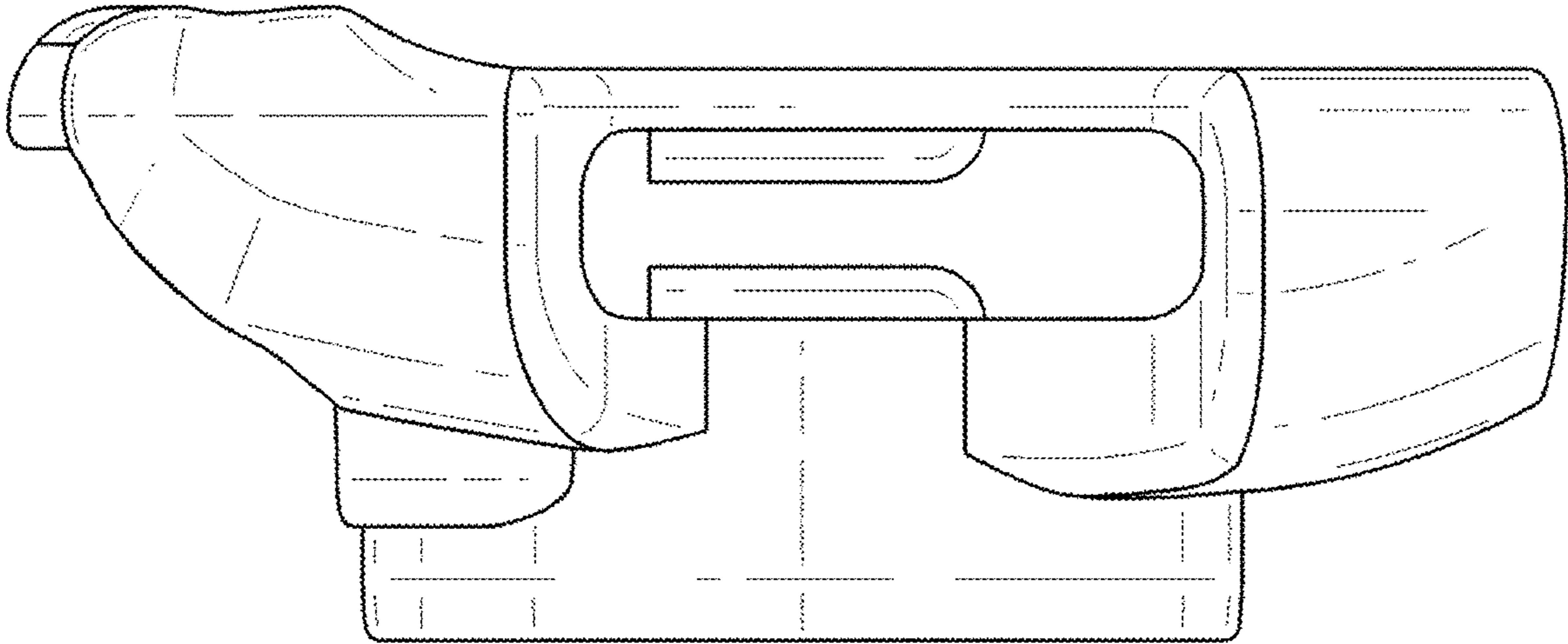


Fig. 7

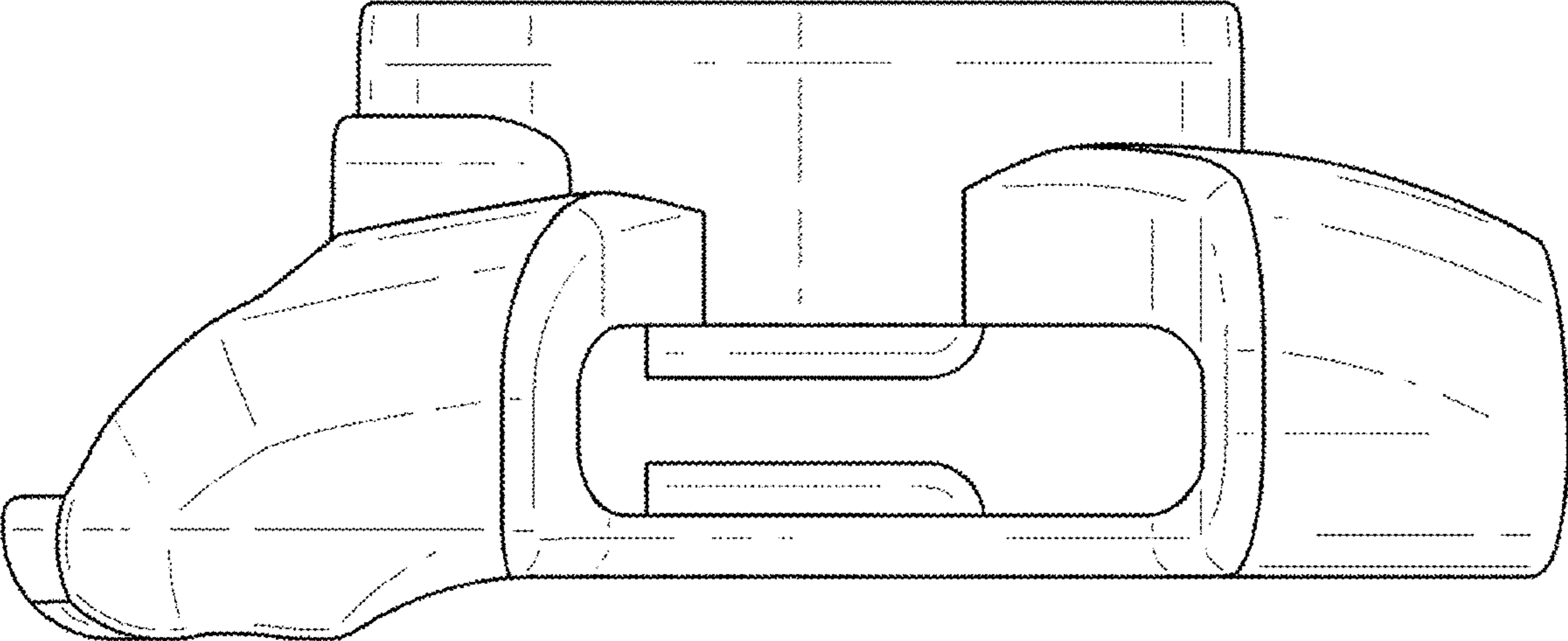


Fig. 8

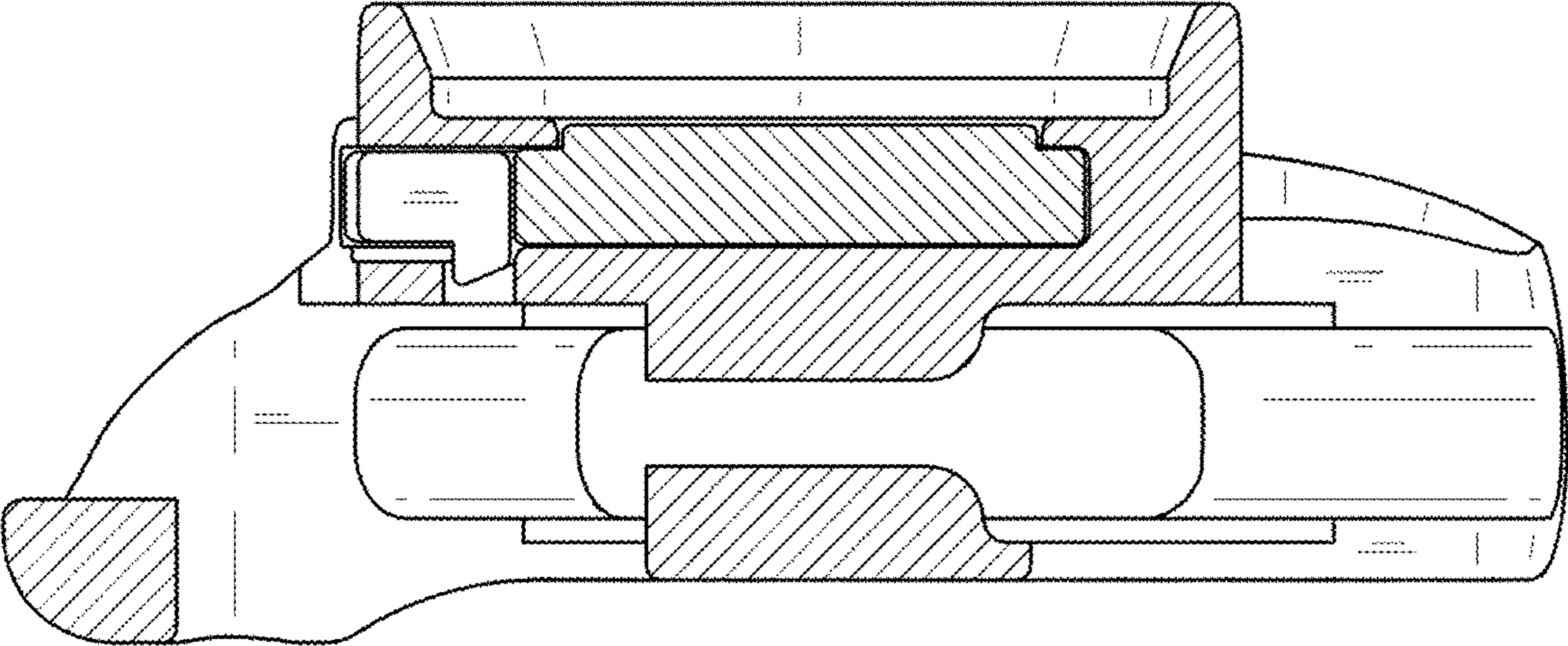


Fig. 9

