



US00D888609S

(12) **United States Design Patent**
Templeton

(10) **Patent No.:** **US D888,609 S**
(45) **Date of Patent:** **** Jun. 30, 2020**

- (54) **BUCKLE**
- (71) Applicant: **Gordon Templeton, Winnipeg (CA)**
- (72) Inventor: **Gordon Templeton, Winnipeg (CA)**
- (**) Term: **15 Years**
- (21) Appl. No.: **29/639,746**
- (22) Filed: **Mar. 8, 2018**
- (51) **LOC (12) Cl.** **02-07**
- (52) **U.S. Cl.**
USPC **D11/216**
- (58) **Field of Classification Search**
USPC D2/624, 626, 627, 633, 639, 640, 853,
D2/923; D3/24, 213, 215, 216, 230;
D8/14, 331, 343, 349, 356, 358, 359, 360,
D8/363, 366, 371, 382, 394, 395;
D10/32, 38; D11/1, 2, 3, 12, 16, 86, 87,
D11/93, 200, 201, 206-210, 212-218,
D11/229-237; D12/195, 416;
D29/100-101.5, 122, 129, 130; D30/139,
D30/152, 153
CPC A44B 11/00; A44B 11/02; A44B 11/04;
A44B 11/05; A44B 11/06; A44B 11/10;
A44B 11/14; A44B 11/18; A44B 11/22;
A44B 11/25; A44B 11/26; A44B 11/125;
A44B 11/223; A44B 11/001; A44B
11/005; A44B 11/006; A44B 11/2503;
A44B 11/2507; A44B 11/2526; A44B
11/2553; A44B 11/2592; A41F 1/008;
A41F 9/002; A41F 9/007; A41F 11/06;
B60R 22/30; B60R 22/32; B60R 22/022;
B60R 2022/1806; B60R 2022/1812;
B60R 2022/281; B65D 63/16; A62B
35/00
See application file for complete search history.

- (56) **References Cited**
U.S. PATENT DOCUMENTS
6,965,231 B1 * 11/2005 Cinoglu A61B 5/0555
324/300
8,181,319 B2 * 5/2012 Johnson A44B 11/253
24/648

- D702,594 S * 4/2014 Lin D11/216
- D703,580 S * 4/2014 Lin D11/216
- 9,521,882 B2 * 12/2016 Hung A44B 11/2511
- 9,578,929 B2 * 2/2017 Hung A44B 11/2511
- 2006/0048350 A1 * 3/2006 Coulombe A44B 11/253
24/634
- 2006/0048351 A1 * 3/2006 Casebolt A44B 11/253
24/634
- 2012/0124790 A1 * 5/2012 Richards A44B 11/2519
24/593.1

(Continued)

FOREIGN PATENT DOCUMENTS

- CA RGN-180060 * 1/2019
- WO 2012-H97870 * 7/2012
- WO 2019-535998 * 6/2019

Primary Examiner — Kevin K Rudzinski
Assistant Examiner — Richard Kearney
 (74) *Attorney, Agent, or Firm* — Ryan W. Dupuis; Ade & Company Inc; Kyle R. Satterthwaite

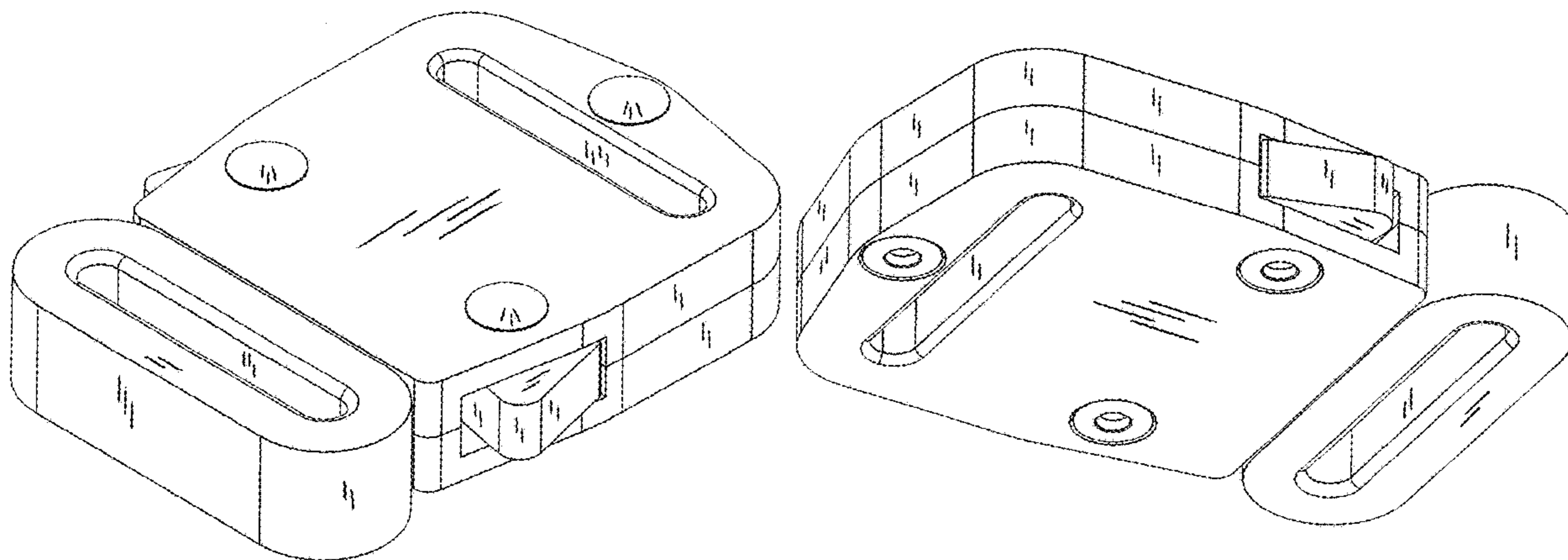
(57) **CLAIM**

The ornamental design for a buckle, as shown and described.

DESCRIPTION

FIG. 1 is a perspective view of the buckle, showing a top, a front, and a right-hand side of the buckle.
 FIG. 2 is a perspective view of the buckle, showing a bottom, a rear, and a left-hand side of the buckle.
 FIG. 3 is a top plan view of the buckle.
 FIG. 4 is a front elevational view of the buckle.
 FIG. 5 is a rear elevational view of the buckle.
 FIG. 6 is a right-hand side elevational view of the buckle.
 FIG. 7 is a left-hand side elevational view of the buckle; and,
 FIG. 8 is a bottom plan view of the buckle.

1 Claim, 3 Drawing Sheets



(56)

References Cited

U.S. PATENT DOCUMENTS

2019/0116939 A1* 4/2019 Porto A44B 11/266
2020/0022463 A1* 1/2020 Templeton A44B 11/2592

* cited by examiner

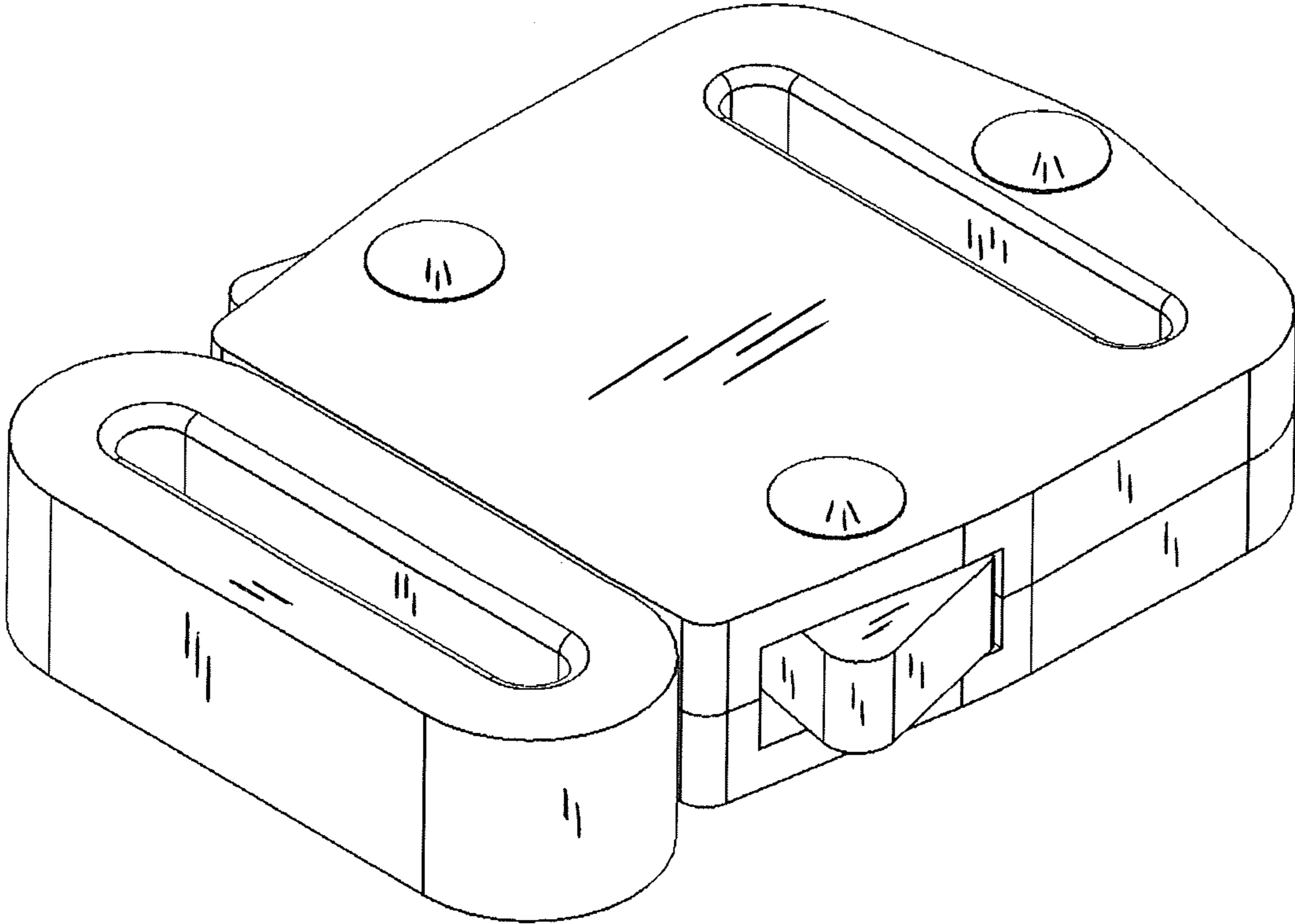


FIG. 1

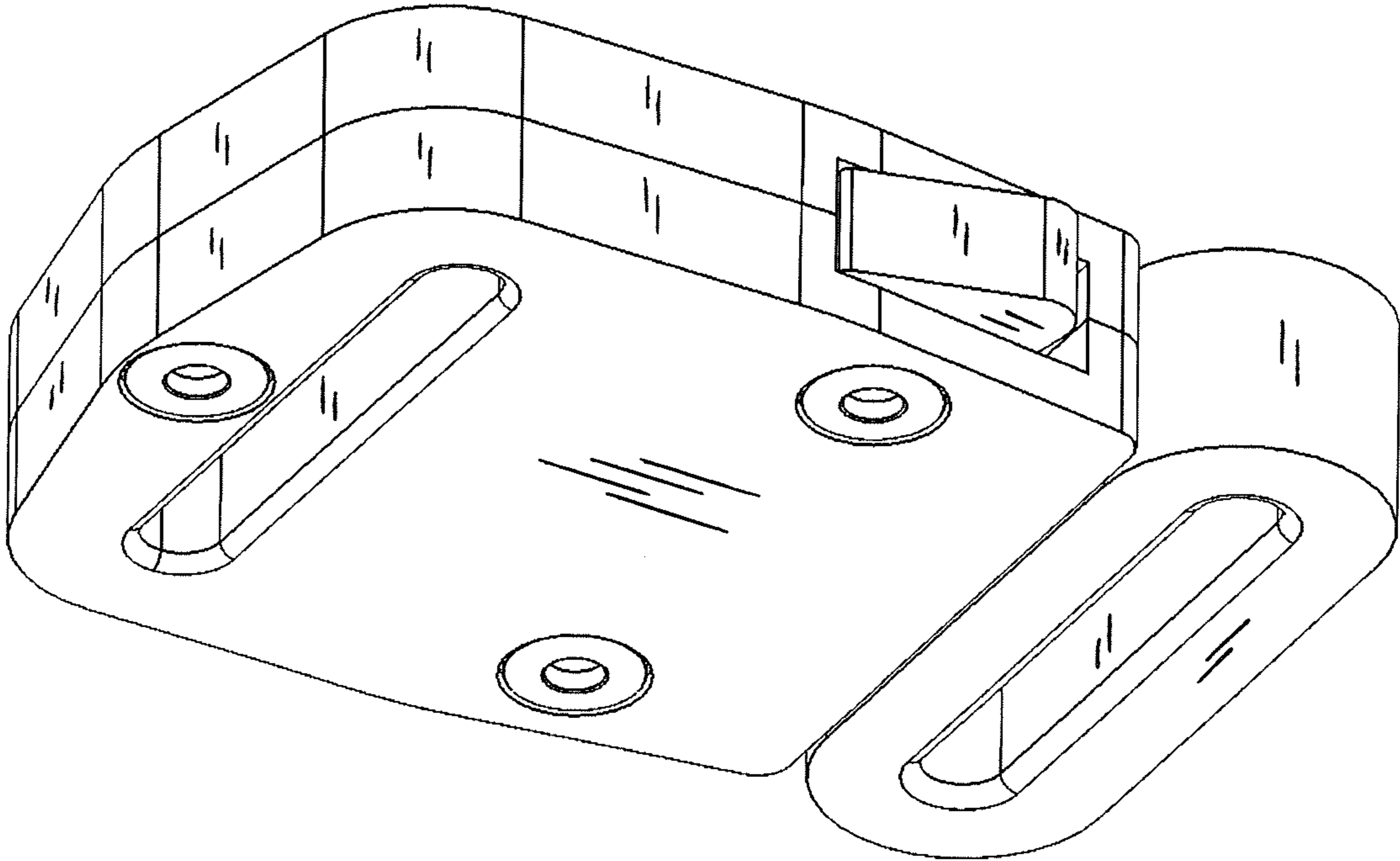


FIG. 2

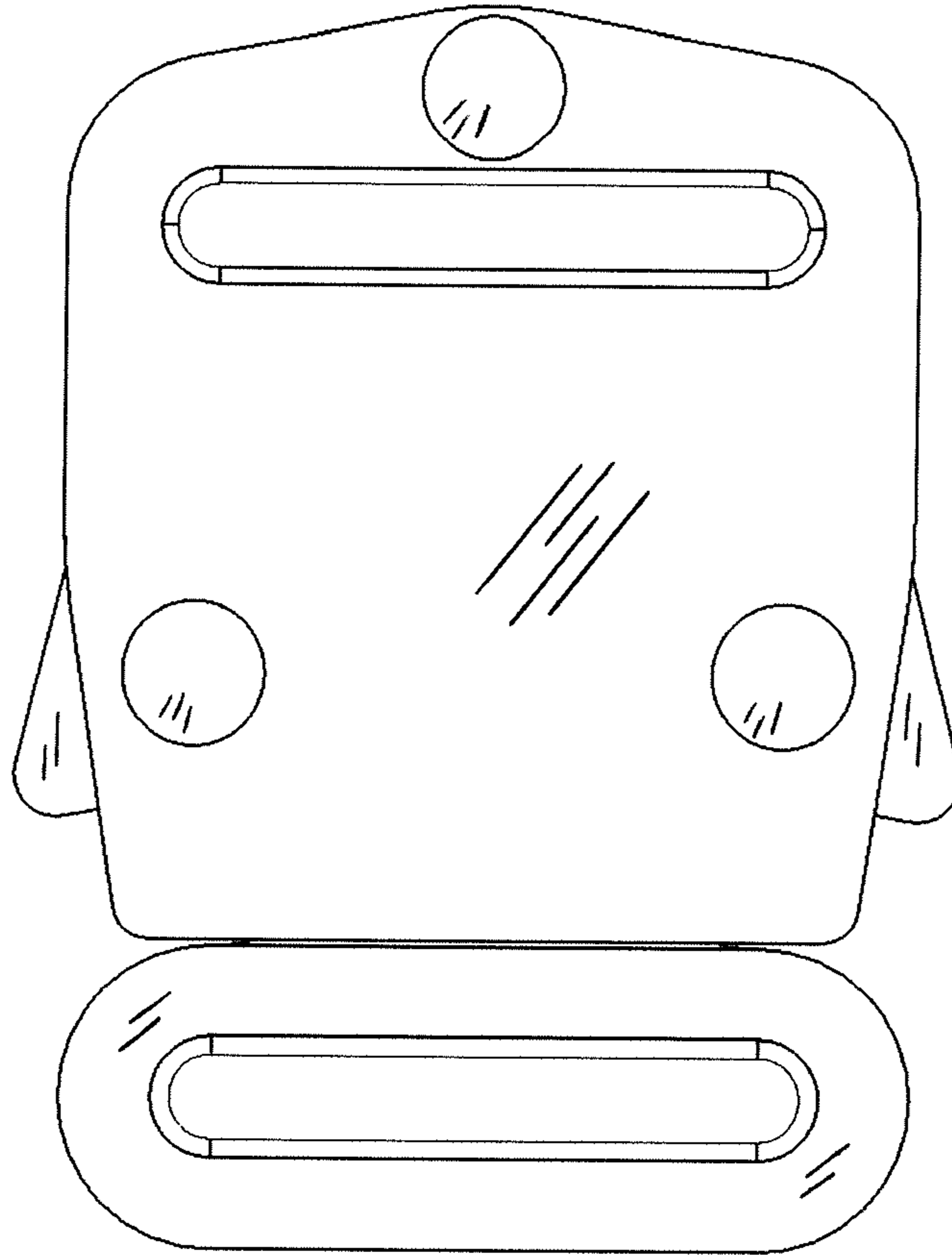


FIG. 3

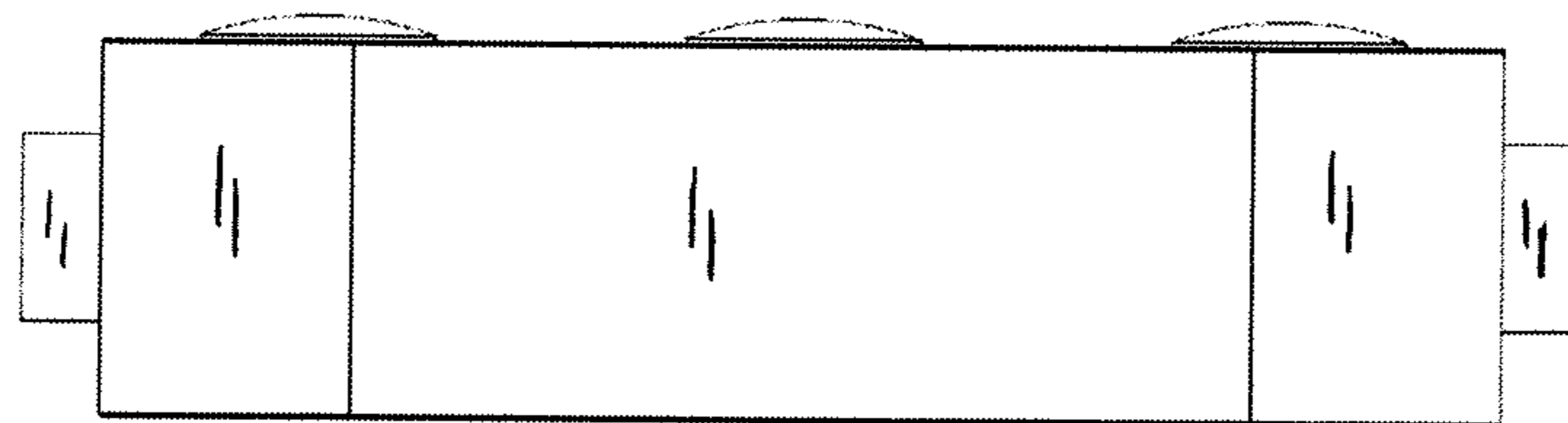


FIG. 4

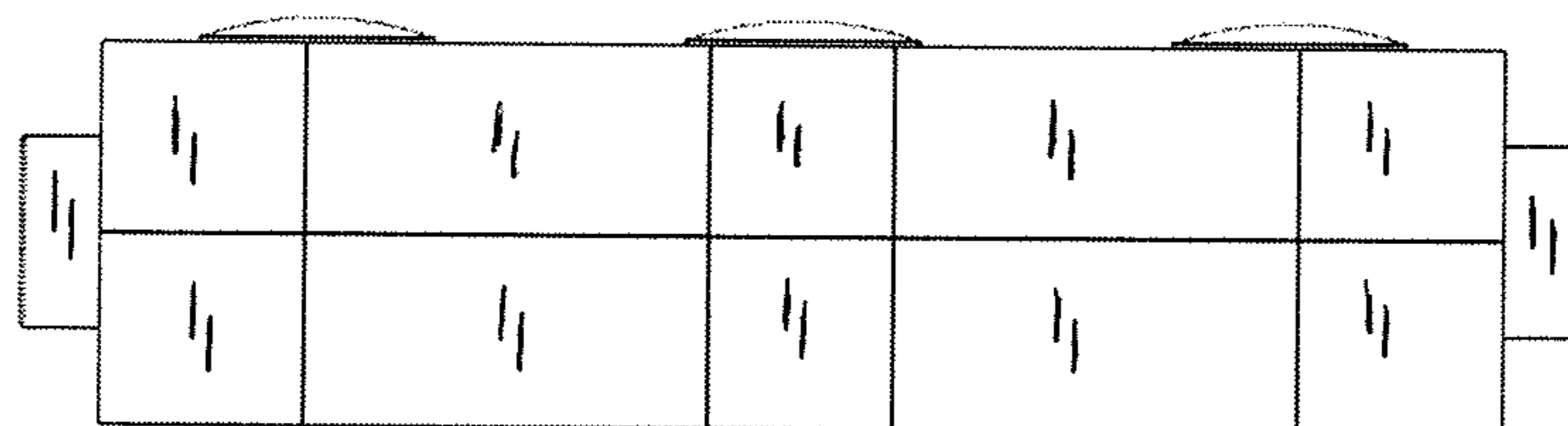


FIG. 5

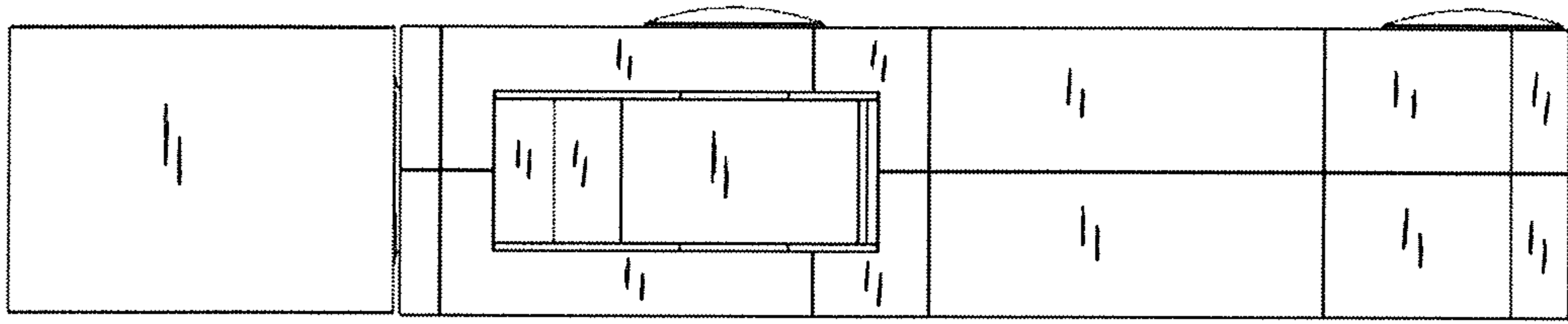


FIG. 6

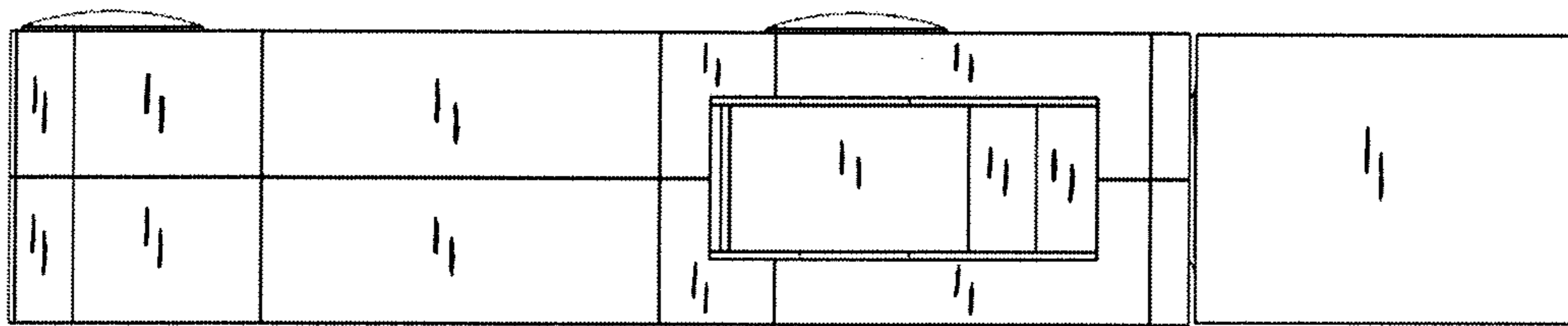


FIG. 7

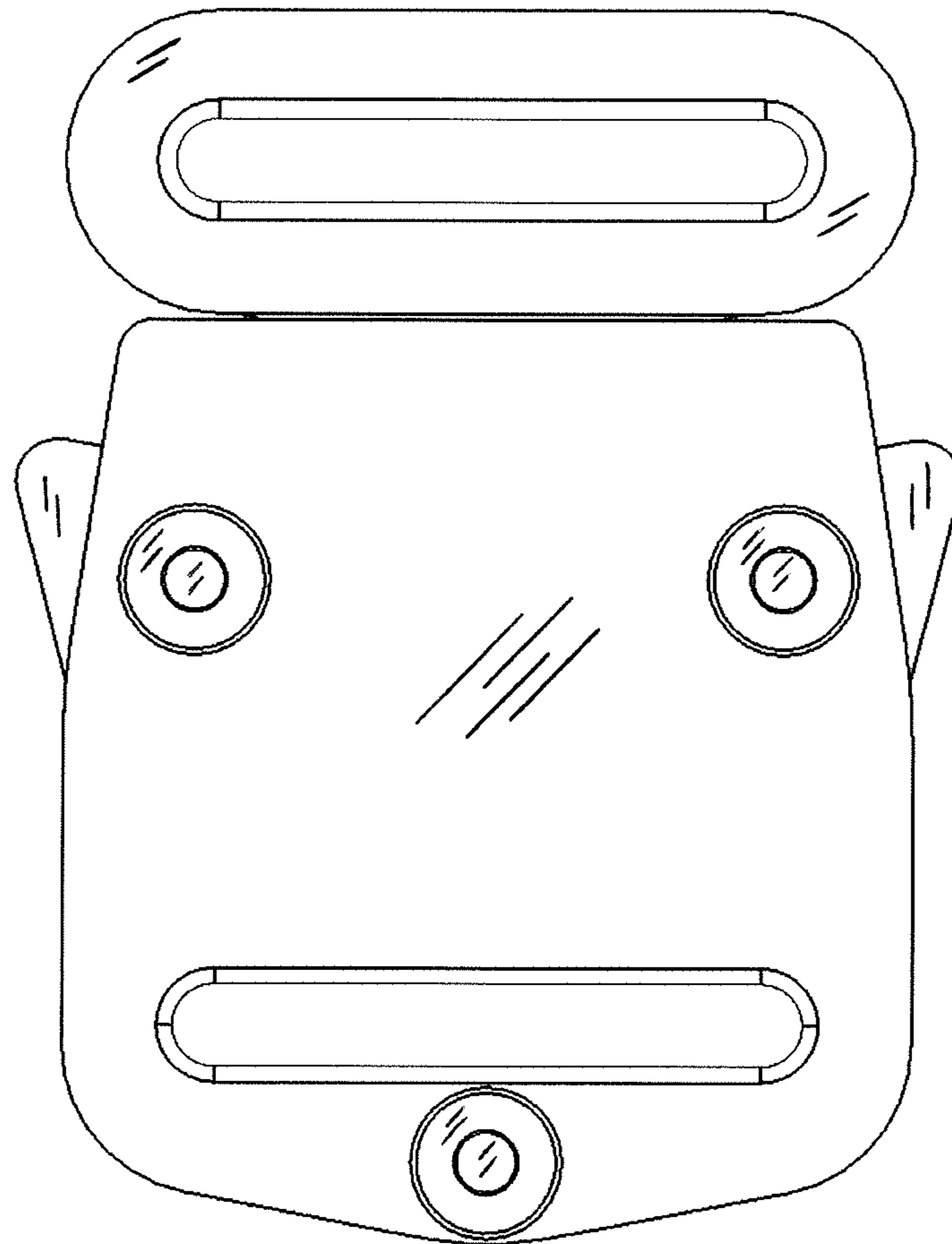


FIG. 8