



US00D888604S

(12) **United States Design Patent**
Calle et al.

(10) **Patent No.:** **US D888,604 S**
(45) **Date of Patent:** **** Jun. 30, 2020**

- (54) **POCKET FOR EARTH WALL** 5,064,090 A * 11/1991 Farrier A47J 47/18
220/482
- (71) Applicants: **Jon Calle**, Pottstown, PA (US); **Sean O'Donnell**, Glenmoore, PA (US) D326,552 S * 5/1992 Goodell D3/312
D327,560 S * 6/1992 Hradisky D3/307
D348,128 S * 6/1994 Craft D32/37
D350,423 S * 9/1994 Craft, Jr. D32/37
5,417,338 A * 5/1995 Roy B65F 1/006
220/23.4
- (72) Inventors: **Jon Calle**, Pottstown, PA (US); **Sean O'Donnell**, Glenmoore, PA (US) D359,850 S * 7/1995 Staubitz D3/314
D360,116 S * 7/1995 Fillipp D11/164
5,445,397 A * 8/1995 Evans B62B 1/10
206/505
- (73) Assignee: **SJ Hardscape Enterprises LLC**, Pottstown, PA (US) D370,701 S * 6/1996 Thomsen D21/493
- (**) Term: **15 Years** (Continued)

(21) Appl. No.: **29/667,146**

FOREIGN PATENT DOCUMENTS

(22) Filed: **Oct. 18, 2018**

DE 102010024555 A1 12/2011
EP 2399449 A2 12/2011

Related U.S. Application Data

(Continued)

(63) Continuation of application No. 15/954,992, filed on Apr. 17, 2018.

Primary Examiner — Elizabeth A. Albert

(51) **LOC (12) Cl.** **11-02**

(74) *Attorney, Agent, or Firm* — BakerHostetler

(52) **U.S. Cl.**
USPC **D11/155**

(57) **CLAIM**

(58) **Field of Classification Search**
USPC D3/304, 309; D6/403–405, 556–558,
D6/512, 672, 675, 675.1, 717; D7/640,
D7/641; D9/500, 549, 428, 532, 907;
D11/143–156, 164

We claim the ornamental design for a pocket for earth wall, as shown and described.

CPC A01G 9/02; A01G 9/021; A01G 9/022;
A01G 9/025; A01G 9/026; A01G 9/028;
A01G 9/029; A01G 9/0291; A01G
9/0293; A01G 9/0295; A01G 9/0297;
A01G 9/0299; A01G 9/04; A01G 9/045

DESCRIPTION

See application file for complete search history.

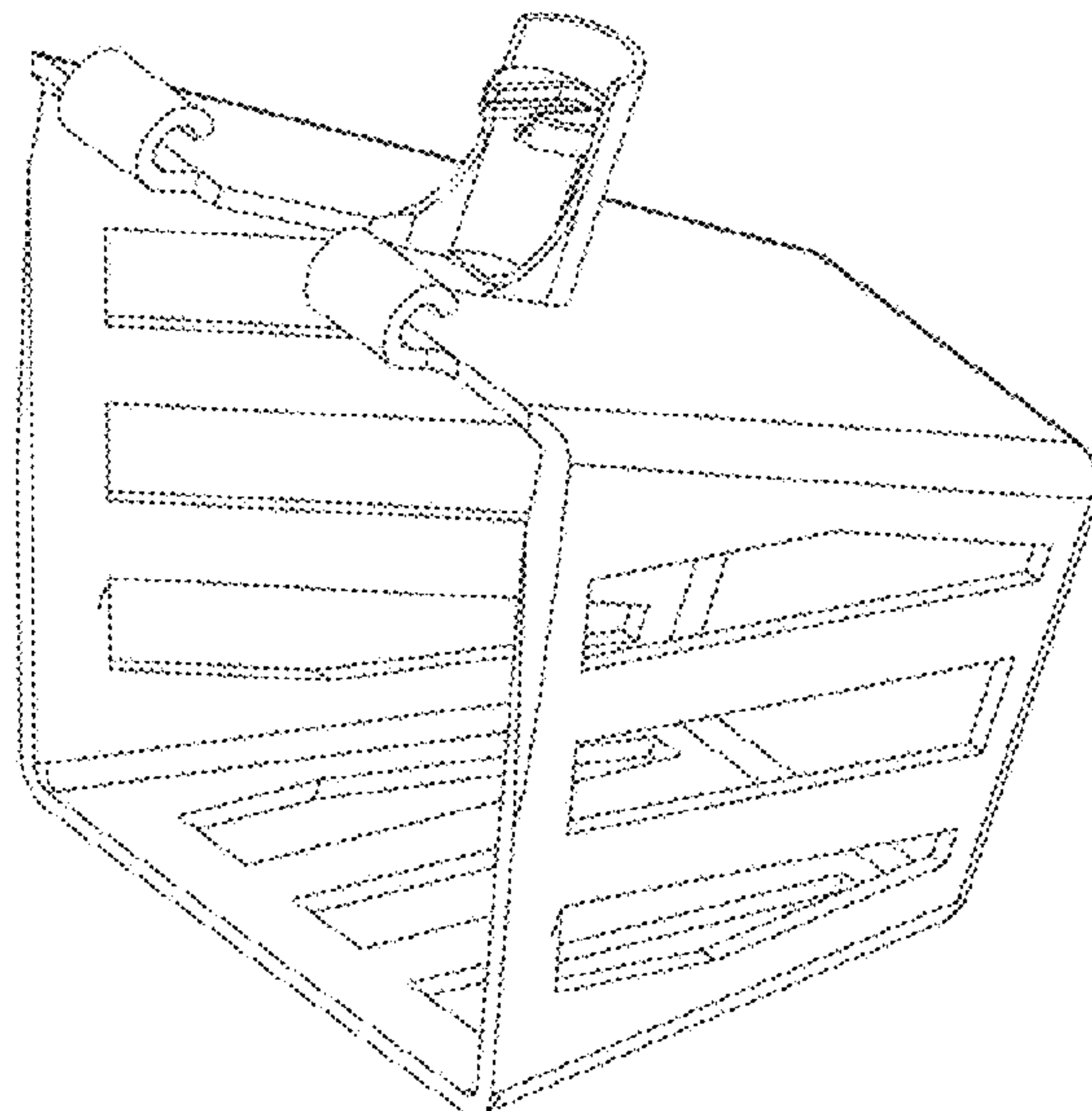
FIG. 1 is a top perspective view of a pocket for earth wall according to our new design;
FIG. 2 is a side perspective view thereof;
FIG. 3 is another top perspective view thereof, taken opposite to the view of FIG. 1;
FIG. 4 is a front view thereof;
FIG. 5 is a rear view thereof;
FIG. 6 is a first side view thereof;
FIG. 7 is a second side view thereof, taken opposite the first side view of FIG. 6;
FIG. 8 is a top view thereof; and,
FIG. 9 is a bottom view thereof.

(56) **References Cited**

U.S. PATENT DOCUMENTS

4,329,089 A 5/1982 Hilifker et al.
D290,179 S * 6/1987 Peltola D3/309
D315,757 S * 3/1991 Klitsner D21/536

1 Claim, 4 Drawing Sheets



(56)

References Cited

U.S. PATENT DOCUMENTS

5,647,695 A 7/1997 Hilfiker et al.
 5,878,908 A * 3/1999 Foley A47G 19/2266
 220/501
 5,947,643 A 9/1999 Anderson et al.
 5,951,209 A 9/1999 Anderson et al.
 D438,010 S * 2/2001 Drury D3/307
 D459,077 S * 6/2002 Krivulin D3/307
 D466,013 S * 11/2002 Nance D7/590
 D564,758 S * 3/2008 Drury D3/304
 D581,670 S * 12/2008 Neilsen D3/304
 D602,667 S * 10/2009 Barbieri D34/1
 D603,197 S * 11/2009 Hrovat D3/304
 D606,313 S * 12/2009 Neilsen D3/304
 D681,334 S * 5/2013 Goodell D3/312
 8,479,444 B2 7/2013 Mesiara
 8,683,744 B2 4/2014 Chang
 D724,481 S * 3/2015 Blouin D11/155
 D730,079 S * 5/2015 Lee D6/556
 D820,722 S * 6/2018 Shaffer D11/155

2007/0251144 A1 11/2007 Cooley
 2010/0095586 A1 4/2010 Sichelto
 2010/0325953 A1 12/2010 Chang
 2011/0025704 A1 2/2011 Odland et al.
 2011/0146150 A1 6/2011 Lyron
 2011/0252704 A1 10/2011 Cho
 2011/0311318 A1 12/2011 Taylor
 2012/0272573 A1 11/2012 Hashimoto
 2013/0333286 A1 12/2013 Billingsley
 2014/0100854 A1 4/2014 Chen et al.
 2015/0026579 A1 1/2015 Vaya
 2016/0050856 A1 2/2016 Shah
 2016/0262316 A1 9/2016 Woolbright
 2018/0295791 A1 10/2018 Calle et al.
 2019/0150373 A1* 5/2019 Calle A01G 9/025

FOREIGN PATENT DOCUMENTS

EP 2692225 A1 2/2014
 KR 10-0650638 B1 11/2006

* cited by examiner

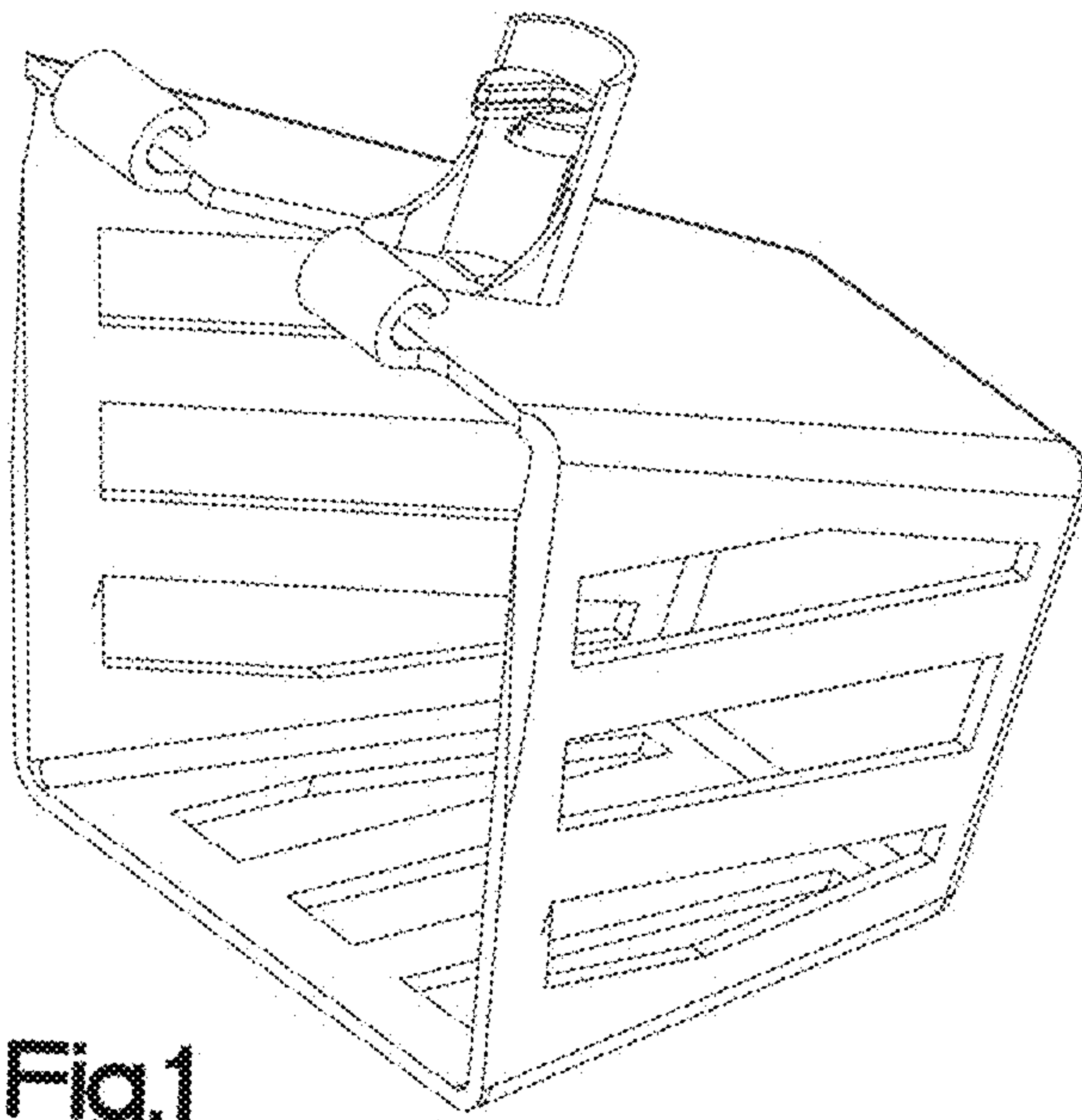


Fig.1

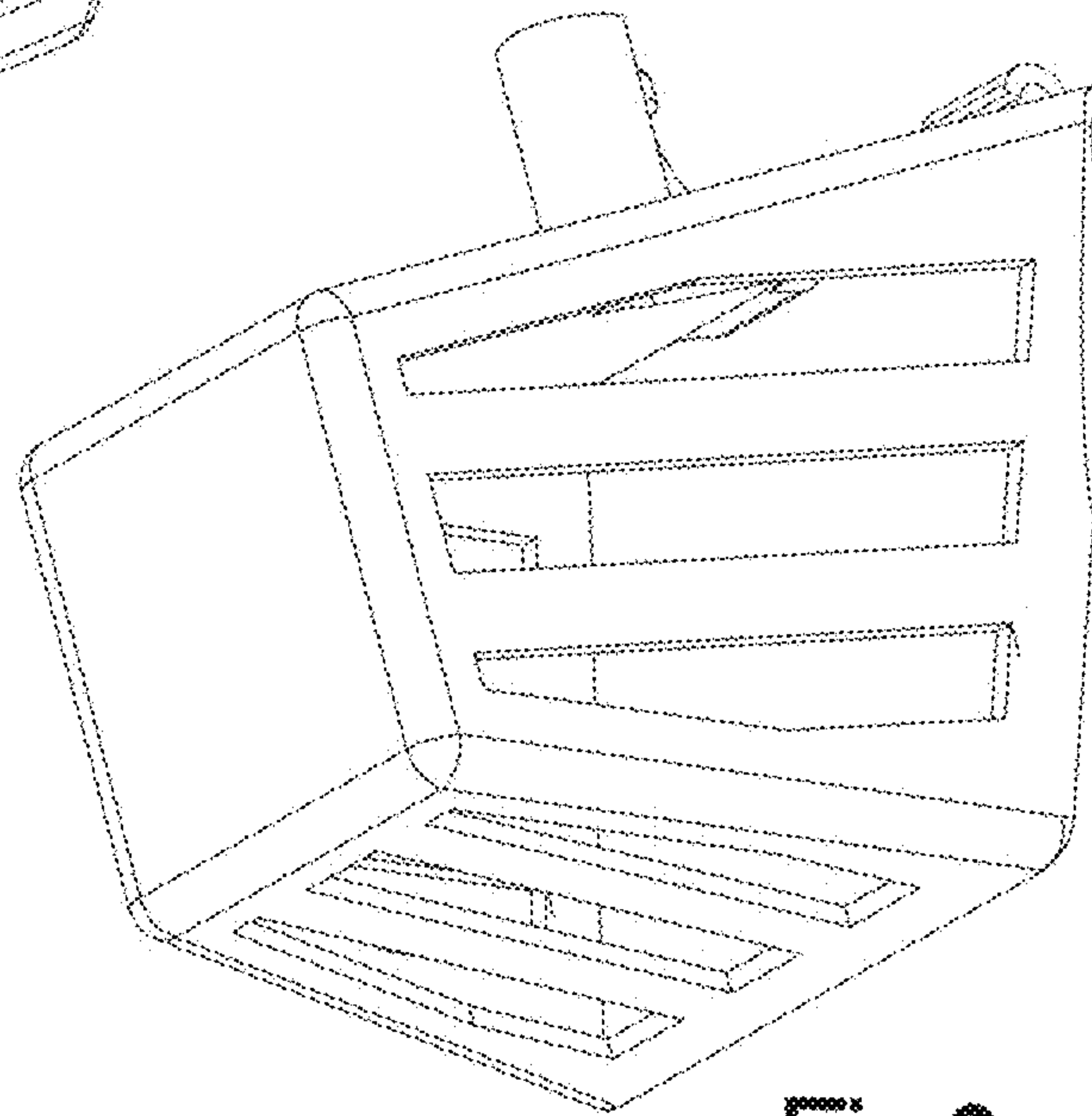


Fig.2

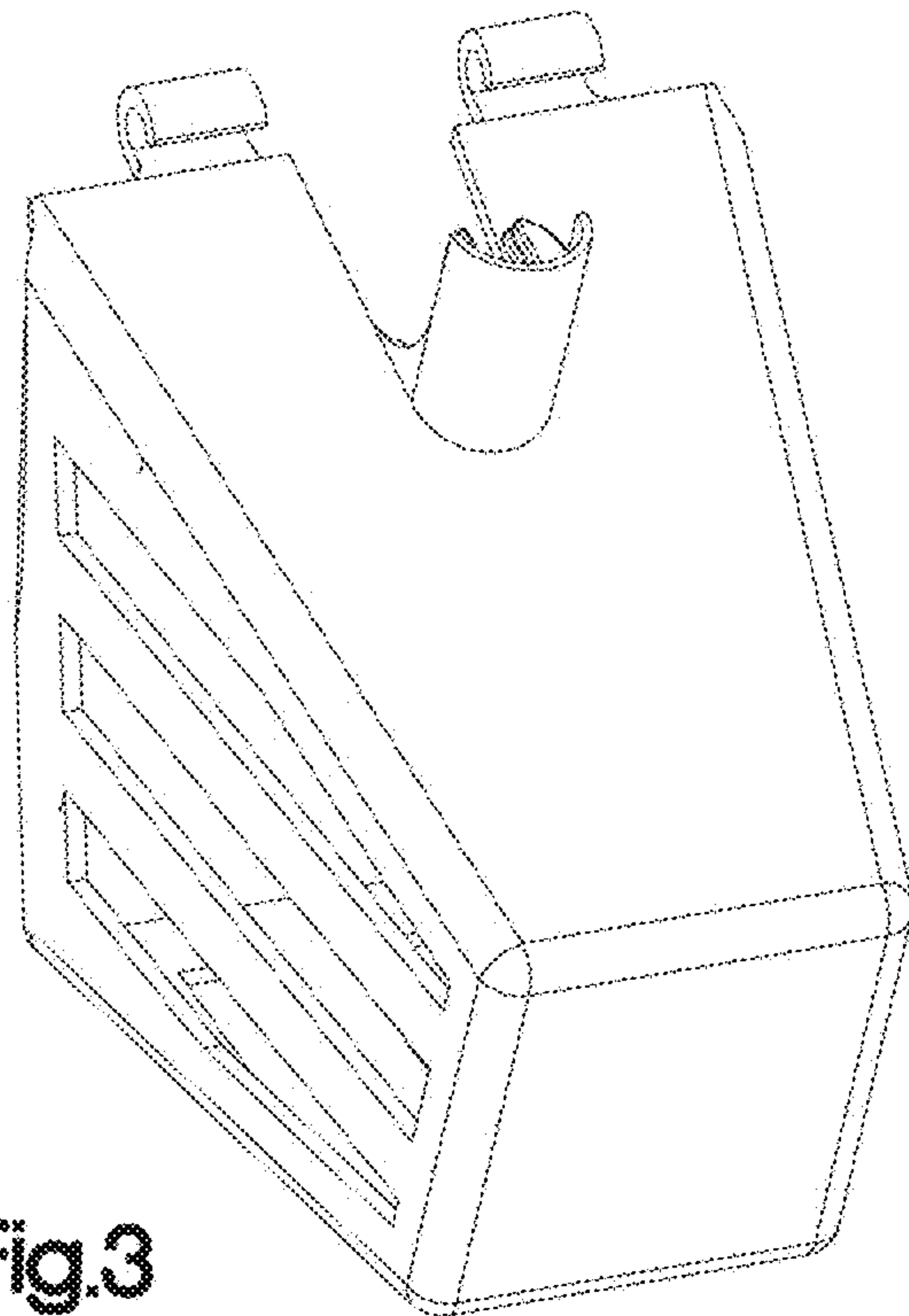


Fig.3

Fig.4

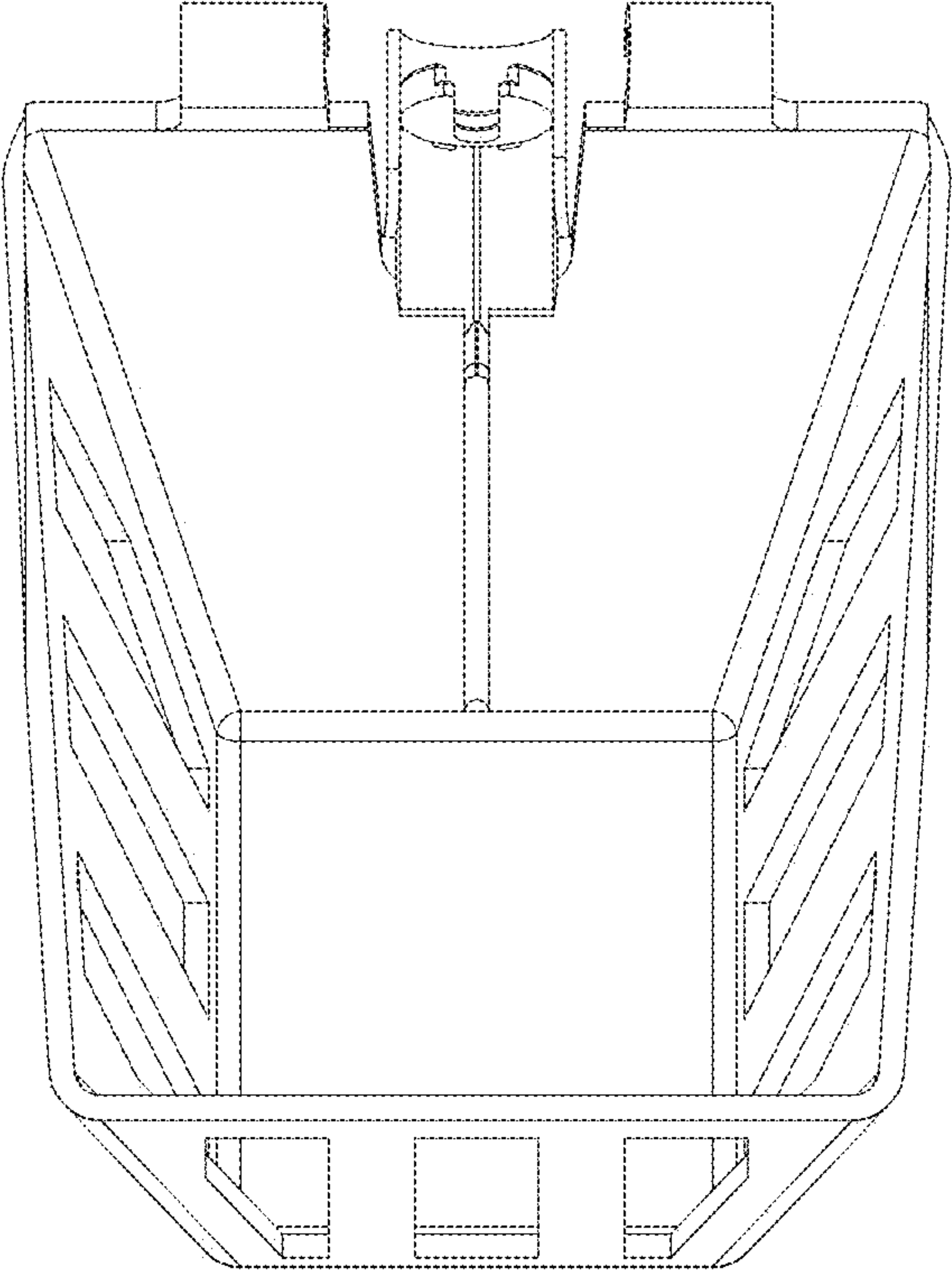
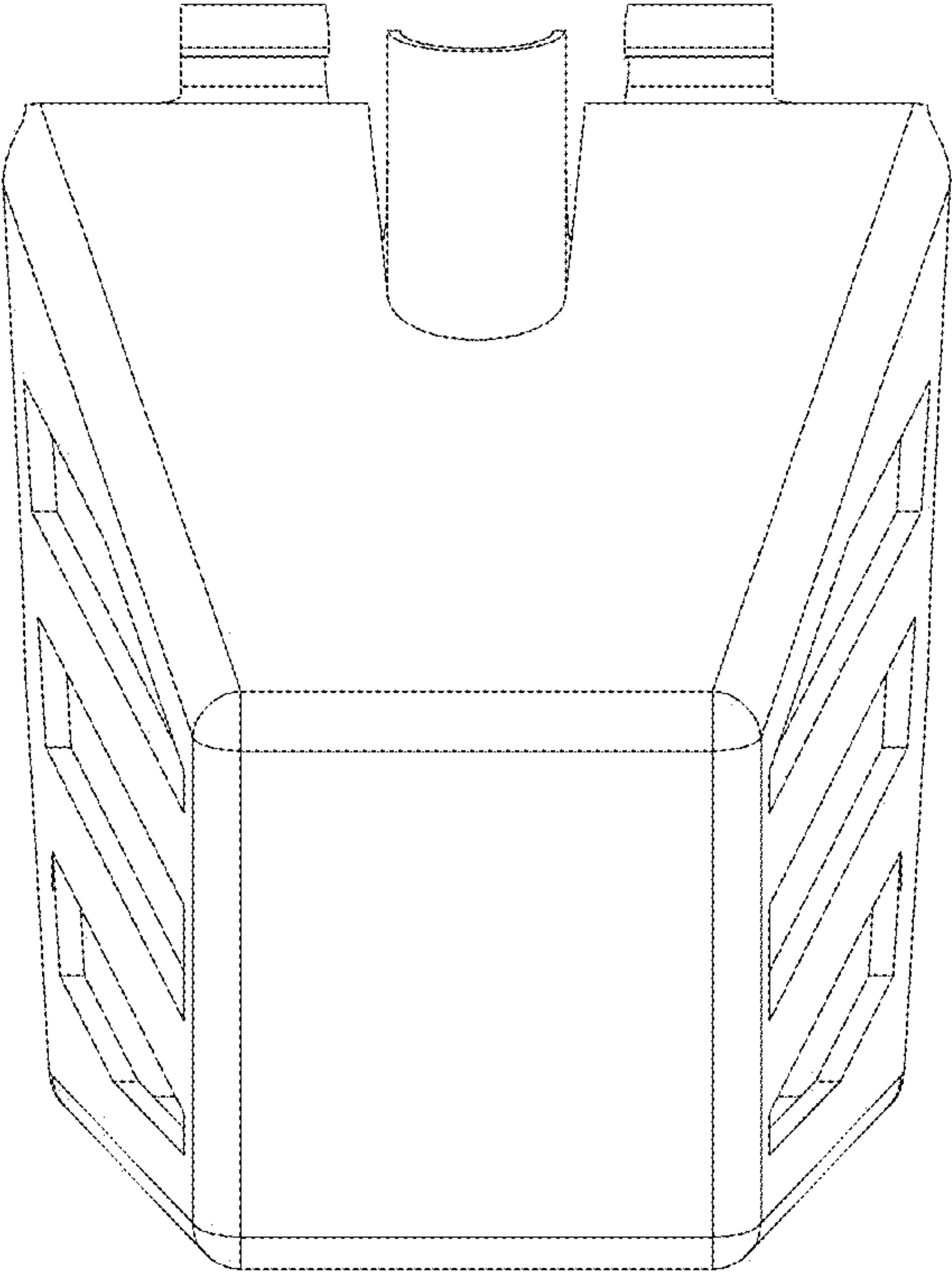


Fig.5



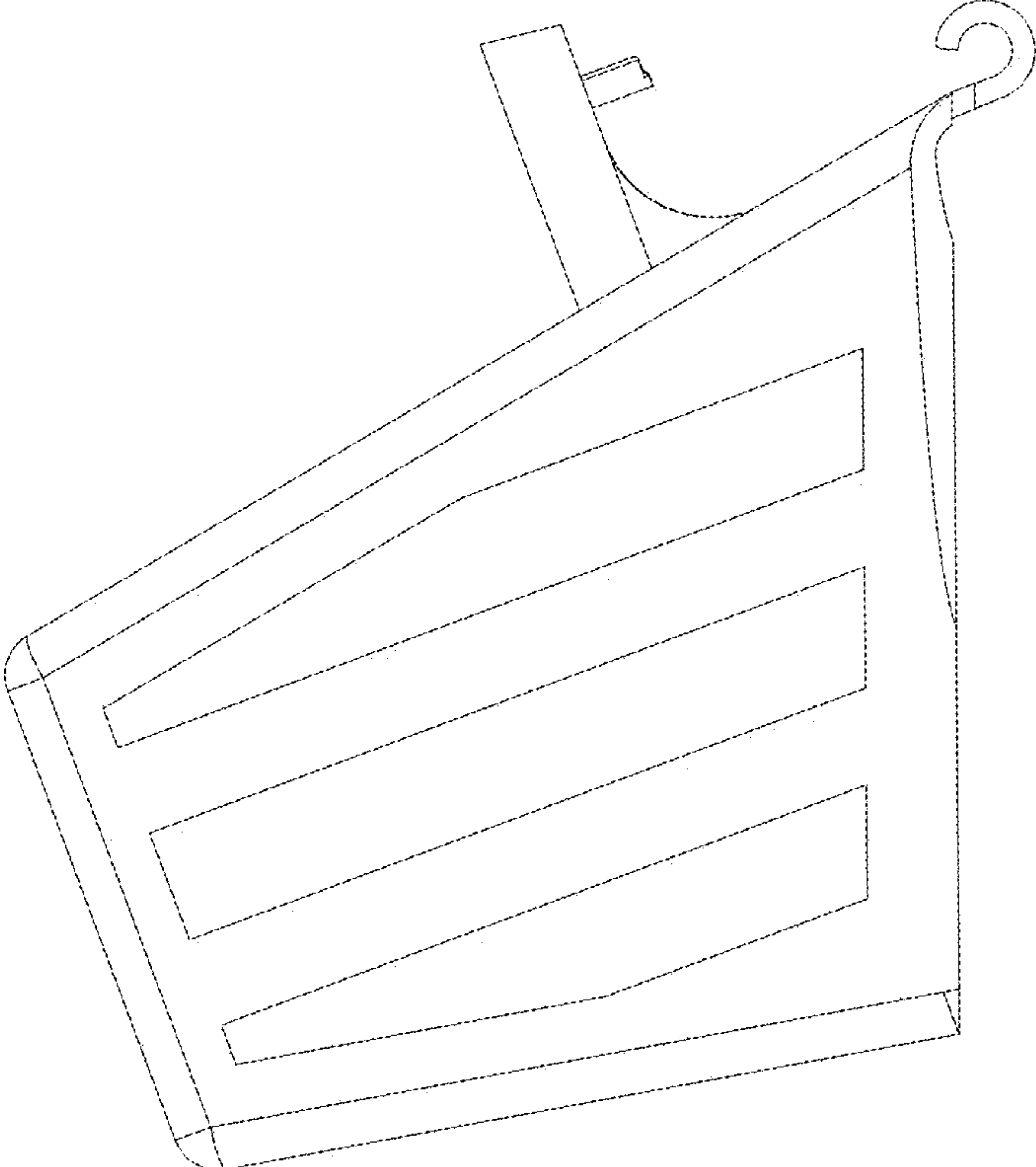


Fig.6

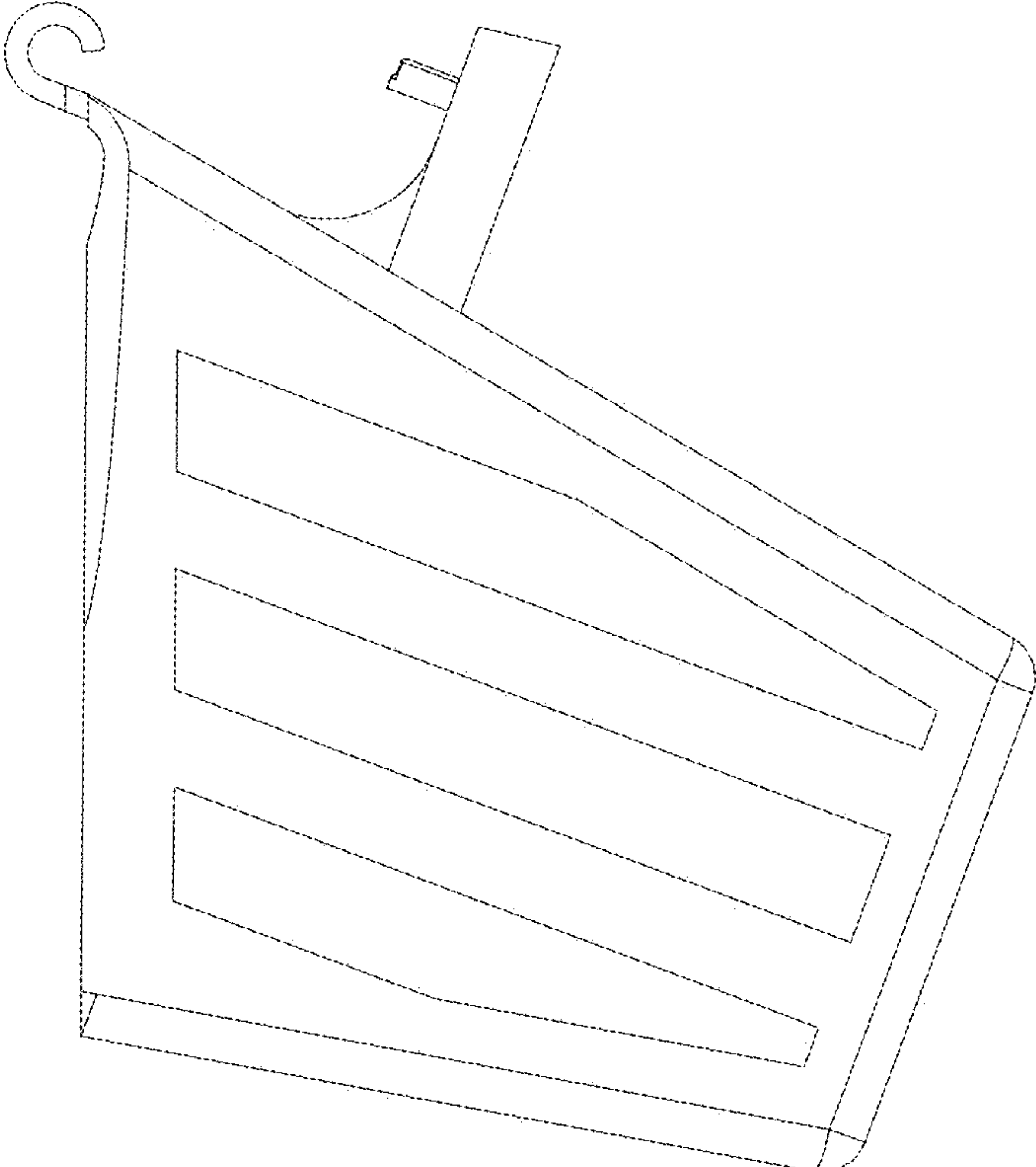


Fig.7

Fig.8

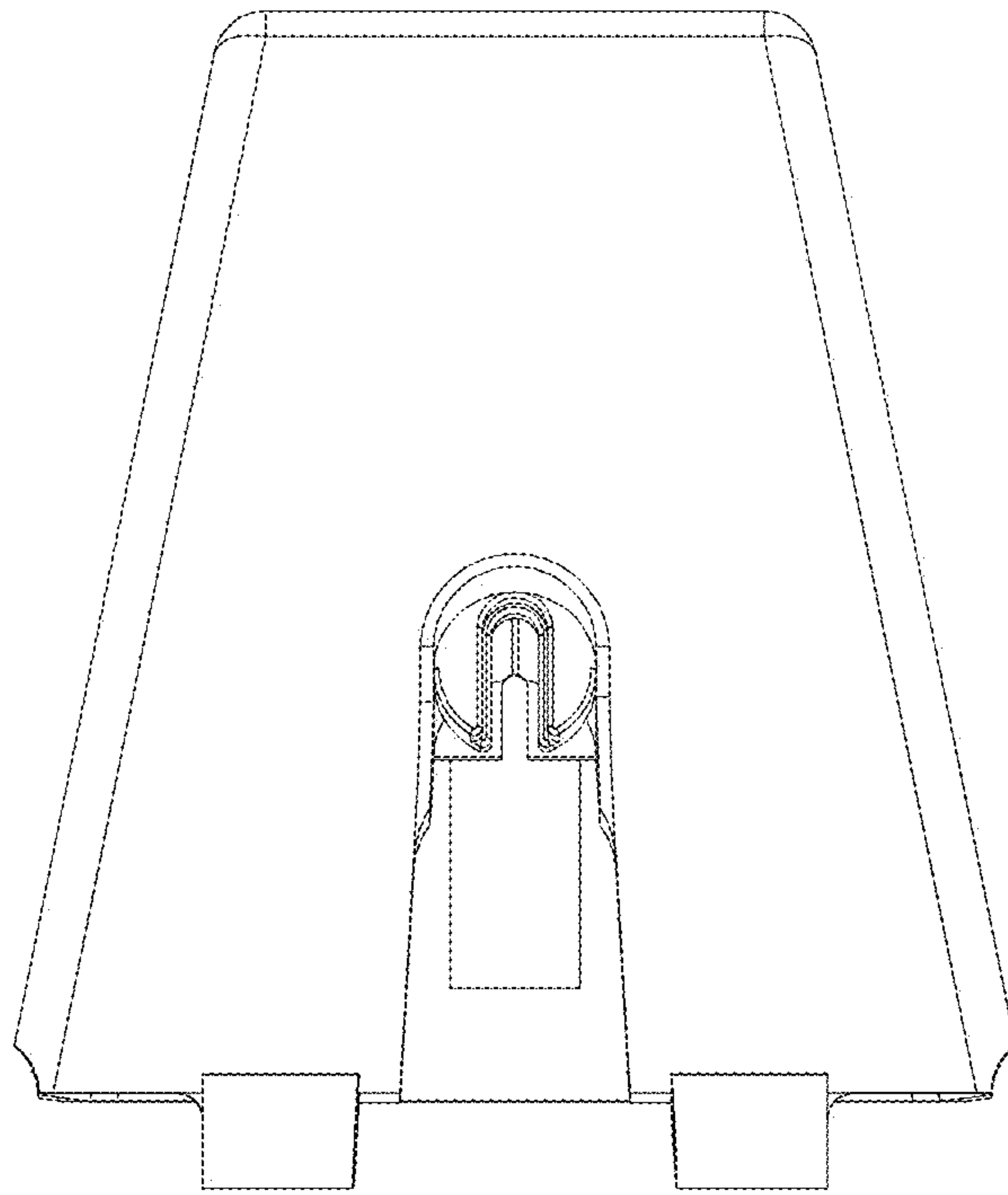


Fig.9

