



US00D888603S

(12) **United States Design Patent**  
**Tong**

(10) **Patent No.:** **US D888,603 S**

(45) **Date of Patent:** **\*\* Jun. 30, 2020**

(54) **PLANT GROWING UNIT**

(71) Applicant: **Dongguan Fengfan Electron Tech Co., Ltd, Dongguan (CN)**

(72) Inventor: **ZiRan Tong, Dongguan (CN)**

(\*\*) Term: **15 Years**

(21) Appl. No.: **29/729,213**

(22) Filed: **Mar. 25, 2020**

(51) **LOC (12) Cl.** ..... **11-02**

(52) **U.S. Cl.**  
USPC ..... **D11/144**

(58) **Field of Classification Search**  
USPC ..... D11/143–156, 164; D3/304; D6/403, D6/404, 405; D7/550.1  
CPC ... A47G 7/00; A47G 7/02; A47G 7/04; A47G 7/06; A47G 7/08; A01G 9/02; A01G 9/021; A01G 9/029; A01G 9/0293; A01G 9/047; A01G 9/24; A01G 5/04  
See application file for complete search history.

(56) **References Cited**

**U.S. PATENT DOCUMENTS**

D26,849 S *	3/1897	Bell	.....	D32/53
3,042,247 A *	7/1962	Bonnet	.....	B65D 11/00 220/366.1
D244,838 S *	6/1977	LeBreux	.....	D11/144
D332,926 S *	2/1993	Grant	.....	D11/149
D356,754 S *	3/1995	Schmidt	.....	D11/143
D362,780 S *	10/1995	Hampshire	.....	D6/525
D373,329 S *	9/1996	Sellers	.....	D11/164
D379,891 S *	6/1997	Hampshire	.....	D6/525
D385,213 S *	10/1997	McAllister	.....	D11/156
D386,007 S *	11/1997	Eckhardt	.....	D11/131
D388,993 S *	1/1998	Hampshire	.....	D6/567
D416,102 S *	11/1999	Schulman	.....	D11/144
D428,829 S *	8/2000	Grosfillex	.....	D11/152
D439,545 S *	3/2001	Grosfillex	.....	D11/152

D483,587 S *	12/2003	Snell	.....	D6/525
D512,255 S *	12/2005	Snell	.....	D6/567
D572,168 S *	7/2008	Kurtz	.....	
D586,689 S *	2/2009	Gallagher	.....	
D588,496 S *	3/2009	White	.....	D11/156
D604,197 S *	11/2009	Bissonnette	.....	D11/144
D634,669 S *	3/2011	Brandstätter	.....	
D645,738 S *	9/2011	Shiffer	.....	D9/425
8,261,486 B2 *	9/2012	Bissonnette	.....	A01G 27/003 47/59 R
D694,102 S *	11/2013	Bellamah	.....	D9/424
D706,671 S *	6/2014	Thuma	.....	D11/152
D713,284 S *	9/2014	Prinster	.....	A01G 31/02 D11/143
D729,115 S *	5/2015	Prinster	.....	D11/144
D760,118 S *	6/2016	Lepp	.....	D11/142
D781,069 S *	3/2017	Marshall	.....	D6/553
D792,808 S *	7/2017	Verneuil	.....	D11/144

(Continued)

*Primary Examiner* — Elizabeth A. Albert

(74) *Attorney, Agent, or Firm* — HYIP

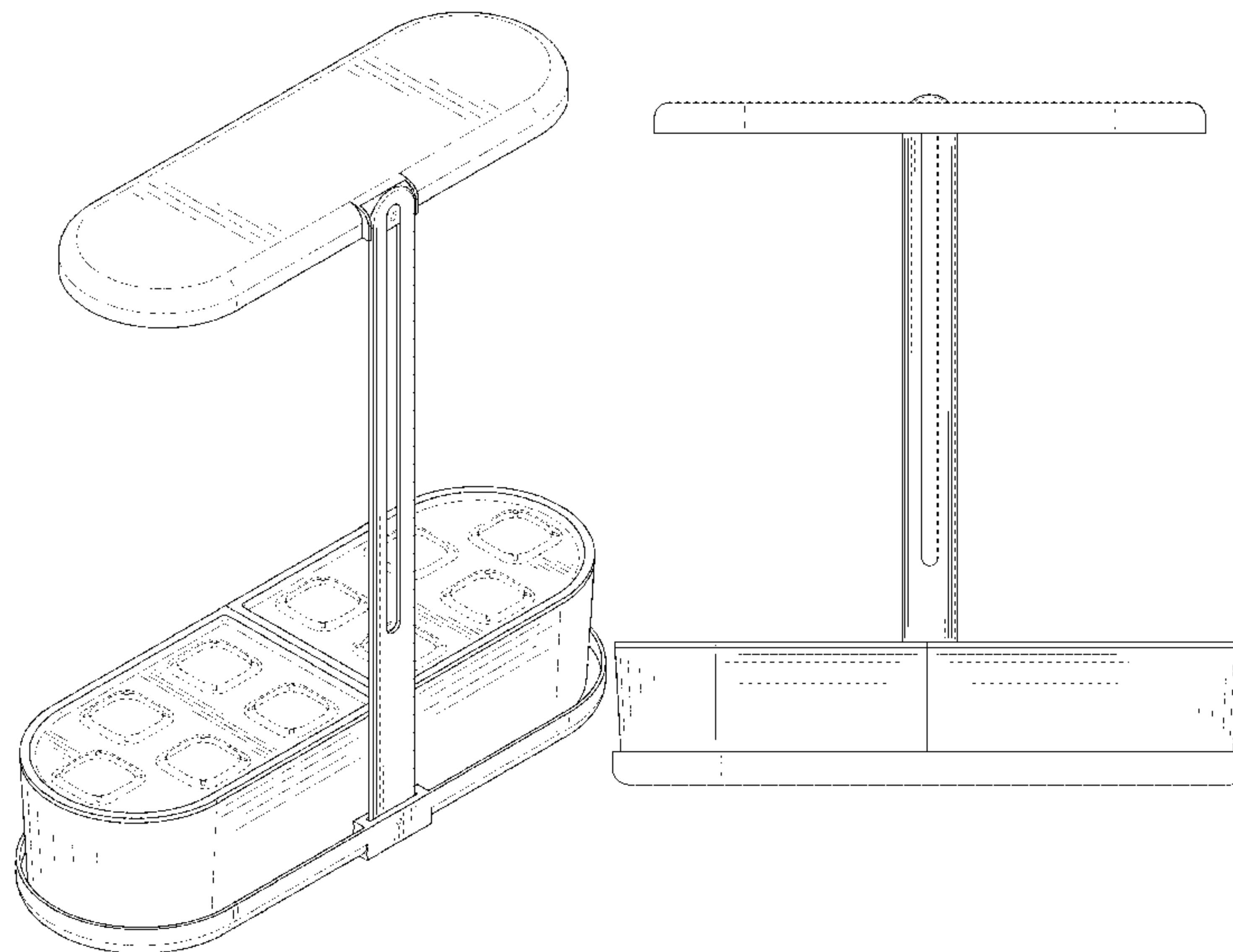
(57) **CLAIM**

The ornamental design for a plant growing unit, as shown and described.

**DESCRIPTION**

FIG. 1 is a first perspective view of a plant growing unit showing my new design;  
FIG. 2 is a second perspective view thereof;  
FIG. 3 is a front view thereof;  
FIG. 4 is a back view thereof;  
FIG. 5 is a left side view thereof;  
FIG. 6 is a right side view thereof;  
FIG. 7 is a top view thereof;  
FIG. 8 is a bottom view thereof; and,  
FIG. 9 is an exploded perspective view thereof.  
The broken lines shown in the drawings depict portions of the plant growing unit that form no part of the claimed design.

**1 Claim, 9 Drawing Sheets**



(56)

**References Cited**

U.S. PATENT DOCUMENTS

D840,076 S \* 2/2019 Hart ..... D26/55  
D846,802 S \* 4/2019 Nicoline ..... D28/9  
D864,016 S \* 10/2019 Woltz ..... D11/143  
2006/0272210 A1 \* 12/2006 Bissonnette ..... A01G 31/02  
47/69  
2019/0200541 A1 \* 7/2019 Park ..... A01G 9/042  
2020/0053969 A1 \* 2/2020 Gehin ..... A01G 24/44  
2020/0068809 A1 \* 3/2020 Ko ..... A01G 9/249

\* cited by examiner

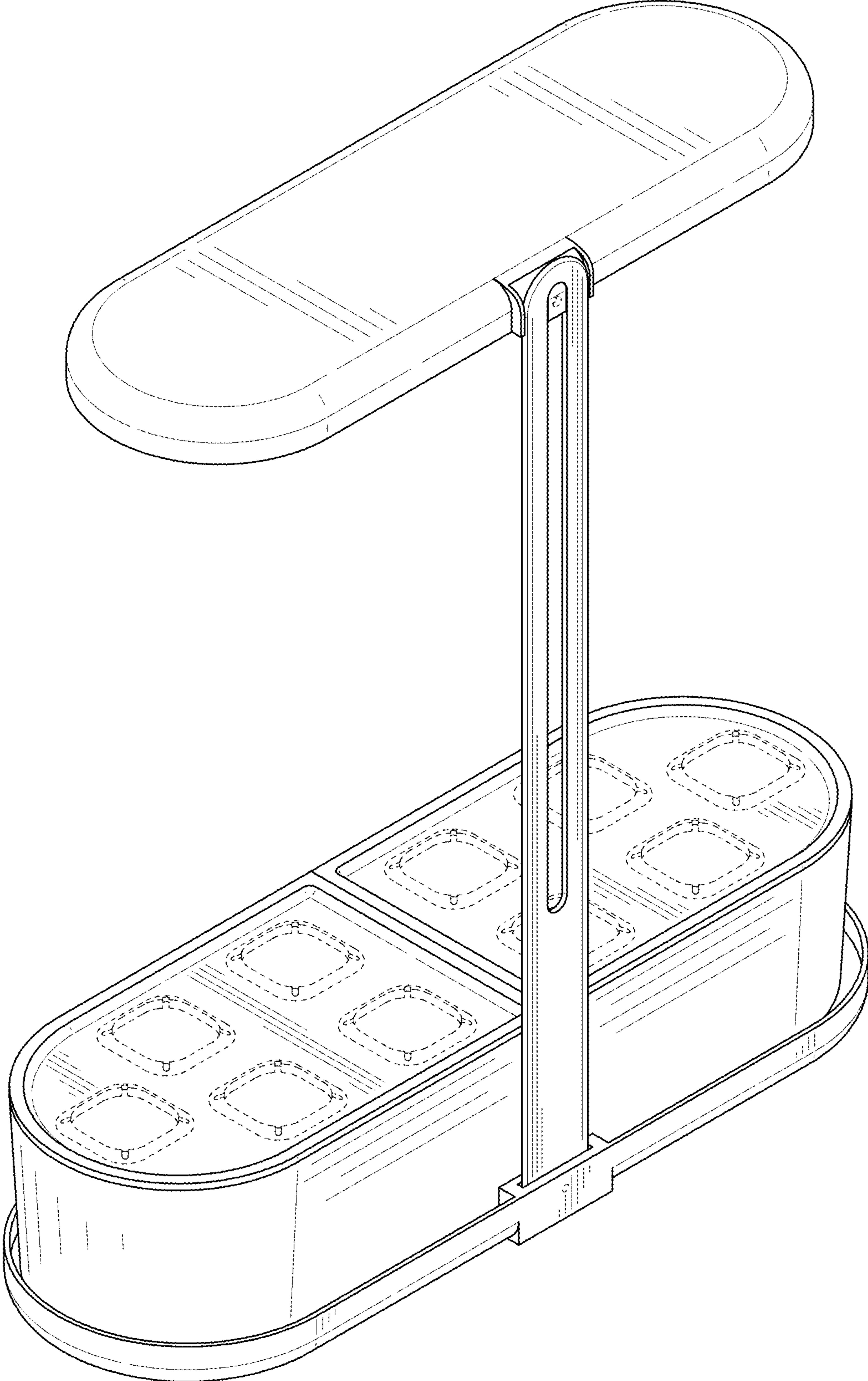


FIG. 1

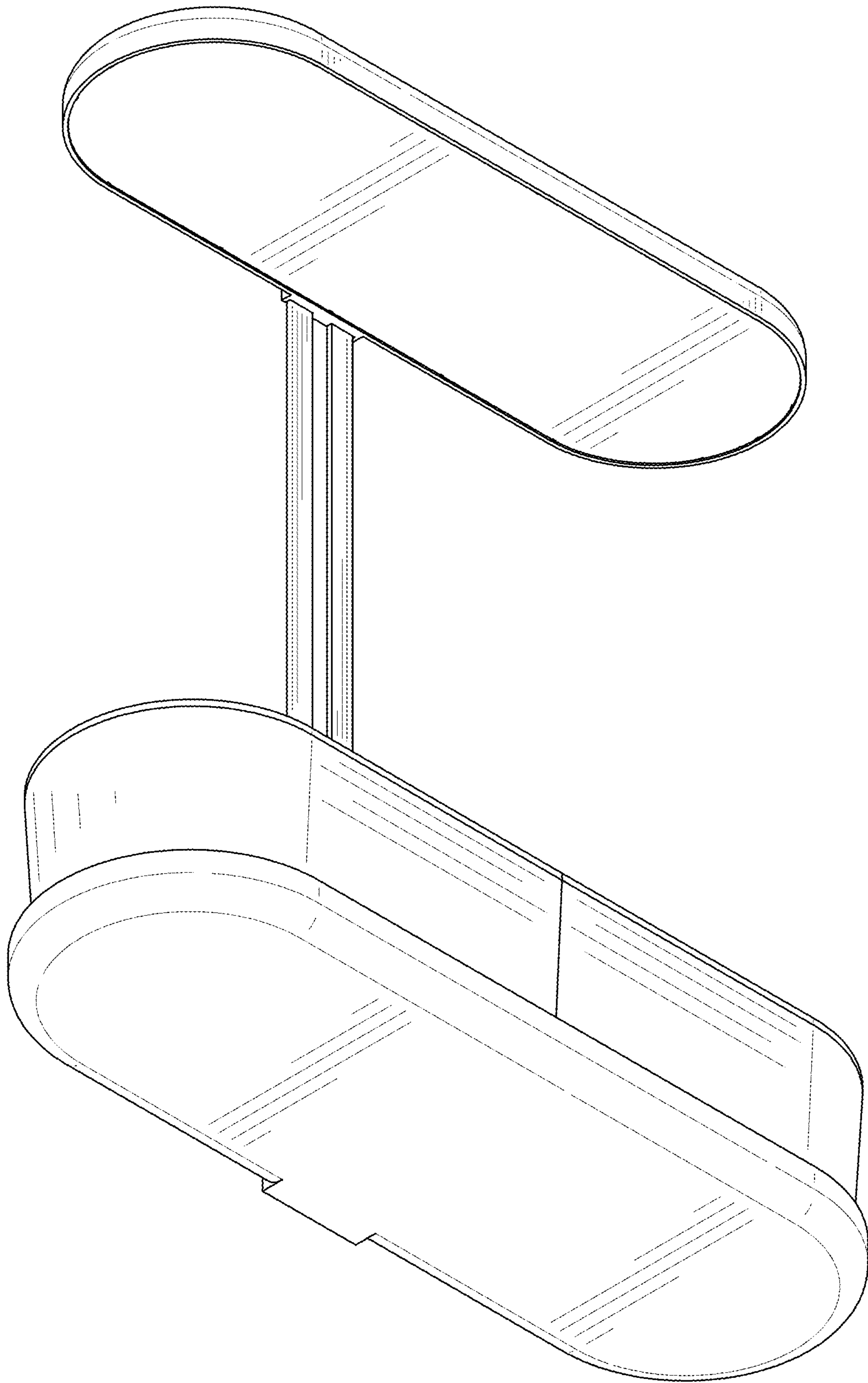


FIG. 2



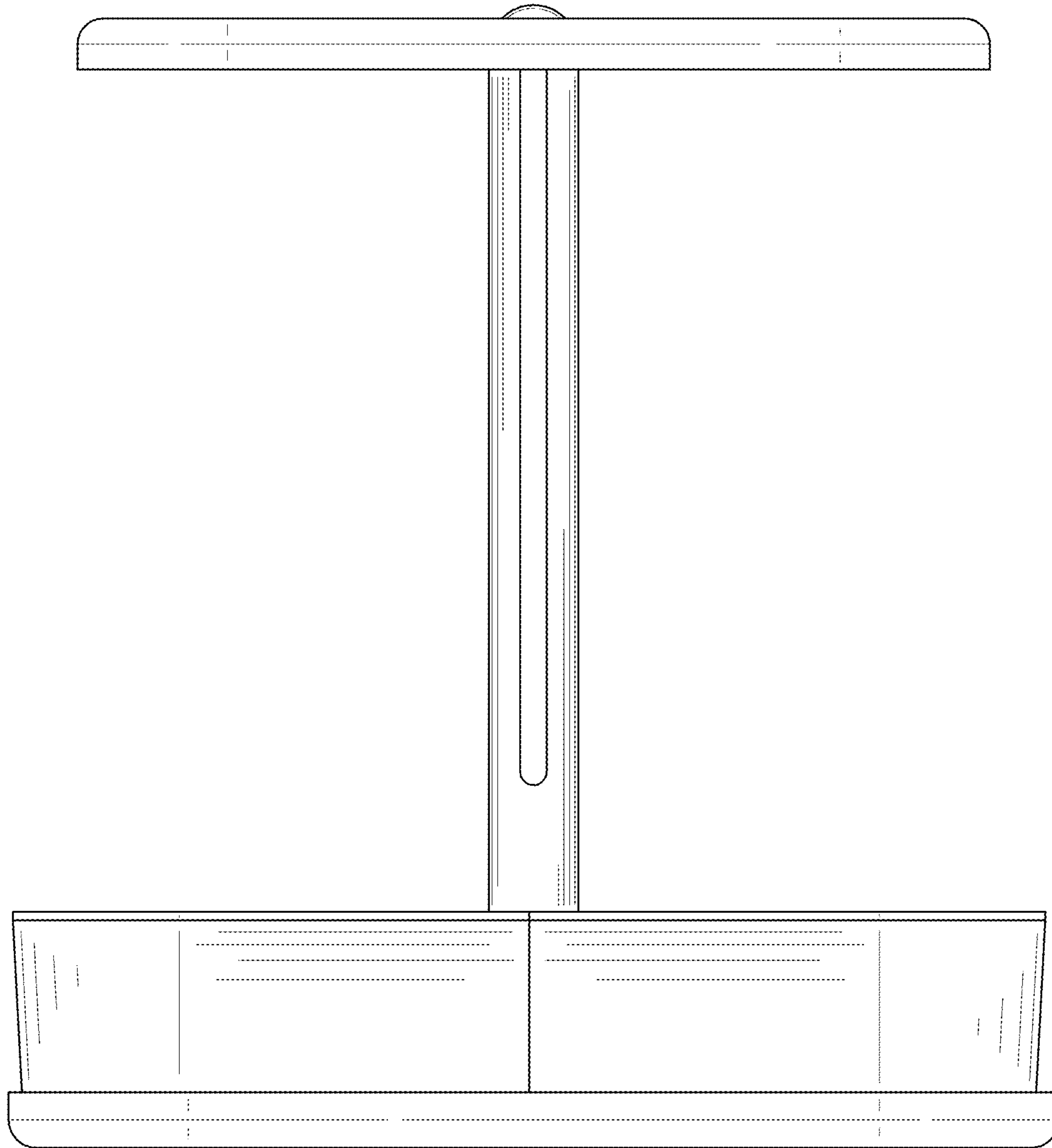


FIG. 3

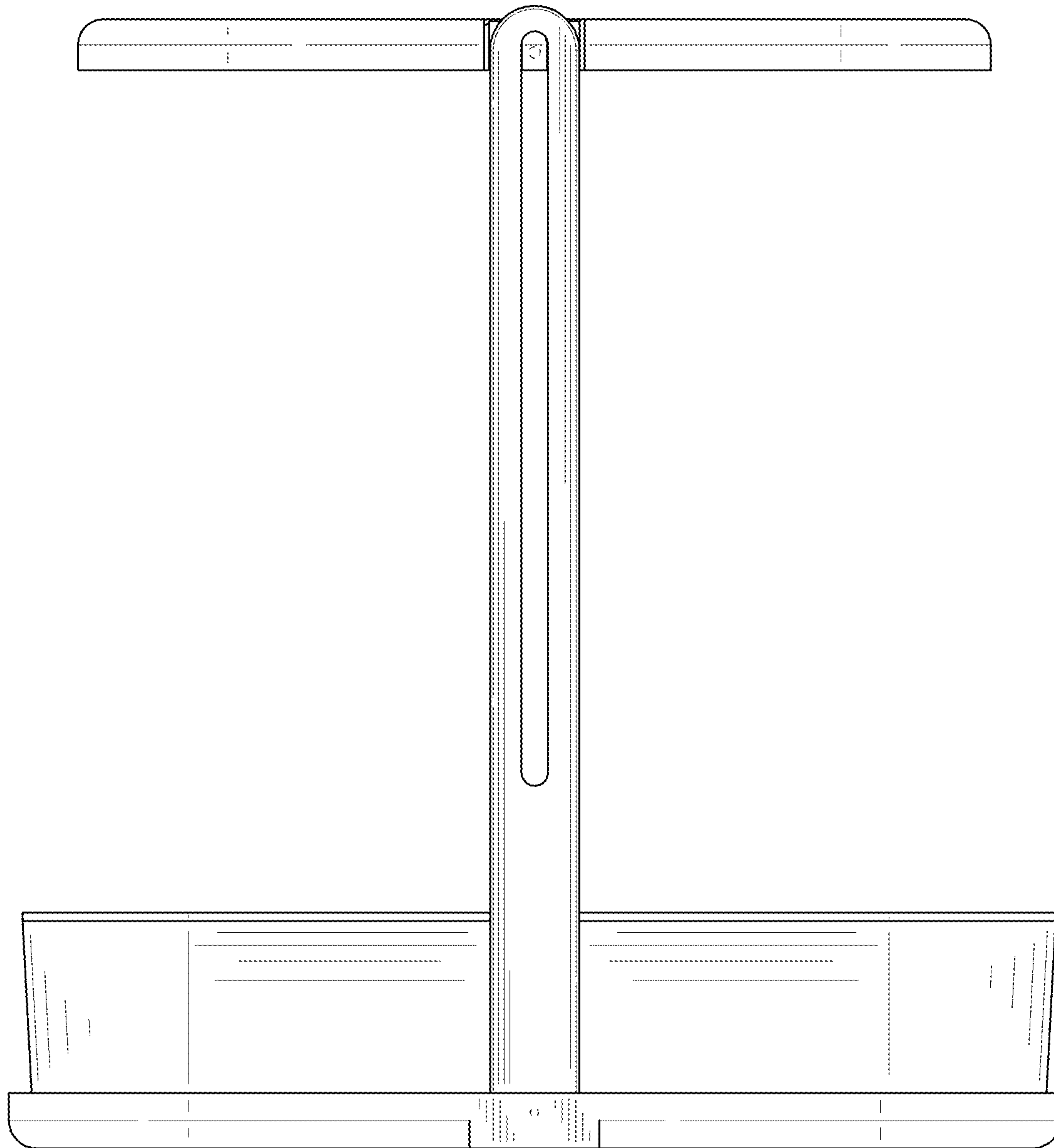


FIG. 4

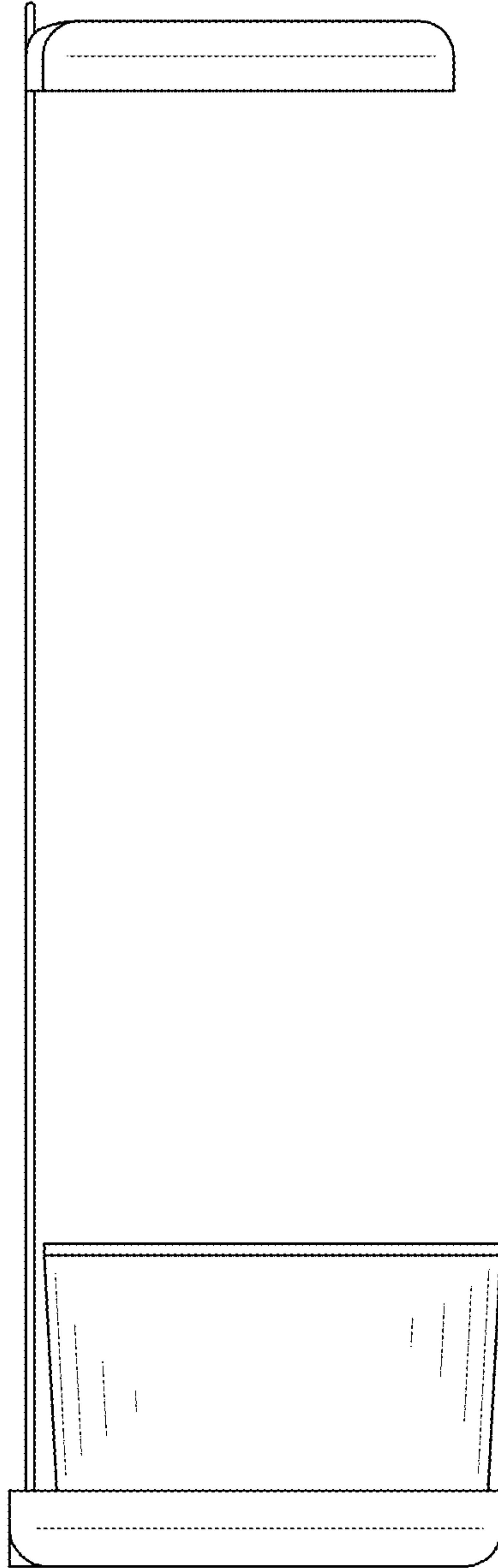


FIG. 5

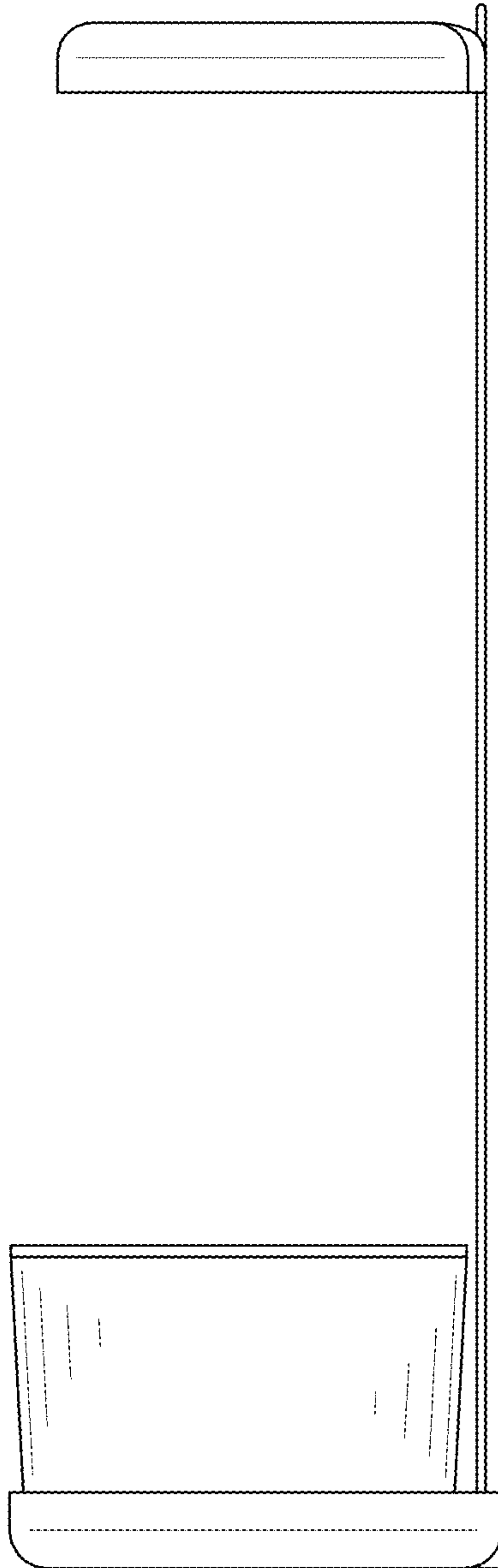


FIG. 6



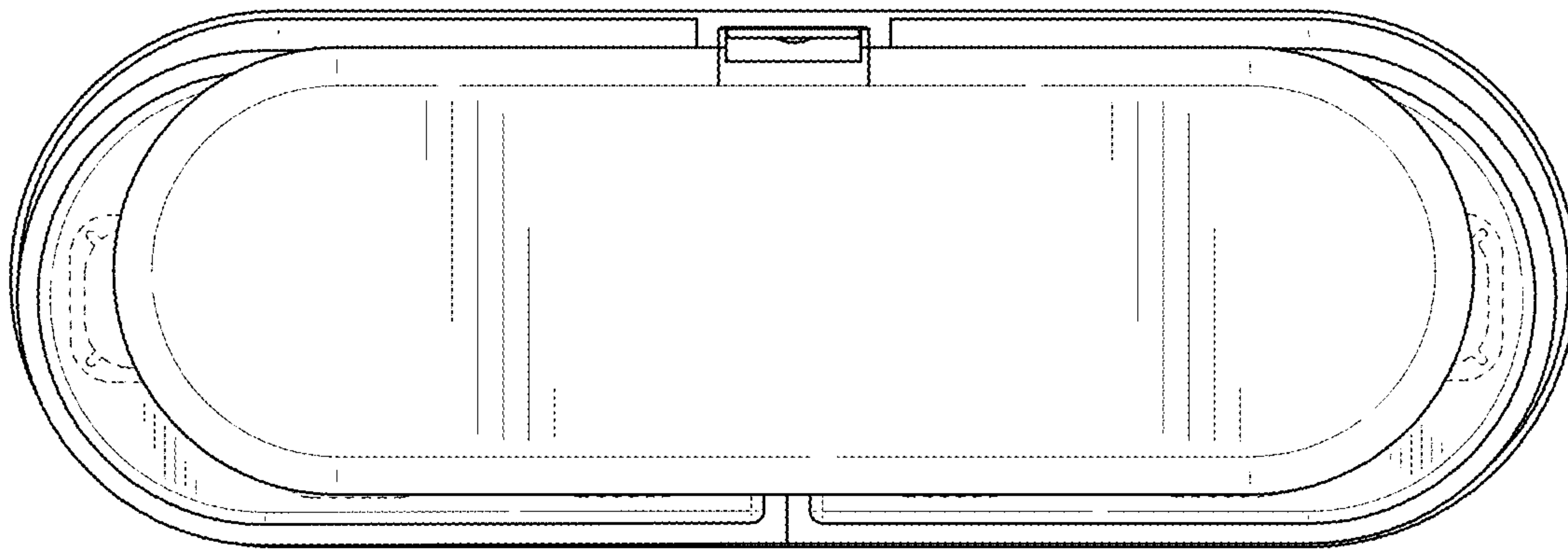


FIG. 7

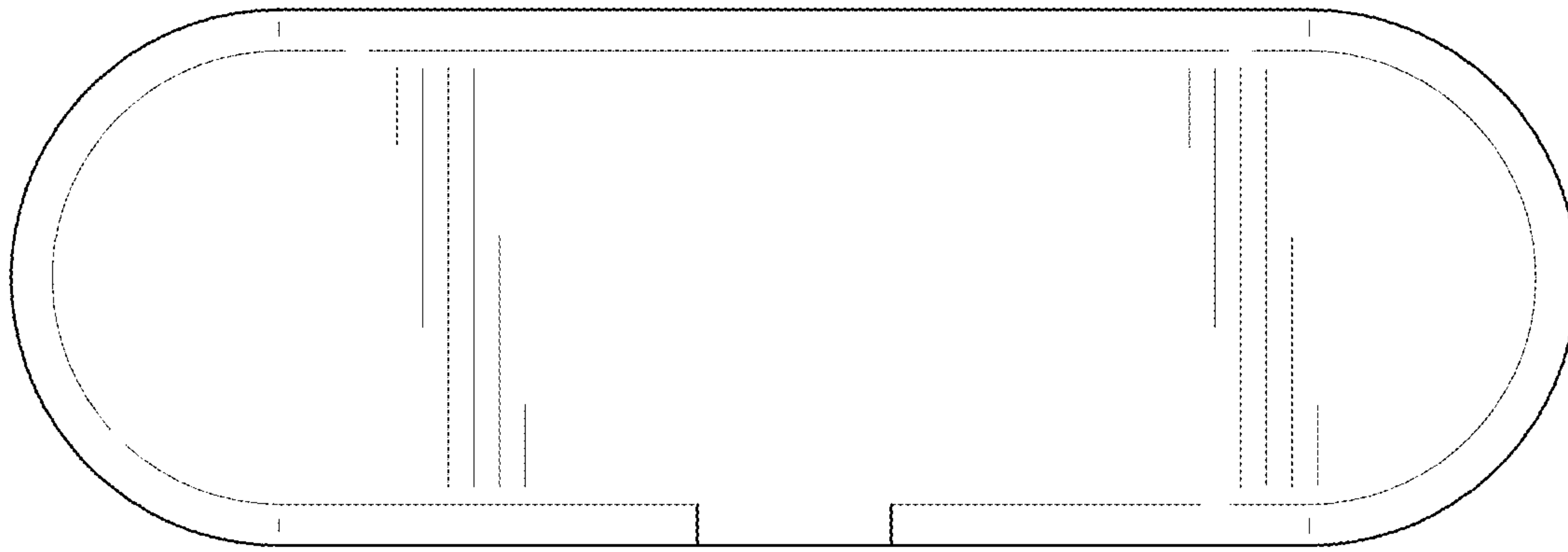


FIG. 8

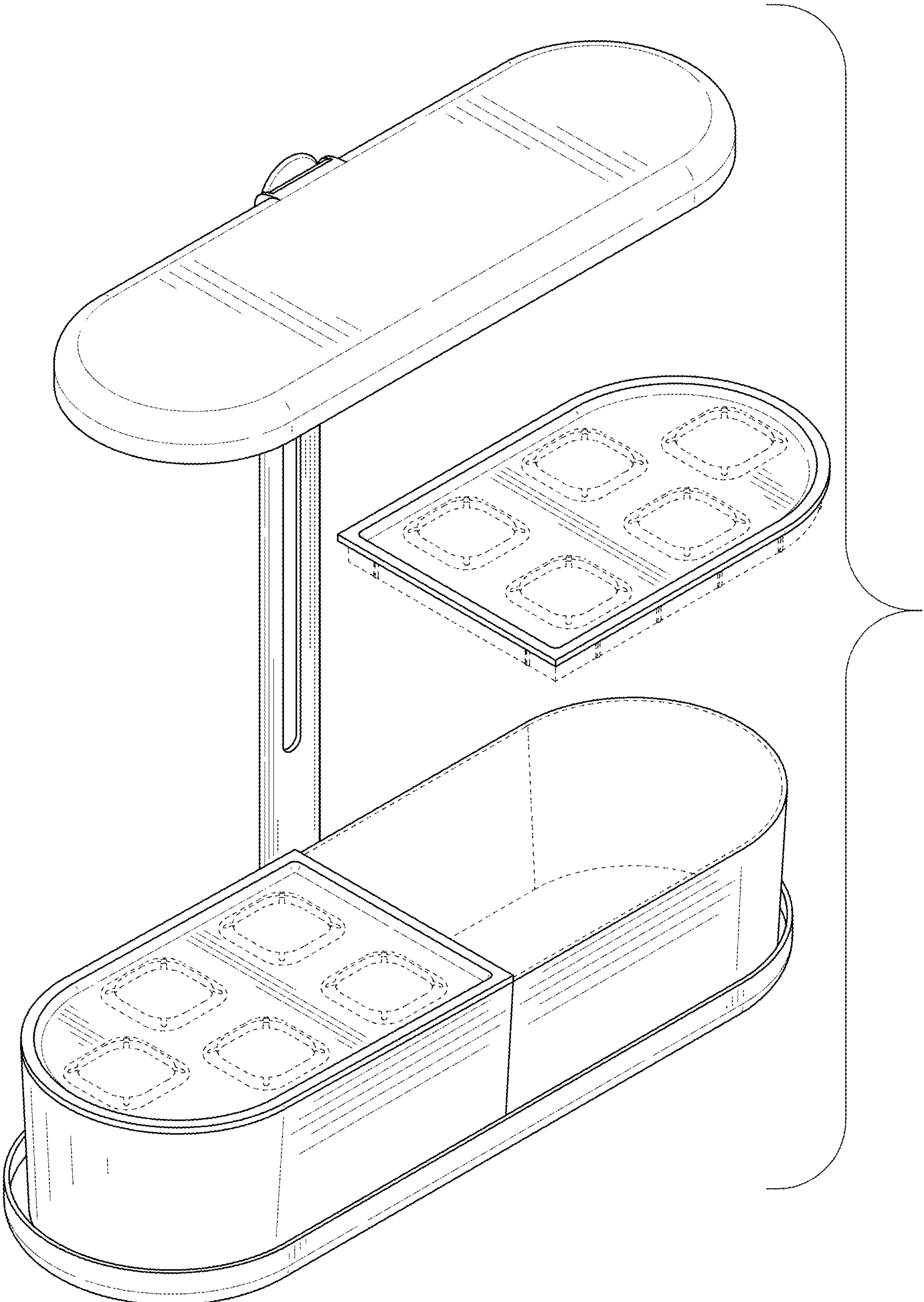


FIG. 9