



US00D888602S

(12) **United States Design Patent**
Kadosh

(10) **Patent No.:** **US D888,602 S**

(45) **Date of Patent:** **** Jun. 30, 2020**

(54) **PLANT GROWING UNIT**

(71) Applicant: **Yossi Kadosh**, Petah-Tikva (IL)

(72) Inventor: **Yossi Kadosh**, Petah-Tikva (IL)

(**) Term: **15 Years**

(21) Appl. No.: **29/677,433**

(22) Filed: **Jan. 21, 2019**

(51) **LOC (12) Cl.** **11-02**

(52) **U.S. Cl.**

USPC **D11/144**

(58) **Field of Classification Search**

USPC D11/143-156, 164; D3/304; D6/403,
D6/404, 405, 556, 557, 558; D7/523,
D7/602, 630; D8/356; D9/428, 500
CPC ... A47G 7/00; A47G 7/02; A47G 7/06; A47G
7/08; A01G 5/04; A01G 9/02; A01G
9/021; A01G 9/029; A01G 9/0293; A01G
9/047

See application file for complete search history.

(56) **References Cited**

U.S. PATENT DOCUMENTS

- 3,066,445 A * 12/1962 D'Amico A47G 7/041
47/20.1
- 3,936,156 A * 2/1976 Shaw G02B 25/005
359/802
- D244,838 S * 6/1977 LeBreux D11/144
- D245,407 S * 8/1977 Ware D11/144
- D359,930 S * 7/1995 Tuttle D11/155
- 5,430,972 A * 7/1995 Wianecki A01G 9/02
47/66.6
- D366,226 S * 1/1996 Foutes D11/144
- D416,102 S * 11/1999 Schulman D11/144
- D549,457 S * 8/2007 Dretzka D3/304

- D604,197 S * 11/2009 Bissonnette D11/144
- 8,434,262 B2 * 5/2013 Jaensch A01G 5/04
47/66.1
- D713,284 S * 9/2014 Prinster A01G 31/02
D11/143
- D729,115 S * 5/2015 Prinster D11/144
- D771,520 S * 11/2016 Bryan, III D11/155
- D792,808 S * 7/2017 Verneuil D11/144
- D795,737 S * 8/2017 Messerer D11/144
- D864,016 S * 10/2019 Woltz D11/143
- D874,333 S * 2/2020 Gober D11/155
- 2006/0272210 A1 * 12/2006 Bissonnette A01G 31/02
47/69
- 2015/0101248 A1 * 4/2015 Adkinson A01G 27/00
47/70
- 2019/0037779 A1 * 2/2019 Chirco A01G 9/249
- 2020/0053969 A1 * 2/2020 Gehin A01G 24/44

* cited by examiner

Primary Examiner — Elizabeth A. Albert

(74) *Attorney, Agent, or Firm* — AlphaPatent Associates,
Ltd; Daniel J. Swirsky

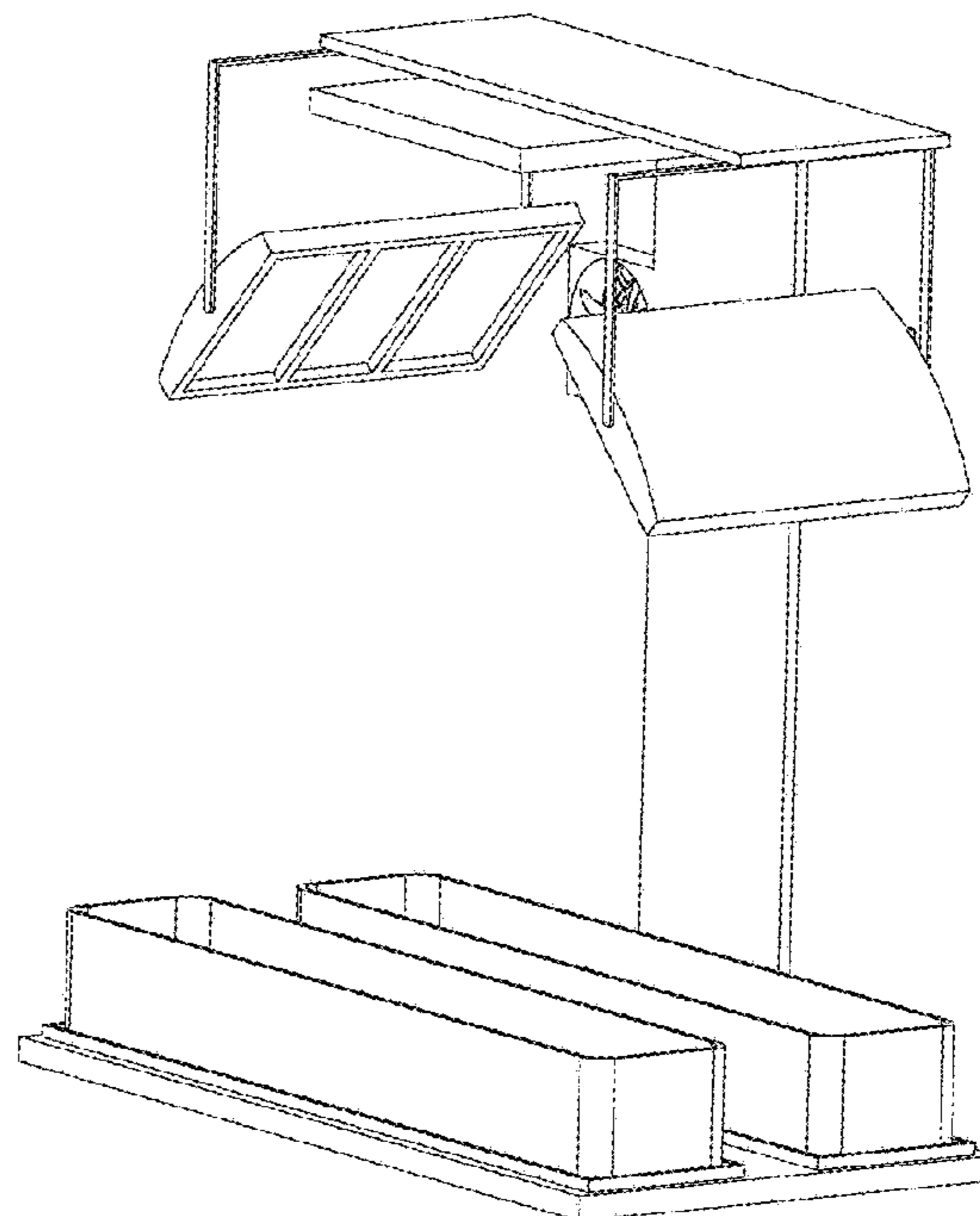
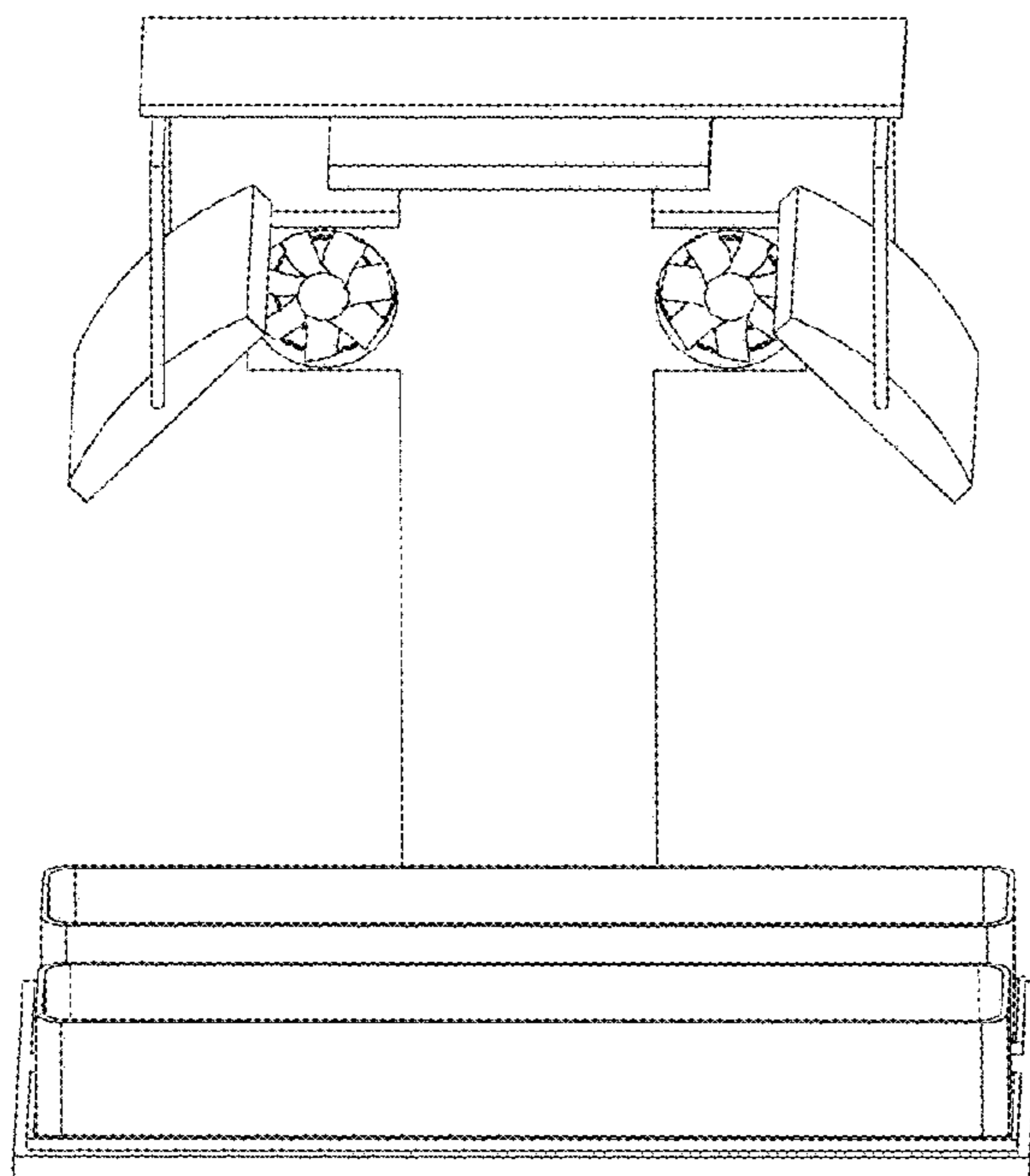
(57) **CLAIM**

The ornamental design for a plant growing unit, as shown
and described.

DESCRIPTION

FIG. 1 is a front view of a plant growing unit showing my
new design;
FIG. 2 is a rear view thereof;
FIG. 3 is a left view thereof;
FIG. 4 is a right view thereof;
FIG. 5 is a bottom view thereof;
FIG. 6 is a top view thereof; and,
FIG. 7 is a perspective view thereof.

1 Claim, 7 Drawing Sheets



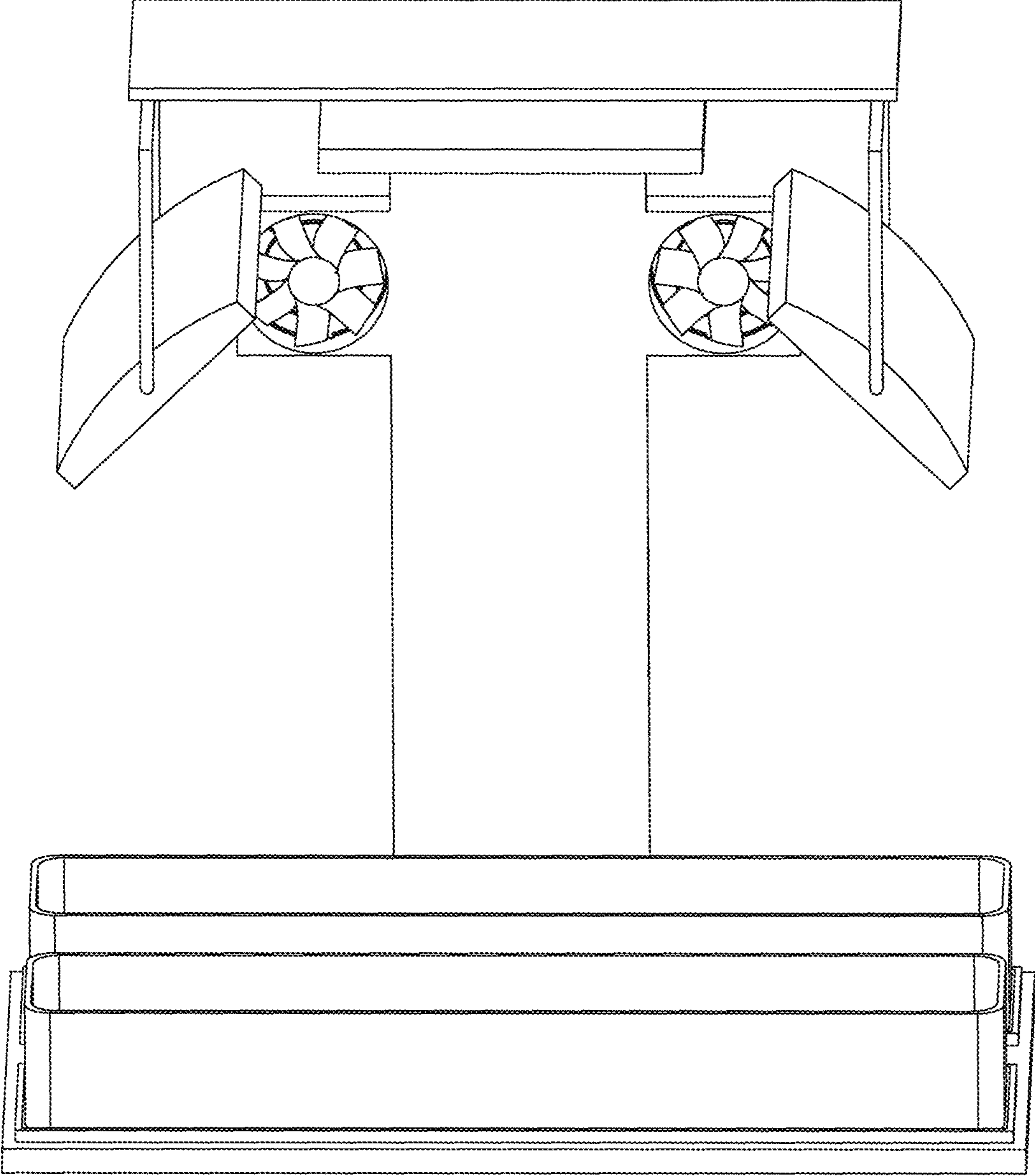


FIG 1

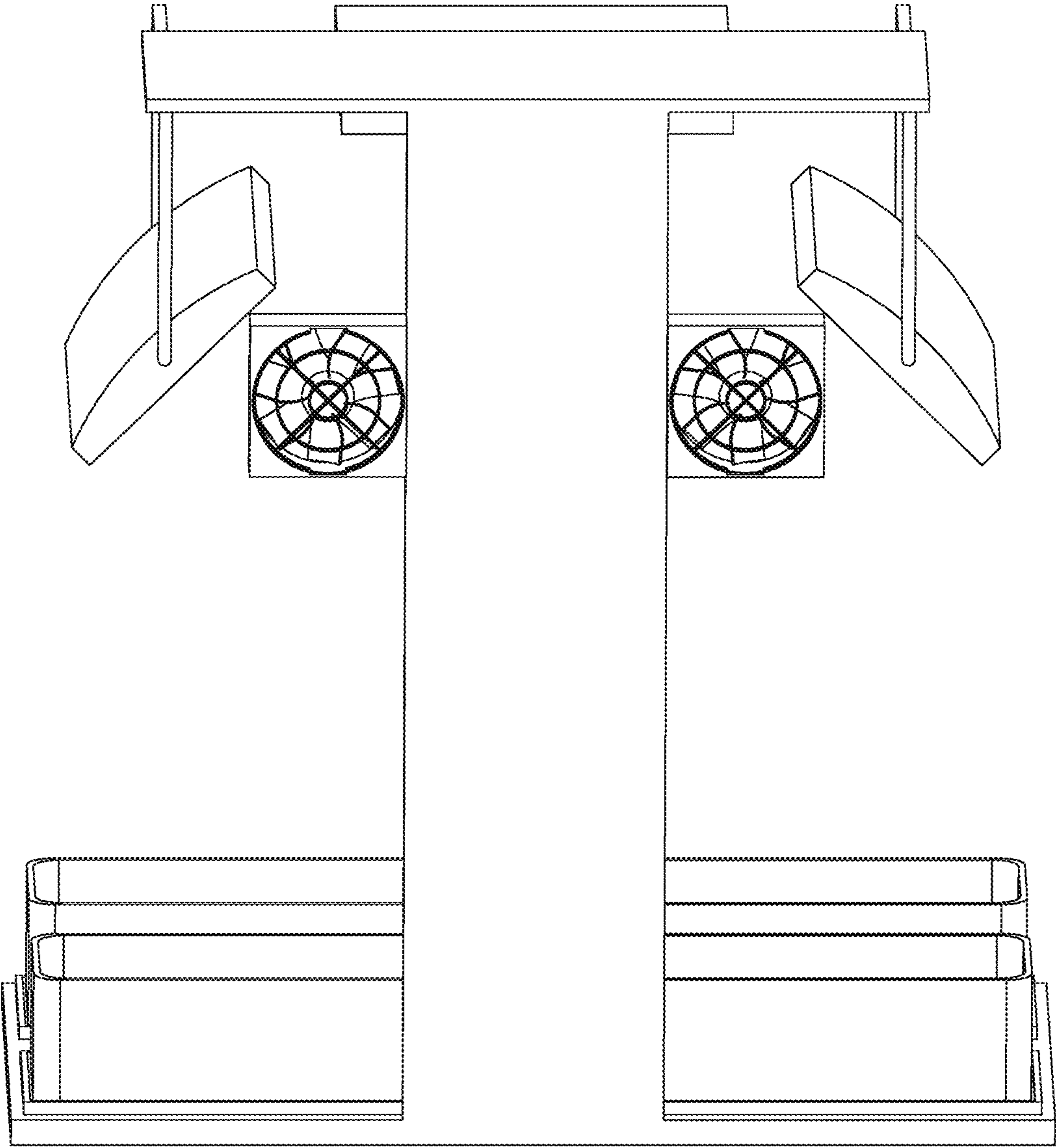


FIG 2

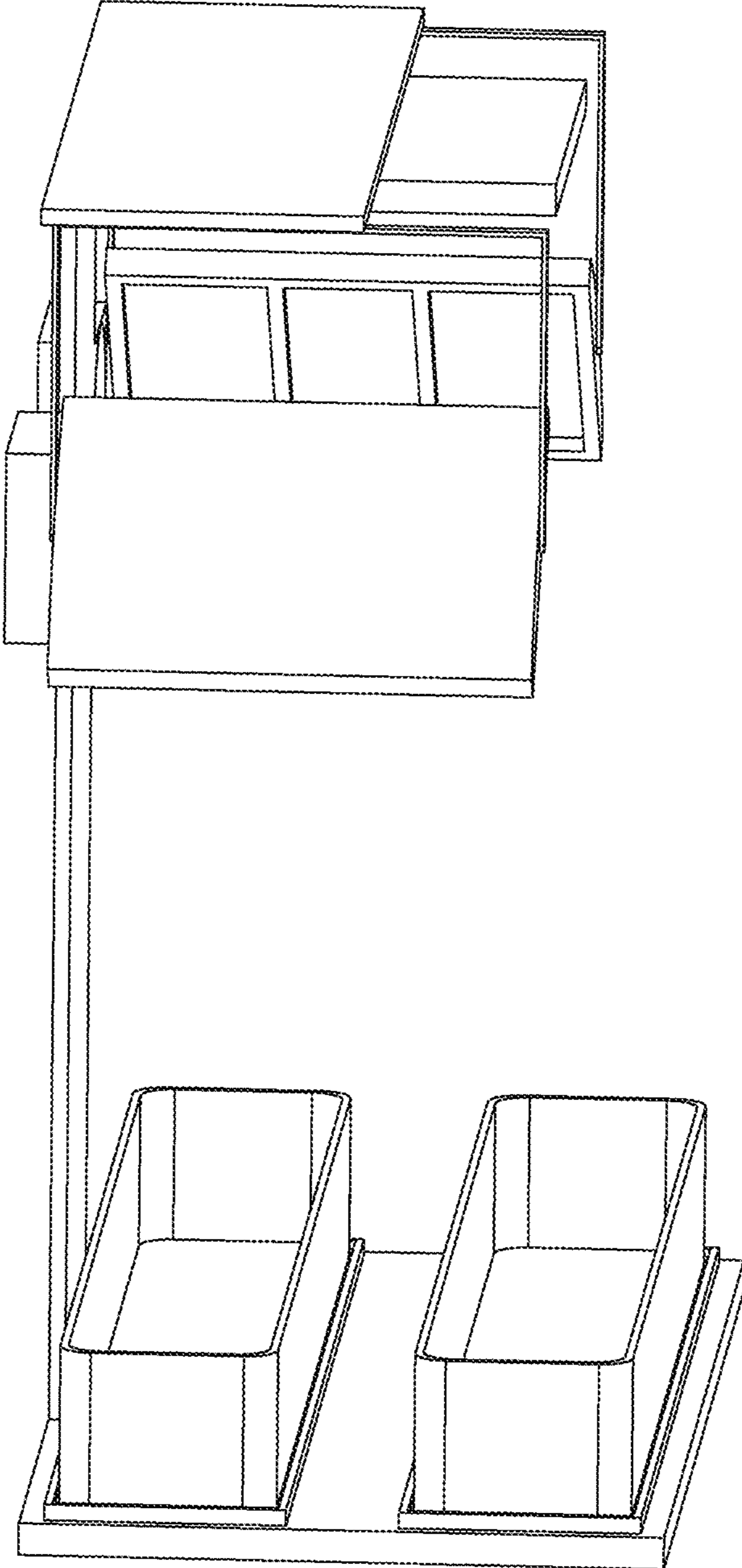


FIG 3

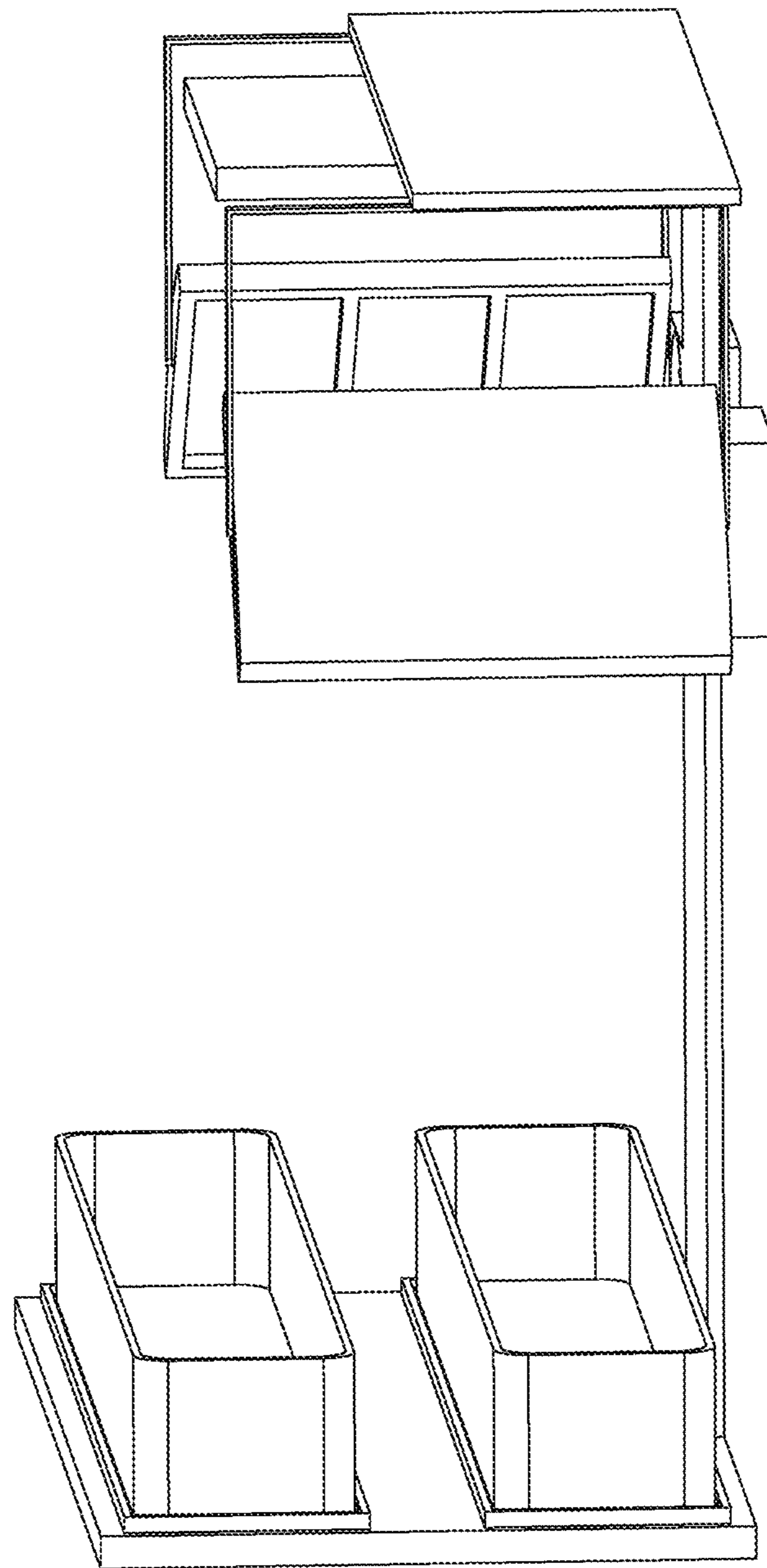


FIG 4

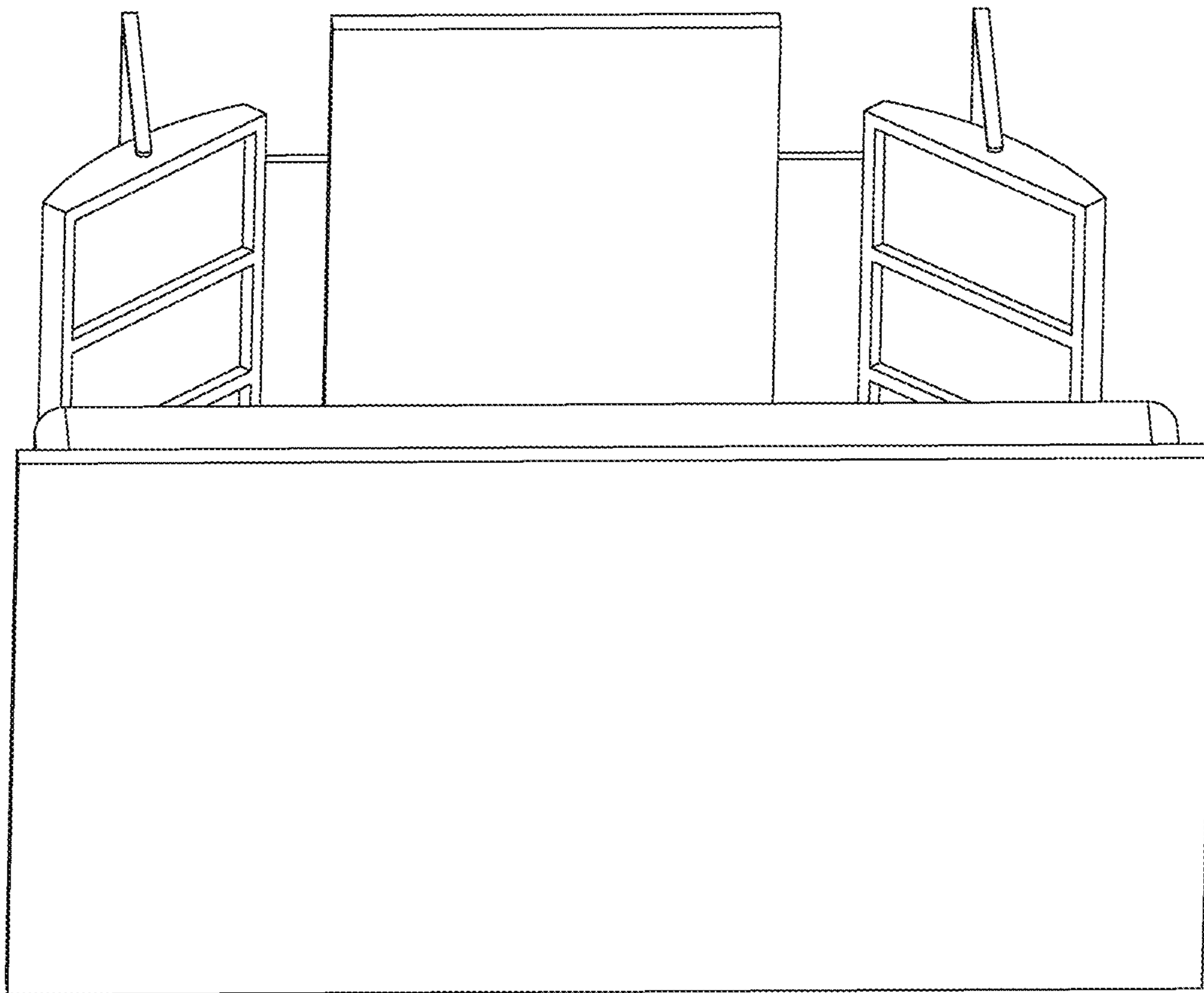


FIG 5

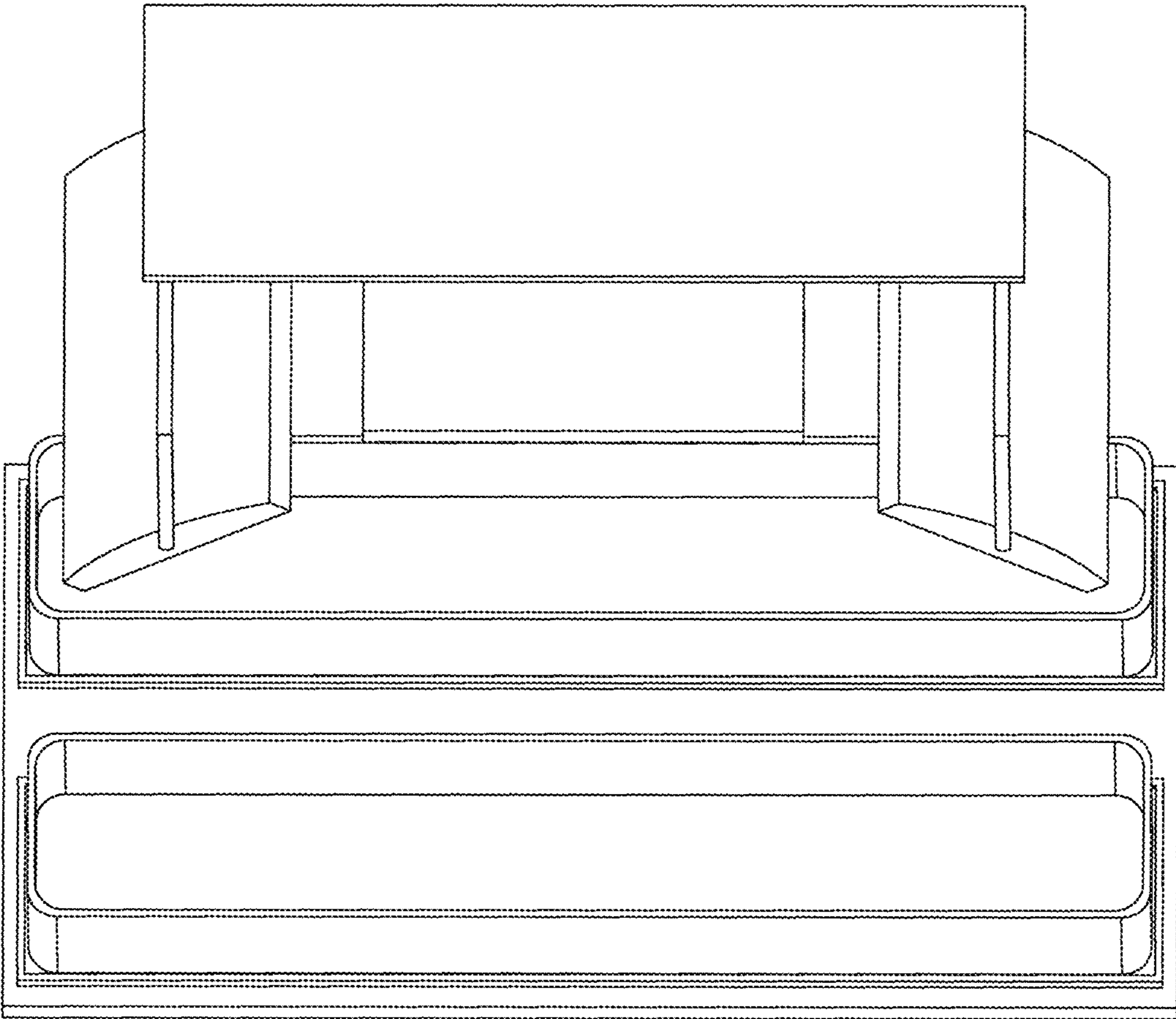


FIG 6

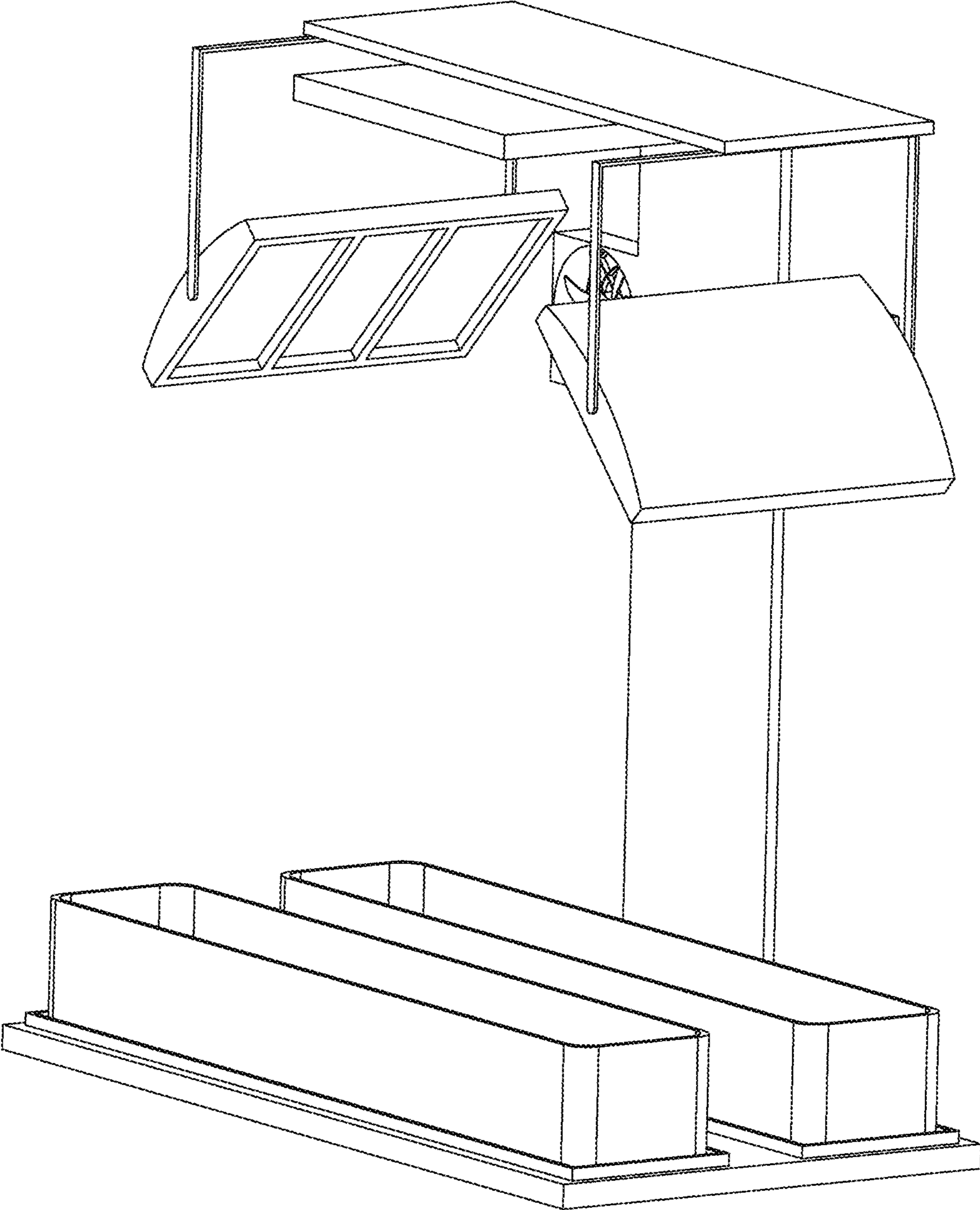


FIG 7