



US00D888599S

(12) **United States Design Patent**  
**Weinroth**

(10) **Patent No.:** **US D888,599 S**  
(45) **Date of Patent:** **\*\* Jun. 30, 2020**

(54) **SCULPTURE**

(71) Applicant: **Netta Weinroth, D.N. Ashkelon (IL)**

(72) Inventor: **Netta Weinroth, D.N. Ashkelon (IL)**

(\*\*) Term: **15 Years**

(21) Appl. No.: **29/649,273**

(22) Filed: **May 29, 2018**

(30) **Foreign Application Priority Data**

Nov. 30, 2017 (IL) ..... 61297

(51) **LOC (12) Cl.** ..... **11-02**

(52) **U.S. Cl.**  
USPC ..... **D11/131; D11/157**

(58) **Field of Classification Search**  
USPC ..... D11/131, 132, 140, 142, 157, 164, 184;  
D6/512, 514, 552; D13/179  
See application file for complete search history.

(56) **References Cited**

**U.S. PATENT DOCUMENTS**

- 1,316,015 A \* 9/1919 Bristow et al. .... B42F 17/08  
211/11
- 2,936,409 A \* 5/1960 Power ..... H01L 23/467  
257/722
- 3,280,907 A \* 10/1966 Hoffman ..... H01L 23/4093  
165/185
- 3,391,796 A \* 7/1968 Cross ..... G09F 15/0087  
211/169
- D219,342 S \* 12/1970 Koltuniak et al. .... D13/179
- 3,566,958 A \* 3/1971 Zelina ..... H01L 23/051  
165/80.3
- D225,553 S \* 12/1972 Moore ..... D15/29
- 4,187,711 A \* 2/1980 Lavochkin ..... B21C 23/14  
72/256
- D257,680 S \* 12/1980 Bell ..... D11/142

- D267,005 S \* 11/1982 Dennis ..... D13/179
- D304,397 S \* 11/1989 Wright ..... D6/679
- D308,228 S \* 5/1990 Gecchelin ..... D19/75
- D313,399 S \* 1/1991 Earl ..... D13/179
- D326,379 S \* 5/1992 Gilbey ..... D6/683
- D332,361 S \* 1/1993 Lewis ..... D6/691
- 5,180,058 A \* 1/1993 Hu ..... G11B 33/0466  
206/308.1
- D338,449 S \* 8/1993 Sahyoun ..... D13/179
- D340,942 S \* 11/1993 Smith ..... D15/29
- D369,620 S \* 5/1996 Boutsakis ..... D19/86
- D393,379 S \* 4/1998 Alber ..... D6/679
- 5,937,936 A \* 8/1999 Furukawa ..... F28D 15/0233  
165/104.33
- D426,195 S \* 6/2000 Kuo ..... D13/179
- D426,814 S \* 6/2000 Lee ..... D13/179
- 6,138,489 A \* 10/2000 Eriksson ..... B21D 53/02  
29/890.03
- D458,232 S \* 6/2002 Lee ..... D13/179
- D538,507 S \* 3/2007 Tansey ..... D1/125
- D586,077 S \* 2/2009 Shulman ..... D1/125

(Continued)

*Primary Examiner* — W. A. Teddy Falloway  
(74) *Attorney, Agent, or Firm* — Roach, Brown,  
McCarthy & Gruber, P.C.; Kevin D. McCarthy

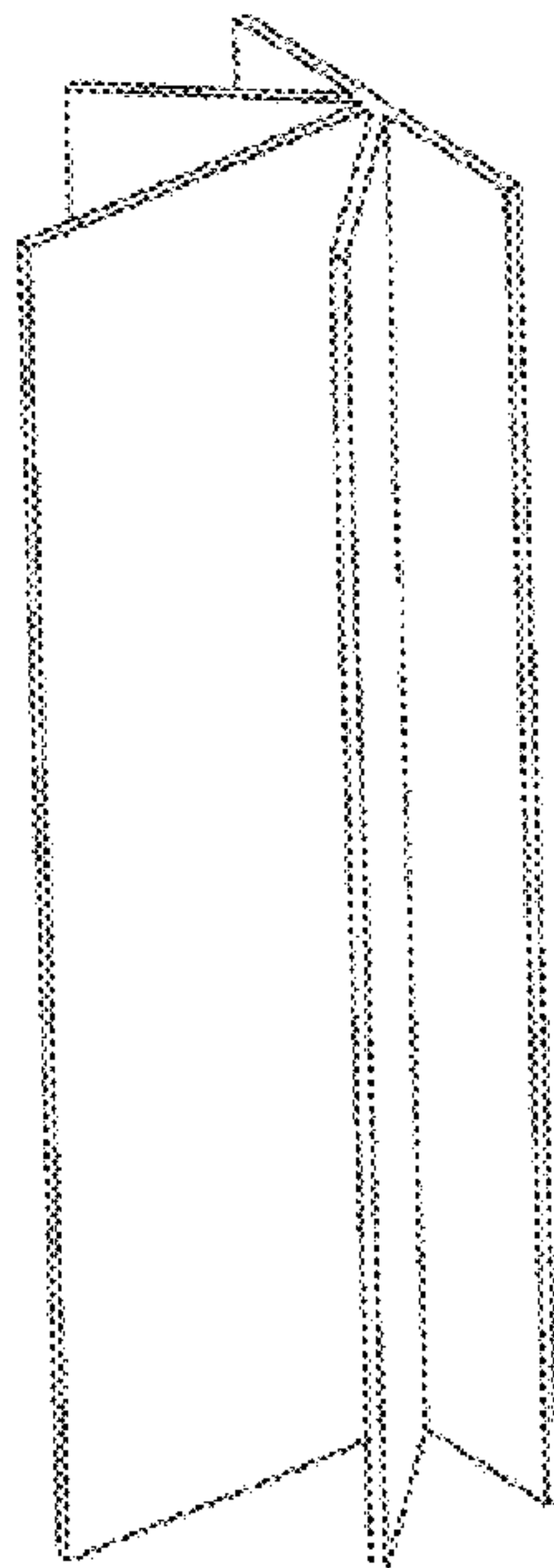
(57) **CLAIM**

The ornamental design for a sculpture, as shown and described.

**DESCRIPTION**

FIG. 1 is a front view of a sculpture;  
FIG. 2 is a rear view of FIG. 1;  
FIG. 3 is a right side view of FIG. 1;  
FIG. 4 is a left side view of FIG. 1;  
FIG. 5 is a top view of FIG. 1;  
FIG. 6 is a bottom view of FIG. 1; and,  
FIG. 7 is an isometric view of the right side view and top view of FIG. 1.

**1 Claim, 7 Drawing Sheets**



(56)

References Cited

U.S. PATENT DOCUMENTS

D609,941 S \* 2/2010 Schmid ..... D6/683.1  
 D611,120 S \* 3/2010 Brockdorff ..... D23/207  
 D616,382 S \* 5/2010 Lin ..... D13/179  
 D617,749 S \* 6/2010 Huang ..... D13/179  
 D618,629 S \* 6/2010 Blumenfeld ..... D13/179  
 D620,459 S \* 7/2010 Huang ..... D13/179  
 D642,217 S \* 7/2011 Von Der Lancken ..... D19/91  
 D687,101 S \* 7/2013 Sternberg ..... D19/69  
 9,062,873 B2 \* 6/2015 Auyeung ..... G09F 9/33  
 D743,241 S \* 11/2015 Nieves, Sr. .... D8/354  
 D804,743 S \* 12/2017 Park ..... D30/160  
 D810,034 S \* 2/2018 Mira ..... D13/179  
 D842,822 S \* 3/2019 Mira ..... D13/179  
 D862,635 S \* 10/2019 Madden ..... D22/120  
 2008/0149305 A1 \* 6/2008 Chen ..... F21K 9/00  
 165/80.3  
 2010/0200206 A1 \* 8/2010 Mandrone ..... H01L 23/4093  
 165/185  
 2010/0258269 A1 \* 10/2010 Yang ..... B21D 53/04  
 165/67  
 2014/0153248 A1 \* 6/2014 Yeh ..... F21V 29/713  
 362/294  
 2017/0194751 A1 \* 7/2017 Little ..... H05K 7/20445  
 2018/0077817 A1 \* 3/2018 Tang-Kong ..... H01L 23/367  
 2018/0336875 A1 \* 11/2018 Patterson ..... F21S 2/00

\* cited by examiner

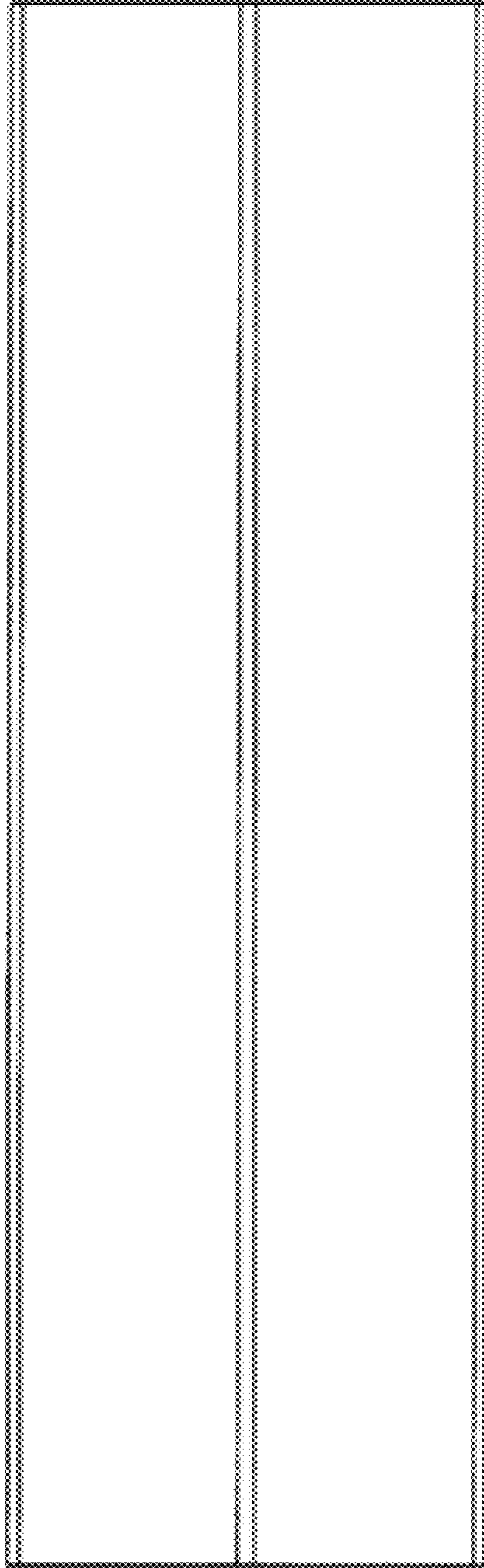


FIG. 1

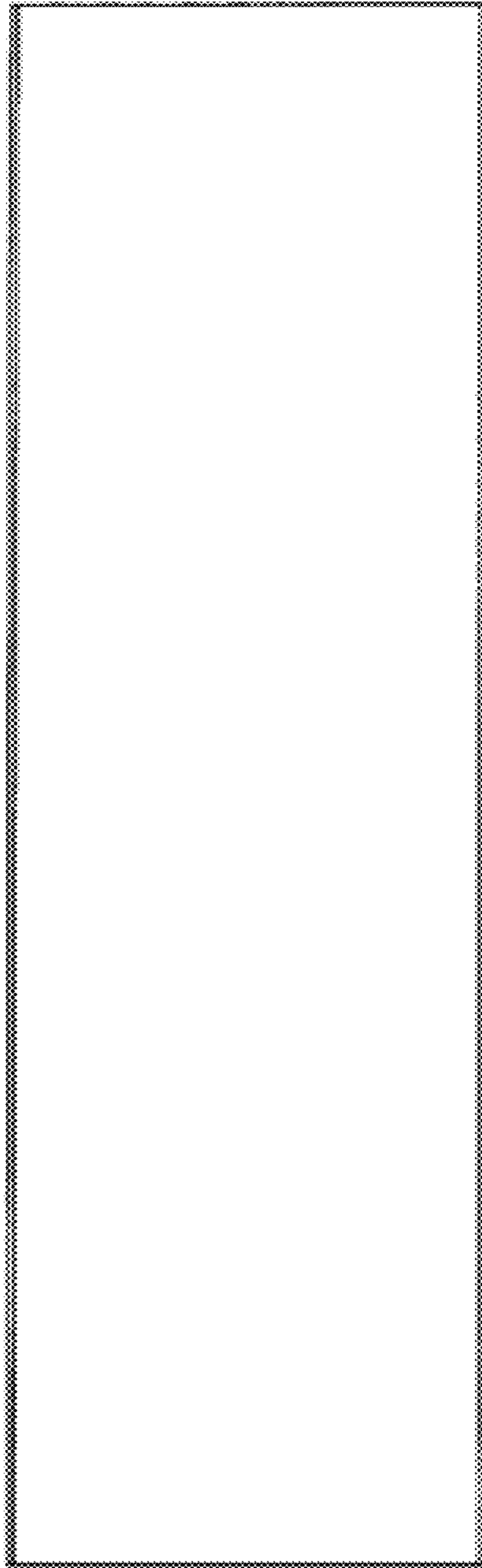


FIG. 2

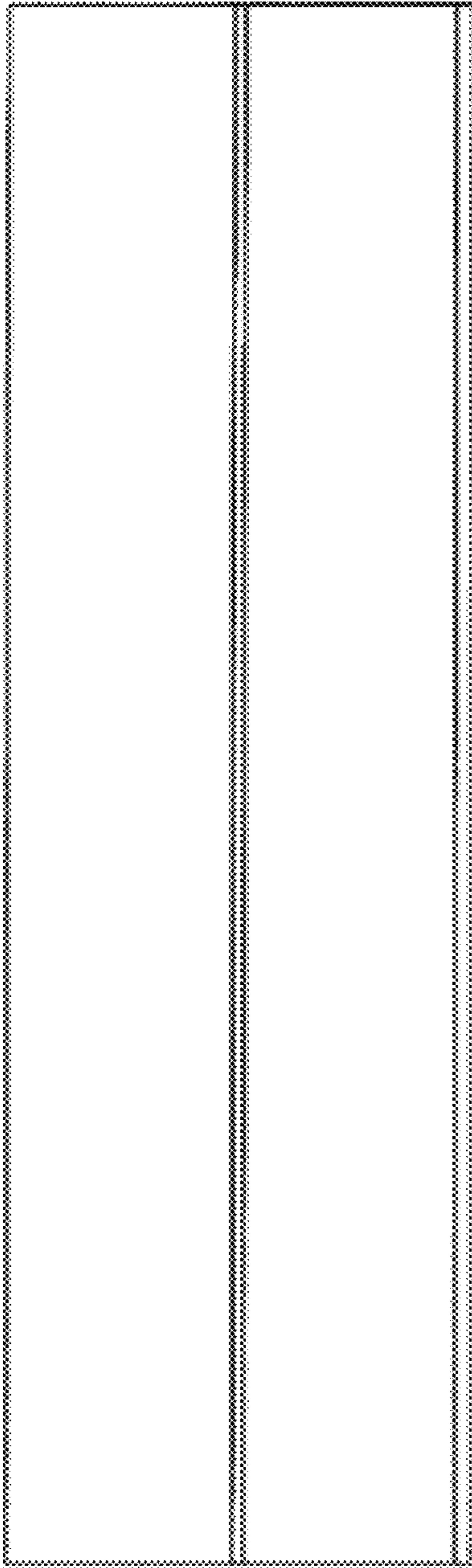


FIG. 3



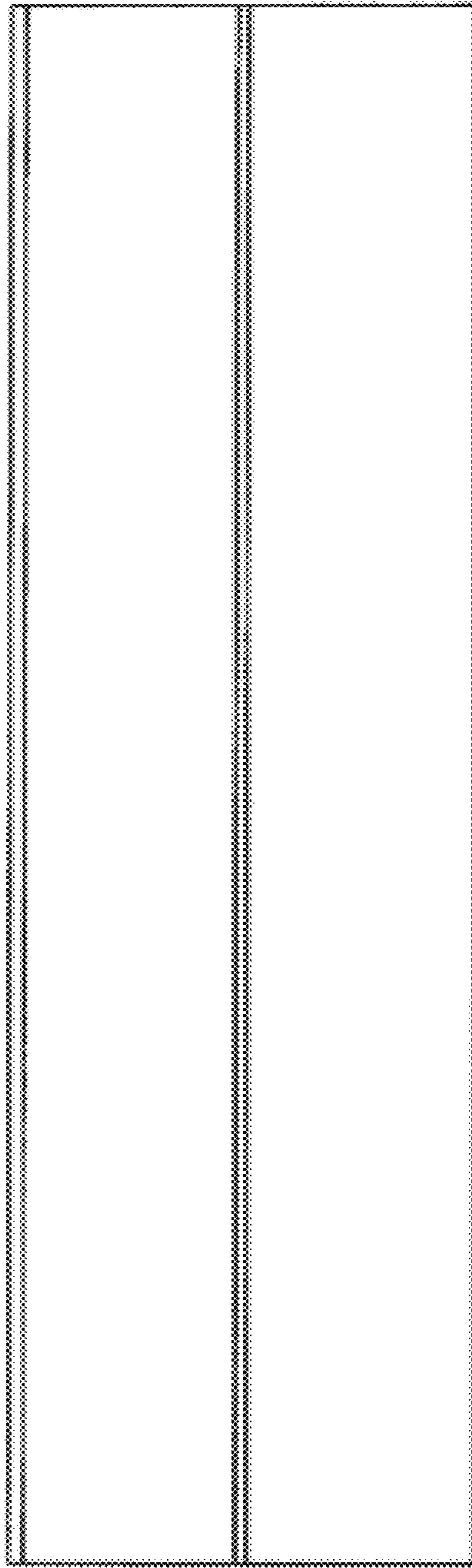


FIG. 4

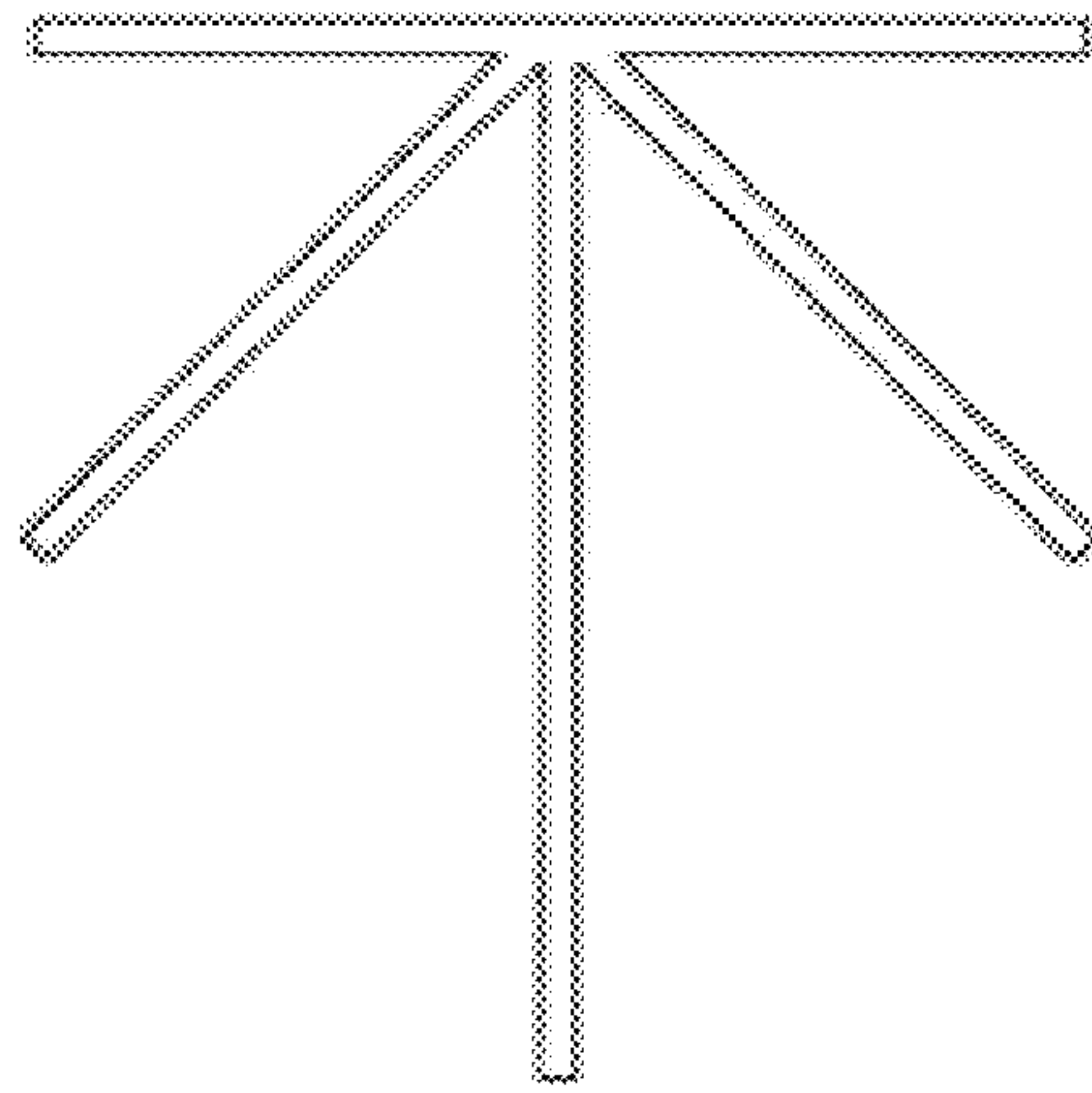


FIG. 5

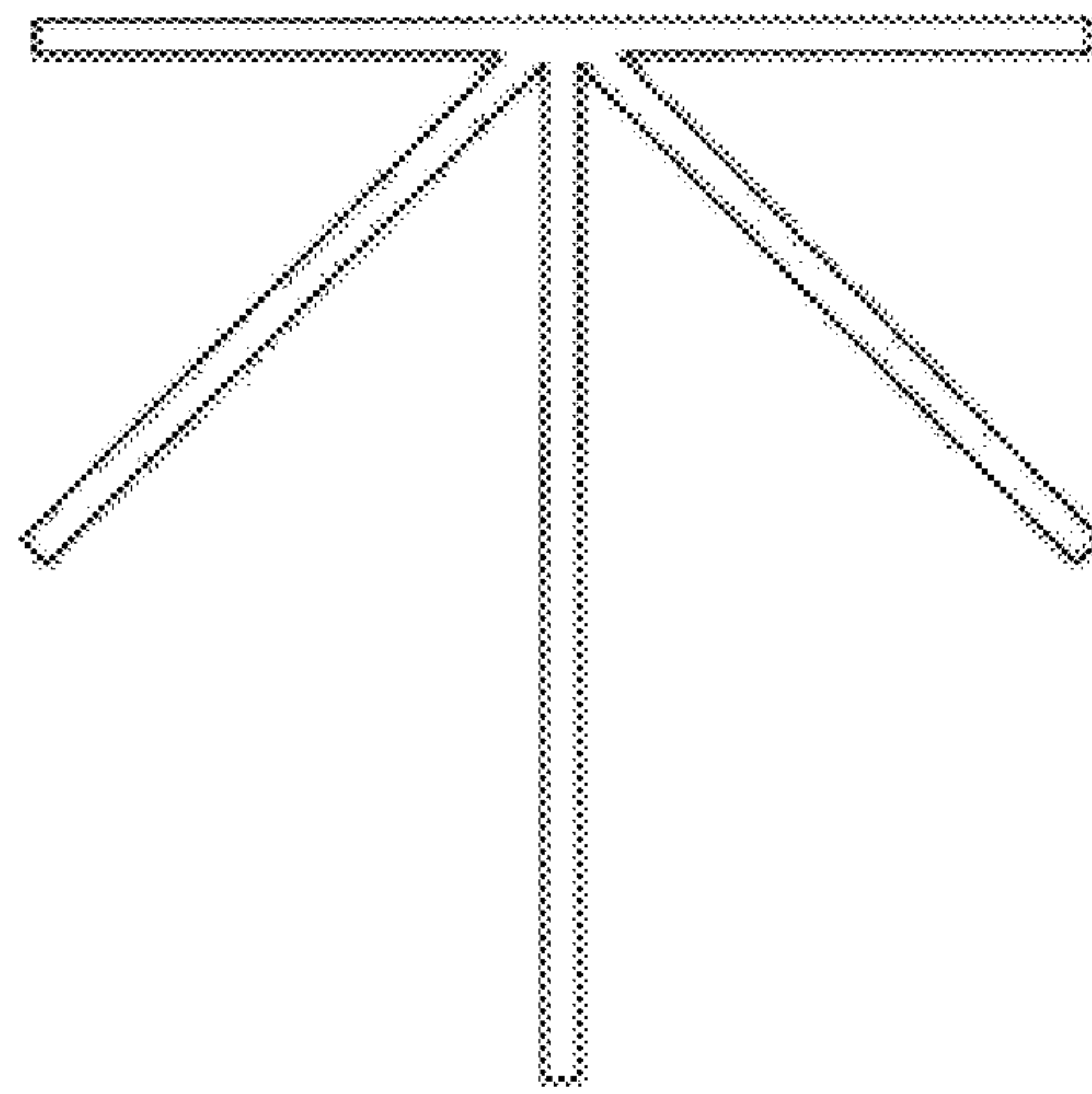


FIG. 6



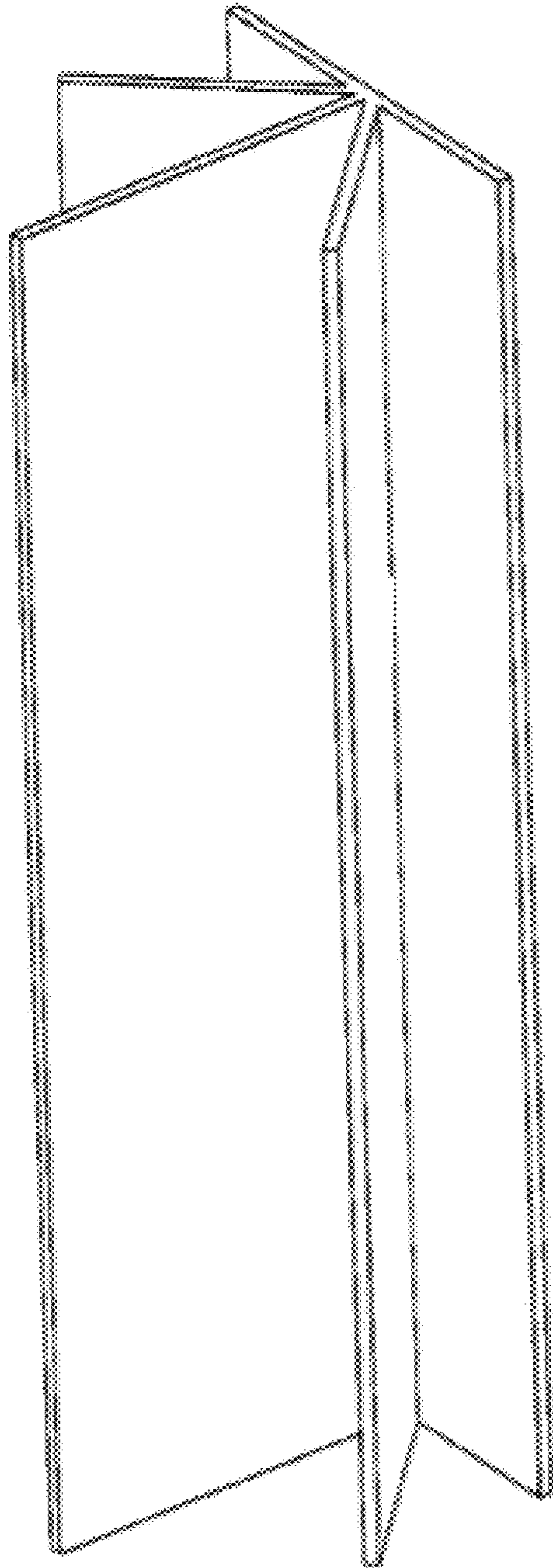


FIG. 7