



US00D888598S

(12) **United States Design Patent**
Fortin et al.

(10) **Patent No.: US D888,598 S**
(45) **Date of Patent: ** Jun. 30, 2020**

- (54) **LAPEL ORNAMENT HOLDER**
- (71) Applicant: **Flowerstay, LLC**, Woburn, MA (US)
- (72) Inventors: **Robert Fortin**, Woburn, MA (US);
Jason Cordeiro, Norwell, MA (US);
Daniel Cordeiro, Scituate, MA (US)
- (73) Assignee: **Flowerstay, LLC**, Woburn, MA (US)
- (**) Term: **15 Years**
- (21) Appl. No.: **29/647,099**
- (22) Filed: **May 9, 2018**
- (51) **LOC (12) Cl. 11-01**
- (52) **U.S. Cl.**
USPC **D11/48**
- (58) **Field of Classification Search**
USPC D11/1-3, 6-10, 15-17, 26-30, 34-35,
D11/40-45, 48, 56, 61, 75, 76, 36-38, 47,
D11/79, 81, 83, 87, 88, 116, 117, 89-92,
D11/80, 93, 201, 222, 223; 24/5, 6
CPC .. A44C 1/00; A44C 7/00; A44C 7/002; A44C
7/003; A44C 7/004; A44C 7/005; A44C
7/006; A44C 7/007; A44C 7/008; A44C
7/009; A44C 15/001; A44C 15/0005;
A44C 15/0025; A44C 15/0045; A44C
25/00; A44C 25/002; A44C 25/001; A44C
25/004; A44C 25/005; A44C 25/007;
A44C 25/008; A44C 13/00; A44C 3/00;
A44C 3/001; A44C 3/004; A44C 3/005;
A45F 5/08; Y10T 24/1306; A63H 3/08
See application file for complete search history.

- (56) **References Cited**
U.S. PATENT DOCUMENTS
3,222,695 A * 12/1965 Brown A41B 13/00
5/417
3,735,447 A * 5/1973 Abraham A44B 9/16
24/6

D326,067 S *	5/1992	Mayers	D11/48
D486,026 S *	2/2004	Wong	D6/595
D816,544 S *	5/2018	Anderson	D11/165
2005/0262666 A1 *	12/2005	McIntosh	A45F 5/02 24/5
2006/0117617 A1 *	6/2006	Peterson	A44C 3/001 40/1.6

(Continued)

OTHER PUBLICATIONS

Facebook Photo FlowerStay—Don't Fear The Boutonniere, Jul. 24, 2017, [online], [site visited Sep. 25, 2019]. Retrieved from url:https://www.facebook.com/Prom.and.Wedding.Boutonniere/photos/a.646282862229108/646290695561658/?type=3&theater (Year: 2017).*

(Continued)

Primary Examiner — Michelle E. Wilson
Assistant Examiner — Tracey J Bell
(74) *Attorney, Agent, or Firm* — Bay State IP, LLC

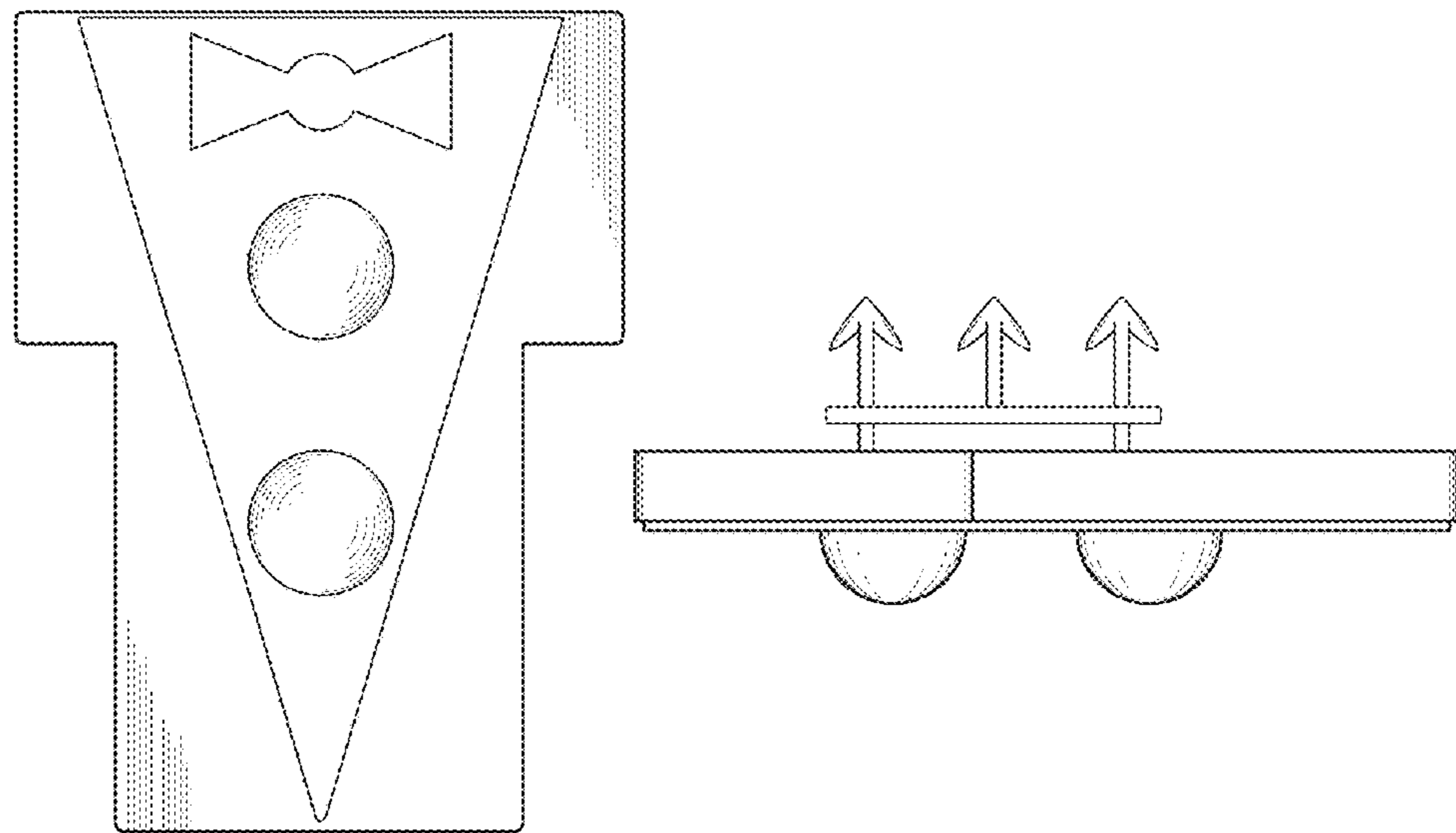
(57) **CLAIM**

The ornamental design for a lapel ornament holder, as shown and described.

DESCRIPTION

FIG. 1 is a front perspective view of the lapel ornament holder showing our new design;
FIG. 2 is a back perspective view thereof;
FIG. 3 is a front view thereof;
FIG. 4 is a back view thereof;
FIG. 5 is a right side view thereof;
FIG. 6 is a left side view thereof;
FIG. 7 is a top view thereof;
FIG. 8 is a bottom view thereof;
FIG. 9 is a back perspective view showing the design in an environment of use; and,
FIG. 10 is an exploded view of the pieces of the design.
The broken lines in FIG. 9 depict environment and form no part of the claimed design.

1 Claim, 6 Drawing Sheets



(56)

References Cited

U.S. PATENT DOCUMENTS

2011/0056100 A1* 3/2011 Peterson A44C 3/001
40/1.6

OTHER PUBLICATIONS

Shop—FlowerStay, no date available, [online], [site visited Sep. 25, 2019]. Retrieved from url:<https://flowerstay.com/shop-1> (Year: 2019).*

* cited by examiner

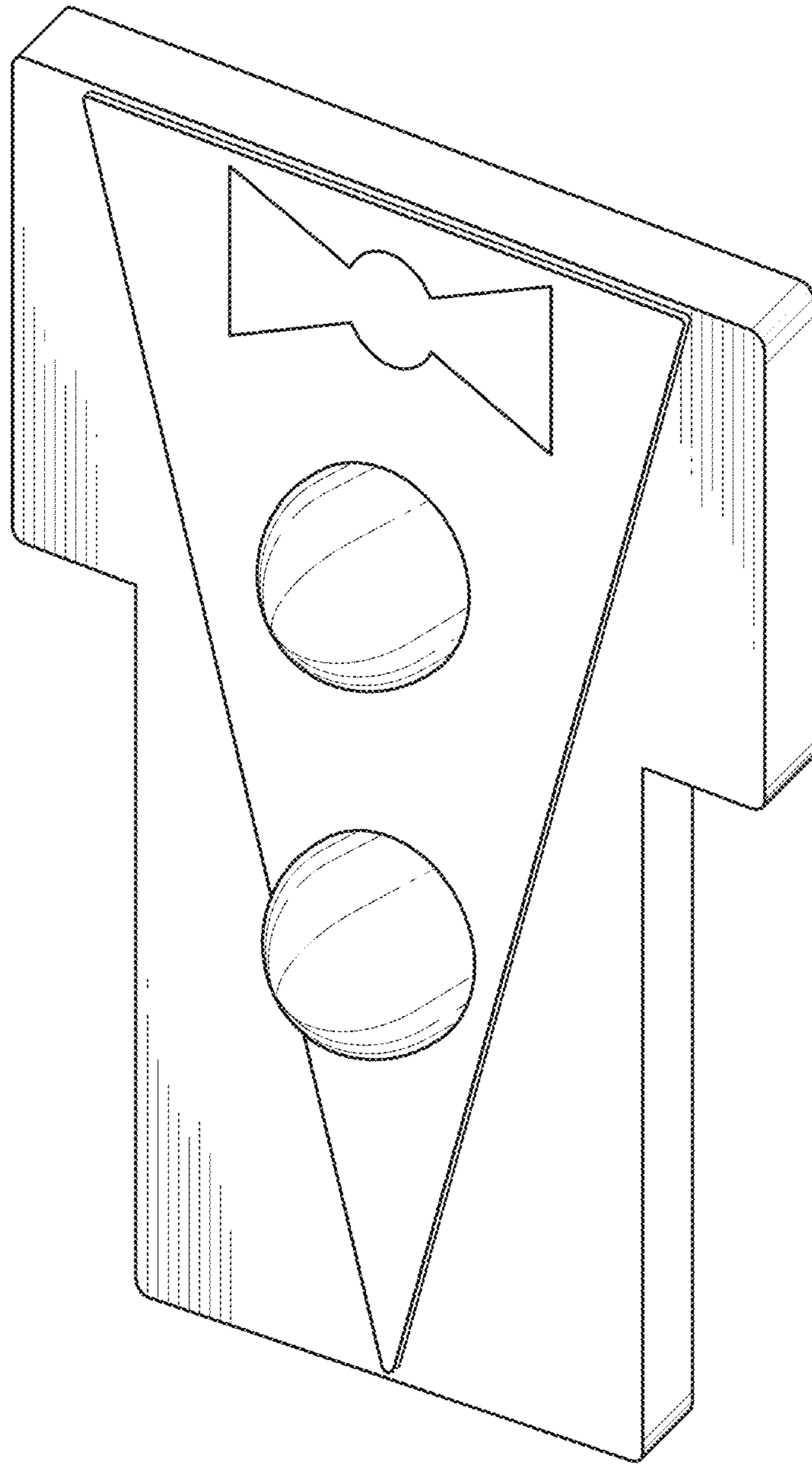


Fig. 1

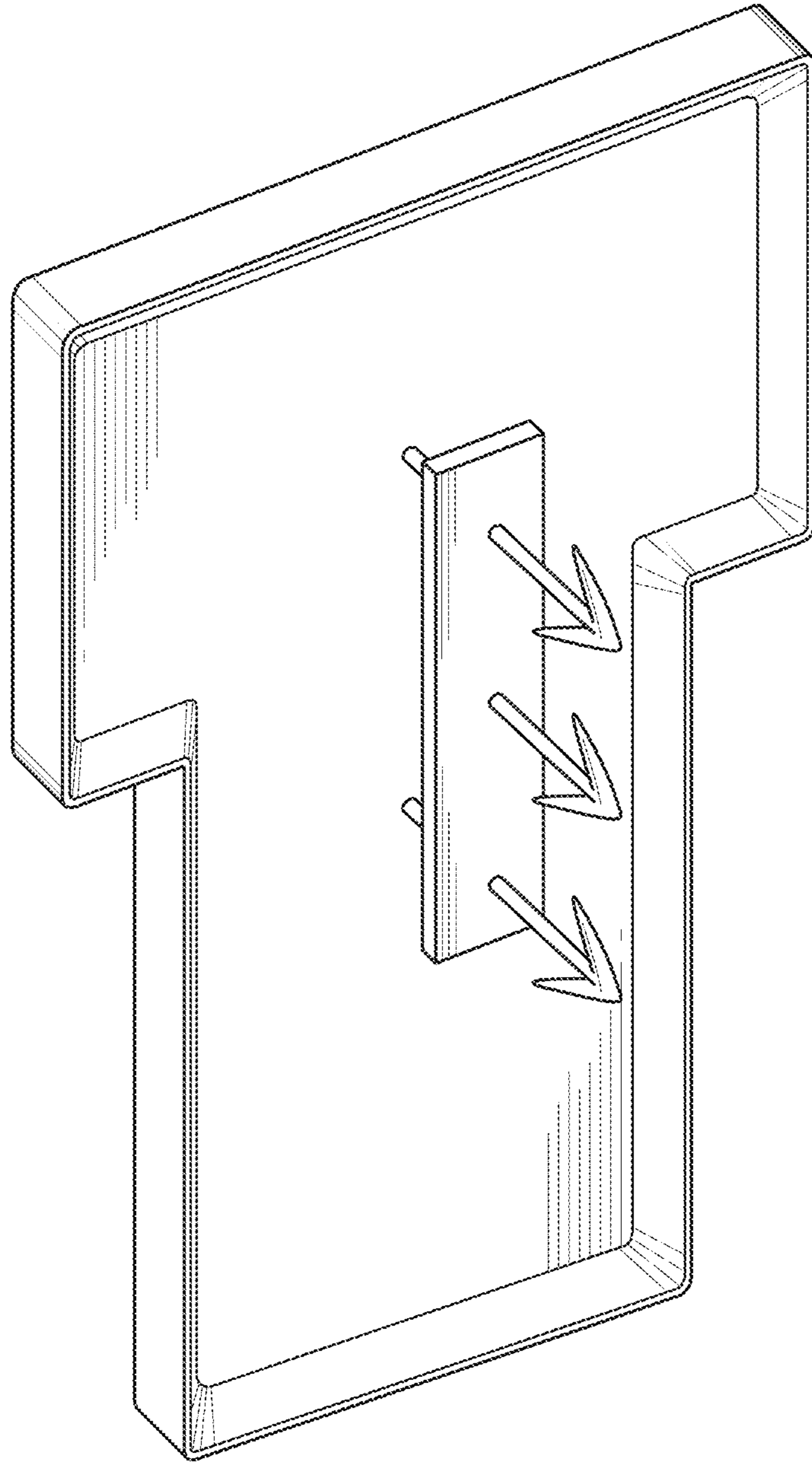


Fig. 2

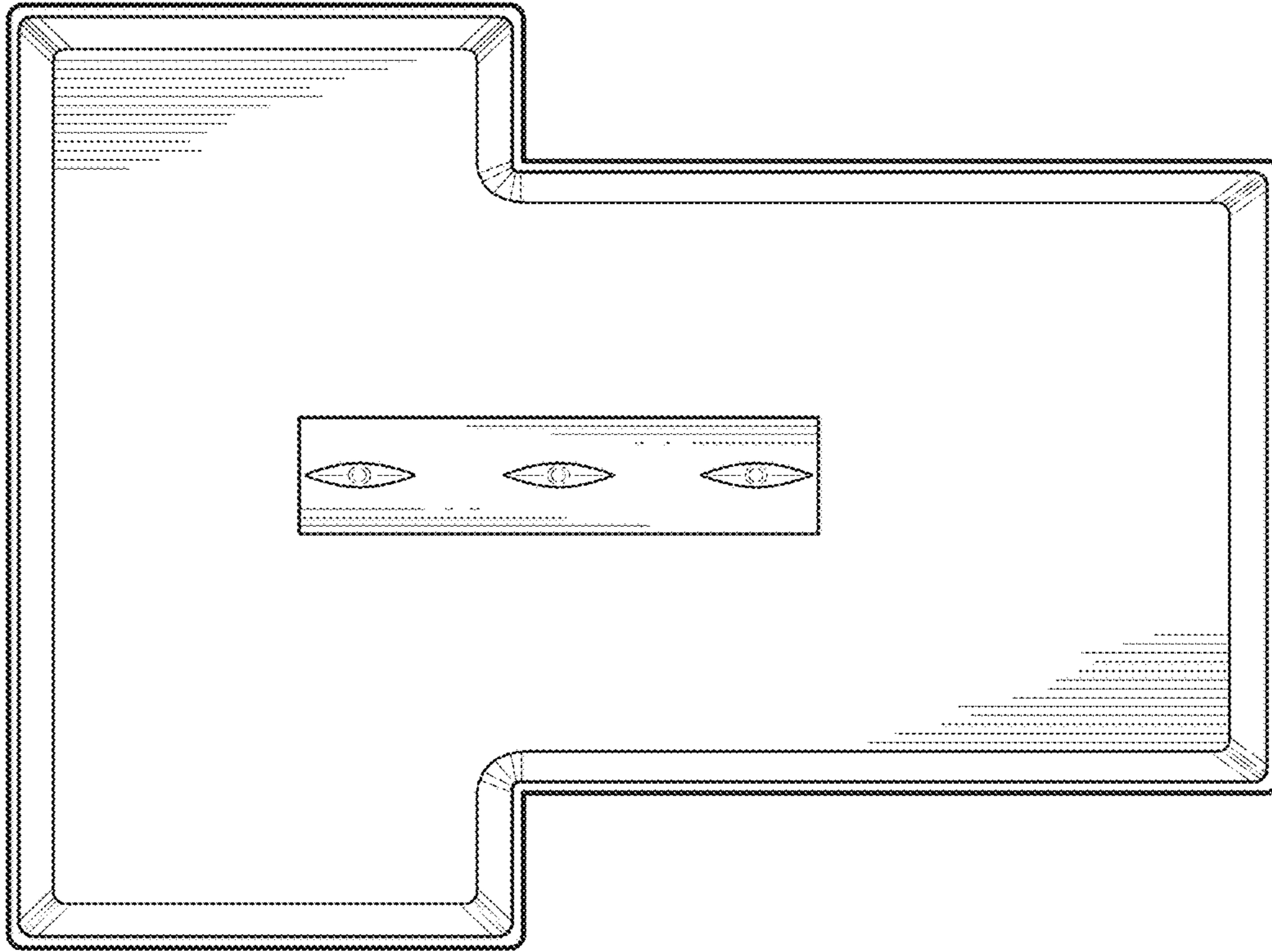


Fig. 4

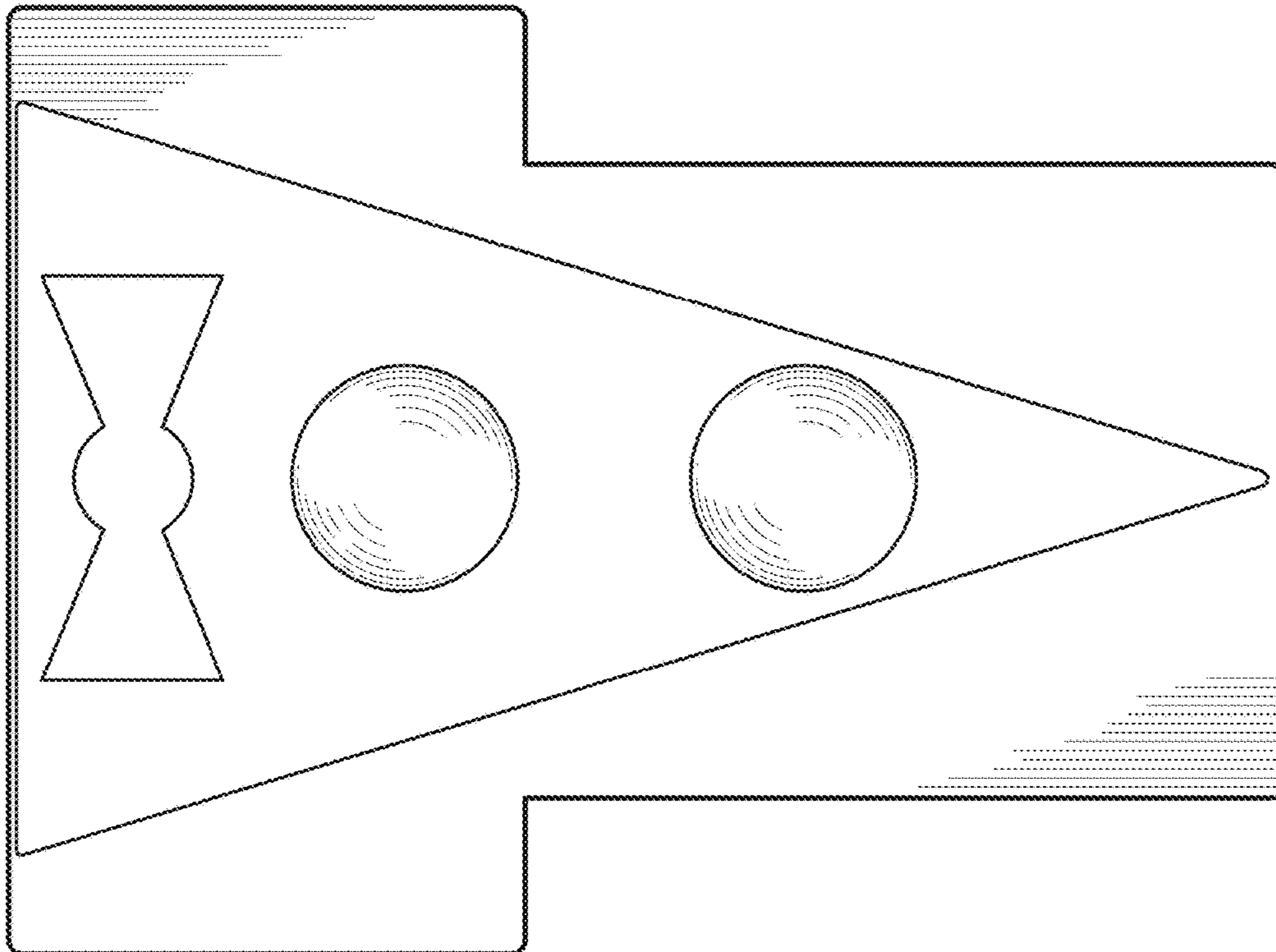


Fig. 3

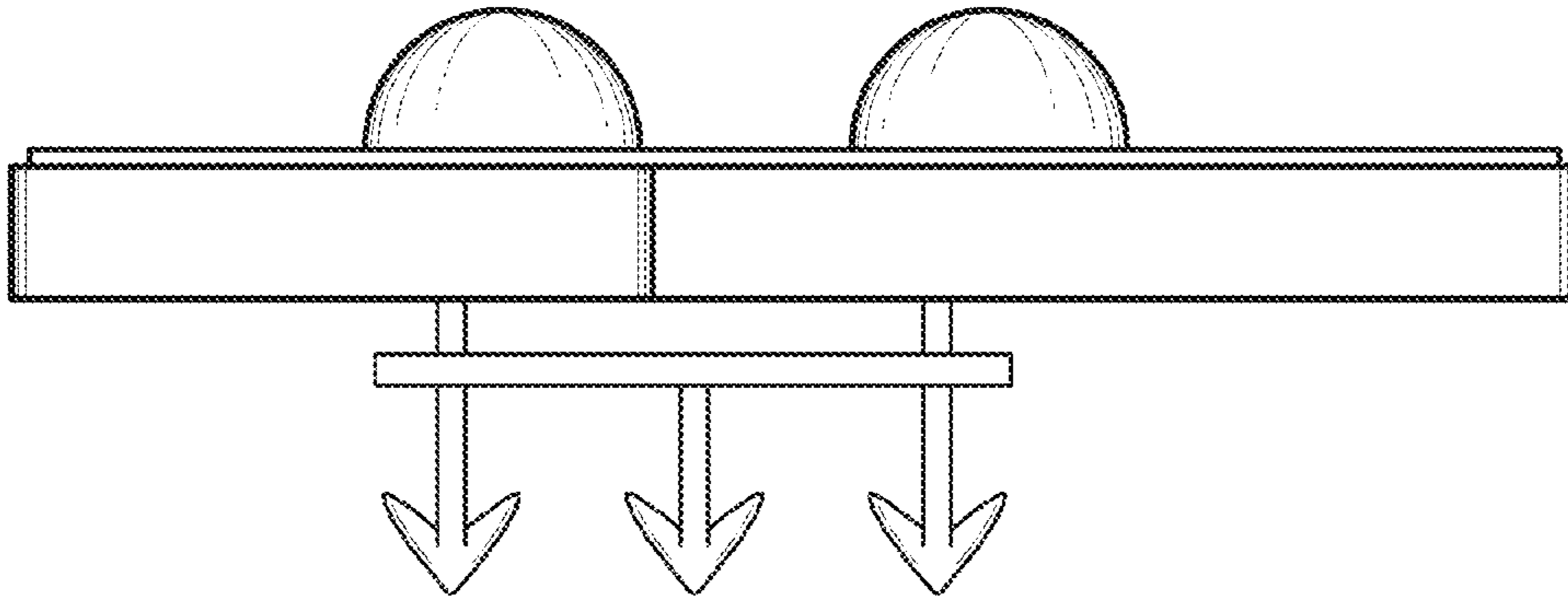


Fig. 5

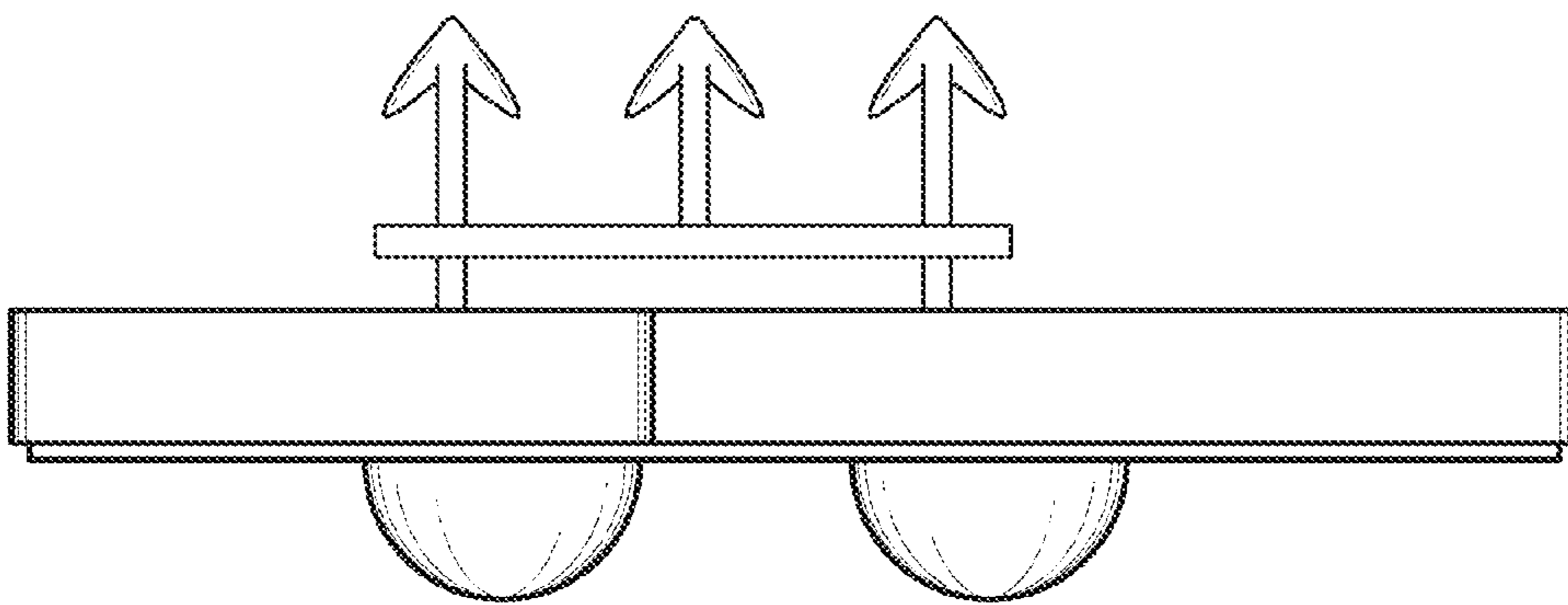


Fig. 6

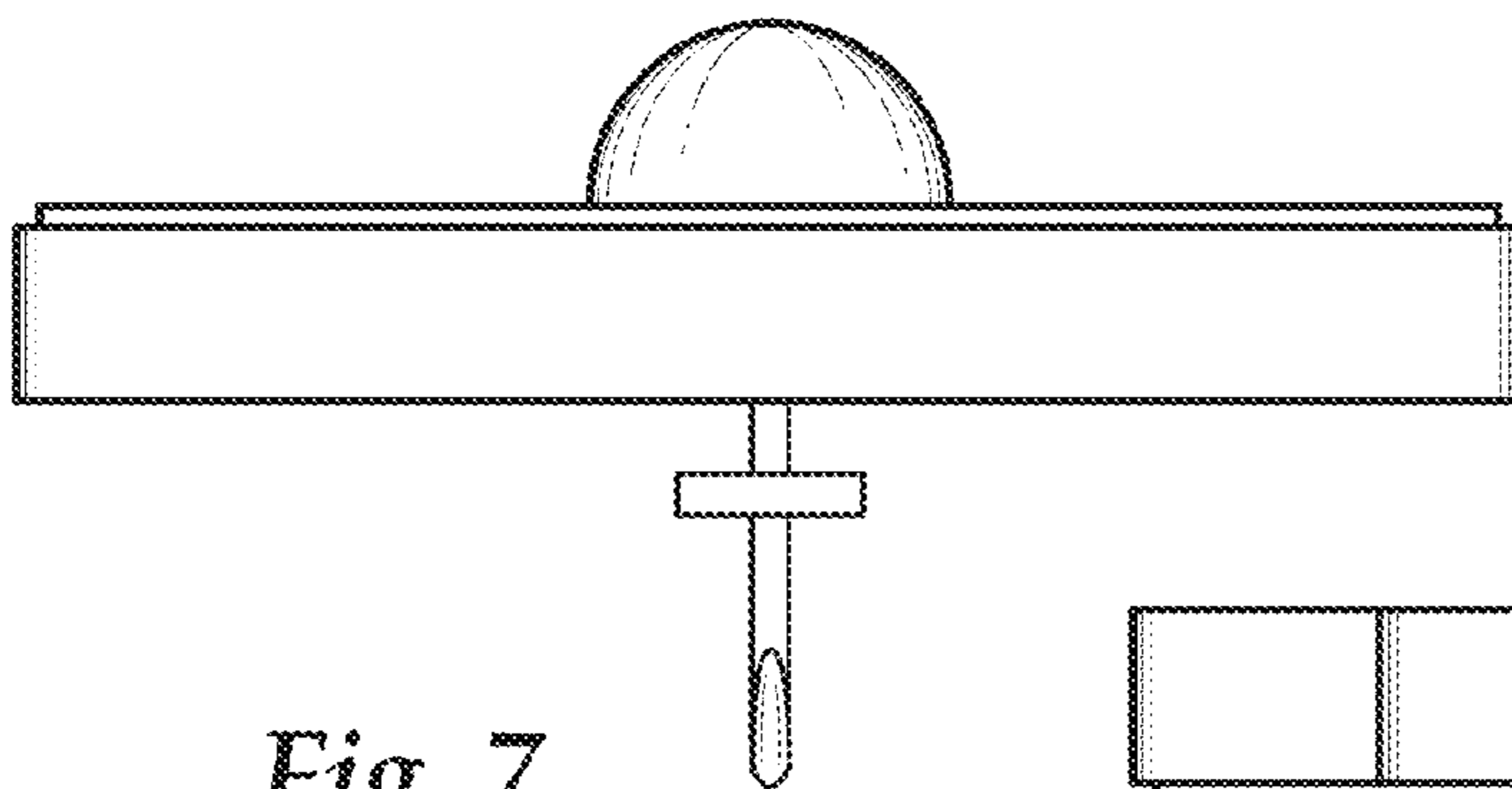


Fig. 7

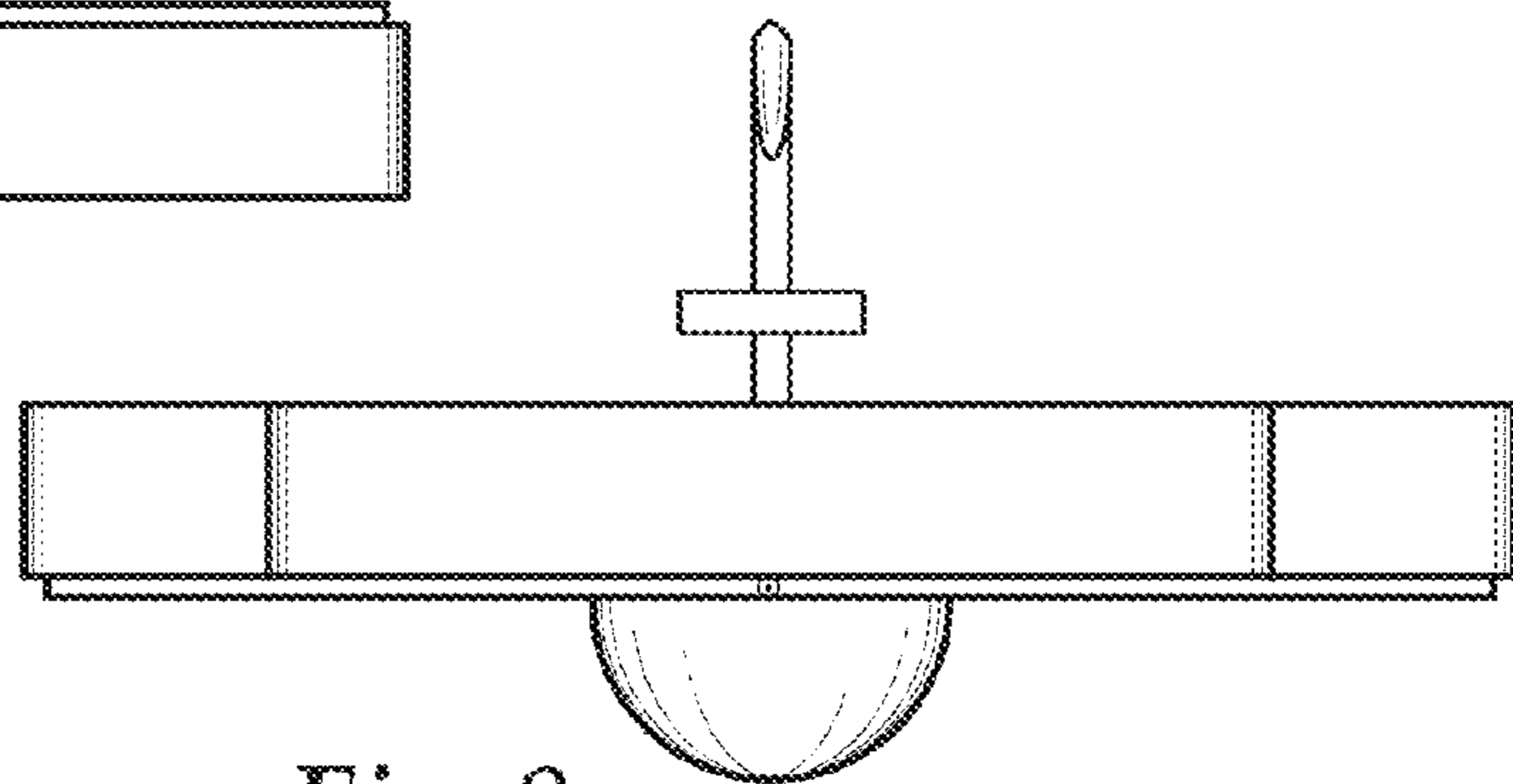


Fig. 8

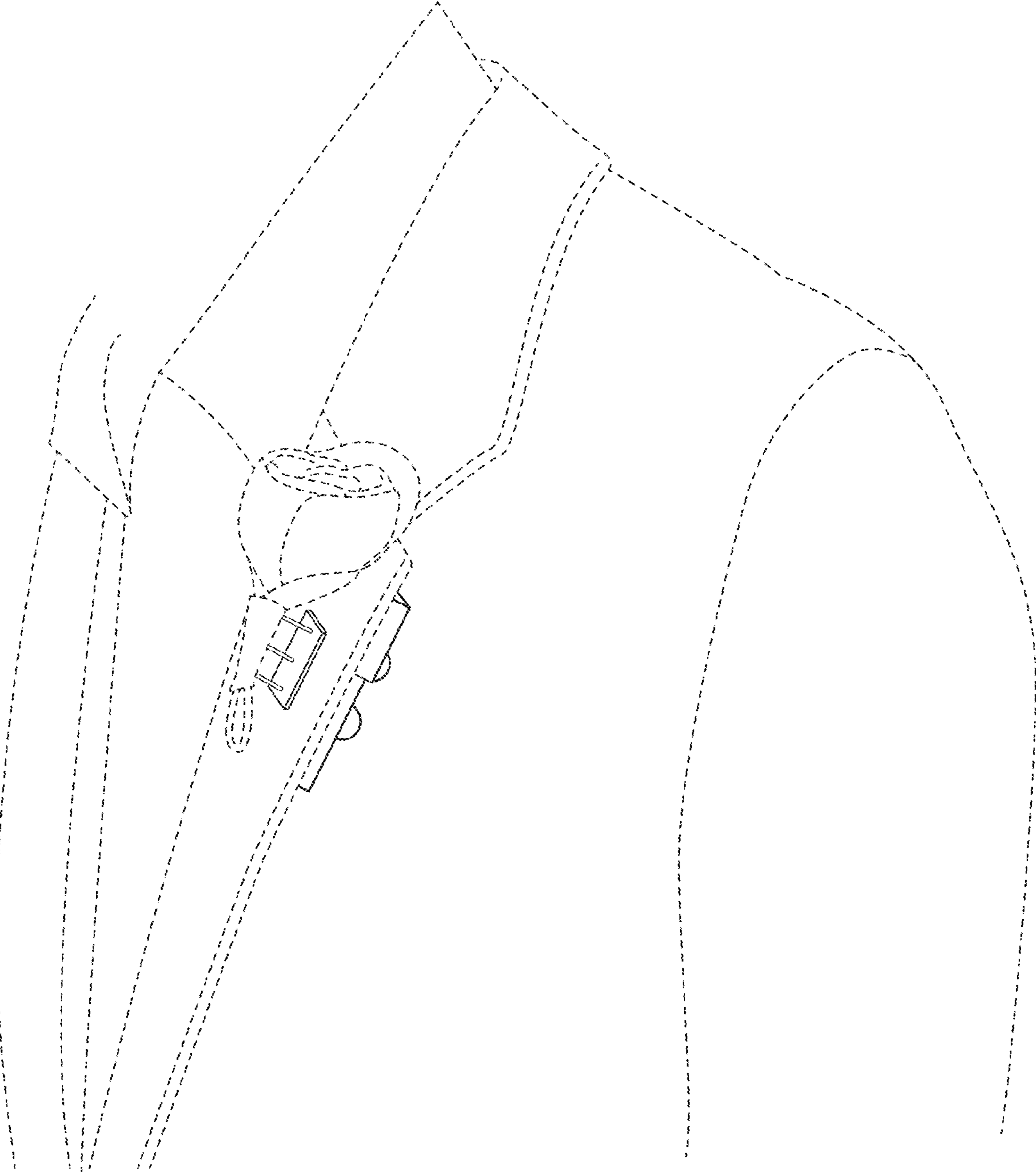


Fig. 9

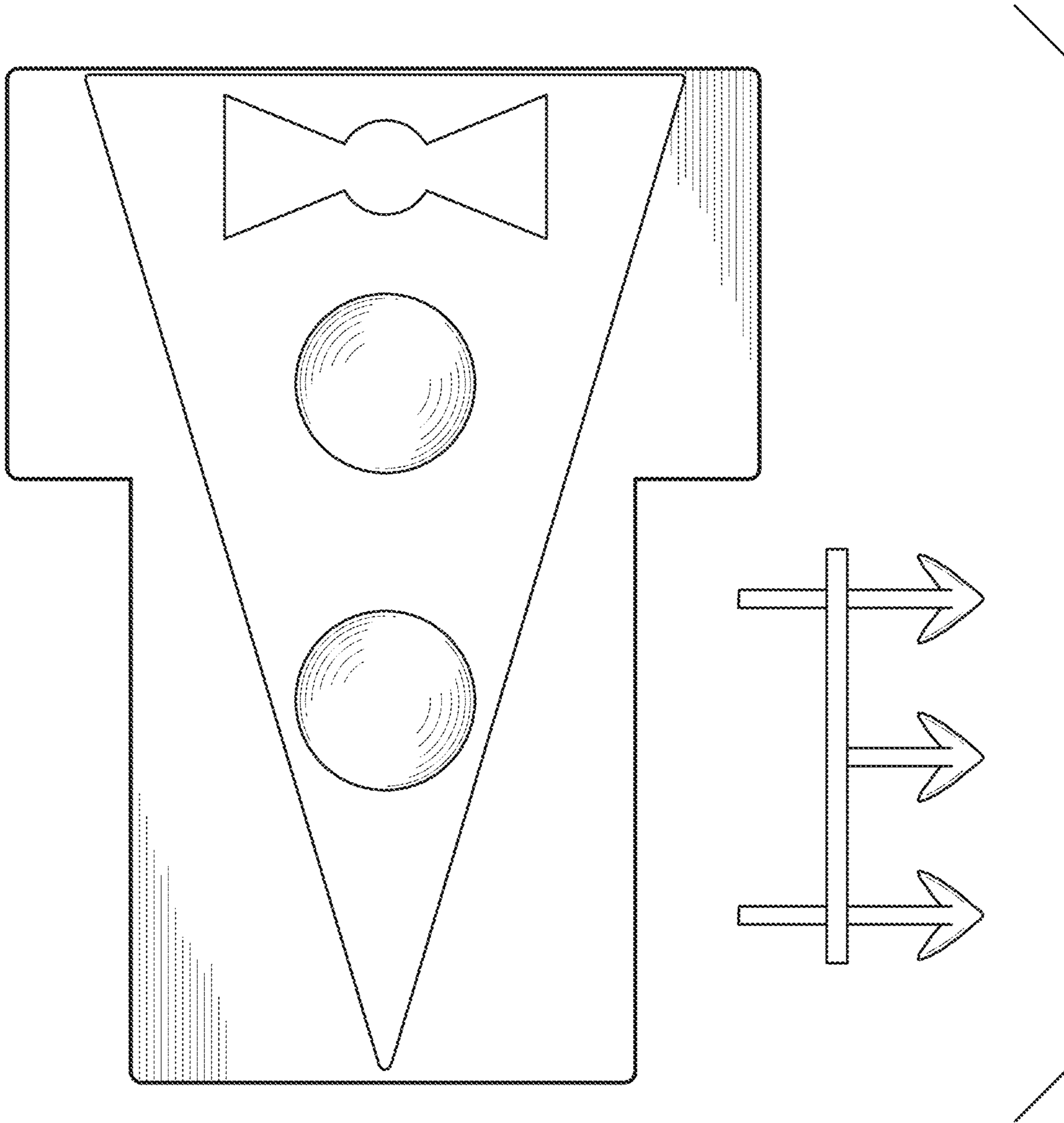


Fig. 10