



US00D888593S

(12) **United States Design Patent** (10) **Patent No.:** **US D888,593 S**
Kristensson et al. (45) **Date of Patent:** **** Jun. 30, 2020**

(54) **PART OF A BURGLAR ALARM**

(56) **References Cited**

(71) Applicant: **VERISURE SÀRL**, Versoix (CH)

U.S. PATENT DOCUMENTS

(72) Inventors: **Daniel Kristensson**, Saxtorp (SE);
Henrik Mårtensson, Lund (SE); **Kajsa Aspegren**, Falsterbo (SE); **Bayden Filleul**, Dublin (IE); **Eoin McNally**, Dublin (IE); **Ryan Helps**, Malmö (SE); **Kim McKenzie Doyle**, Carlow (IE); **Emmanuelle Choteau**, Lille (FR); **Diarmuid MacMahon**, Dublin (IE)

D449,244 S 10/2001 Ginzel
D519,394 S * 4/2006 DiPasquale D10/106.1
D534,089 S 12/2006 Disselkoen et al.
D537,746 S 3/2007 Kageyama
D559,718 S 1/2008 Schaeken
D559,719 S 1/2008 Schaeken et al.
D632,600 S 2/2011 Noguchi
D666,934 S 9/2012 Krumpel et al.
D680,013 S 4/2013 Ikeda et al.
D713,277 S 9/2014 Hasegawa et al.
D726,179 S 4/2015 Orthey
D744,884 S 12/2015 Roberts et al.
D747,228 S 1/2016 Fiedler et al.
D757,586 S 5/2016 Li
D777,050 S 1/2017 Will et al.
D778,185 S 2/2017 Ookawa et al.

(73) Assignee: **VERISURE SÀRL**, Versoix (CH)

(**) Term: **15 Years**

(Continued)

(21) Appl. No.: **29/659,171**

FOREIGN PATENT DOCUMENTS

(22) Filed: **Aug. 7, 2018**

EMRCD-000422308-0002 S 11/2005
EMRCD-000442124-0001 S 1/2006

(Continued)

Related U.S. Application Data

Primary Examiner — George D. Kirschbaum

(62) Division of application No. 35/502,893, filed on Oct. 25, 2016 (U.S. filing date under 35 U.S.C. 384), and having an international filing date of Oct. 25, 2016, now Pat. No. Des. 834,978.

(74) *Attorney, Agent, or Firm* — Moser Taboada

(57) **CLAIM**

The ornamental design for part of a burglar alarm, as shown and described.

(30) **Foreign Application Priority Data**

DESCRIPTION

Oct. 25, 2016 (WO) DM/093169

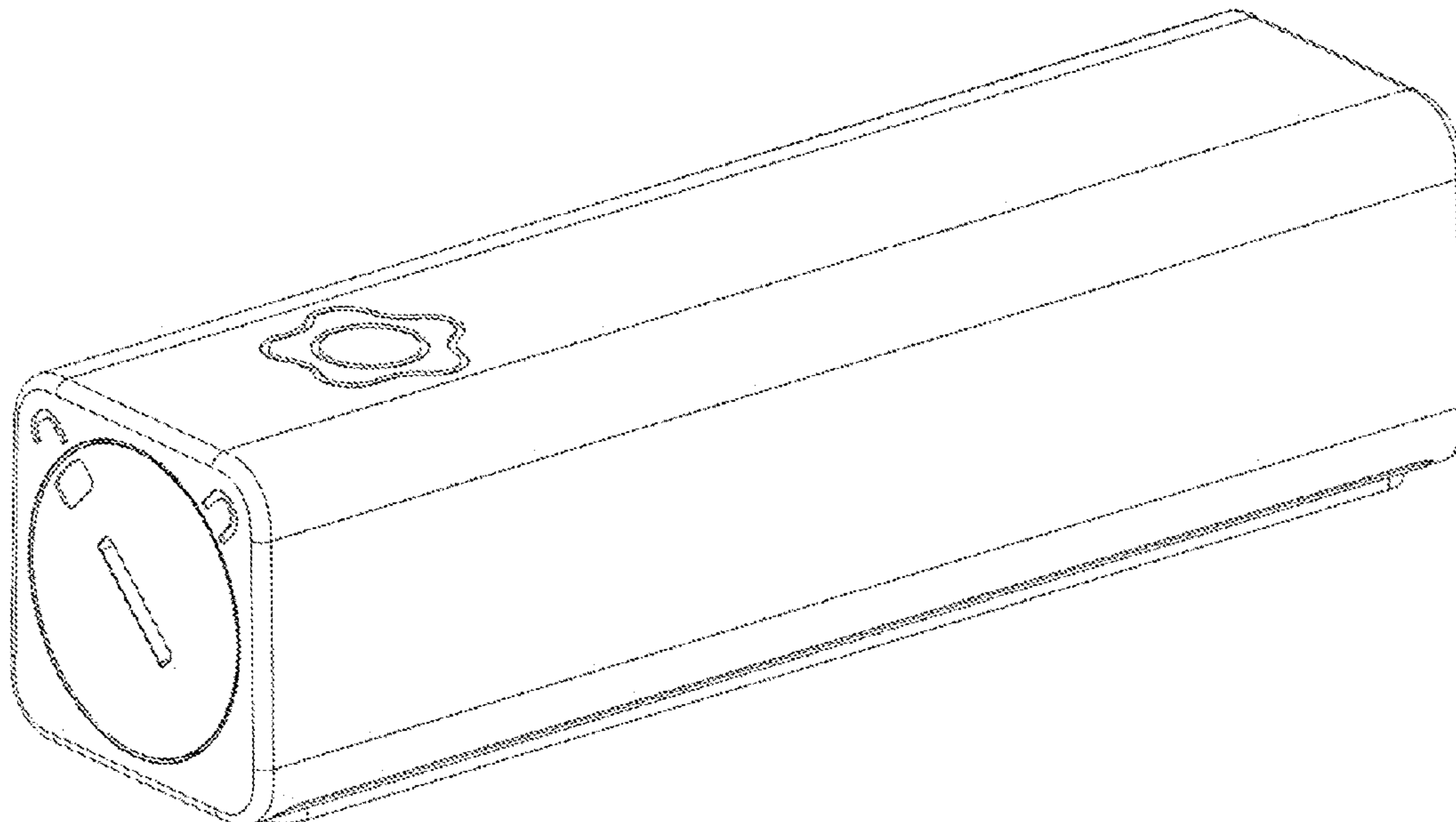
(51) **LOC (12) Cl.** **10-05**

(52) **U.S. Cl.**
USPC **D10/106.1**

(58) **Field of Classification Search**
USPC D10/106, 106.1; D8/330
See application file for complete search history.

FIG. 1 is a front isometric view of part of a burglar alarm embodying the new design;
FIG. 2 is a right side view of the design shown in FIG. 1;
FIG. 3 is a left side view of the design shown in FIG. 1;
FIG. 4 is a top view of the design shown in FIG. 1;
FIG. 5 is a front view of the design shown in FIG. 1; and,
FIG. 6 is a rear view of the design shown in FIG. 1.

1 Claim, 6 Drawing Sheets



(56)

References Cited

U.S. PATENT DOCUMENTS

D786,106 S 5/2017 Yau
D787,299 S * 5/2017 Liu D8/330
D788,603 S 6/2017 Liu
D789,819 S * 6/2017 Chen D10/106.6
D793,262 S 8/2017 Geskin et al.
D793,888 S 8/2017 Hasegawa
D796,364 S 9/2017 Konotopskyi et al.
D803,187 S 11/2017 Gunnarsson et al.
D805,941 S 12/2017 Jou et al.
D806,671 S 1/2018 Kalyuzhny et al.
D806,678 S 1/2018 Reichert et al.
D807,320 S 1/2018 Wong
D809,951 S 2/2018 Yang et al.
D833,311 S * 11/2018 Reimer D10/106.6
D860,023 S * 9/2019 MacMahon D10/106.1
D868,609 S * 12/2019 Wang D10/106.6

FOREIGN PATENT DOCUMENTS

EMRCD-001783051-0001 S 11/2010
EMRCD-001783051-0002 S 11/2010
EMRCD-001783051-0004 S 11/2010
EMRCD-001783051-0005 S 11/2010
EMRCD-001783051-0006 S 11/2010
FR 006594 S 11/2000
NO 079807 S 4/2006
NO 080069 S 5/2006

* cited by examiner

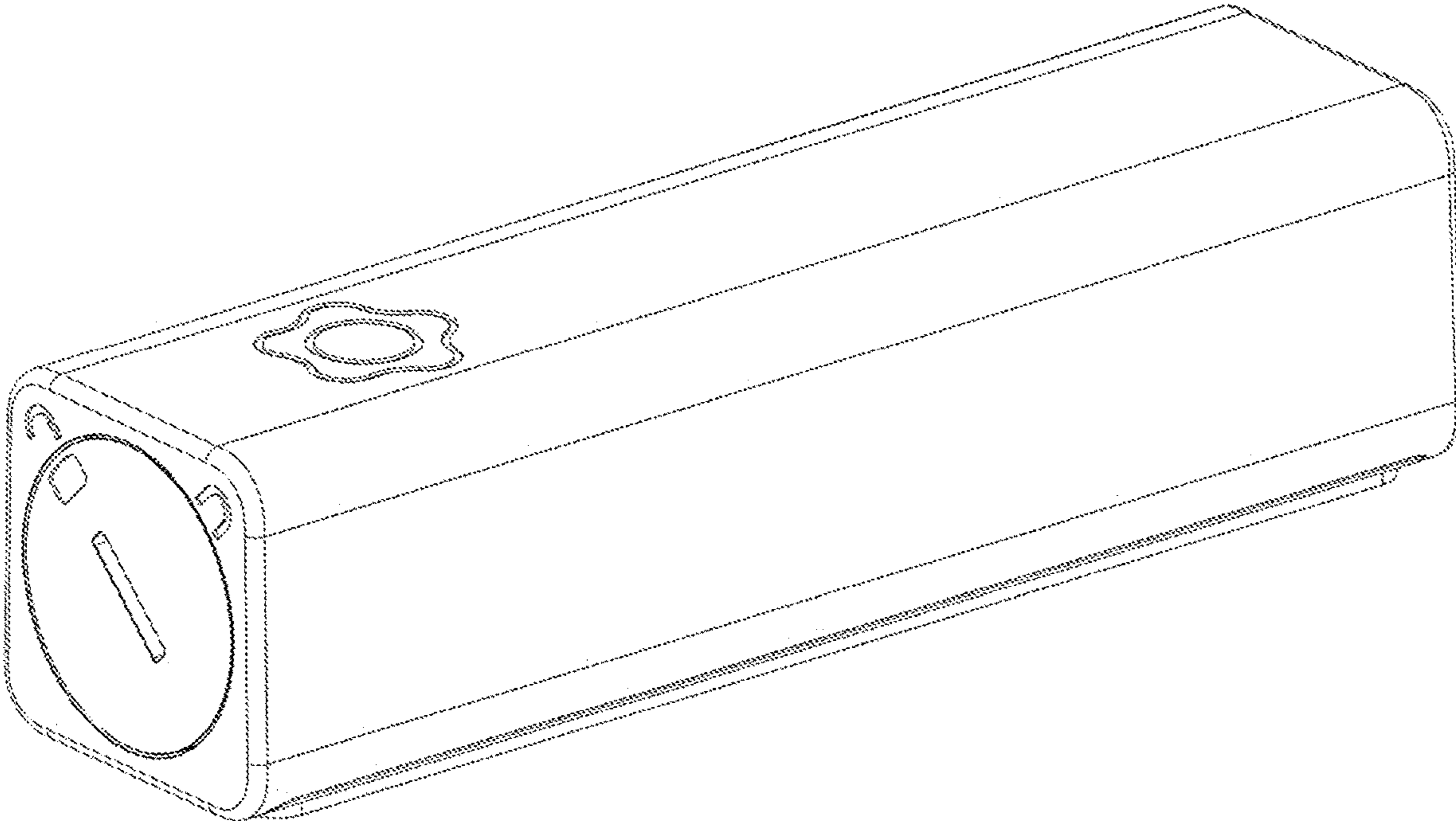


FIG. 1

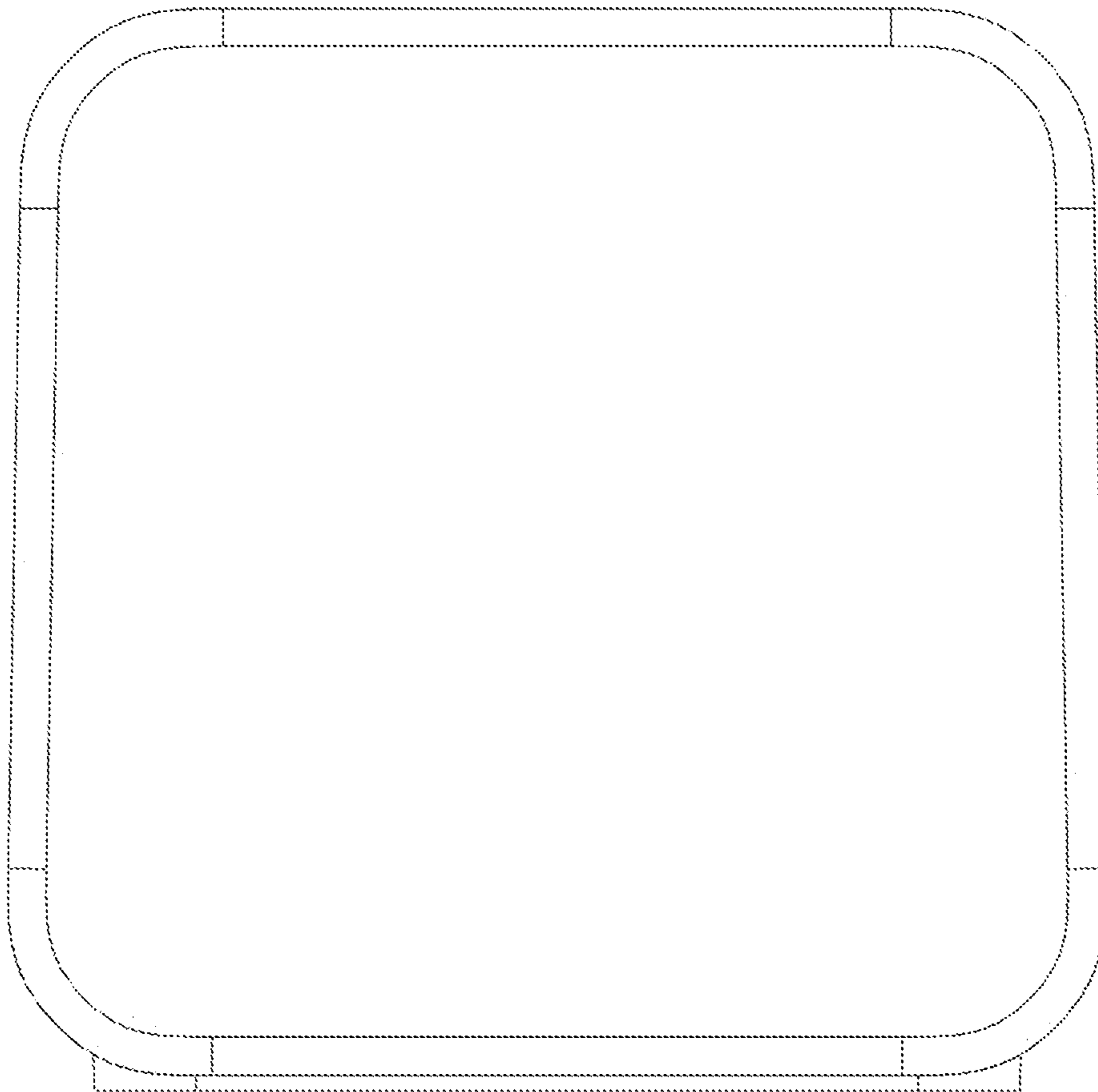


FIG. 2

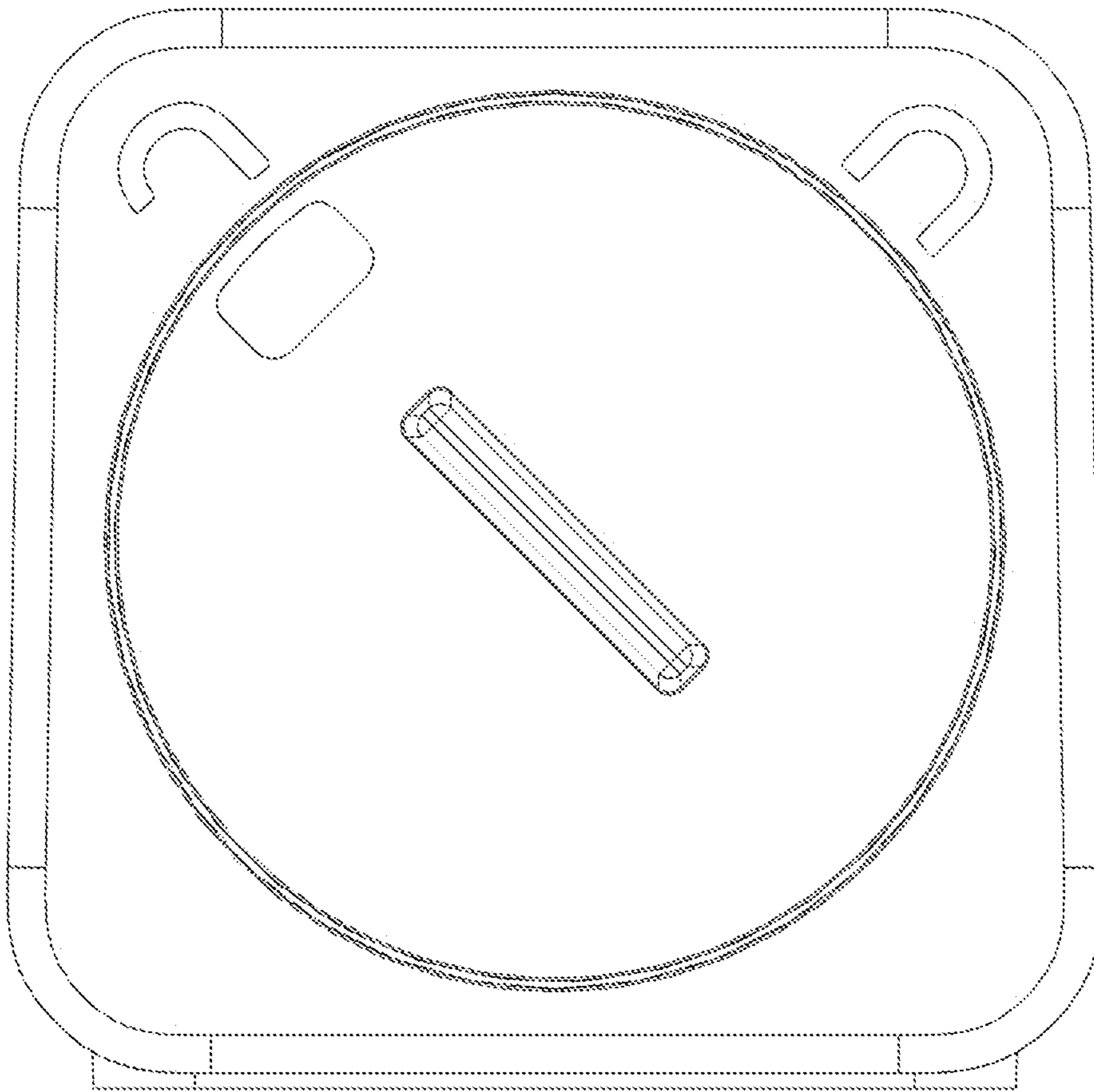


FIG. 3

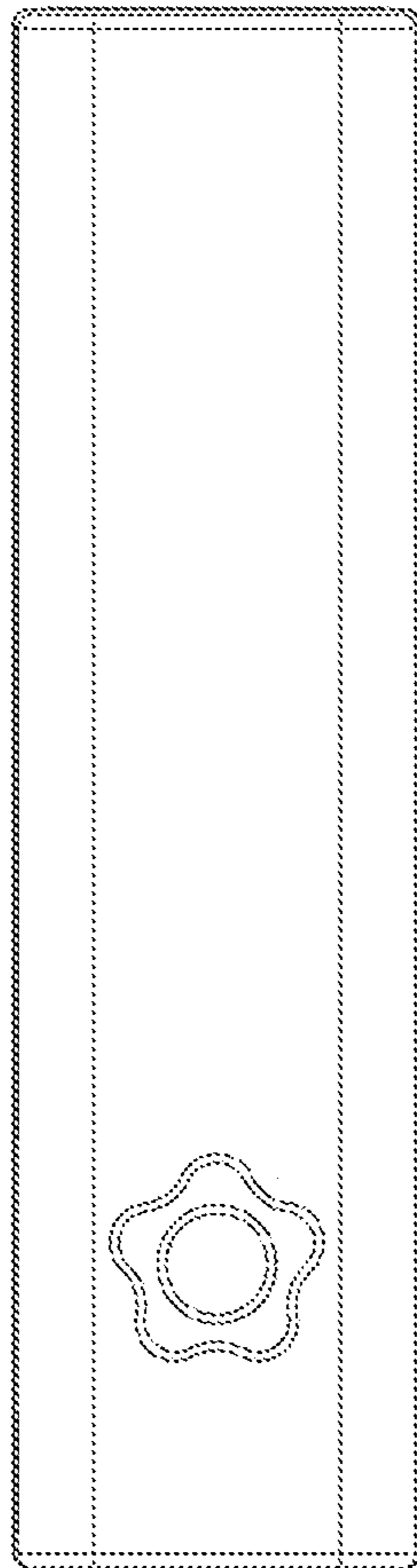


FIG. 4

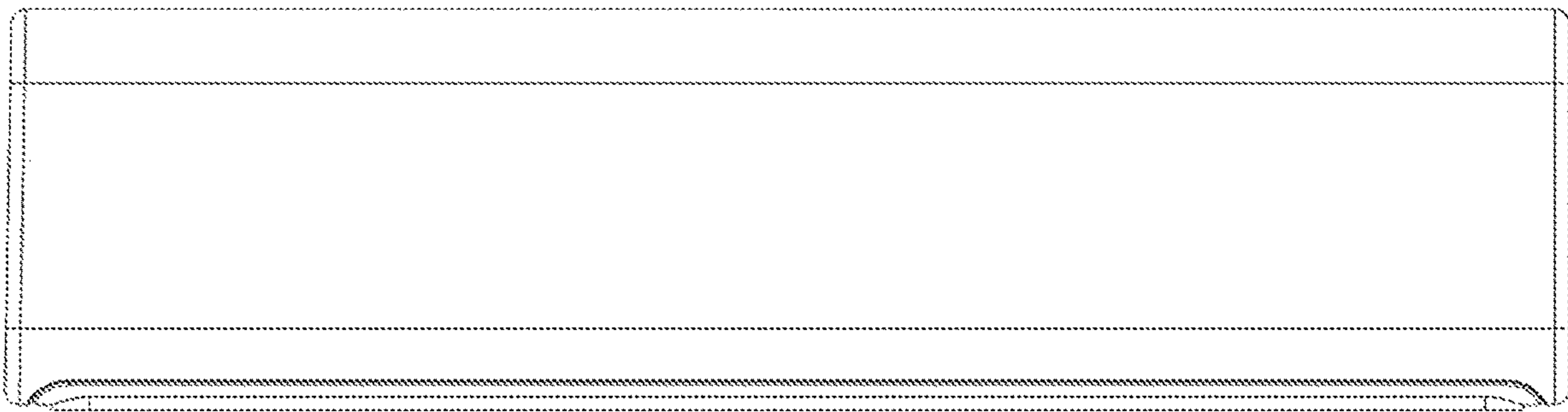


FIG. 5

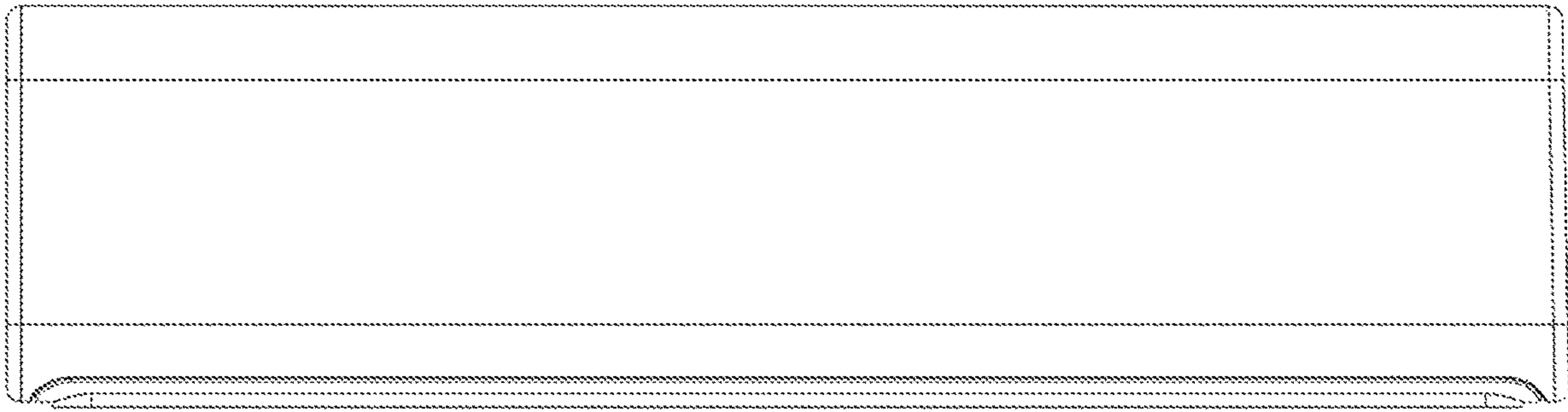


FIG. 6