



US00D888592S

(12) **United States Design Patent**
Huckestein

(10) **Patent No.:** **US D888,592 S**

(45) **Date of Patent:** **** Jun. 30, 2020**

(54) **WEIGHT SCALE**

(71) Applicant: **William Huckestein**, Ventura, CA (US)

(72) Inventor: **William Huckestein**, Ventura, CA (US)

(**) Term: **15 Years**

(21) Appl. No.: **29/639,423**

(22) Filed: **Mar. 6, 2018**

Related U.S. Application Data

(62) Division of application No. 29/593,872, filed on Feb. 14, 2017, now Pat. No. Des. 834,434.

(51) **LOC (12) Cl.** **10-04**

(52) **U.S. Cl.**
USPC **D10/92**

(58) **Field of Classification Search**
USPC D6/329, 348, 362, 364, 365, 367, 371,
D6/382, 512, 708, 708.24, 708.25, 709,
D6/710; D10/46, 53, 82, 83, 84, 87-95,
D10/102, 122, 123, 104.1, 106.6, 121,
D10/125; D15/199; D24/232
CPC G01G 3/02; G01G 3/08; G01G 19/44;
G01G 19/46; G01G 19/4146; G01G
23/20

See application file for complete search history.

(56) **References Cited**

U.S. PATENT DOCUMENTS

D314,352 S	*	2/1991	Gerlach	D10/92
D315,693 S	*	3/1991	Seiffert	D10/92
D317,578 S	*	6/1991	Joss	D10/92
D325,540 S	*	4/1992	Seiffert	D10/92
D328,716 S	*	8/1992	Seiffert	D10/92
D332,060 S	*	12/1992	Mox	D10/92
D343,132 S	*	1/1994	Vogel	D10/92

D362,398 S	*	9/1995	Gebhardt	D10/53
D376,551 S	*	12/1996	O'Neil	D10/92
D377,765 S	*	2/1997	O'Neil	D10/92
D388,347 S	*	12/1997	Fabian	D10/92
D447,971 S	*	9/2001	Leverrier	D10/92
D476,250 S	*	6/2003	van de Wiel	D10/92
D490,082 S	*	5/2004	Lenaerts	D14/439
D498,692 S	*	11/2004	Vuckovic	D10/92
D520,675 S	*	5/2006	Chen	D10/92
D538,189 S	*	3/2007	Aglassinger	D10/92
D578,914 S	*	10/2008	Otsuka	D10/92
D596,971 S	*	7/2009	Kesselman	D10/91
D758,233 S	*	6/2016	Lowery	D10/128
D817,797 S	*	5/2018	Huckestein	D10/91
D834,434 S	*	11/2018	Huckestein	D10/87
D853,259 S	*	7/2019	Huckestein	D10/91

* cited by examiner

Primary Examiner — Michael C Stout

Assistant Examiner — Fritzgerald L Butac

(74) *Attorney, Agent, or Firm* — Quickpatents, LLC;
Kevin Prince

(57) **CLAIM**

I claim the ornamental design for a weight scale, as shown and described.

DESCRIPTION

FIG. 1 is a perspective view of a weight scale, showing my new design;

FIG. 2 is a top plan view thereof;

FIG. 3 is a bottom plan view thereof;

FIG. 4 is a right-side elevational view thereof;

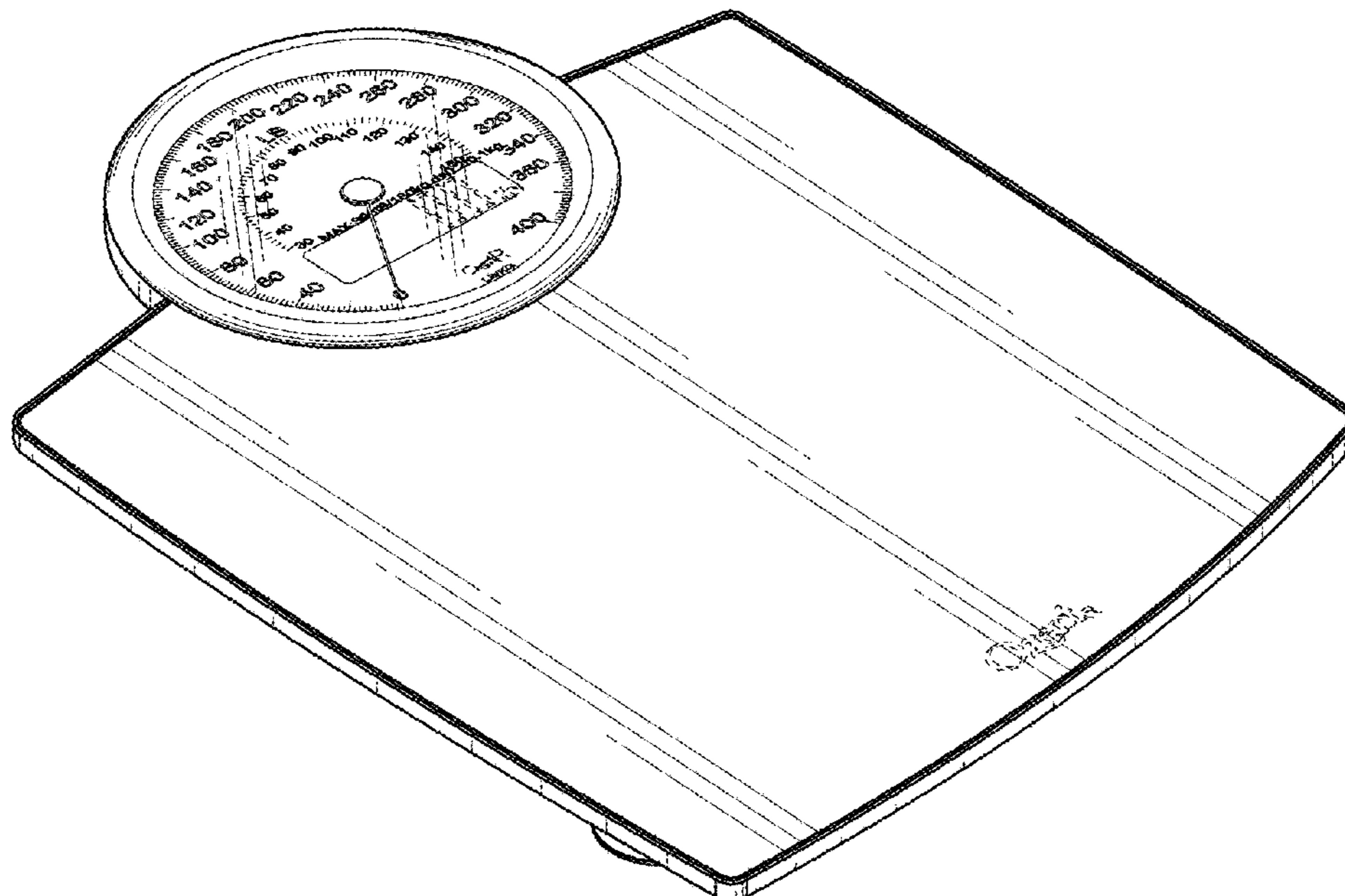
FIG. 5 is a left-side elevational view thereof;

FIG. 6 is a front elevational view thereof; and,

FIG. 7 is a rear elevational view thereof.

The broken lines in the drawings depict portions of the weight scale that form no part of the claimed design.

1 Claim, 5 Drawing Sheets



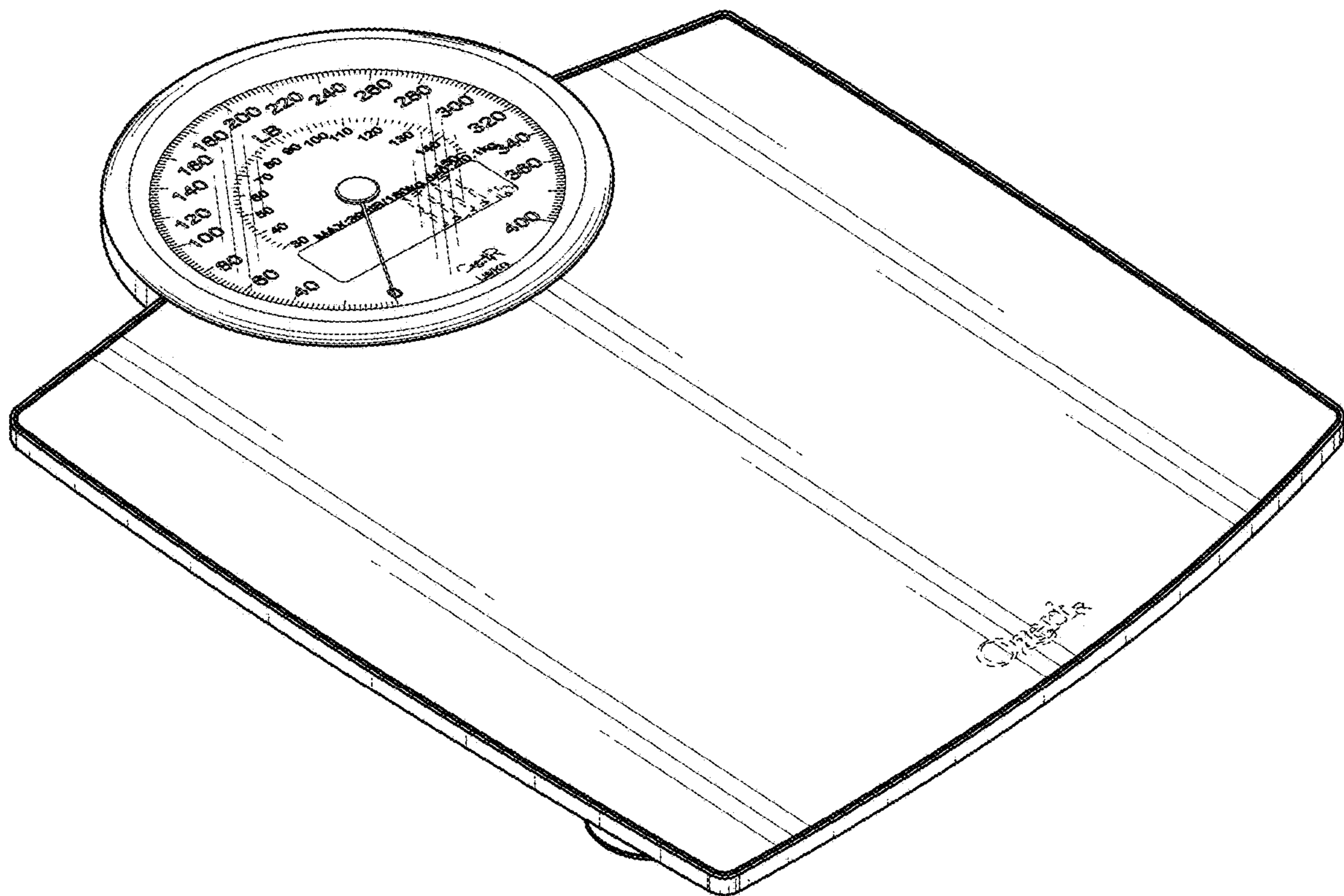


FIG. 1

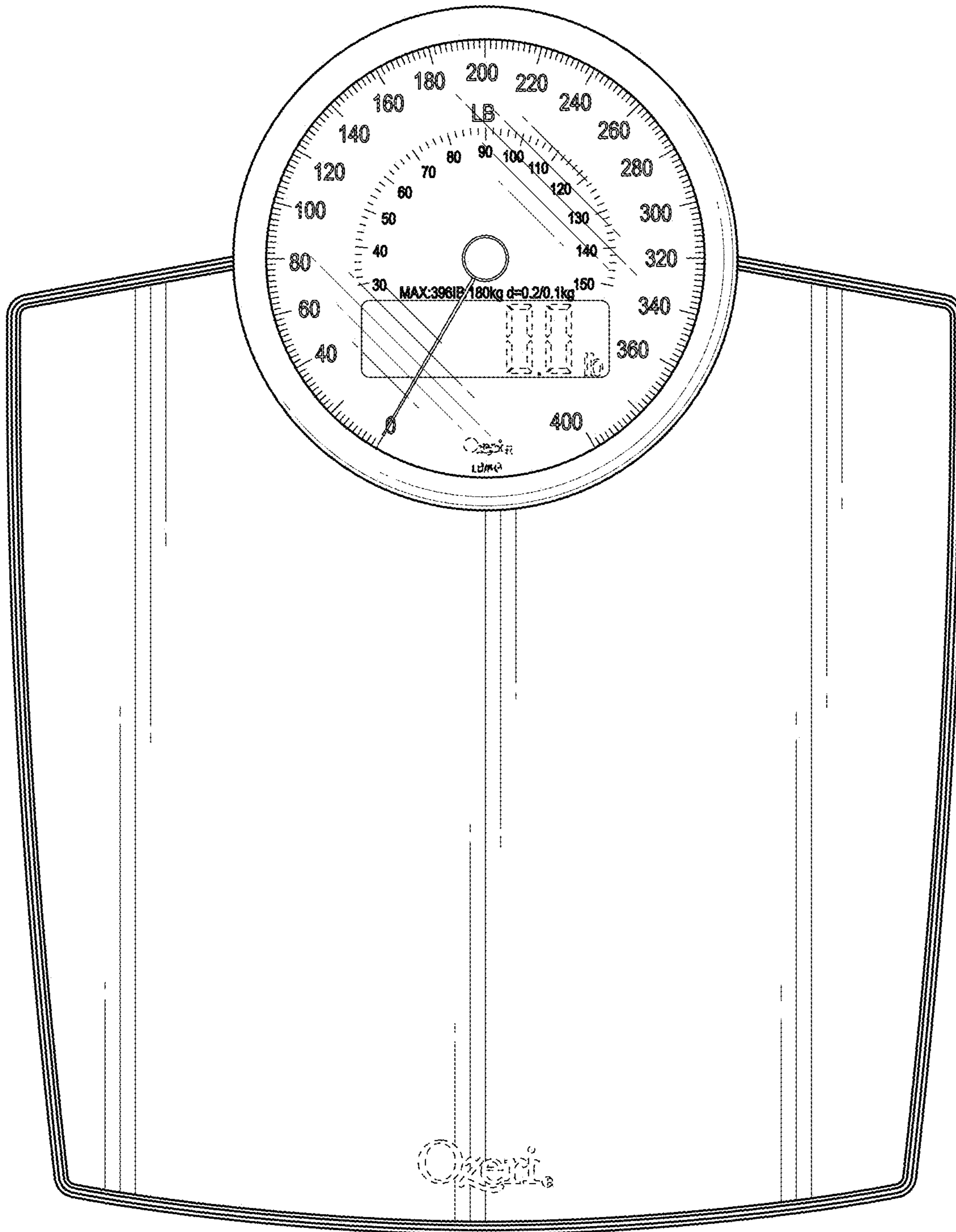


FIG. 2

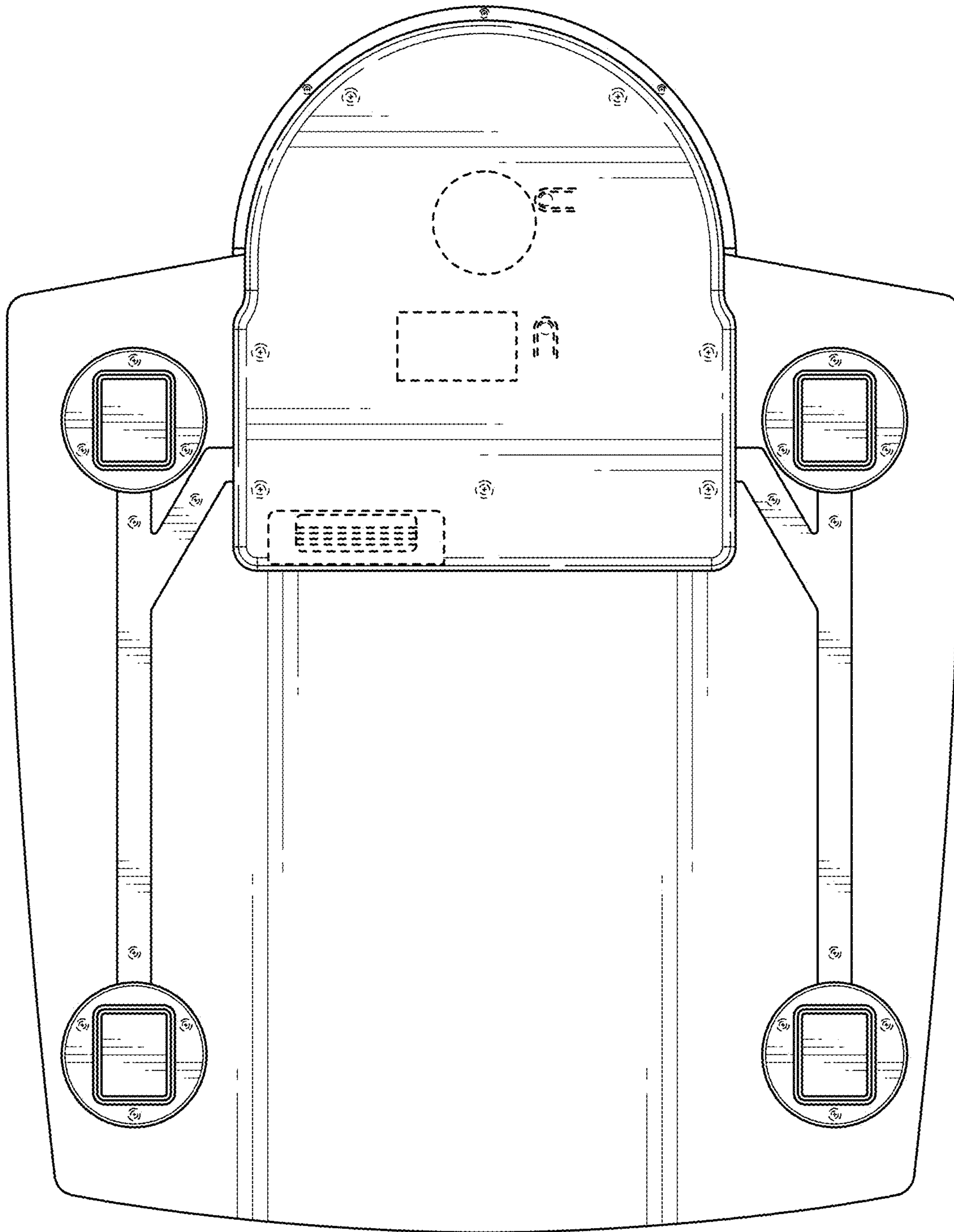


FIG. 3

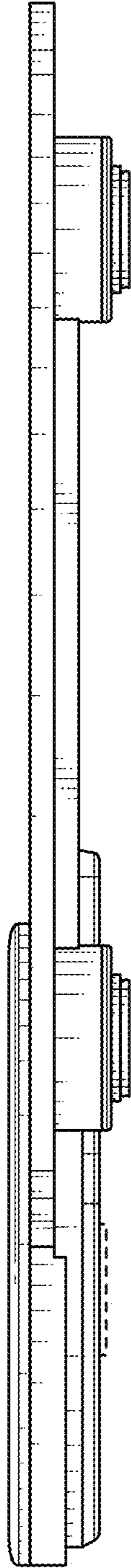


FIG. 4

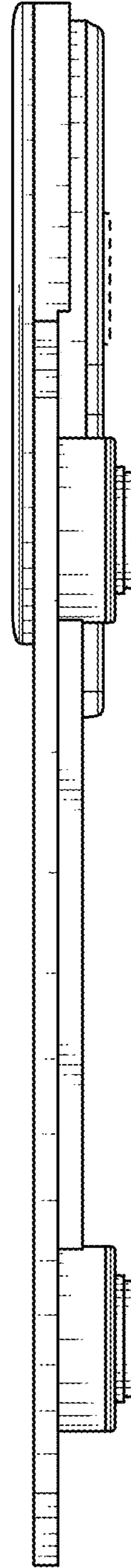


FIG. 5

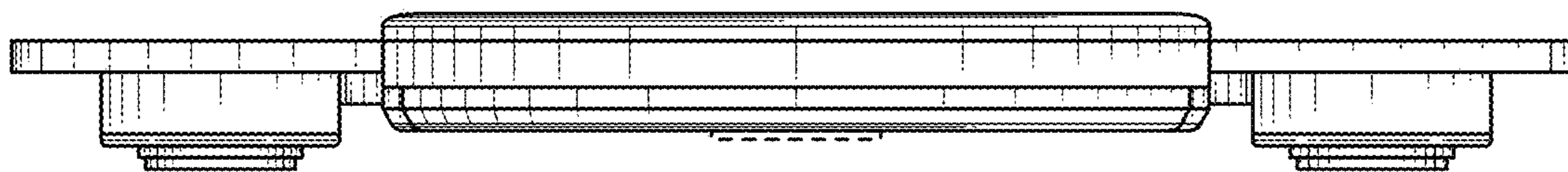


FIG. 6

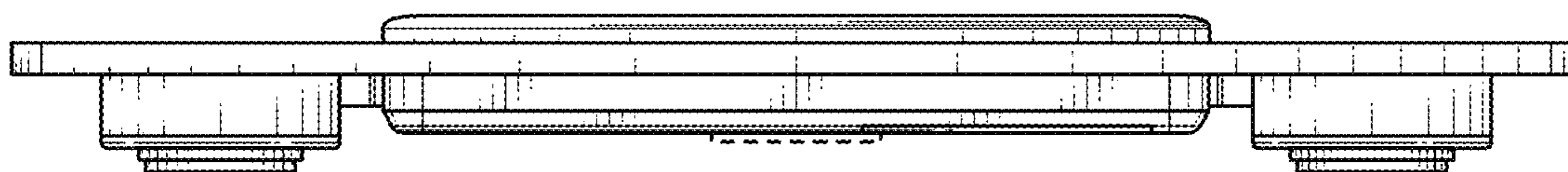


FIG. 7