



US00D888591S

(12) **United States Design Patent** (10) **Patent No.:** **US D888,591 S**  
**Destraz et al.** (45) **Date of Patent:** **\*\* Jun. 30, 2020**

(54) **HEIGHT GAUGE** 3,279,079 A \* 10/1966 Schiler ..... G01B 5/004  
33/556  
(71) Applicant: **TESA SA**, Renens (CH) D212,259 S \* 9/1968 Millan ..... D10/71  
3,994,071 A \* 11/1976 Schoffel ..... G01B 3/006  
(72) Inventors: **Hervé Destraz**, Neyruz-sur-Moudon D259,707 S \* 6/1981 Nishina ..... D10/73  
(CH); **Sebastien Granges**, Lausanne D268,738 S \* 4/1983 Yoshioka ..... D10/70  
(CH); **Michel Rochat**, Lussy-sur-Morges (CH) 6,401,352 B1 \* 6/2002 Kimura ..... G01B 5/061  
33/703  
(73) Assignee: **TESA SARL**, Renens (CH) 6,446,351 B1 \* 9/2002 Zhang ..... G01B 5/061  
33/556  
(\*\*) Term: **15 Years** D727,760 S \* 4/2015 Matsumiya ..... D10/70  
D764,324 S \* 8/2016 Zhang ..... D10/70  
D826,074 S \* 8/2018 Mariller ..... D10/70  
(21) Appl. No.: **35/506,473** 2010/0287786 A1 \* 11/2010 Biselx ..... G01B 5/008  
33/832

\* cited by examiner

(80) **Hague Agreement Data**  
Int. Filing Date: **Sep. 27, 2018**  
Int. Reg. No.: **DM/200224**  
Int. Reg. Date: **Sep. 27, 2018**  
Int. Reg. Pub. Date: **Mar. 29, 2019**

*Primary Examiner* — George D. Kirschbaum  
(74) *Attorney, Agent, or Firm* — Maschoff Brennan

(51) **LOC (12) Cl.** ..... **10-02**  
(52) **U.S. Cl.**  
USPC ..... **D10/70**

(57) **CLAIM**

The ornamental design for height gauge, as shown and described.

(58) **Field of Classification Search**  
USPC ..... D10/70, 71, 73  
CPC ..... G01B 5/008; G01B 5/061; G01B 3/006;  
G01B 5/004  
See application file for complete search history.

**DESCRIPTION**

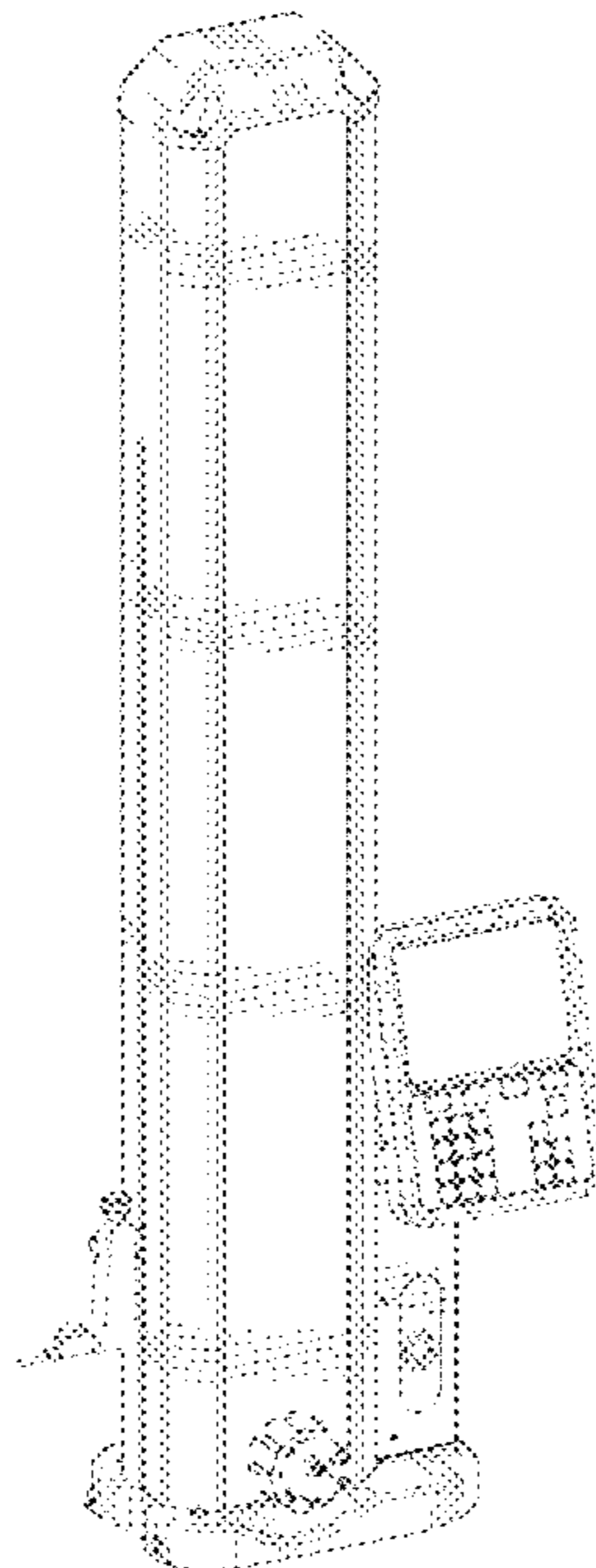
- 1.1 is a front perspective view.
- 1.2 is a front view.
- 1.3 is a rear view.
- 1.4 is a right side view.
- 1.5 is a left side view.
- 1.6 is a top view.
- 1.7 is a bottom view.

The broken line showing is included for the purpose of illustrating portions of the “article” and forms no part of the claimed design.

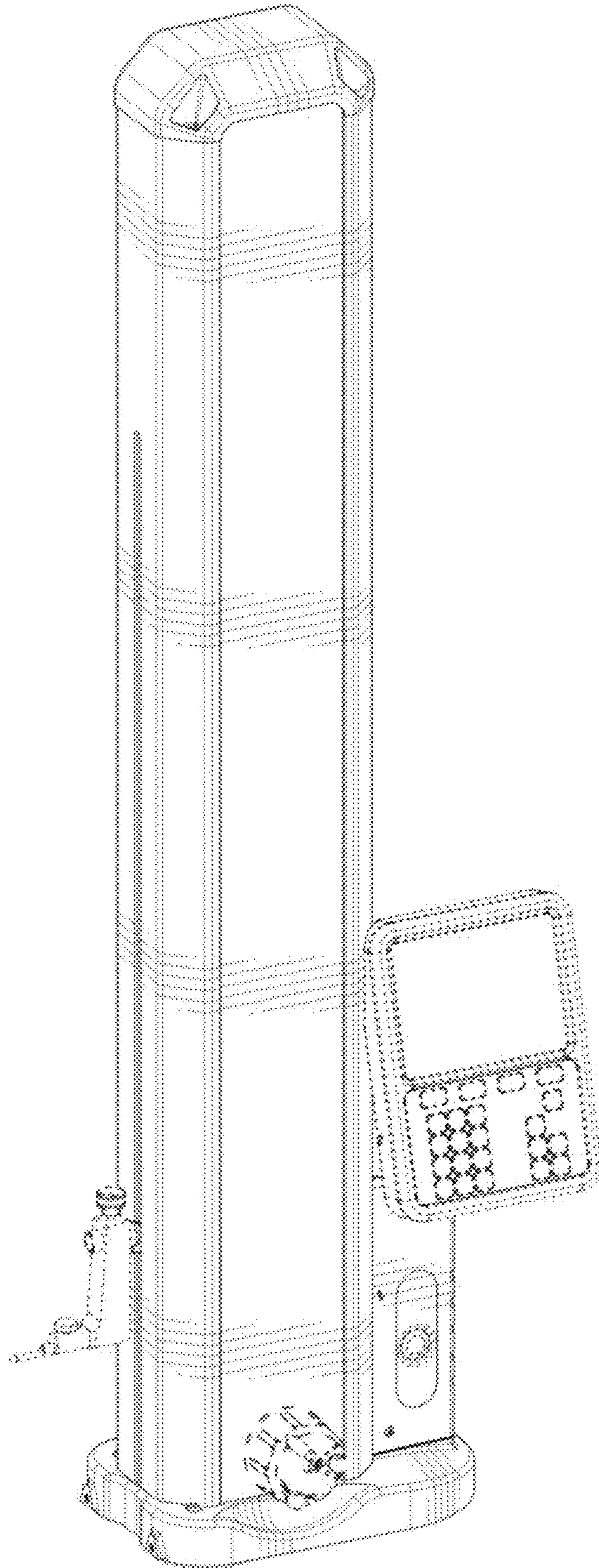
(56) **References Cited**  
U.S. PATENT DOCUMENTS

2,611,968 A \* 9/1952 Brown, Jr. .... G01B 5/061  
33/838  
2,958,950 A \* 11/1960 Connors ..... G01B 5/061  
33/832

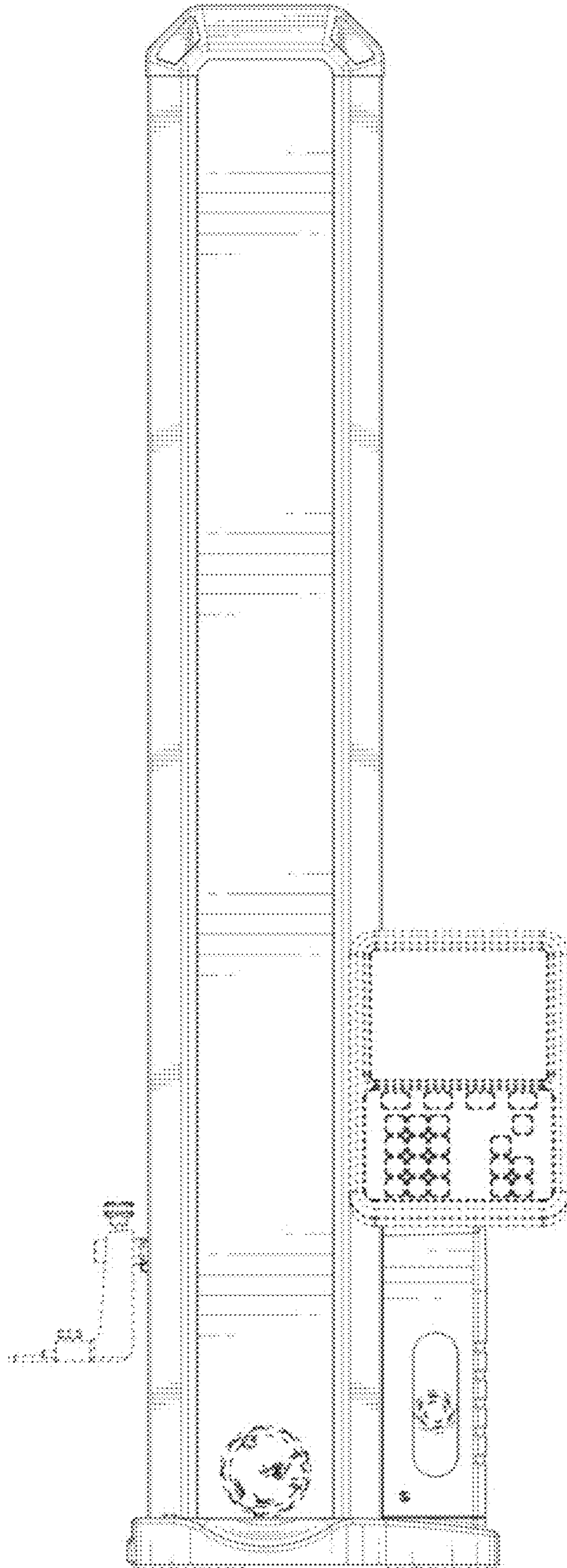
**1 Claim, 7 Drawing Sheets**



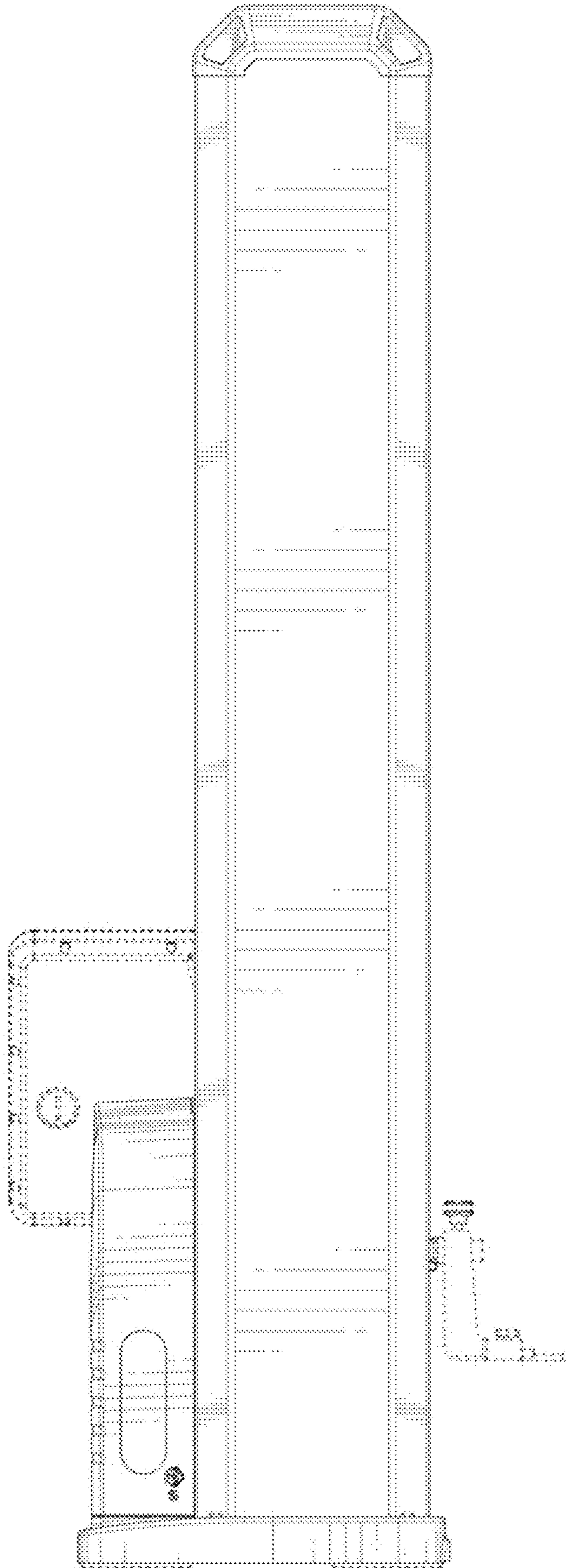
1.1



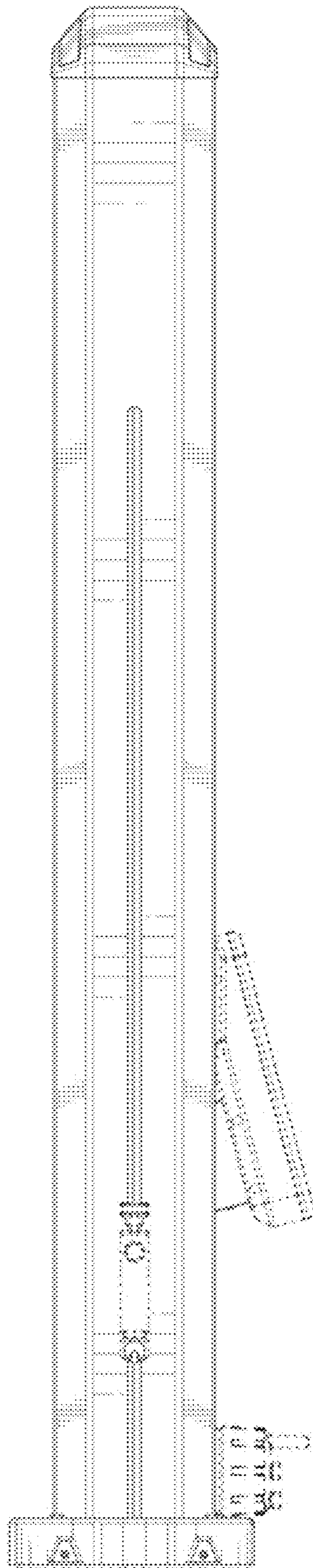
1.2



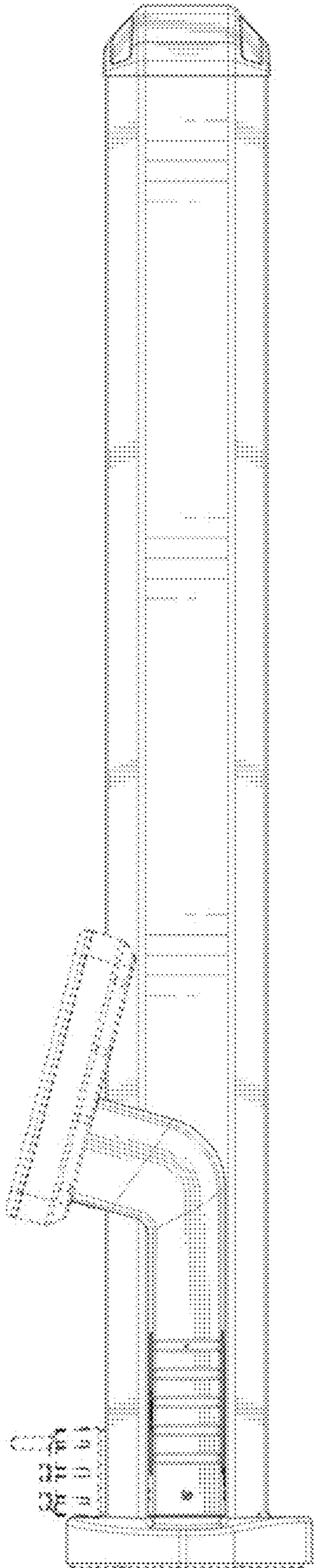
1.3



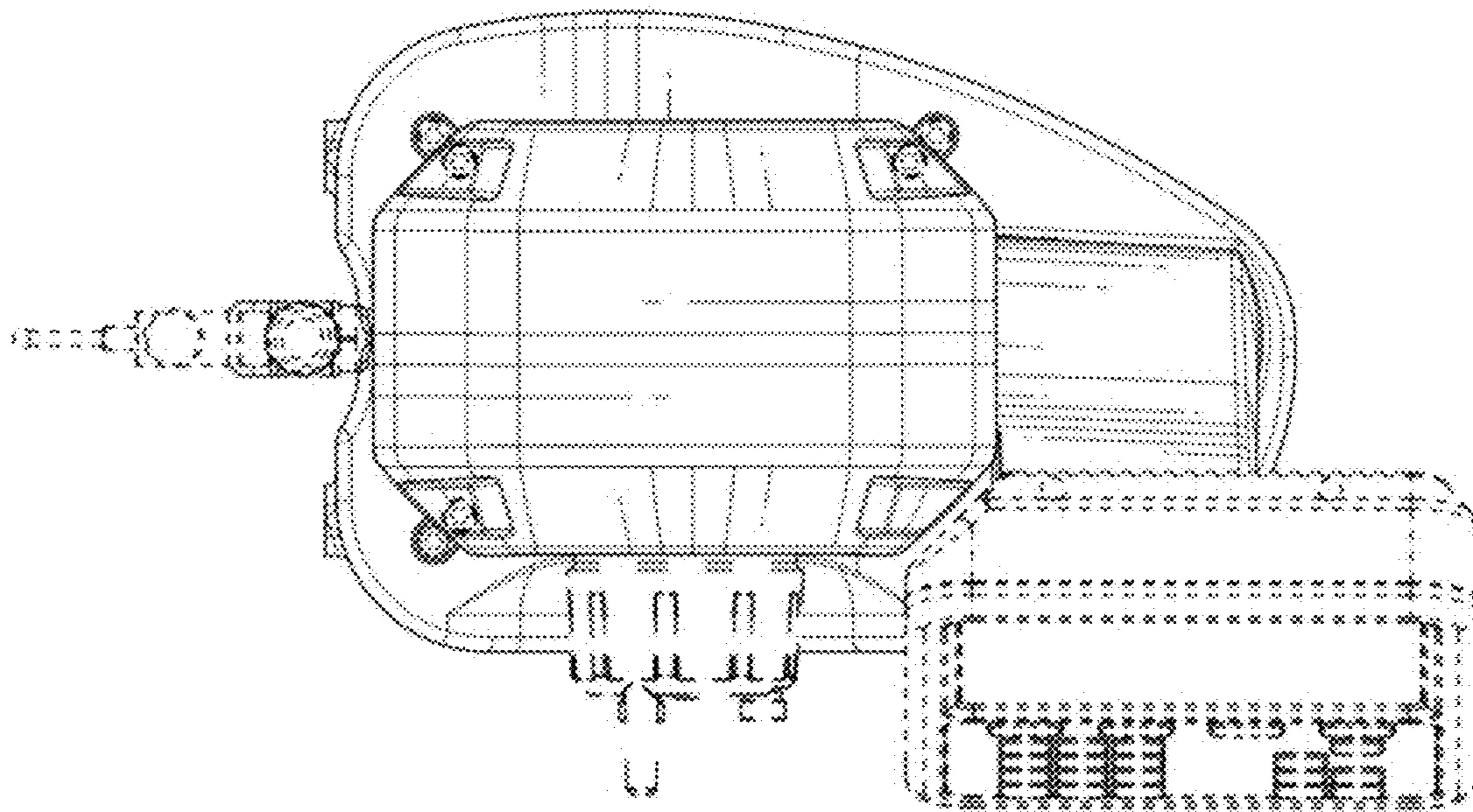
1.4



1.5



1.6



1.7

