



US00D888587S

(12) **United States Design Patent** (10) **Patent No.:** **US D888,587 S**
Chen et al. (45) **Date of Patent:** **** Jun. 30, 2020**

(54) **DETECTOR**

(71) Applicant: **Shenzhen Aukey E-Business Co., Ltd.**,
Shenzhen (CN)
(72) Inventors: **Peihong Chen**, Shenzhen (CN); **Wei Xu**,
Shenzhen (CN)

(**) Term: **15 Years**

(21) Appl. No.: **29/673,221**

(22) Filed: **Dec. 13, 2018**

(51) **LOC (12) Cl.** **10-04**

(52) **U.S. Cl.**
USPC **D10/47**

(58) **Field of Classification Search**
USPC D10/46, 47
CPC ... G01V 3/00; G01V 3/02; G01V 3/04; G01V
3/06; G01V 3/08; G01V 3/081; G01V
3/082; G01V 3/083; G01V 2003/084;
G01V 2003/085; G01V 2003/086; G01V
3/087; G01V 3/088; G01V 3/10; G01V
3/101; G01V 3/102; G01V 3/104; G01V
3/105; G01V 3/107; G01V 3/108; G01V
3/12; G01V 3/14; G01V 3/15; G01V
3/16; G01V 3/165; G01V 3/17; G01V
3/175; G01V 3/18; G01V 3/20; G01V
3/22; G01V 3/24; G01V 3/26; G01V
3/265; G01V 3/28; G01V 3/30; G01V
3/32; G01V 3/34; G01V 3/36; G01V
3/38; G01V 3/40

See application file for complete search history.

(56) **References Cited**

U.S. PATENT DOCUMENTS

5,959,451 A * 9/1999 De Torfino G01V 3/15
324/236
D793,884 S * 8/2017 Verity D10/47
D827,465 S * 9/2018 Ranieri G01V 3/02
D10/78
D859,183 S * 9/2019 Dubos D10/47

* cited by examiner

Primary Examiner — Antoine Duval Davis

(74) *Attorney, Agent, or Firm* — ZANIP

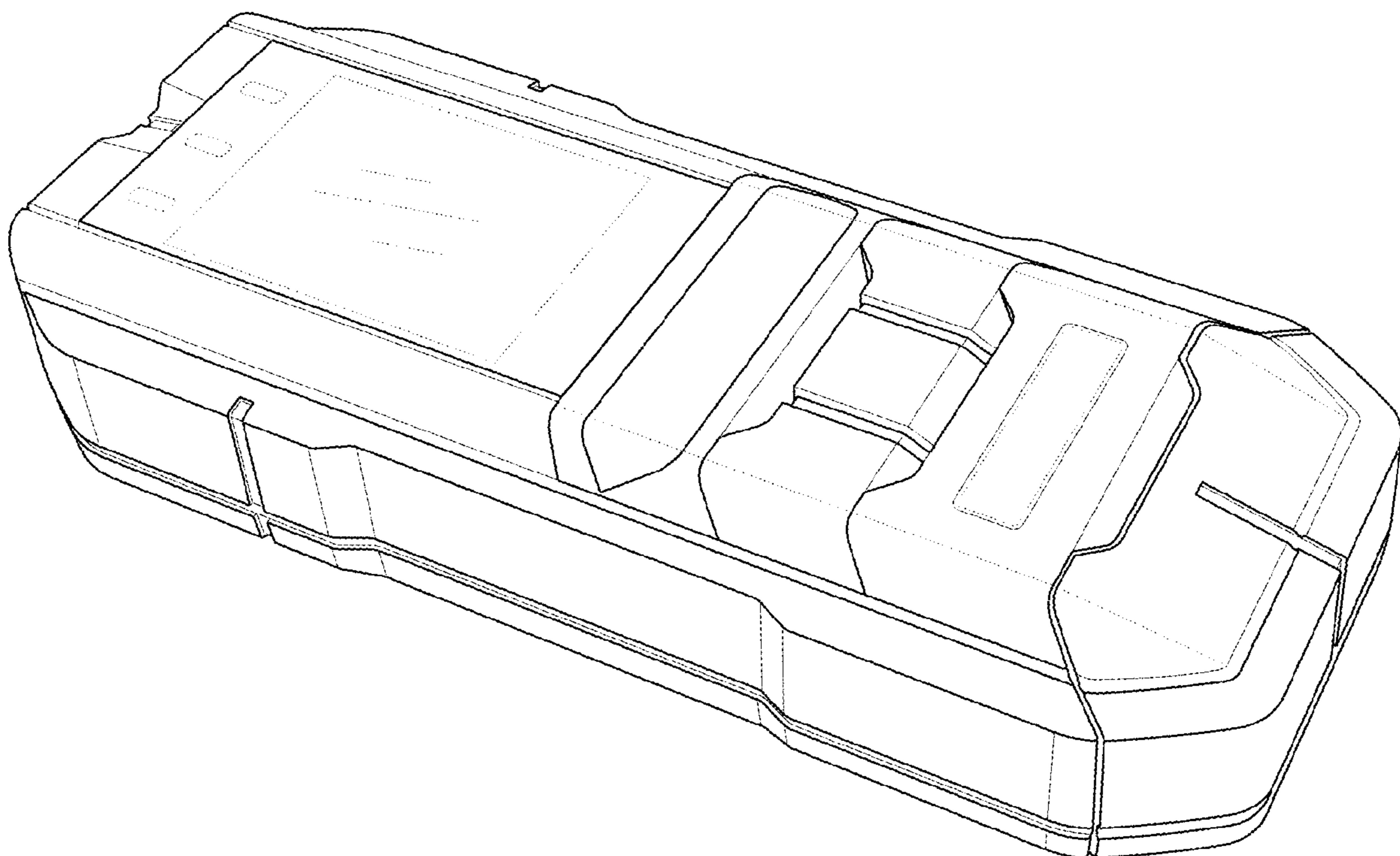
(57) **CLAIM**

The ornamental design for a detector, as shown and described.

DESCRIPTION

FIG. 1 is a front elevational view of the detector showing our new design;
FIG. 2 is a rear elevational view thereof;
FIG. 3 is a left side elevational view thereof;
FIG. 4 is a right side elevational view thereof;
FIG. 5 is a top plan view thereof;
FIG. 6 is a bottom plan view thereof; and,
FIG. 7 is a front, left side perspective view thereof.
The broken lines in the drawings depict portions of the detector that form no part of the claimed design.

1 Claim, 7 Drawing Sheets



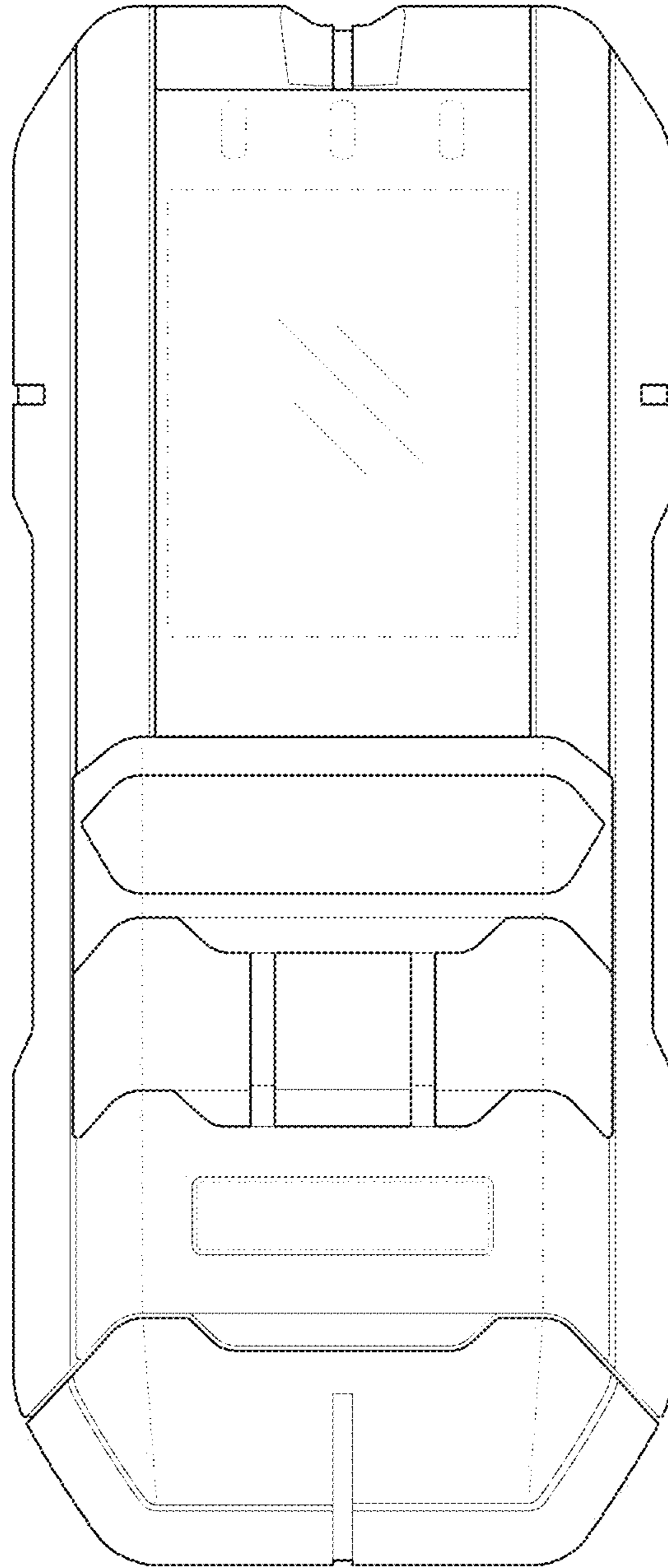


FIG. 1

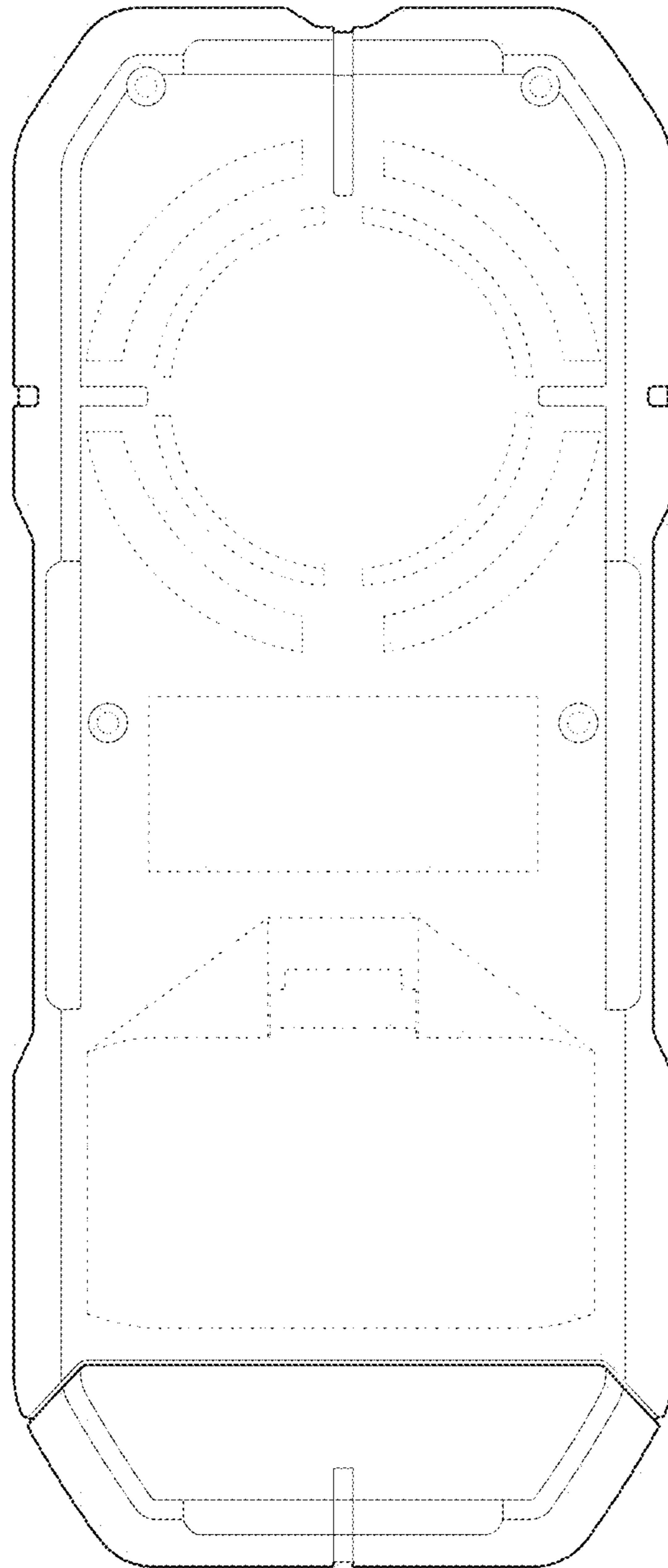


FIG. 2

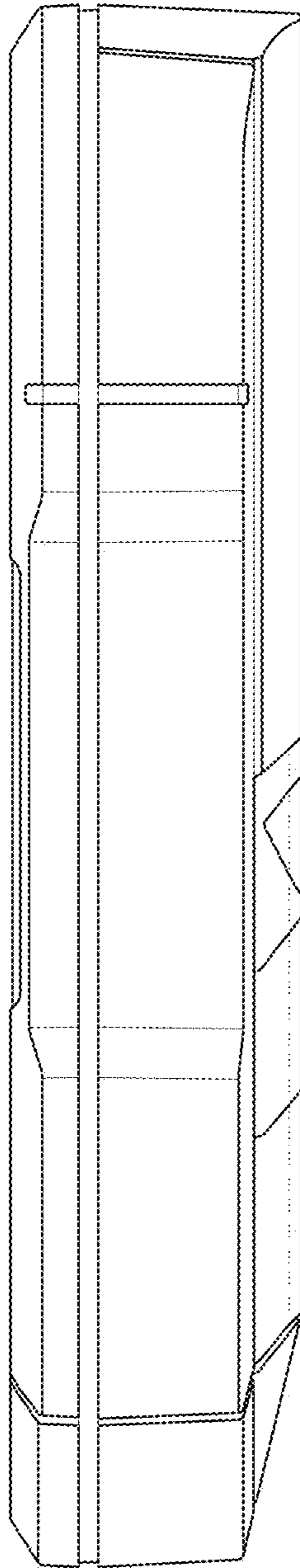


FIG. 3

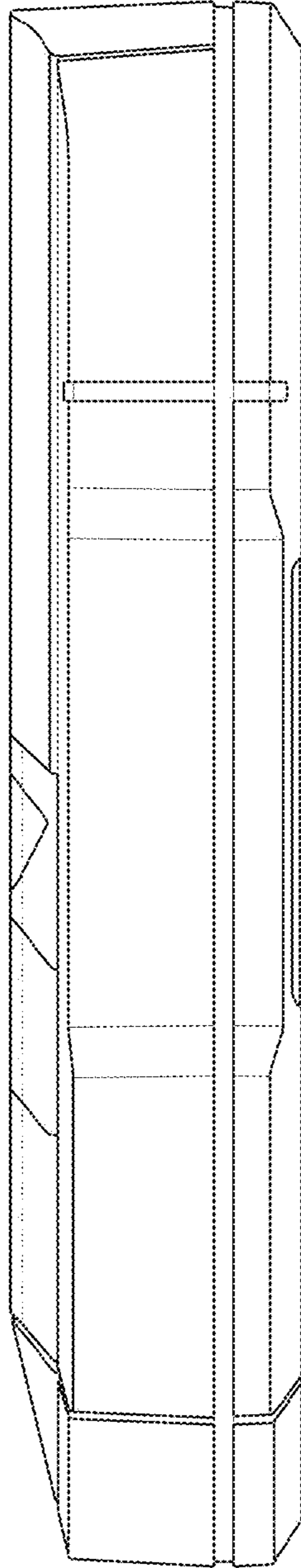


FIG. 4

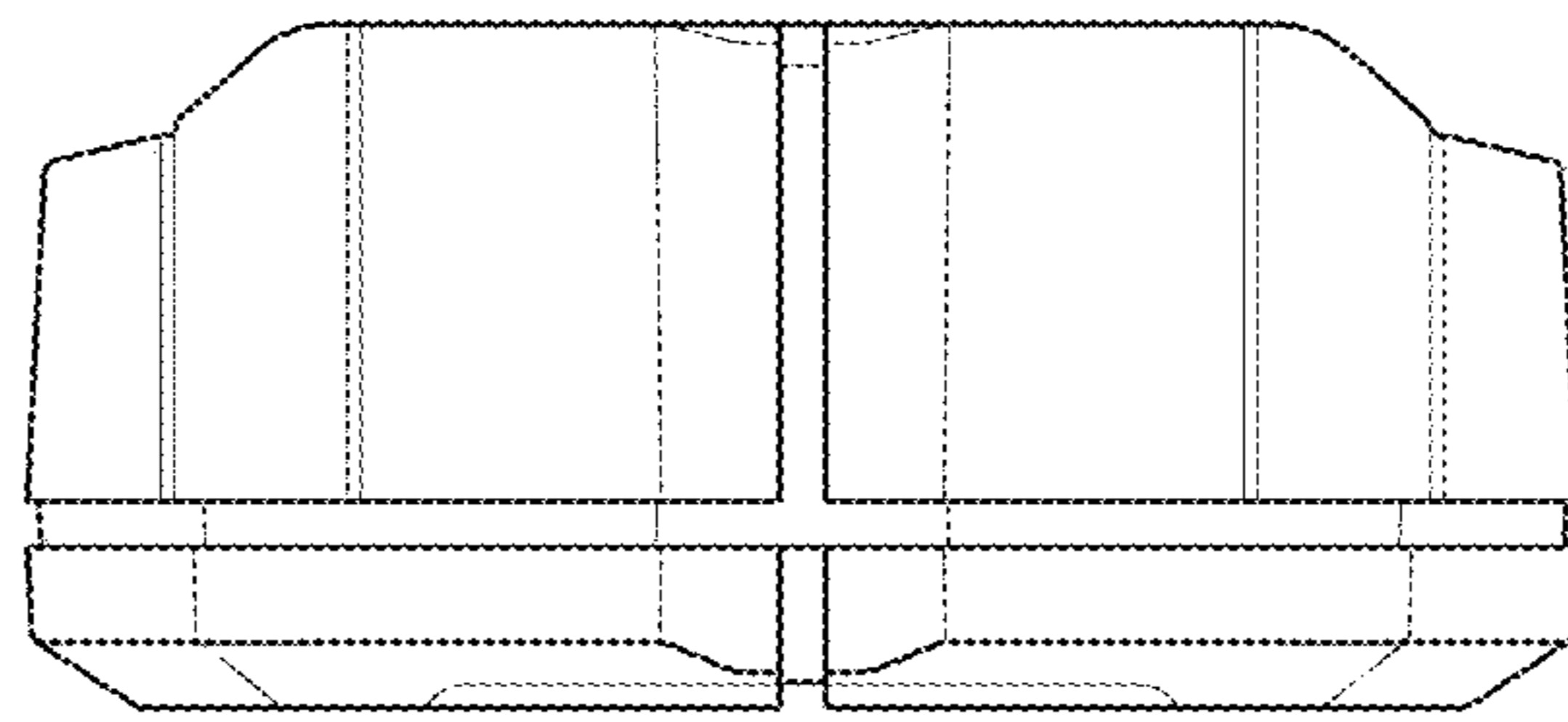


FIG. 5

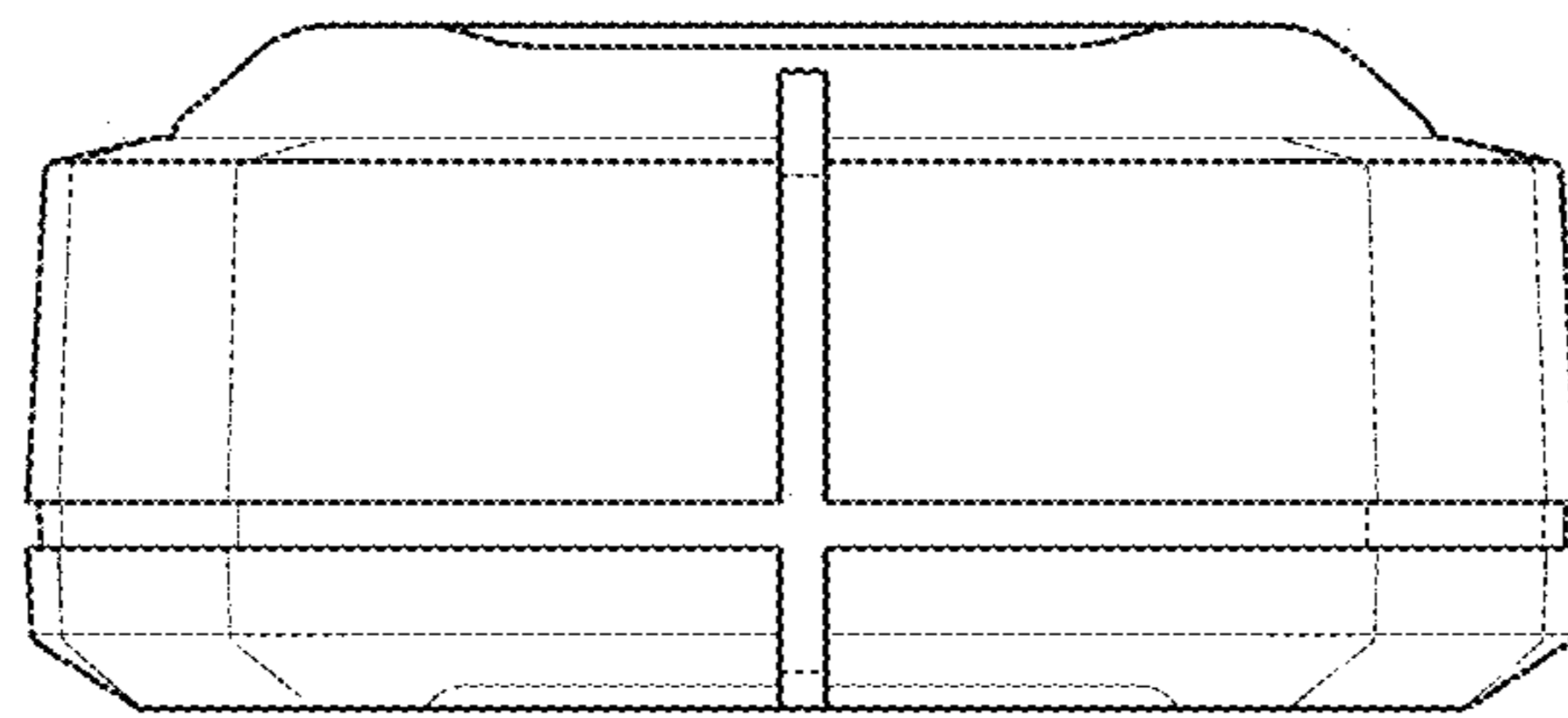


FIG. 6

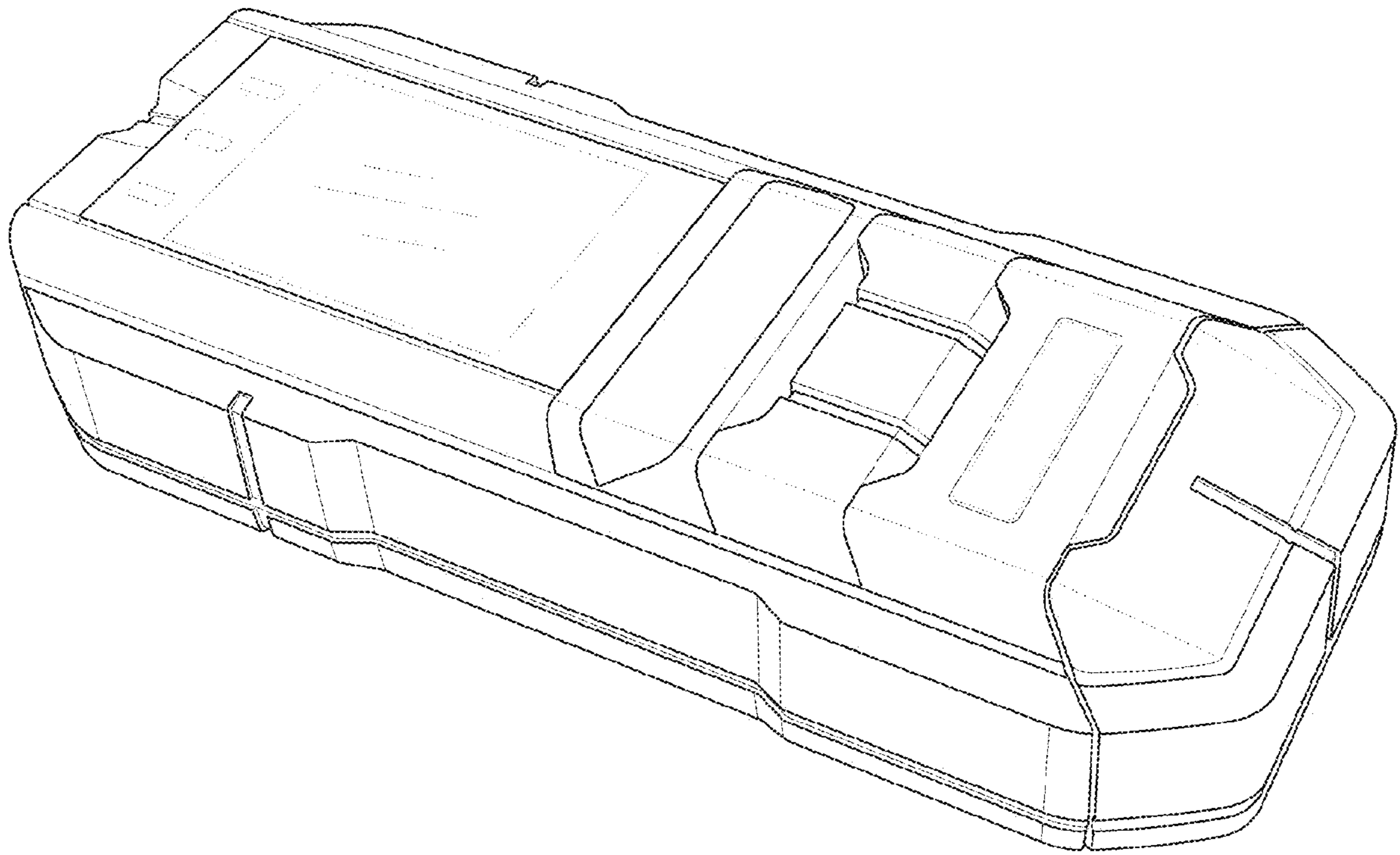


FIG. 7