



US00D888584S

(12) **United States Design Patent**  
**Kurt**

(10) **Patent No.:** **US D888,584 S**

(45) **Date of Patent:** **\*\* Jun. 30, 2020**

(54) **WATCH**

(56)

**References Cited**

(71) Applicant: **Mondaine Watch Ltd**, Pfäffikon (CH)

U.S. PATENT DOCUMENTS

(72) Inventor: **Daniel Kurt**, Lohn-Ammannsegg (CH)

D53,110 S *	3/1919	Bliss .....	D10/126
D459,241 S *	6/2002	Bodino .....	D10/32
D658,517 S *	5/2012	Behling .....	D10/39
D712,754 S *	9/2014	Loth .....	D10/32
D718,151 S *	11/2014	Gueit .....	D10/32
D732,985 S *	6/2015	Cerrato .....	D10/39
D771,505 S *	11/2016	Cerrato .....	D10/30
D787,954 S *	5/2017	Morimoto .....	D10/30
D792,261 S *	7/2017	Antifora .....	D10/126
D840,844 S *	2/2019	Le Bot .....	D10/39
D854,947 S *	7/2019	Ciobanu .....	D10/39

(\*\*) Term: **15 Years**

(21) Appl. No.: **35/506,932**

(22) Filed: **Jan. 30, 2019**

(80) **Hague Agreement Data**

Int. Filing Date: **Jan. 30, 2019**

Int. Reg. No.: **DM/201356**

Int. Reg. Date: **Jan. 30, 2019**

Int. Reg. Pub. Date: **Jun. 21, 2019**

\* cited by examiner

*Primary Examiner* — George D. Kirschbaum

*Assistant Examiner* — Joseph J Kukella

(51) **LOC (12) Cl.** ..... **10-02**

(57) **CLAIM**

(52) **U.S. Cl.**

The ornamental design for a watch, as shown and described.

USPC ..... **D10/39**

(58) **Field of Classification Search**

**DESCRIPTION**

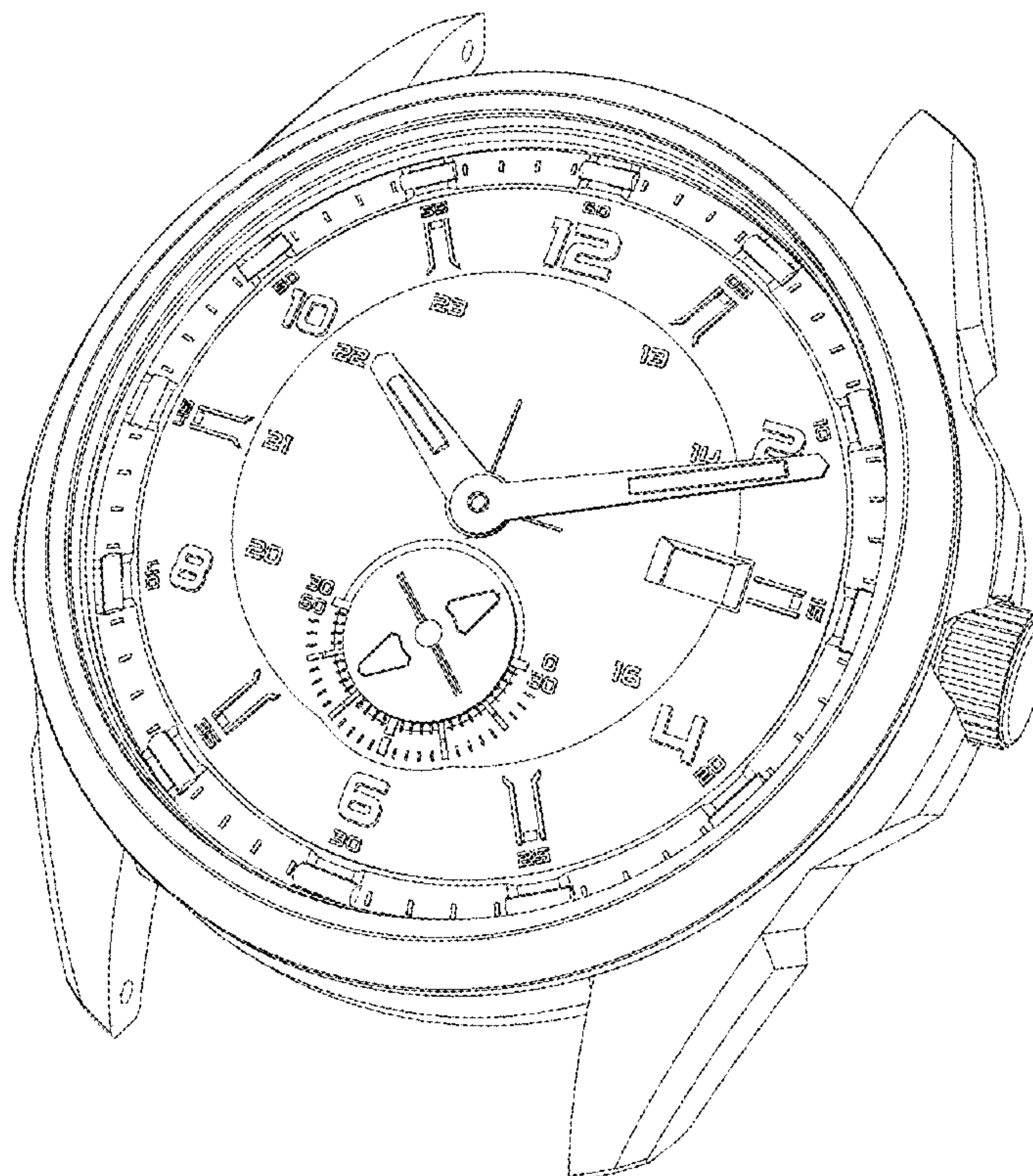
USPC ..... D10/1, 2, 10, 30-33, 36-39, 98, 99,  
D10/122-124, 126-128, 132; D11/3;  
D14/344

CPC ..... G04B 19/00; G04B 19/04; G04B 19/042;  
G04B 19/046; G04B 19/048; G04B  
19/06; G04B 19/065; G04B 19/08; G04B  
19/082; G04B 19/085; G04B 19/087;  
G04B 19/10; G04B 19/103; G04B  
19/106; G04B 19/24; G04B 19/241;  
G04B 19/243

- 1. Watch
- 1.1 : Perspective
- 1.2 : Top
- 1.3 : Side
- 1.4 : Side
- 1.5 : Front
- 1.6 : Rear
- 1.7 : Bottom

See application file for complete search history.

**1 Claim, 7 Drawing Sheets**

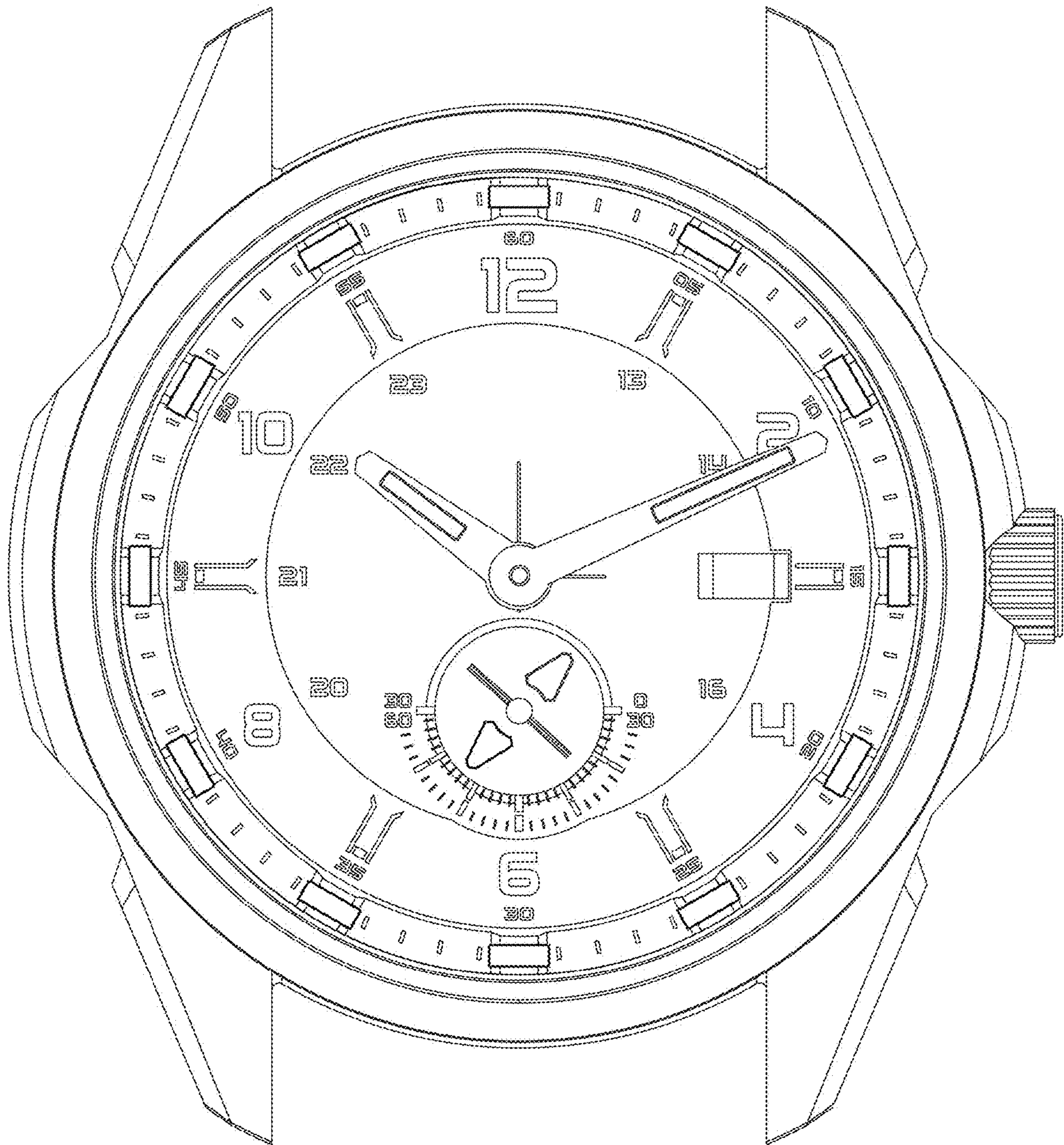


1.1

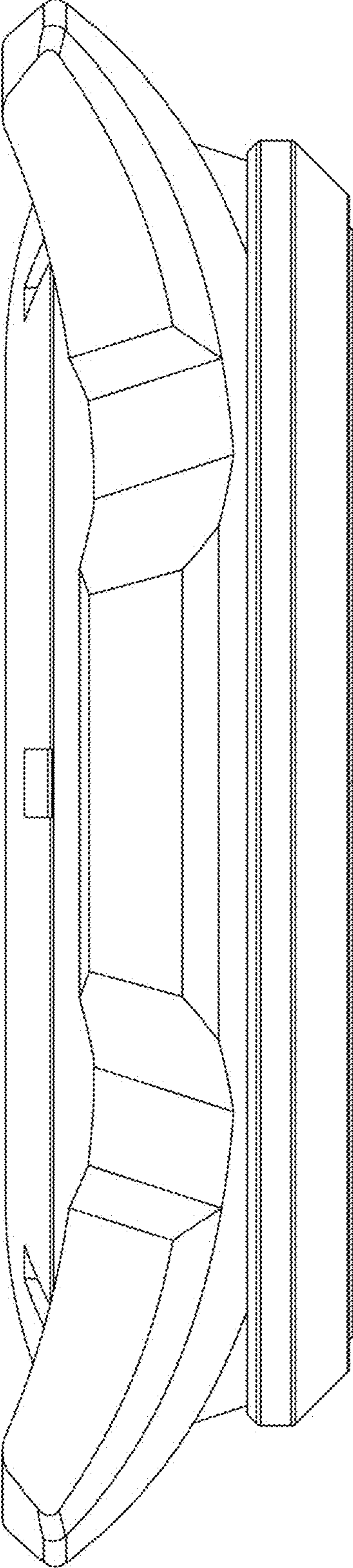




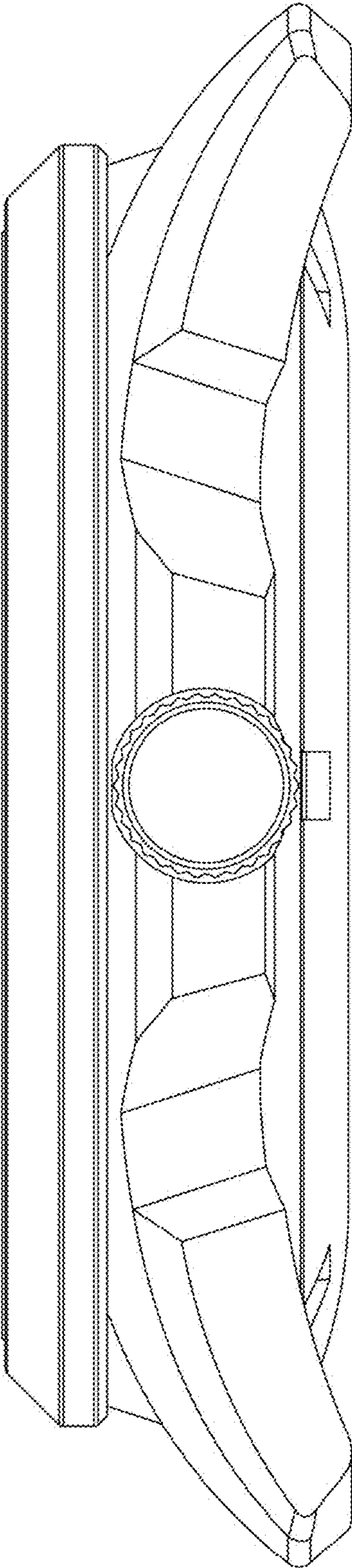
1.2



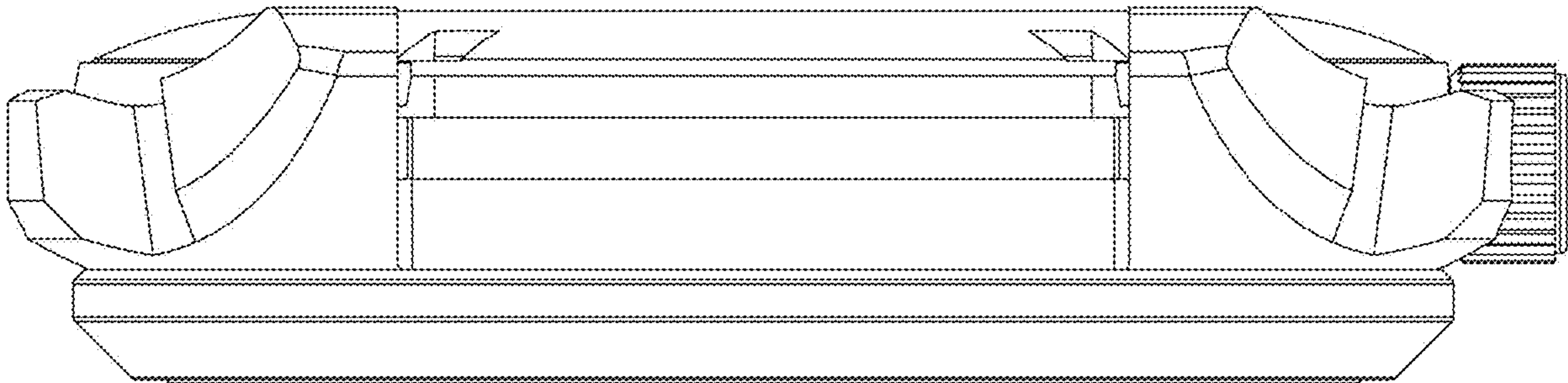
1.3



1.4

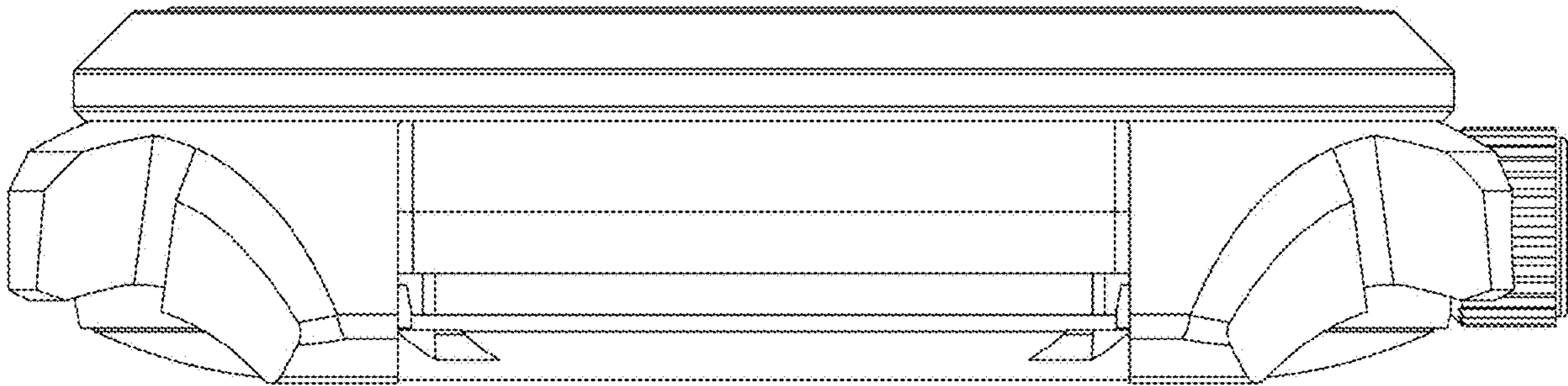


1.5





1.6



1.7

