



US00D888583S

(12) **United States Design Patent**  
**Carrier**

(10) **Patent No.:** **US D888,583 S**

(45) **Date of Patent:** **\*\* Jun. 30, 2020**

(54) **WATCH**

(71) Applicant: **Richemont International SA,**  
Villars-sur-Glane (CH)

(72) Inventor: **Bastien Charrier, Vulbens (FR)**

(73) Assignee: **Richemont International S.A.,**  
Villars-sur-Glane (CH)

(\*\*) Term: **15 Years**

(21) Appl. No.: **29/656,417**

(22) Filed: **Jul. 12, 2018**

(30) **Foreign Application Priority Data**

Jan. 15, 2018 (WO) ..... DM/099297

(51) **LOC (12) Cl.** ..... **10-02**

(52) **U.S. Cl.**  
USPC ..... **D10/39**

(58) **Field of Classification Search**

USPC ..... D10/30-39, 52-75, 98; D14/344

CPC ..... G04B 3/046; G04B 3/048; G04B 19/00;  
G04B 19/06; G04B 19/065; G04B 19/08;  
G04B 19/082; G04B 19/085; G04B  
19/087; G04B 19/10; G04B 19/103;  
G04B 19/106; G04B 19/12; G04B 19/18;  
G04B 19/22; G04B 19/24; G04B 19/241;  
G04B 19/243; G04B 19/226; G04B  
19/30; G04B 37/00; G04B 37/08; G04B  
37/16; G04B 37/0058; G04B 45/0069;  
G04B 45/0076; G04B 47/04; G04B  
47/06; G04B 47/063; G04C 17/00

See application file for complete search history.

(56) **References Cited**

**U.S. PATENT DOCUMENTS**

D555,517 S \* 11/2007 Dias ..... D10/38  
D573,486 S \* 7/2008 Sanz ..... D10/38

D586,668 S \* 2/2009 Dias ..... D10/38  
D591,621 S \* 5/2009 Nataf ..... D10/39  
D592,986 S \* 5/2009 Nataf ..... D10/128  
D611,866 S \* 3/2010 Dias ..... D10/129  
D636,692 S \* 4/2011 Pospieszny ..... D10/129  
D649,890 S \* 12/2011 Favre ..... D10/38  
D711,751 S \* 8/2014 Laucella ..... D10/39  
D724,446 S \* 3/2015 Favre ..... D10/124  
D729,638 S \* 5/2015 Favre ..... D10/38

(Continued)

**OTHER PUBLICATIONS**

Excalibur Single and Double Tourbillon Watches | posted at ablogtowatch.com Apr. 2015 [online]. © 2007-2019 aBlogtoWatch [retrieved Sep. 13, 2019] from Internet: <https://www.ablogtowatch.com/roger-dubuis-excalibur-single-double-tourbillon-watches/> (Year: 2015).\*

(Continued)

*Primary Examiner* — Sandra S Snapp

*Assistant Examiner* — Katherine Glennon

(74) *Attorney, Agent, or Firm* — Taft Stettinius & Hollister LLP

(57) **CLAIM**

The ornamental design for a watch, as shown and described.

**DESCRIPTION**

FIG. 1 is a front elevational view of a watch showing my new design;

FIG. 2 is a back elevational view thereof;

FIG. 3 is a right side elevational view thereof;

FIG. 4 is a left side elevational view thereof;

FIG. 5 is a bottom plan view thereof;

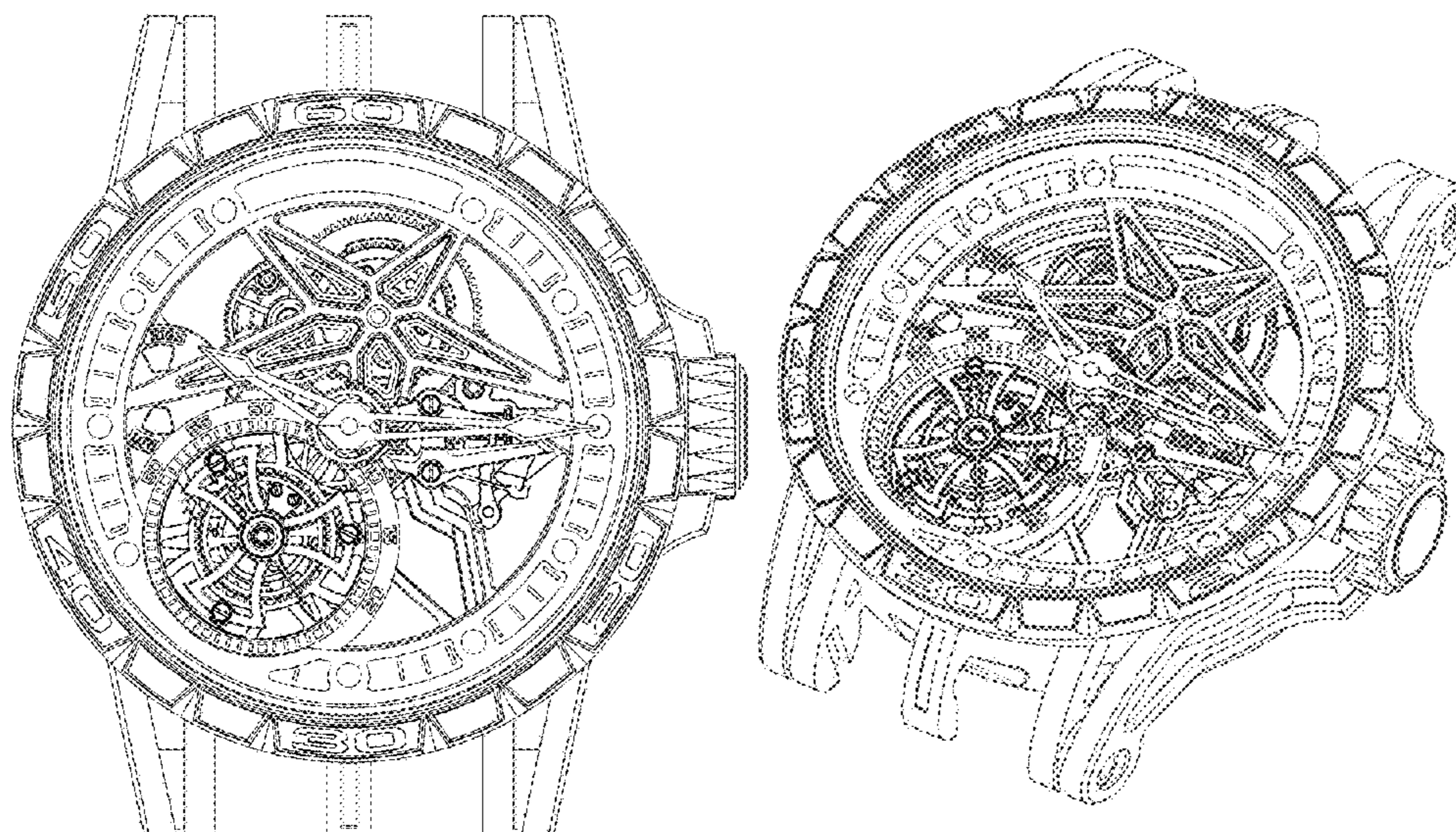
FIG. 6 is a top plan view thereof;

FIG. 7 is a front, right side perspective view thereof; and,

FIG. 8 is a back, left side perspective view thereof.

The broken lines in the drawing figures depict portions of the watch that form no part of the claimed design.

**1 Claim, 8 Drawing Sheets**



(56)

**References Cited**

U.S. PATENT DOCUMENTS

D751,421 S \* 3/2016 Perret ..... D10/126  
D799,987 S \* 10/2017 Mille ..... D10/30  
D843,233 S \* 3/2019 Torre ..... D10/39  
D854,959 S \* 7/2019 Favre ..... D10/126  
2004/0184356 A1 \* 9/2004 Dias ..... G04B 17/285  
368/127

OTHER PUBLICATIONS

Roger Dubuis Excaliber Spider Pirelli Single Flying Tourbillon |  
posted at [monochrome-watches.com](https://monochrome-watches.com) Jun. 2018 [online]. © 2006-  
2019 Monochrome [retrieved Sep. 13, 2019] from Internet: <[https://  
monochrome-watches.com/roger-dubuis-excalibur-spider-pirelli-  
single-flying-tourbillon-price/](https://monochrome-watches.com/roger-dubuis-excalibur-spider-pirelli-single-flying-tourbillon-price/)> (Year: 2018).\*

\* cited by examiner



Fig. 1



Fig. 2

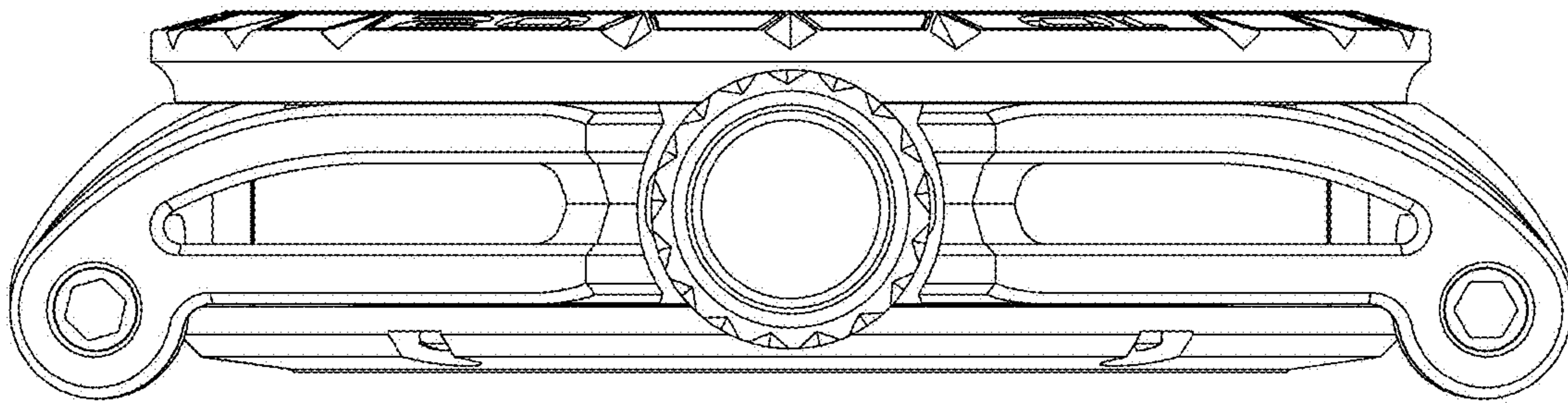


Fig. 3

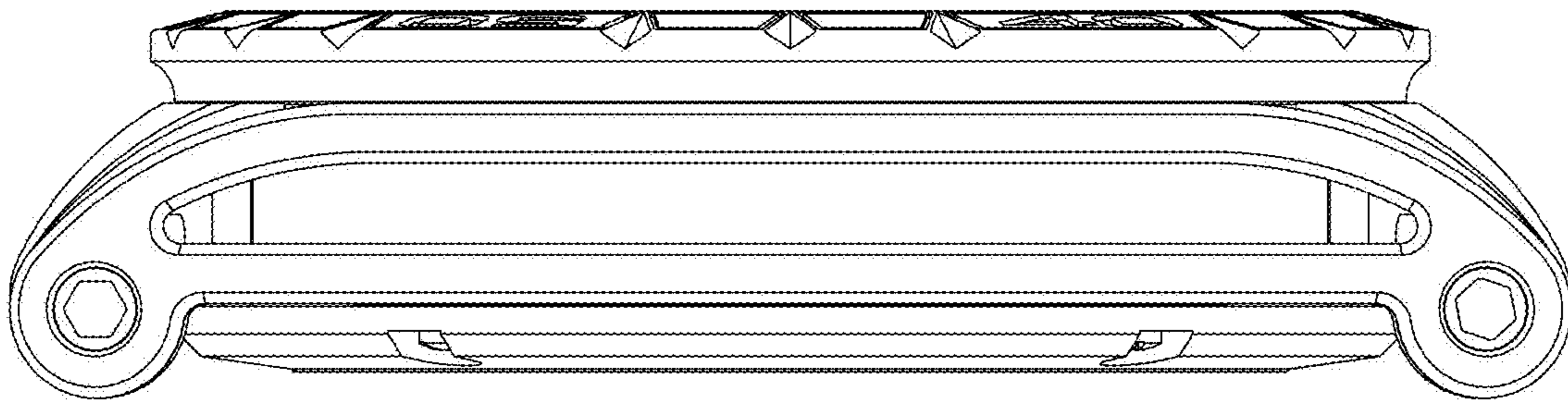


Fig. 4

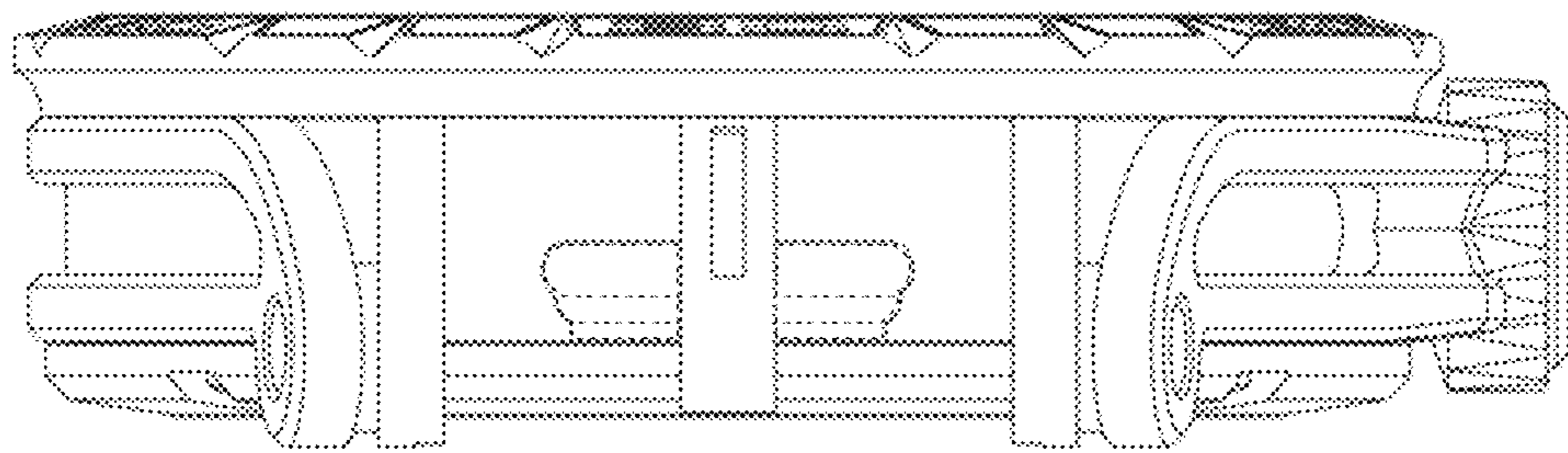


Fig. 5

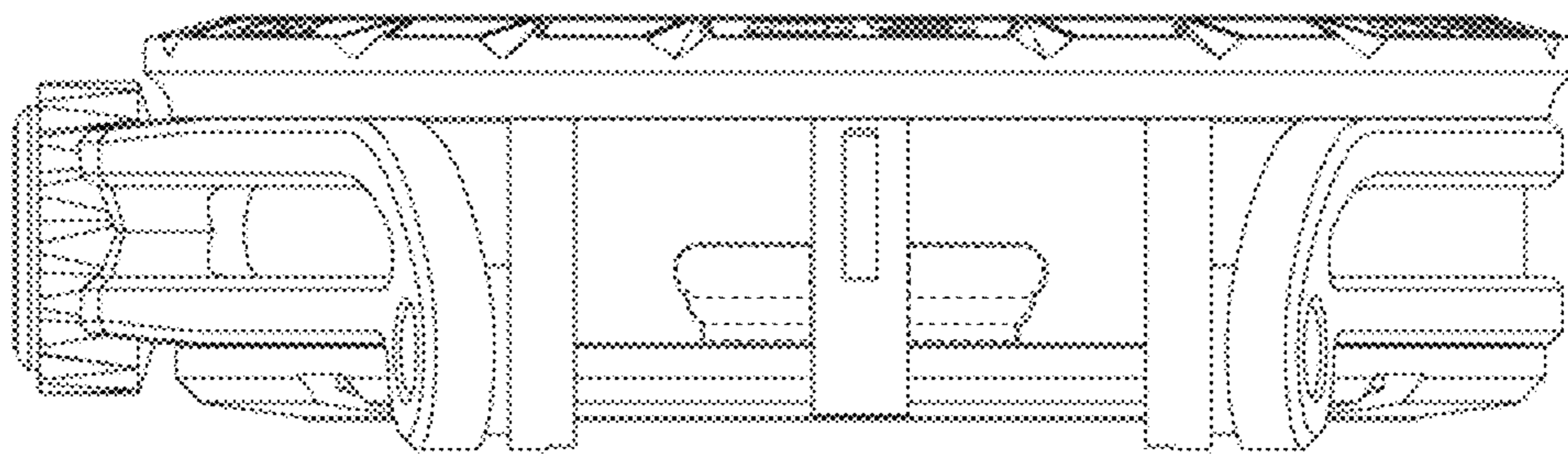


Fig. 6





Fig. 7



Fig. 8