



US00D888571S

(12) **United States Design Patent**  
**Pennington**

(10) **Patent No.:** **US D888,571 S**  
(45) **Date of Patent:** **\*\* Jun. 30, 2020**

(54) **SHOTGUN SHELL TUMBLER**

(71) Applicant: **Billy Pennington**, Little Rock, AR (US)

(72) Inventor: **Billy Pennington**, Little Rock, AR (US)

(\*\*) Term: **15 Years**

(21) Appl. No.: **29/597,050**

(22) Filed: **Mar. 14, 2017**

(51) **LOC (12) Cl.** ..... **09-01**

(52) **U.S. Cl.**  
USPC ..... **D9/680**

(58) **Field of Classification Search**  
USPC ..... D7/510, 511, 514, 515, 301, 302, 303;  
D9/600, 680; D22/100, 101, 102, 103,  
D22/106, 107, 108, 109, 110, 111, 112,  
D22/115, 116, 199  
CPC ..... B65D 2543/00046; B65D 43/02; B65D  
43/26; B65D 43/0225; B65D 2543/00231;  
B65D 41/04; B65D 1/00  
See application file for complete search history.

(56) **References Cited**

**U.S. PATENT DOCUMENTS**

D384,859 S	*	10/1997	Cundieff	.....	D7/509
D535,476 S	*	1/2007	Pennington	.....	D3/262
D641,639 S	*	7/2011	Kraff	.....	D9/680
D641,640 S	*	7/2011	Kraff	.....	D9/680
D650,695 S	*	12/2011	Talbott	.....	D22/116
D652,472 S	*	1/2012	Klement	.....	F42B 5/025 D22/115
D652,473 S	*	1/2012	Klement	.....	D22/115
D652,474 S	*	1/2012	Klement	.....	D22/115
D652,475 S	*	1/2012	Klement	.....	D22/115
D652,476 S	*	1/2012	Klement	.....	D22/115
D652,477 S	*	1/2012	Klement	.....	D22/115
D652,888 S	*	1/2012	Klement	.....	D22/115
D693,688 S	*	11/2013	Russell	.....	D9/454
D723,653 S	*	3/2015	Peterson	.....	D22/112

(Continued)

**OTHER PUBLICATIONS**

“PS Products ICYSHOT20-G ICY Shot Cold or Hot Beverage Tumbler, 20 Ounce, Shotgun Shell Green” [online]. PS Products. [Date first listed Nov. 16, 2018]. Retrieved from the Internet: <<https://www.amazon.com/dp/B07KMK4RM4>>.\*

*Primary Examiner* — Khawaja Anwar

*Assistant Examiner* — Mojtaba Tehrani

(74) *Attorney, Agent, or Firm* — Rashauna Norment

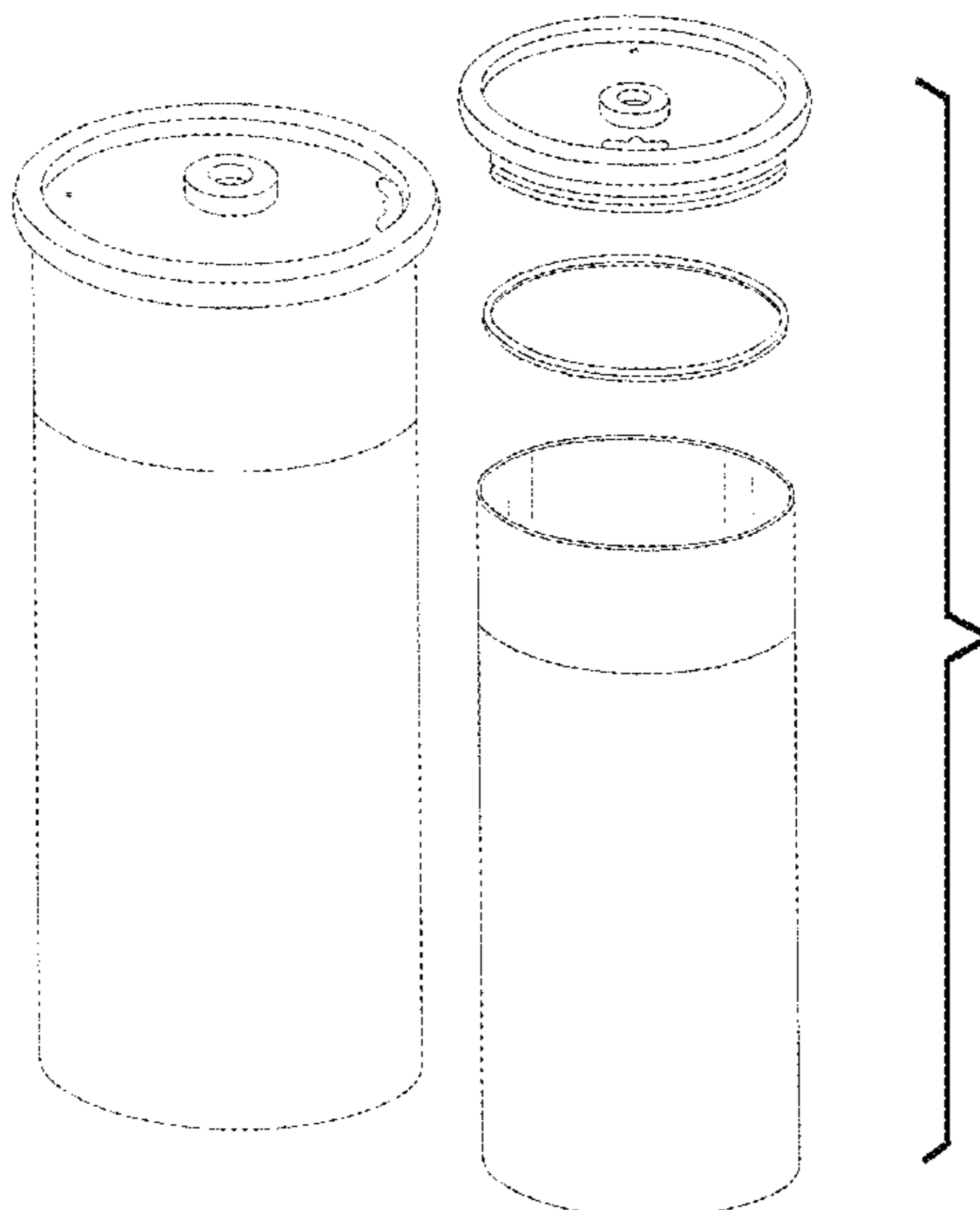
(57) **CLAIM**

The ornamental design for a shotgun shell tumbler, as shown and described.

**DESCRIPTION**

FIG. 1 is a perspective view of a shotgun shell tumbler, showing my new design;  
FIG. 2 is a front elevation view of FIG. 1 thereof, with the rear elevation view, left side elevation view, and right side elevation view each being identical to FIG. 2;  
FIG. 3 is a top plan view of FIG. 1 thereof;  
FIG. 4 is a bottom plan view of FIG. 1 thereof;  
FIG. 5 is a perspective view of a second embodiment of FIG. 1 thereof; with the front elevation view, rear elevation view, left side elevation view, and the right side elevation view each being identical to FIG. 2;  
FIG. 6 is a top plan view of FIG. 5 thereof, with the bottom plan view being identical to FIG. 4;  
FIG. 7 is another perspective view of FIG. 1 thereof, showing the cap removed from the tumbler;  
FIG. 8 is another perspective view of FIG. 5 thereof, showing the cap removed from the tumbler;  
FIG. 9 is a front elevation view of FIGS. 7 and 8 thereof, with the rear elevation view, left side elevation view, and right side elevation view each being identical to FIG. 9;  
FIG. 10 is a top plan view of FIG. 7 thereof; and,  
FIG. 11 is a top plan view of FIG. 8 thereof.

**1 Claim, 7 Drawing Sheets**



(56)

**References Cited**

U.S. PATENT DOCUMENTS

D754,223 S \* 4/2016 Pederson ..... D15/90  
9,447,955 B2 \* 9/2016 Miller ..... F21L 4/027  
D777,599 S \* 1/2017 Adler ..... D11/81  
D786,699 S \* 5/2017 Shipulin ..... D9/680  
D801,188 S \* 10/2017 Treadwell ..... D9/680  
D801,189 S \* 10/2017 Treadwell ..... D9/680

\* cited by examiner

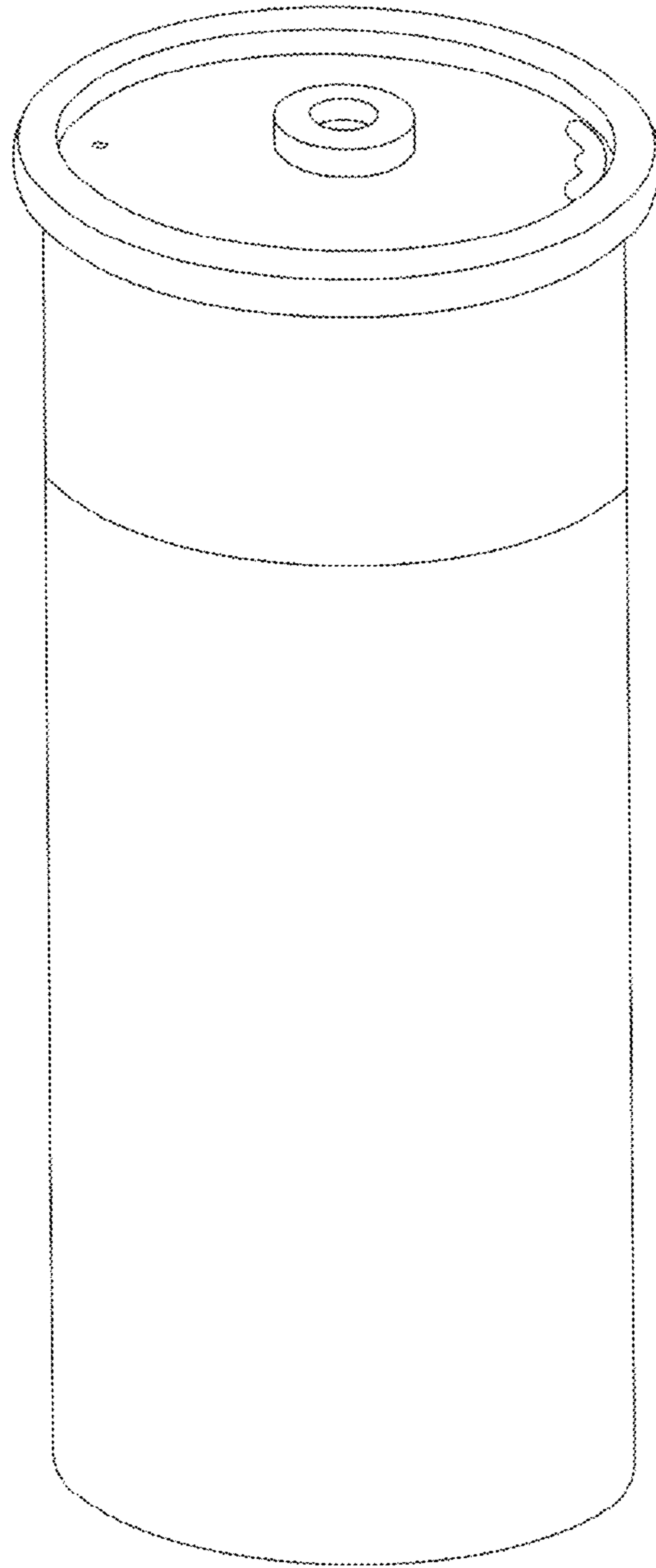


FIG. 1

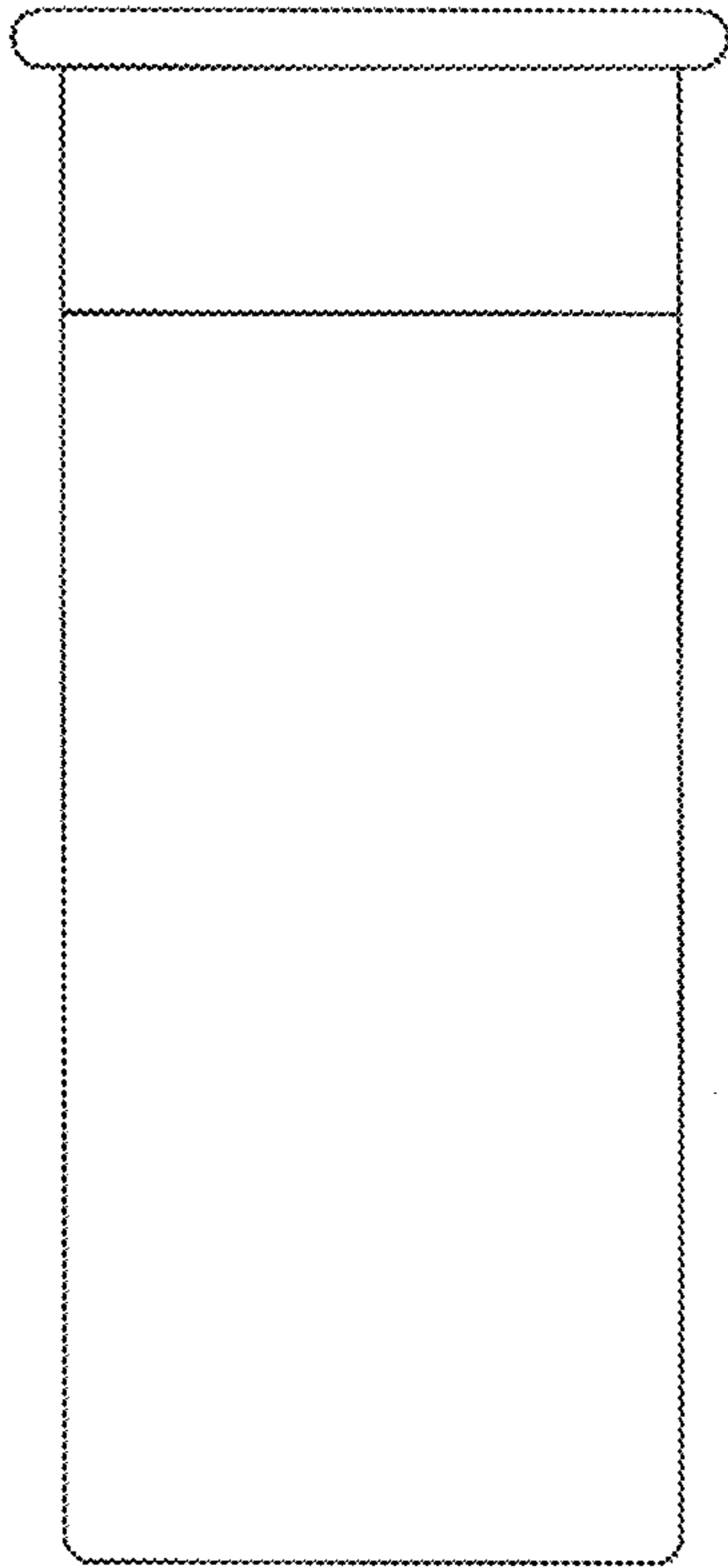


FIG. 2

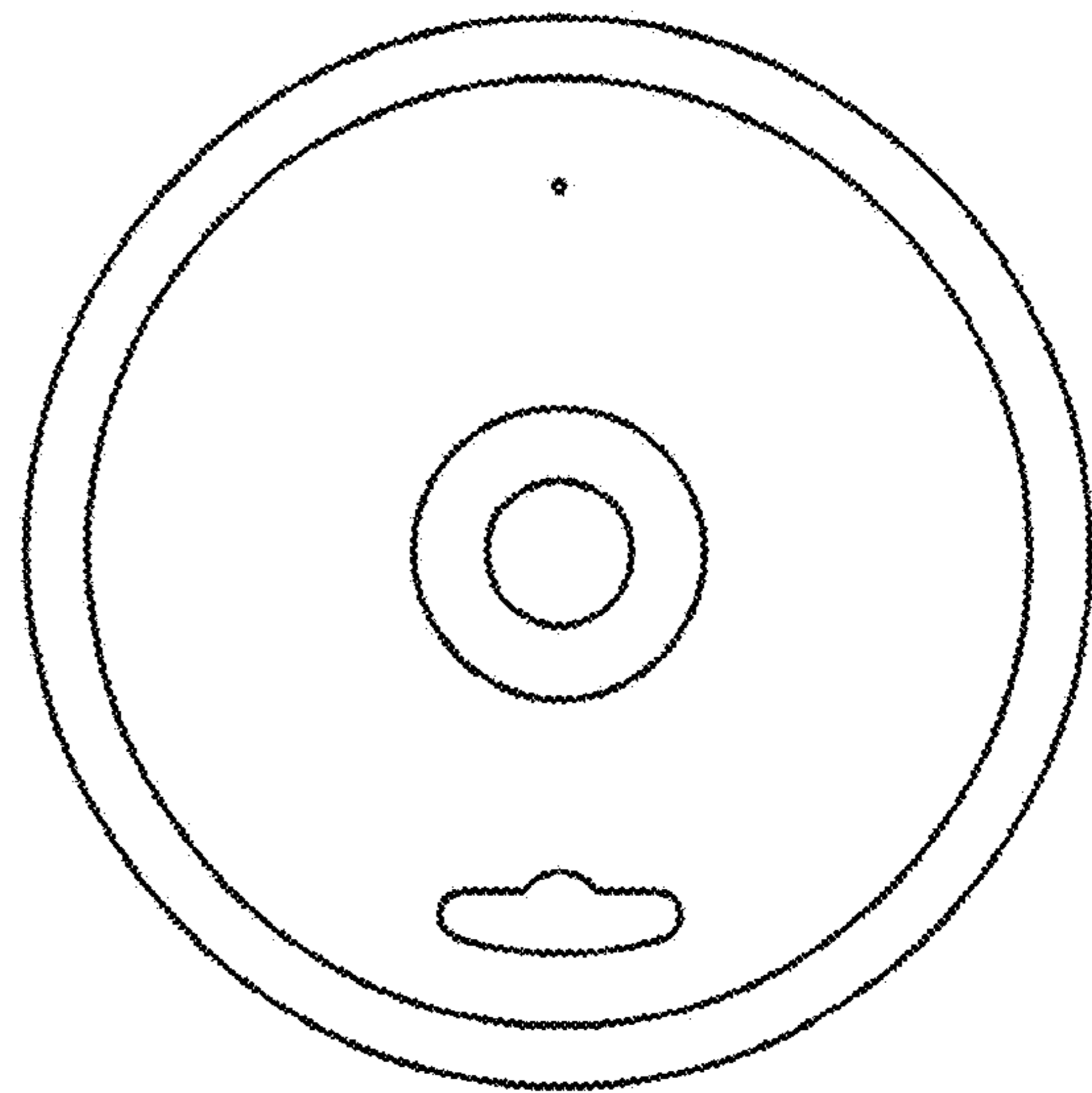


FIG. 3

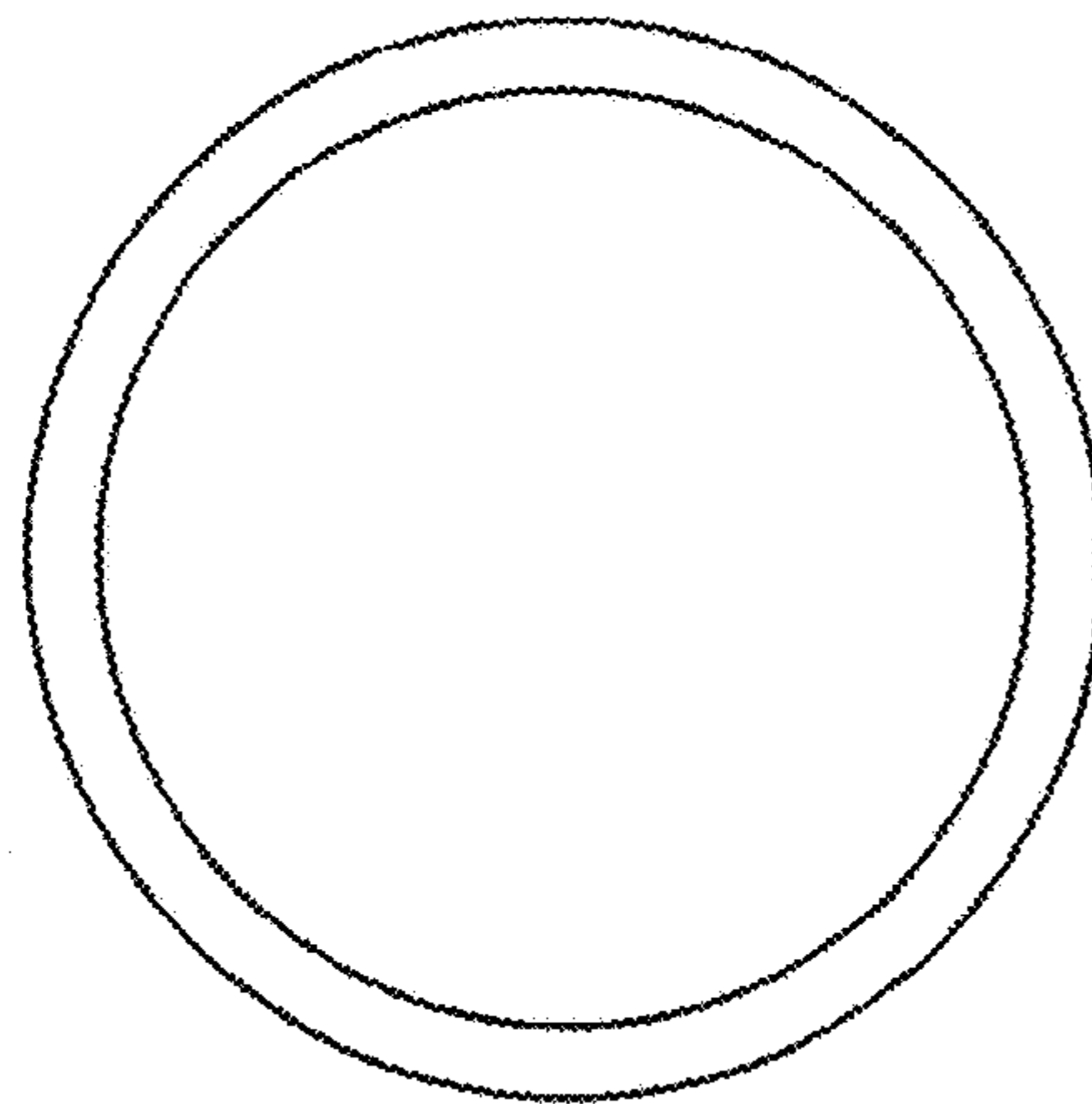


FIG. 4

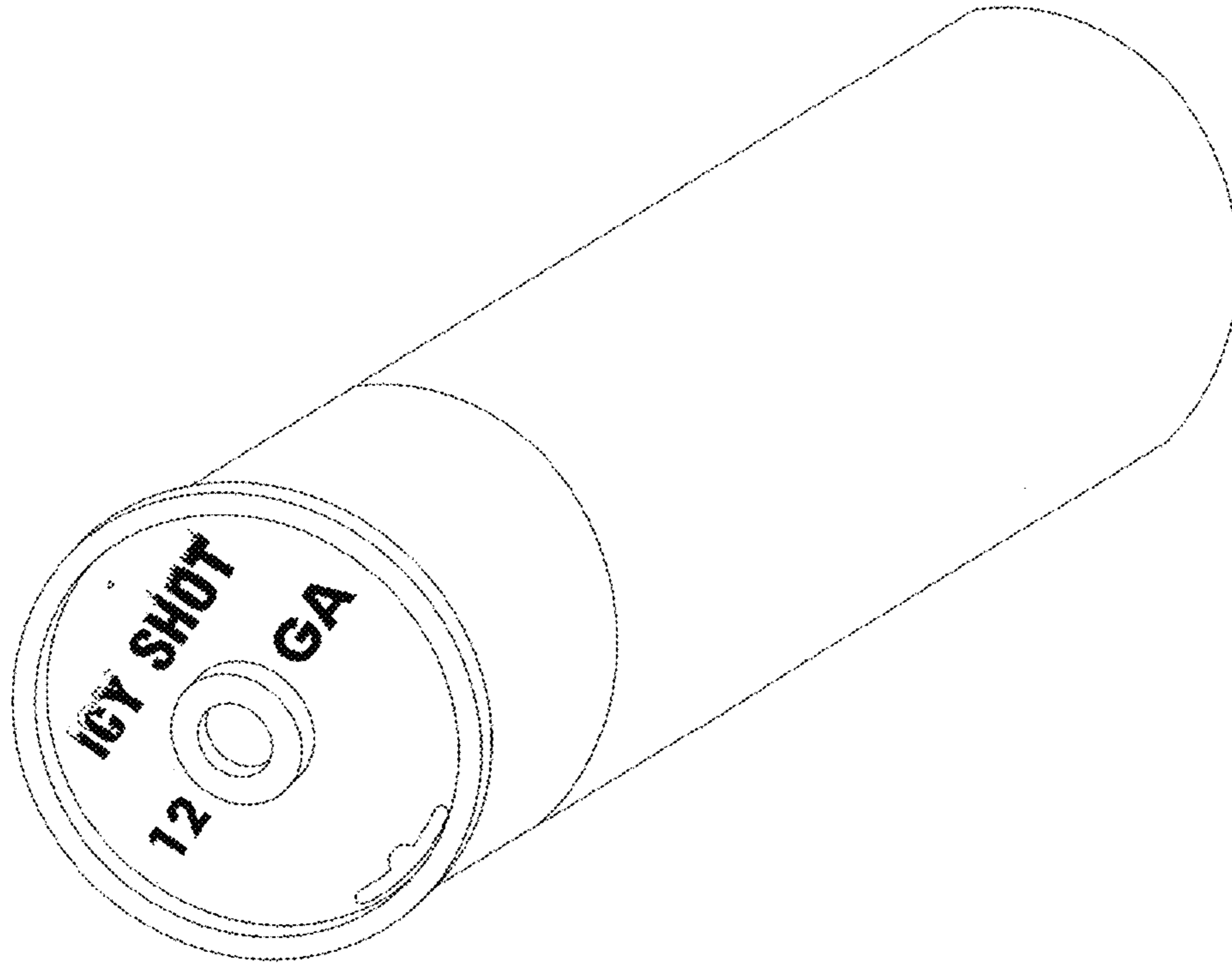


FIG. 5

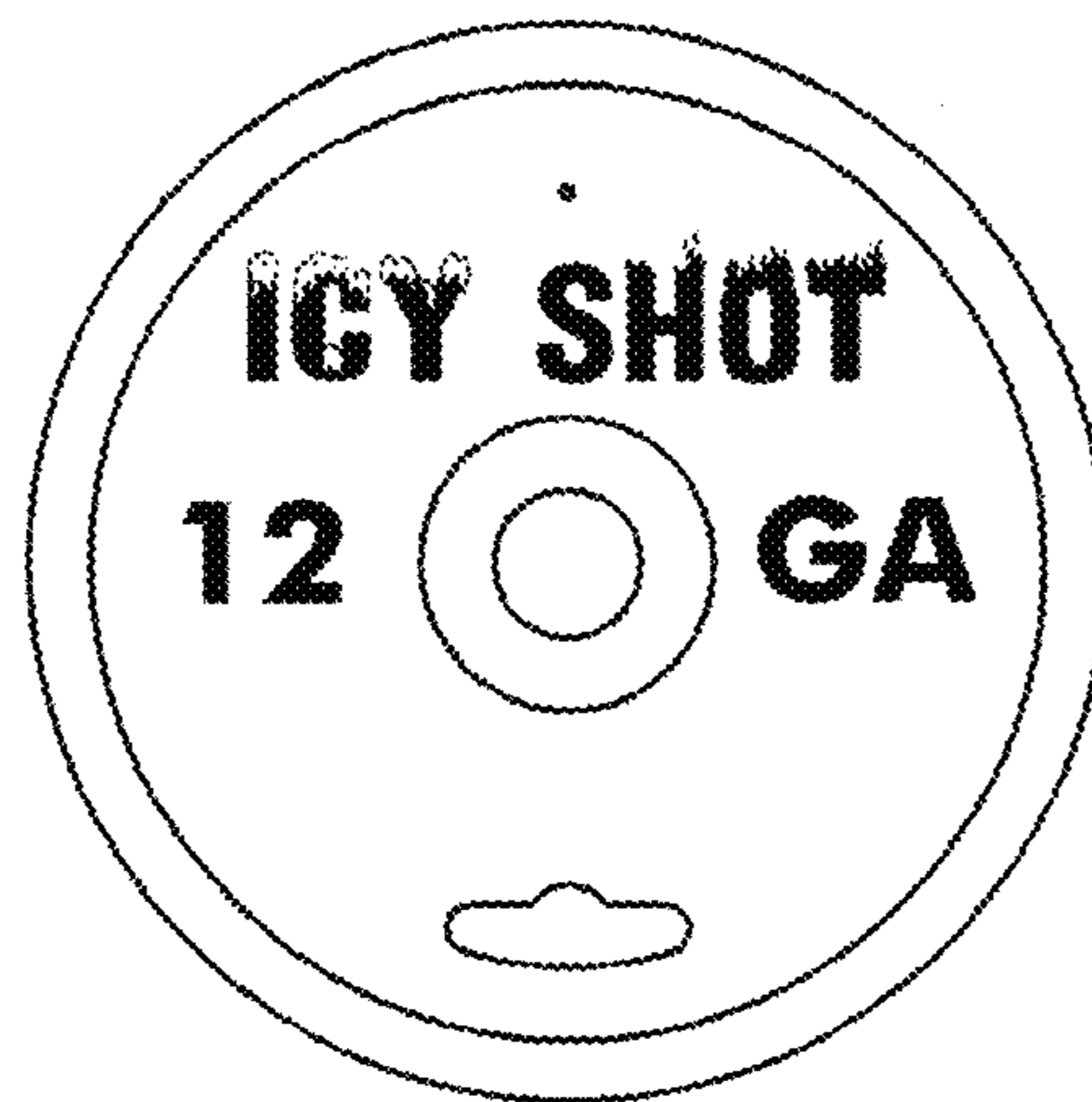


FIG. 6

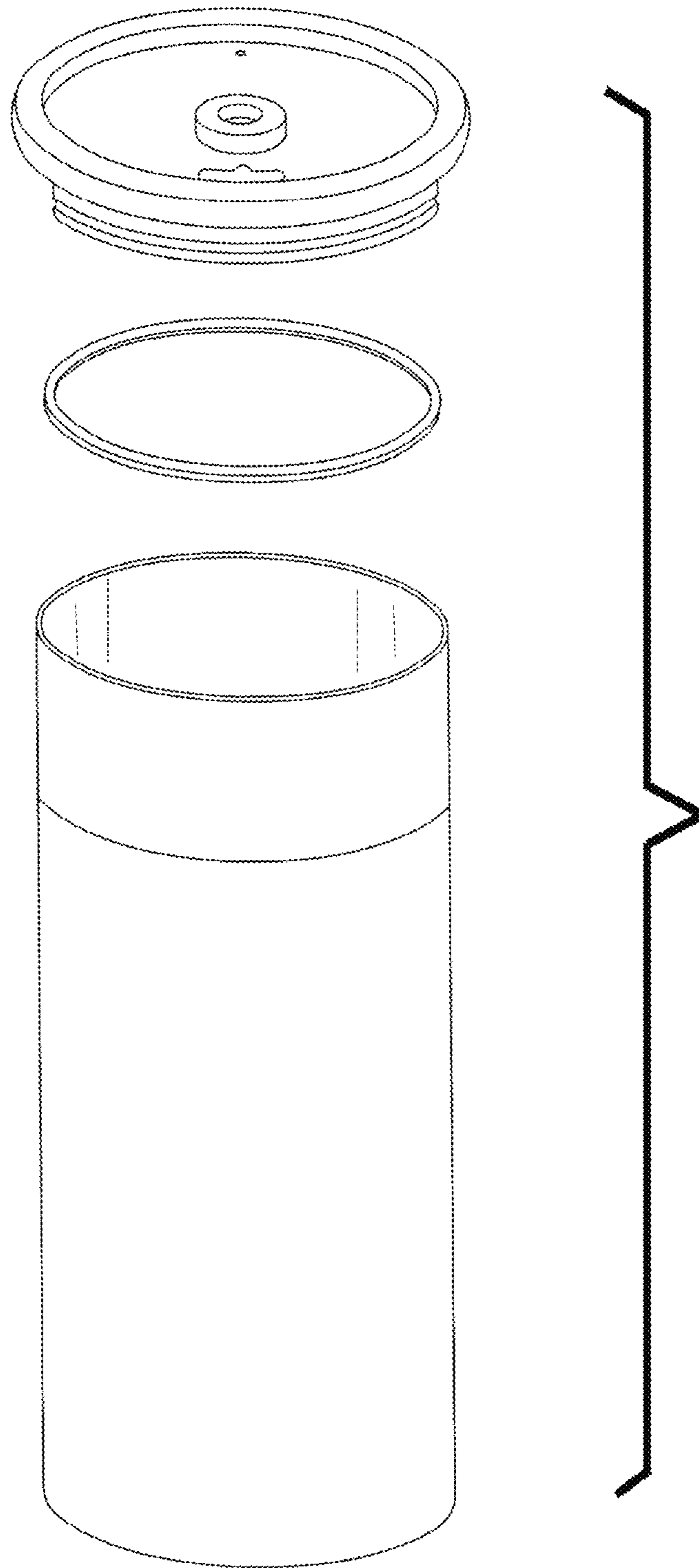


FIG. 7

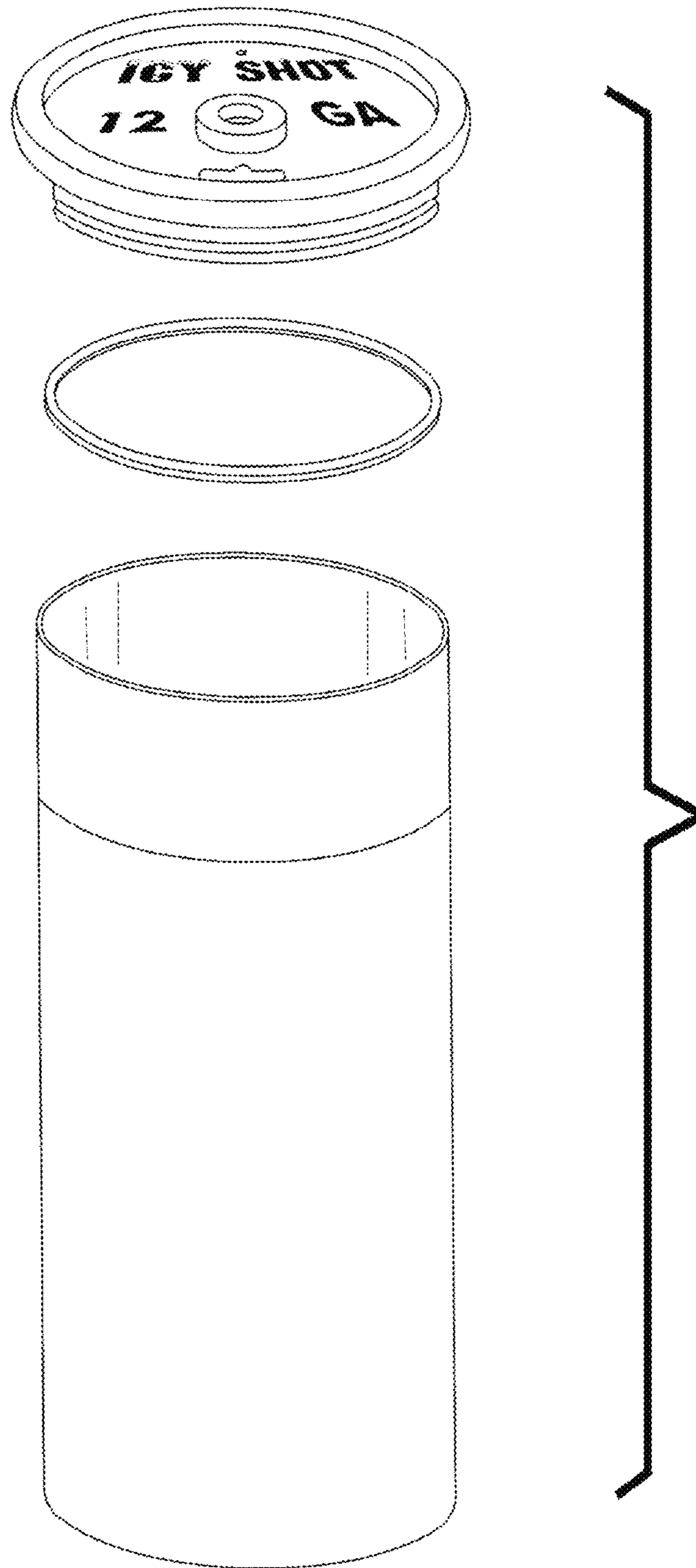


FIG. 8

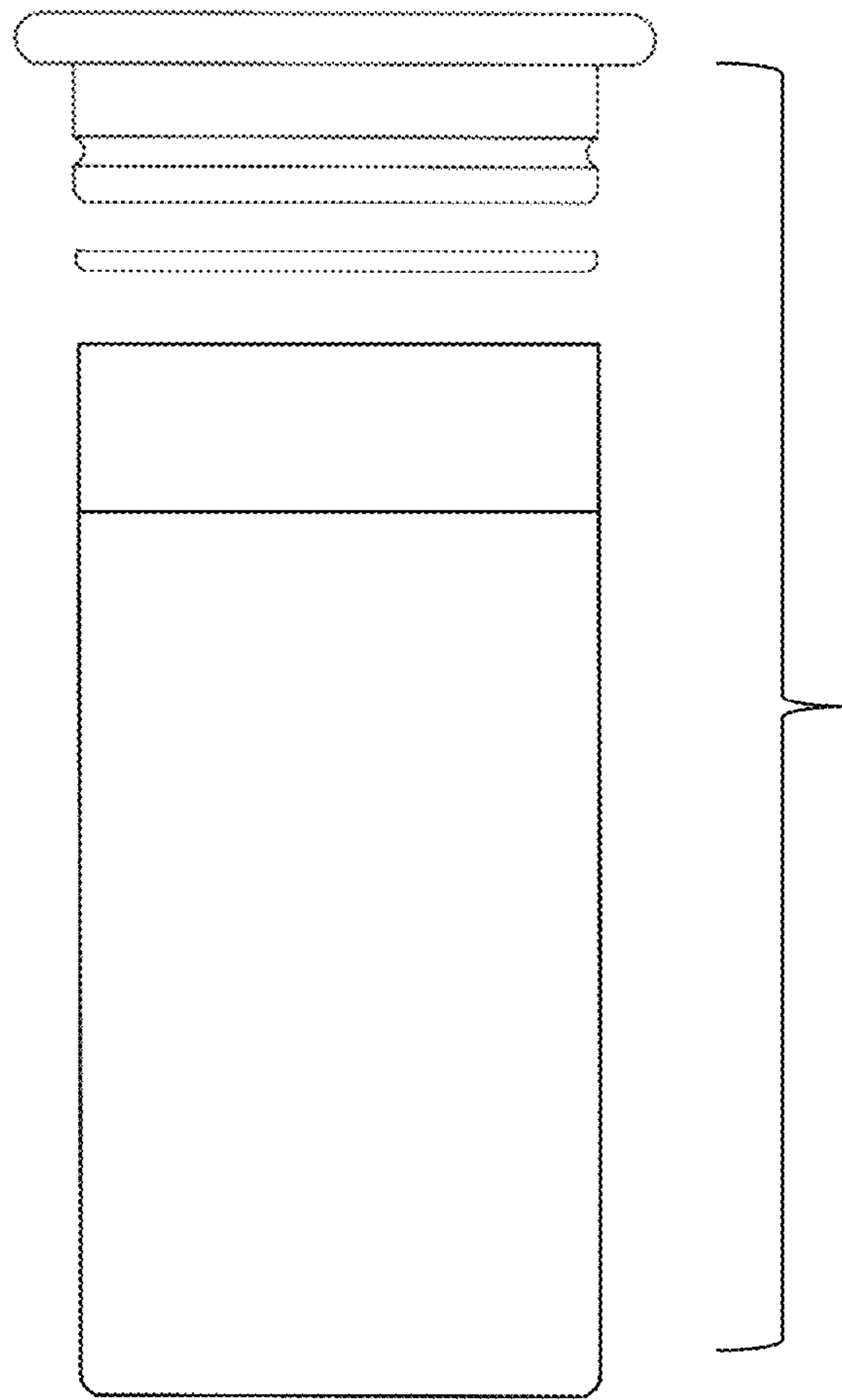


FIG. 9



