



US00D888568S

(12) **United States Design Patent**
Hudson et al.

(10) **Patent No.:** **US D888,568 S**

(45) **Date of Patent:** **** *Jun. 30, 2020**

(54) **STORAGE CONTAINER**

OTHER PUBLICATIONS

(71) Applicant: **THE SHERWIN-WILLIAMS COMPANY**, Cleveland, OH (US)

“Twist & Pour for quarts, too.” packworld.com. Aug. 31, 2003. Accessed Nov. 20, 2018. Available online at URL: <https://www.packworld.com/article/package-component/closures/twist-pour-quarts-too> (Year: 2003).

(72) Inventors: **Richard D. Hudson**, North Olmsted, OH (US); **James J. Johnson**, Lake Milton, OH (US); **Gustavo A. Morales**, Brunswick, OH (US); **Edward R. Goodwin, Jr.**, Westlake, OH (US); **Michael C. Lambertson, Jr.**, Aurora, OH (US); **Charles T. Buckel, Jr.**, Valley City, OH (US)

(Continued)

Primary Examiner — Cathron C Brooks

Assistant Examiner — Christian P. McLean

(74) *Attorney, Agent, or Firm* — Tucker Ellis LLP; Carlos Garritano

(73) Assignee: **The Sherwin-Williams Manufacturing Company**, Cleveland, OH (US)

(57) **CLAIM**

(*) Notice: This patent is subject to a terminal disclaimer.

The ornamental design for a storage container, as shown and described.

(**) Term: **15 Years**

(21) Appl. No.: **29/698,491**

DESCRIPTION

(22) Filed: **Jul. 17, 2019**

Related U.S. Application Data

(63) Continuation of application No. 29/610,101, filed on Jul. 10, 2017, now Pat. No. Des. 873,667.

(51) **LOC (12) Cl.** **09-01**

(52) **U.S. Cl.**
USPC **D9/540**

(58) **Field of Classification Search**
USPC D7/300–322, 391–396.2, 509–511, 523, D7/589, 598, 612, 615, 619.1; D9/435,
(Continued)

FIG. 1 is a perspective view of an embodiment of a storage container showing our new design;

FIG. 2 is a bottom perspective view of the storage container illustrated in FIG. 1;

FIG. 3 is a front view of the storage container illustrated in FIG. 1;

FIG. 4 is a rear view of the storage container illustrated in FIG. 1;

FIG. 5 is a left side view of the storage container illustrated in FIG. 1;

FIG. 6 is a right side view of the storage container illustrated in FIG. 1;

FIG. 7 is a top view of the storage container illustrated in FIGS. 1; and,

FIG. 8 is a bottom view of the storage container illustrated in FIG. 1.

The broken lines illustrate portions of the storage container that form no part of the claimed design.

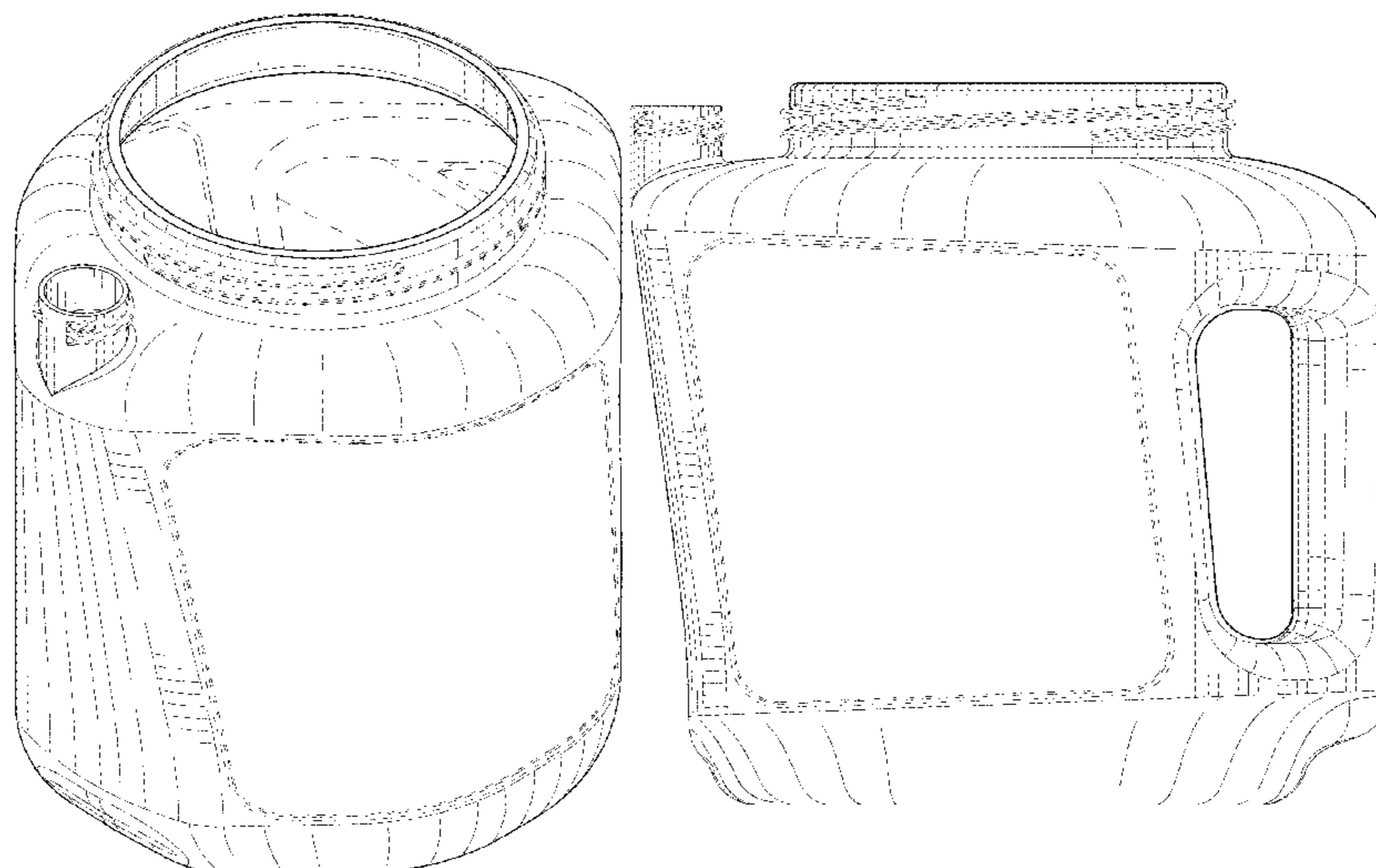
(56) **References Cited**

U.S. PATENT DOCUMENTS

D261,362 S 10/1981 Epperson
D279,763 S 7/1985 Hestehave

(Continued)

1 Claim, 8 Drawing Sheets



US D888,568 S

(58) **Field of Classification Search**

USPC D9/436, 439, 440, 443, 447, 454, 500,
 D9/503–505, 516–575, 763–783;
 215/40–55, 316–354, 370–385;
 220/574–575; D4/116; D6/515–519,
 D6/542–545; D28/7, 57, 73, 76–91.1
 CPC B65D 1/00; B65D 1/02; B65D 1/0223;
 B65D 1/023; B65D 1/0276
 See application file for complete search history.

(56) **References Cited**

U.S. PATENT DOCUMENTS

5,299,710	A	4/1994	Welsch	
D370,850	S *	6/1996	Beaver	D9/543
6,059,153	A	5/2000	Olson	
D500,953	S	1/2005	Nottingham	
7,216,779	B2 *	5/2007	Kasting	B65D 25/2867 222/111
D556,041	S	11/2007	Flanagan-Kent	
D563,228	S	3/2008	Nottingham	
D565,958	S	4/2008	Considine	
D570,222	S *	6/2008	Flanagan-Kent	D9/531
D573,475	S *	7/2008	Nottingham	D9/531
D586,223	S	2/2009	Little	
D588,008	S	3/2009	Flanagan-Kent	
D591,600	S *	5/2009	Dorn	D9/531
7,677,423	B2 *	3/2010	Kasting	B65D 25/2867 222/111
D623,954	S *	9/2010	Hawry	D9/522
D631,358	S *	1/2011	Voelker	D9/528
D679,194	S *	4/2013	Green	D9/540

D696,131	S *	12/2013	Voelker	D9/528
D779,332	S *	2/2017	Zuzelski	D9/540
D779,333	S *	2/2017	Zuzelski	D9/540
D814,304	S	4/2018	Hudson	
D815,534	S	4/2018	Hudson	
D816,504	S	5/2018	Hudson	
D818,830	S	5/2018	Hudson	
D824,766	S	8/2018	Hudson	
D828,170	S *	9/2018	Cowan-Hughes	D9/528
D835,512	S *	12/2018	Sterling	D9/531
D843,218	S	3/2019	Hudson	
D843,837	S	3/2019	Hudson	
10,494,145	B2 *	12/2019	Hudson	B65D 3/12
D873,667	S *	1/2020	Hudson	D9/528
2003/0121941	A1 *	7/2003	Walsh	B44D 3/12 222/465.1
2004/0011831	A1 *	1/2004	McDonald	B44D 3/12 222/567
2007/0187412	A1 *	8/2007	Gruskin	B65D 1/10 220/500
2007/0187413	A1	8/2007	Gruskin	
2007/0187420	A1 *	8/2007	Gruskin	B65D 25/2897 220/771
2017/0267409	A1	9/2017	Hudson	
2019/0061988	A1	2/2019	Liu	

OTHER PUBLICATIONS

Mead, Matthew. "Why You Should Question Everything." matthewmead.com. Jan. 6, 2014. Accessed Nov. 20, 2018. Available online at URL: <<https://www.packworld.com/article/package-component/closures/twist-pour-quarts-too>> (Year: 2014).

* cited by examiner

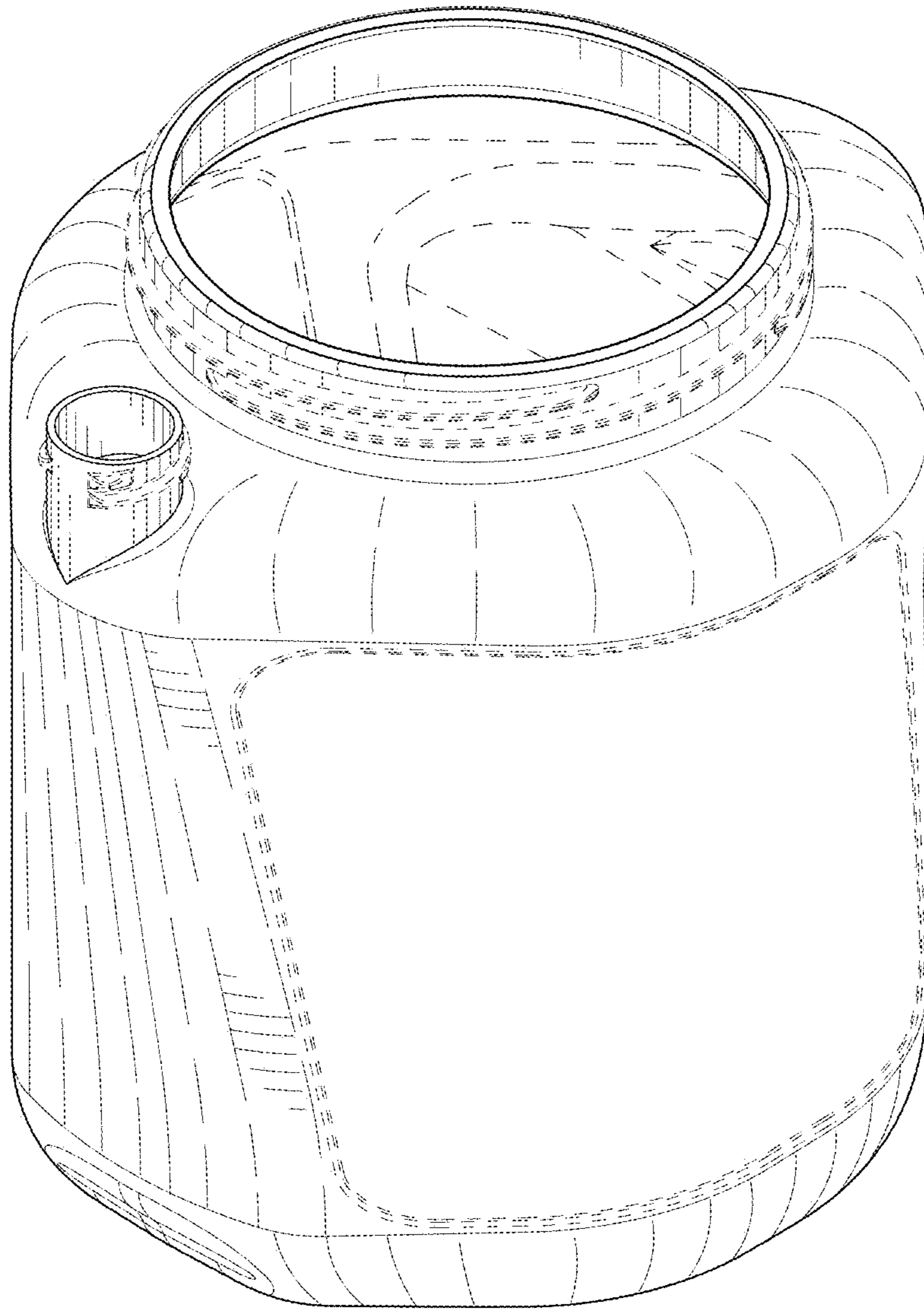


FIG.1

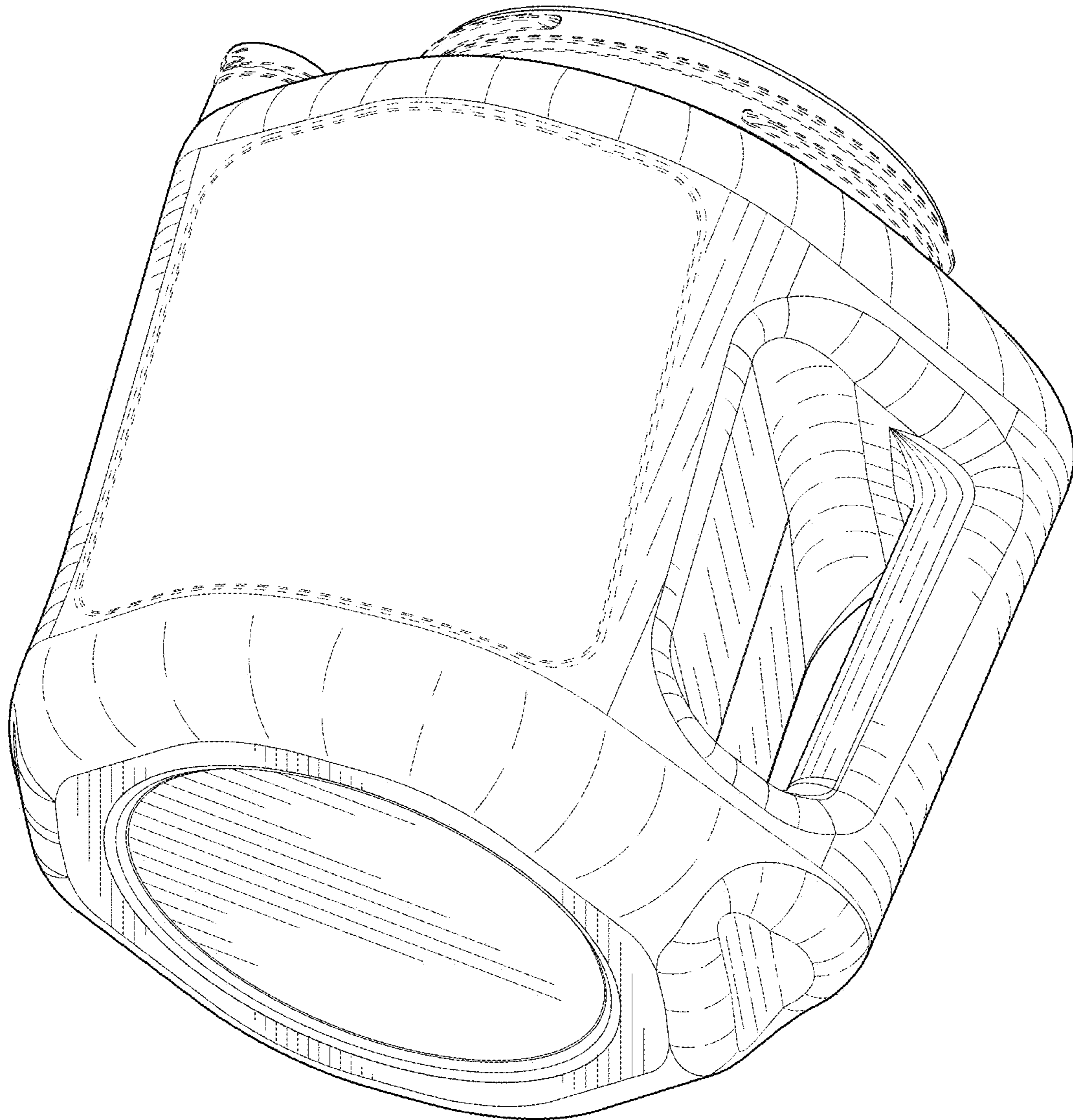


FIG.2

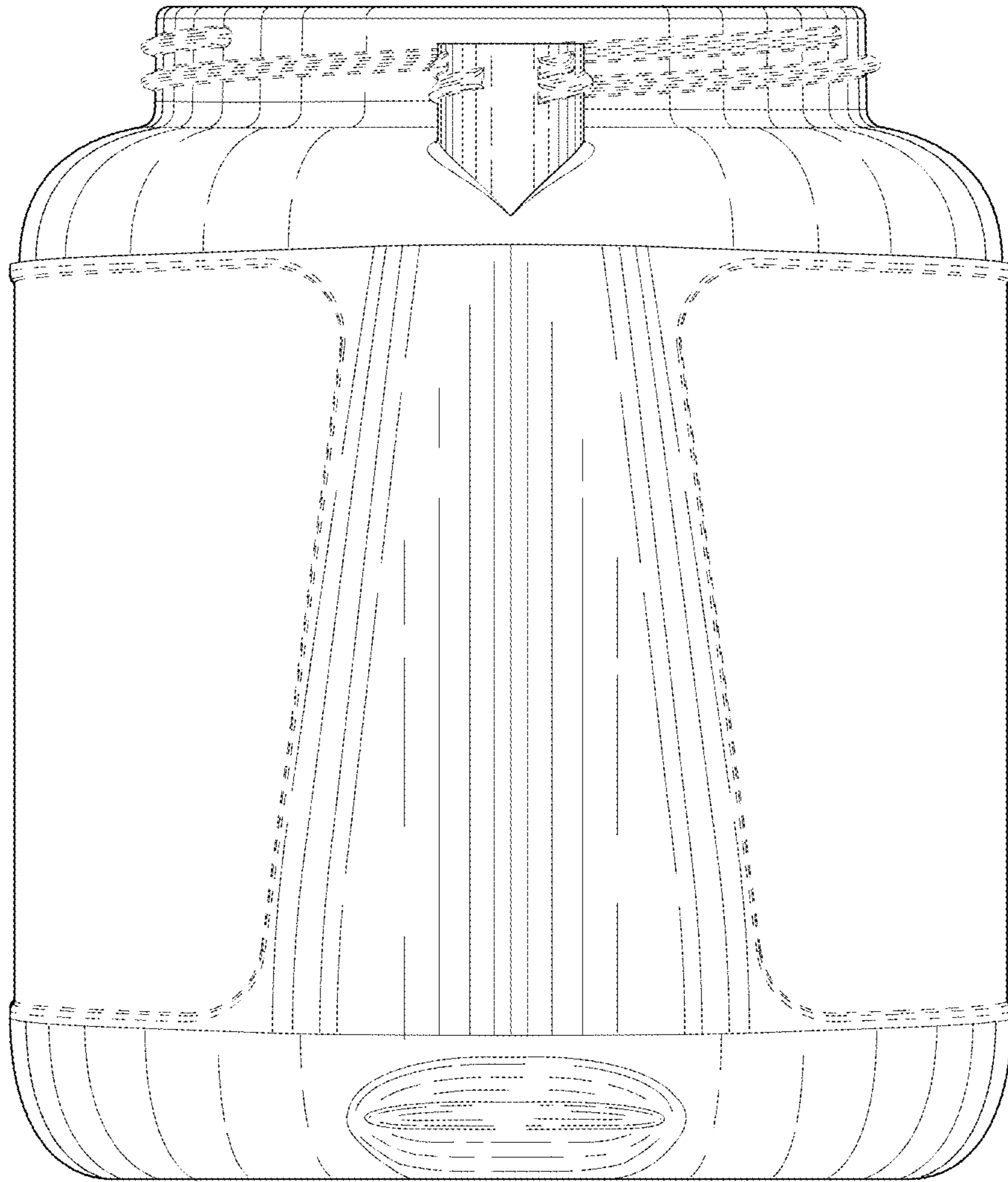


FIG. 3

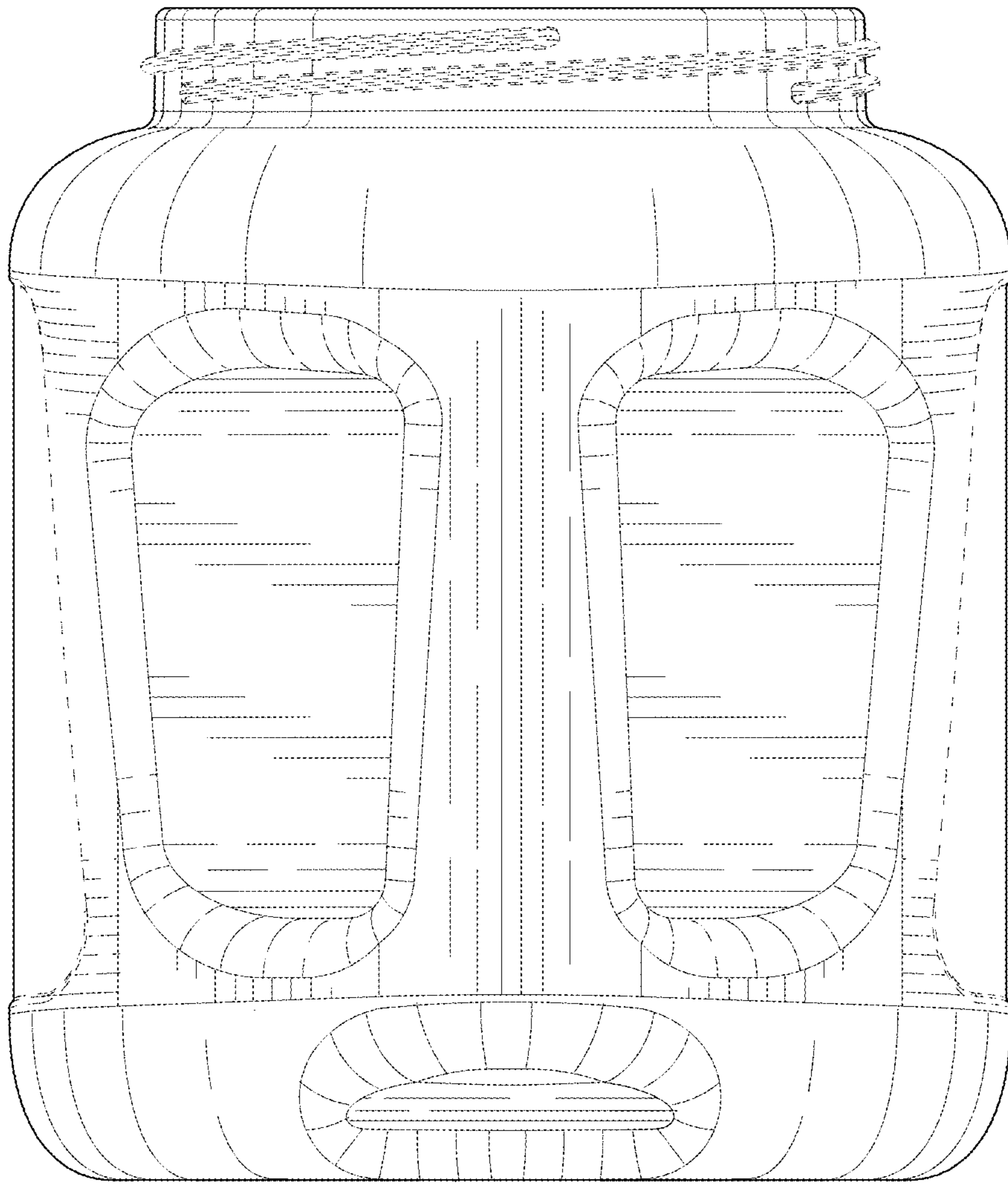


FIG. 4

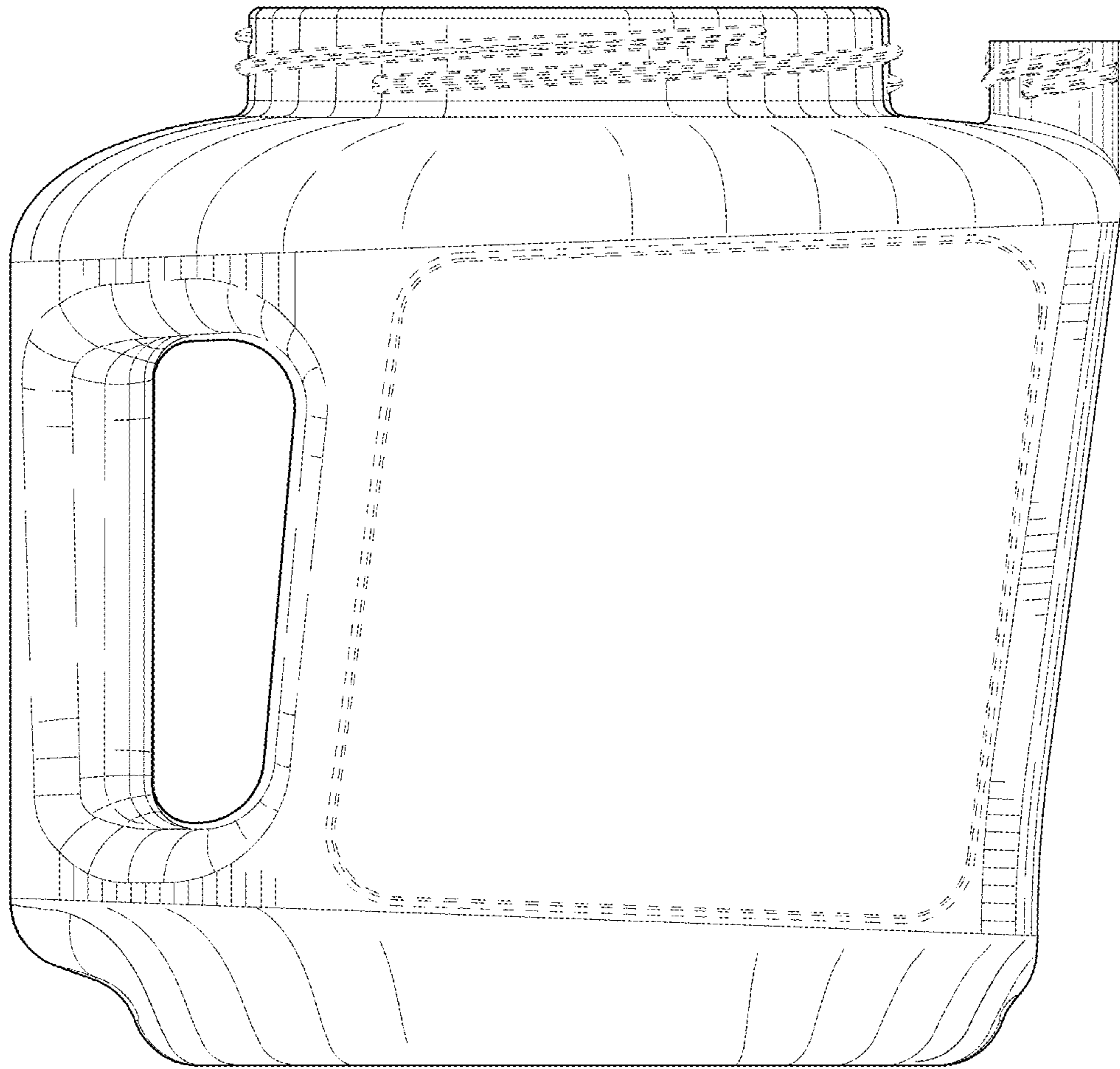


FIG. 5

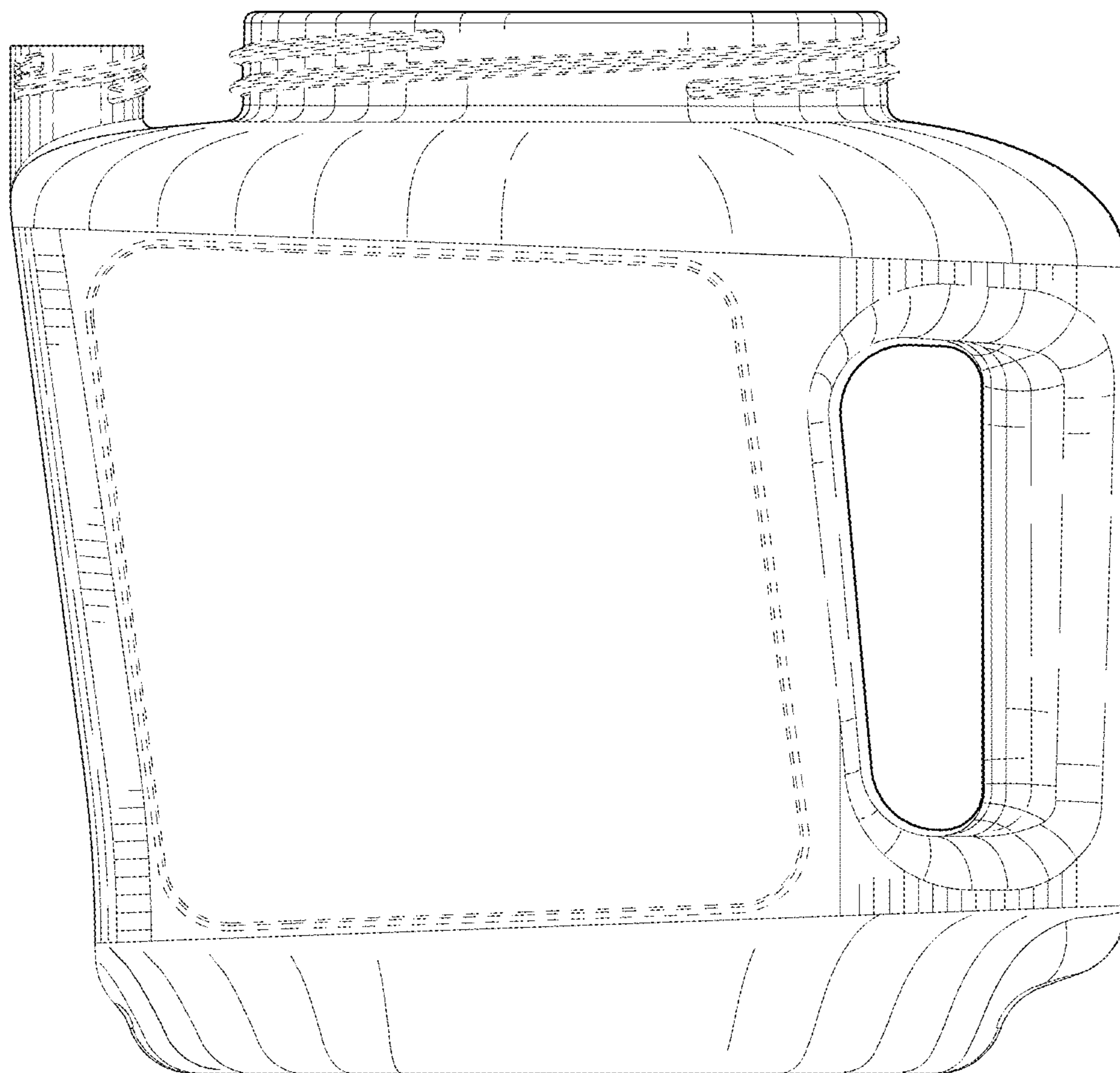


FIG. 6

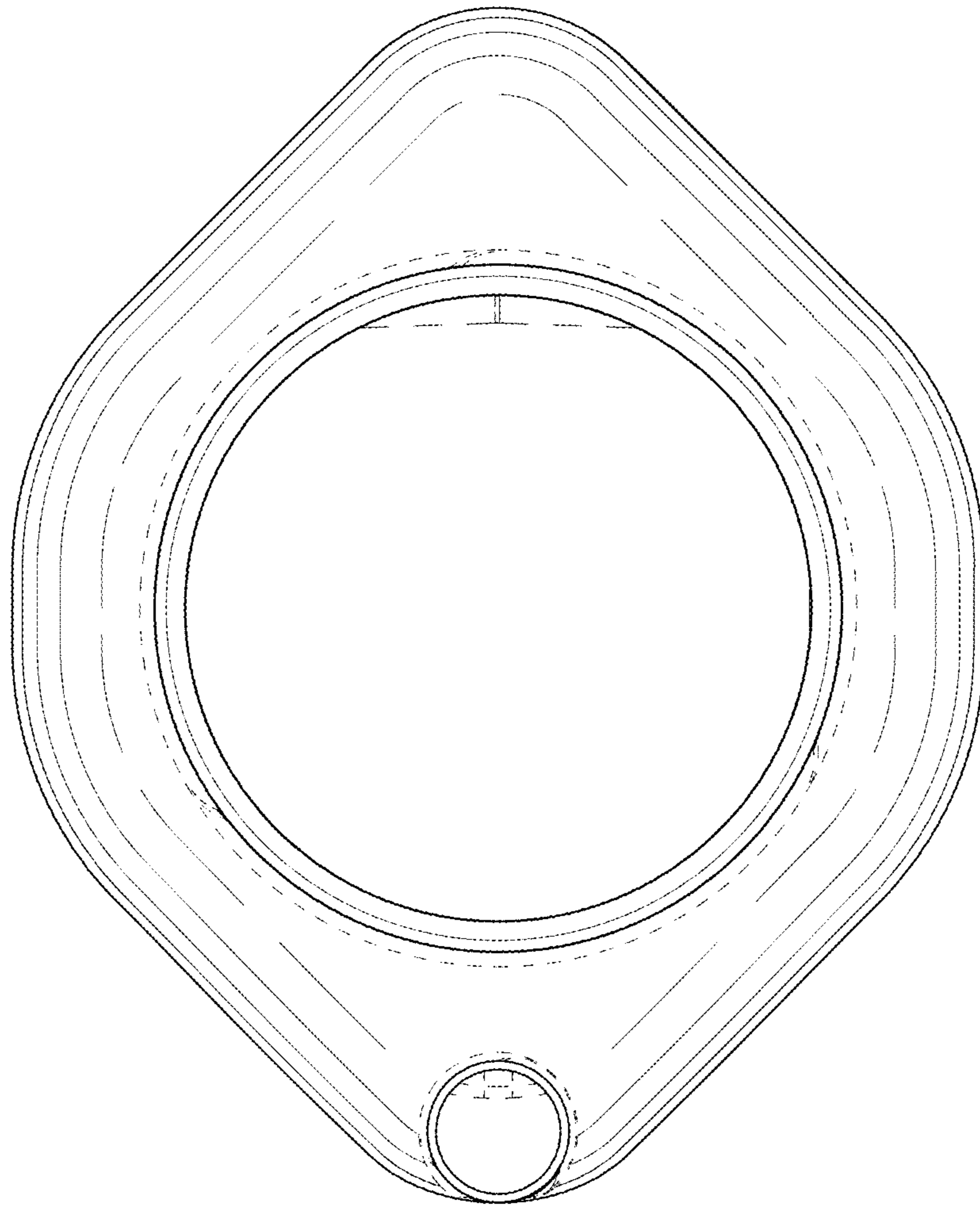


FIG.7

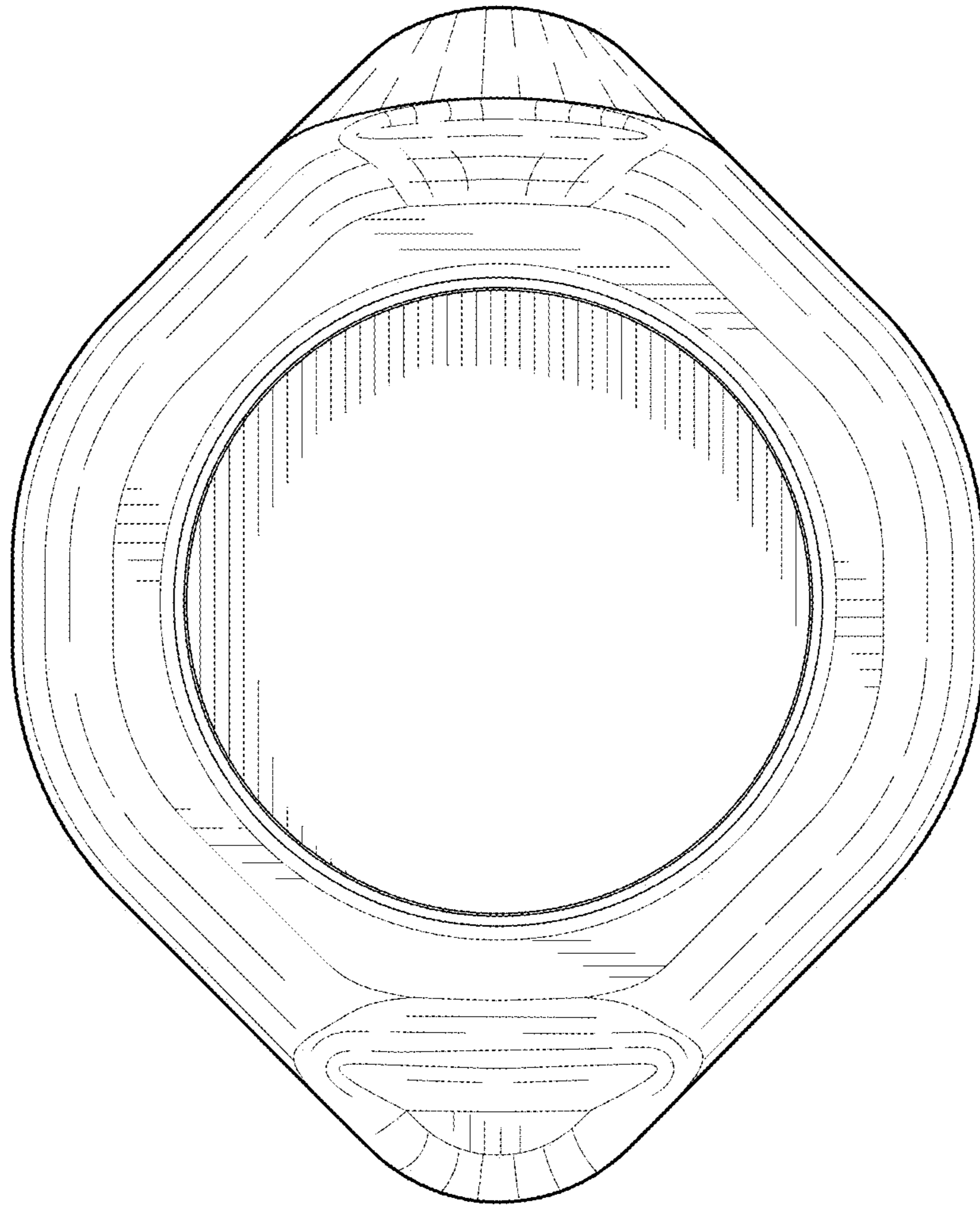


FIG.8