



US00D888567S

(12) **United States Design Patent** (10) **Patent No.:** **US D888,567 S**
Thibault (45) **Date of Patent:** **** Jun. 30, 2020**

(54) **CONTAINER**

(56) **References Cited**

(71) Applicant: **LES ÉQUIPEMENTS
D'ÉRABLIÈRE C.D.L. INC.,**
Saint-Lazare-de-Bellechasse (CA)

U.S. PATENT DOCUMENTS

(72) Inventor: **Maxim Thibault,**
Saint-Damien-de-Buckland (CA)

D76,990 S *	11/1928	Curran	D9/523
D121,948 S *	8/1940	Brooks	D7/317
D196,001 S *	8/1963	Zaleski	D9/536
D201,580 S *	7/1965	Dike	D9/560
D202,661 S *	10/1965	Marchant	D9/536
D203,416 S *	1/1966	Ammondson	D9/531
D204,499 S *	4/1966	Ferar	D9/531
D214,552 S *	7/1969	Hills	D9/536
D215,411 S *	9/1969	Anderson	D9/536
D232,077 S *	7/1974	Strand	D9/536
D307,551 S *	5/1990	Platte, Sr.	D9/531
D456,272 S *	4/2002	Sadeghi	D9/560
D502,106 S *	2/2005	Roseberg	D9/528
D508,408 S *	8/2005	Roseberg	D9/528
D676,329 S *	2/2013	Yourist	D9/541
D837,655 S *	1/2019	Moliner	D9/531
D846,991 S *	4/2019	Moliner	D9/536

(73) Assignee: **LES ÉQUIPEMENTS
D'ÉRABLIÈRE C.D.L. INC.,**
Saint-Lazare-de-Bellechasse (CA)

(**) Term: **15 Years**

(21) Appl. No.: **29/729,724**

(22) Filed: **Mar. 30, 2020**

* cited by examiner

Related U.S. Application Data

(62) Division of application No. 29/659,792, filed on Aug. 13, 2018.

Primary Examiner — Dana Meyrow
(74) *Attorney, Agent, or Firm* — Fasken Martineau
DuMoulin LLP

(51) **LOC (12) Cl.** **09-01**

(57) **CLAIM**

The ornamental design for a container, as shown and described.

(52) **U.S. Cl.**

USPC **D9/531**; D9/560; D9/571; D7/316

DESCRIPTION

(58) **Field of Classification Search**

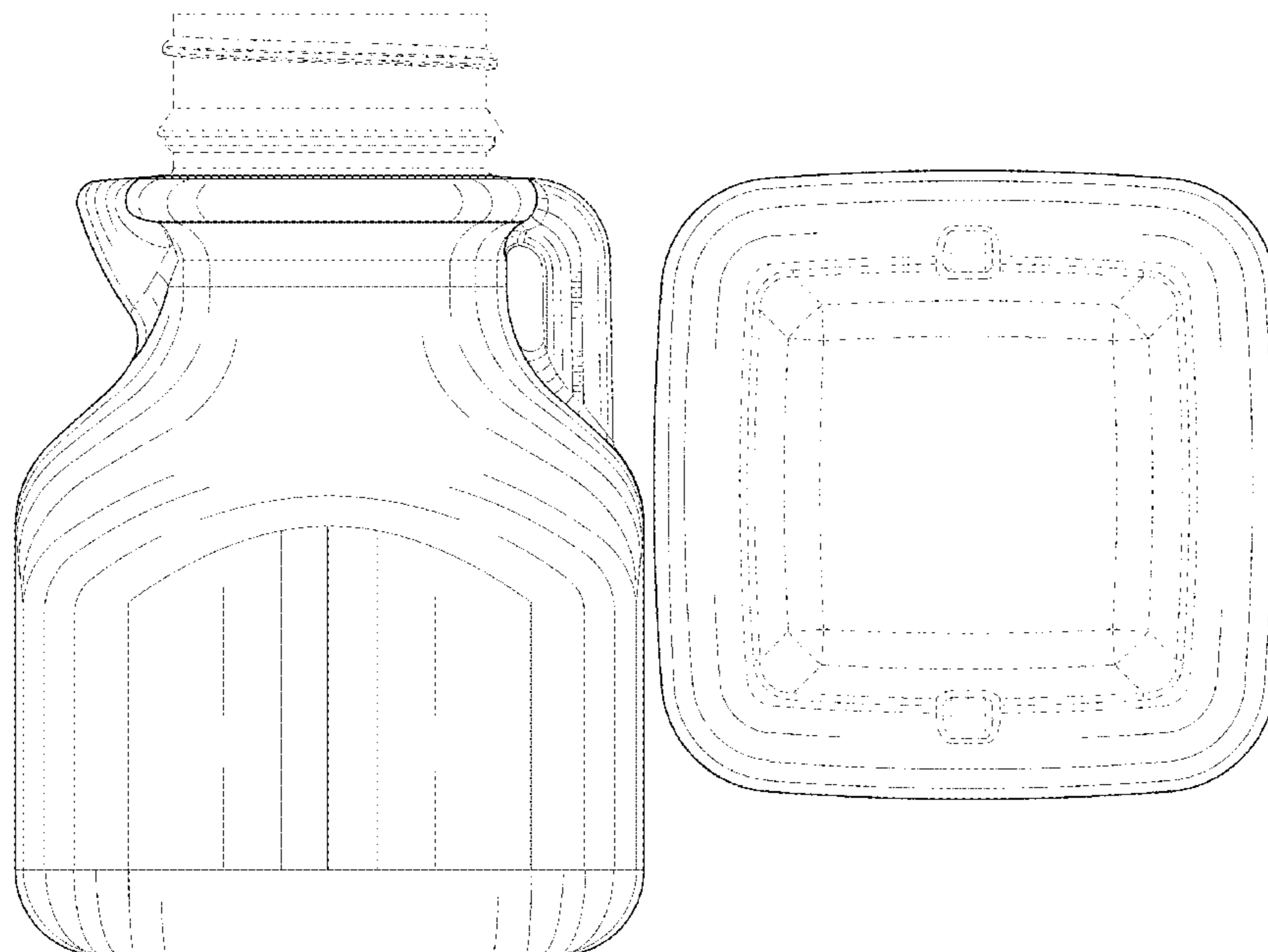
USPC D9/434, 516, 528, 530–531, 536, 541,
D9/543, 560, 563, 570–571, 575, 715,
D9/719; D7/316–319, 598

FIG. 1 is a perspective view of a container;
FIG. 2 is a front view thereof.
FIG. 3 is a rear view thereof;
FIG. 4 is a left view thereof;
FIG. 5 is a right view thereof;
FIG. 6 is a top view thereof; and,
FIG. 7 is a bottom view thereof.
The broken lines in the drawings illustrate the portions of the container that form no part of the claimed design.

CPC B65D 1/00; B65D 1/02; B65D 1/0223;
B65D 1/0261; B65D 1/0284; B65D 1/44;
B65D 23/00; B65D 23/10; B65D 23/102;
B65D 2501/00; B65D 2501/0009; B65D
2501/081

See application file for complete search history.

1 Claim, 7 Drawing Sheets



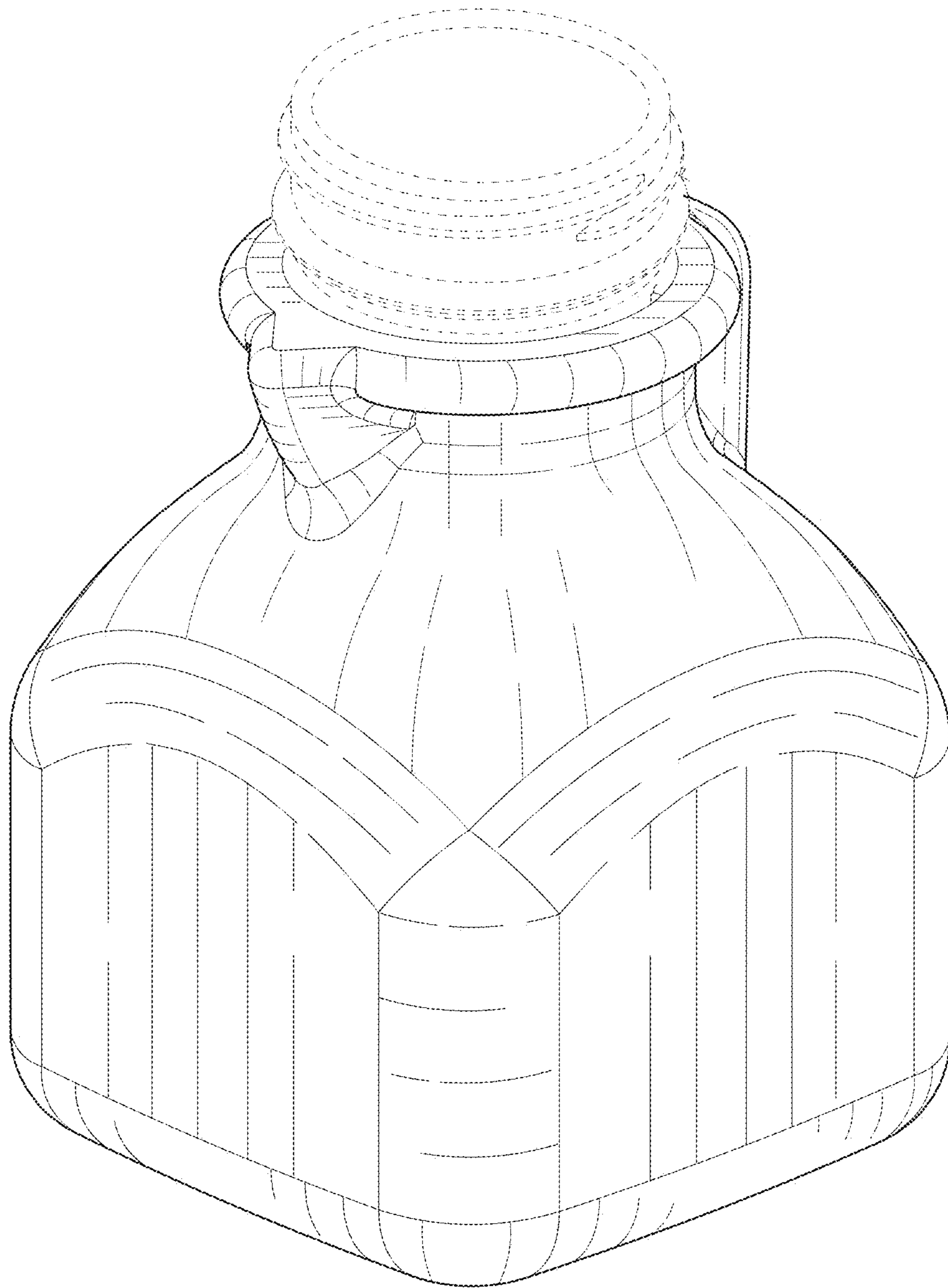


FIG. 1

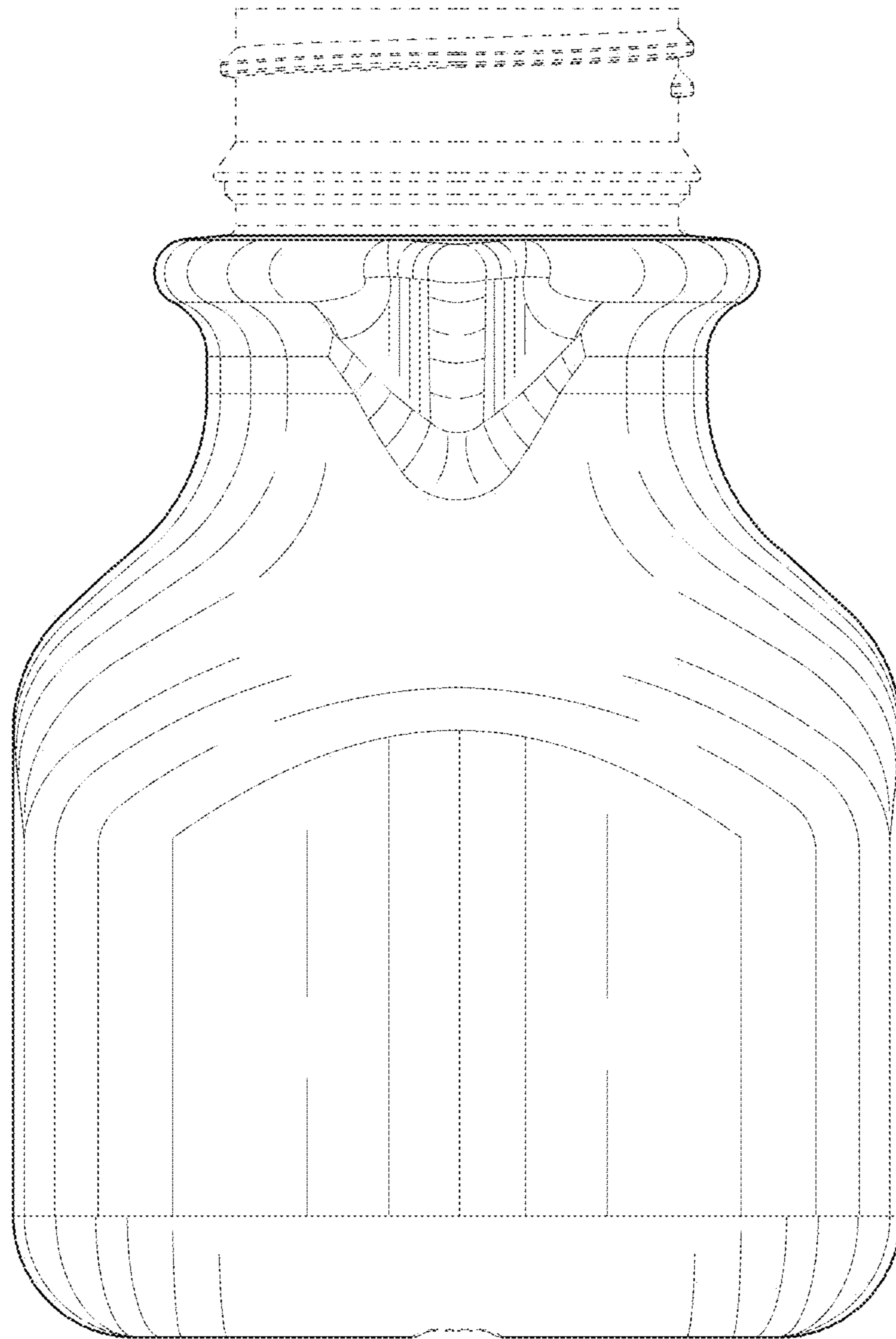


FIG.2

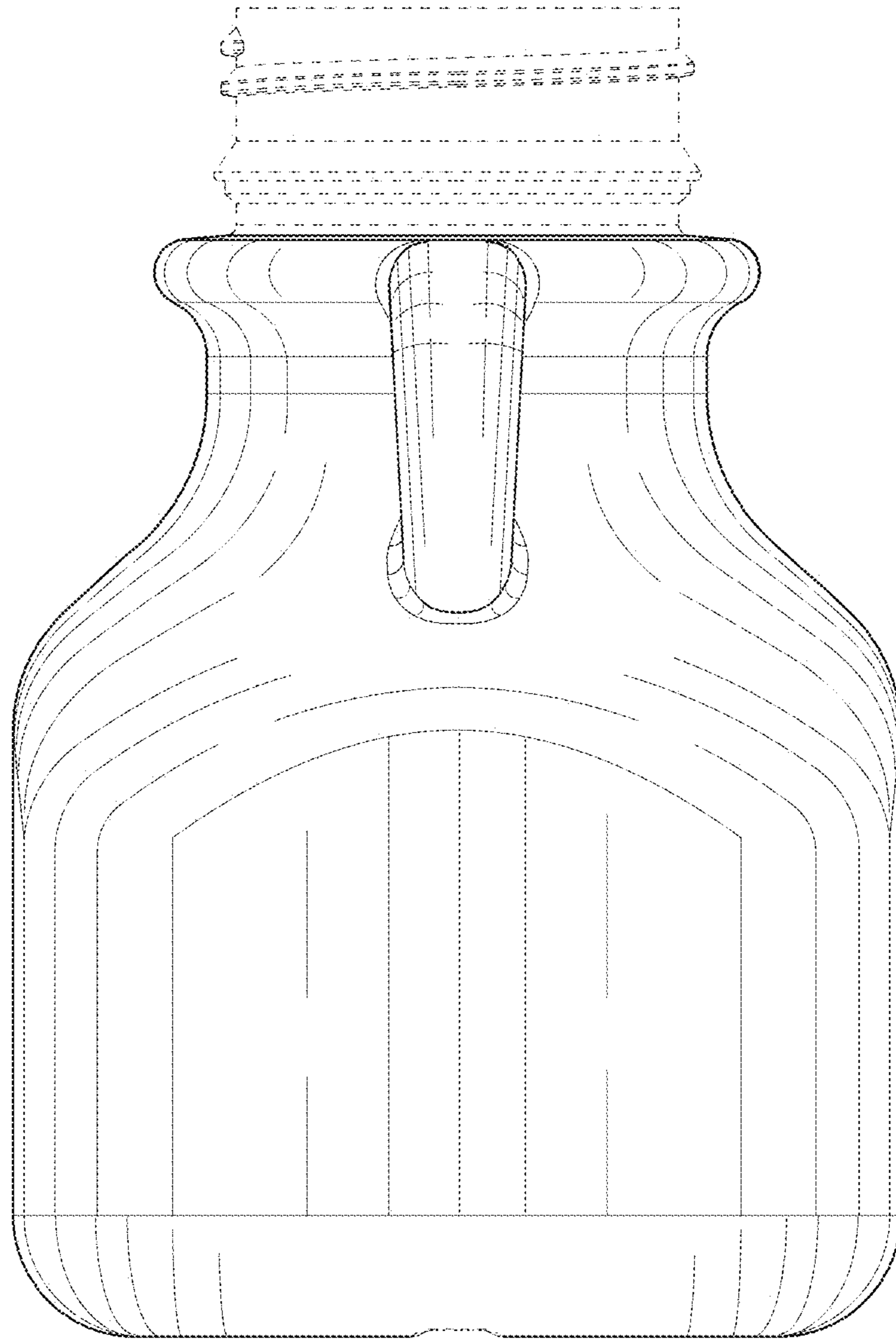


FIG.3

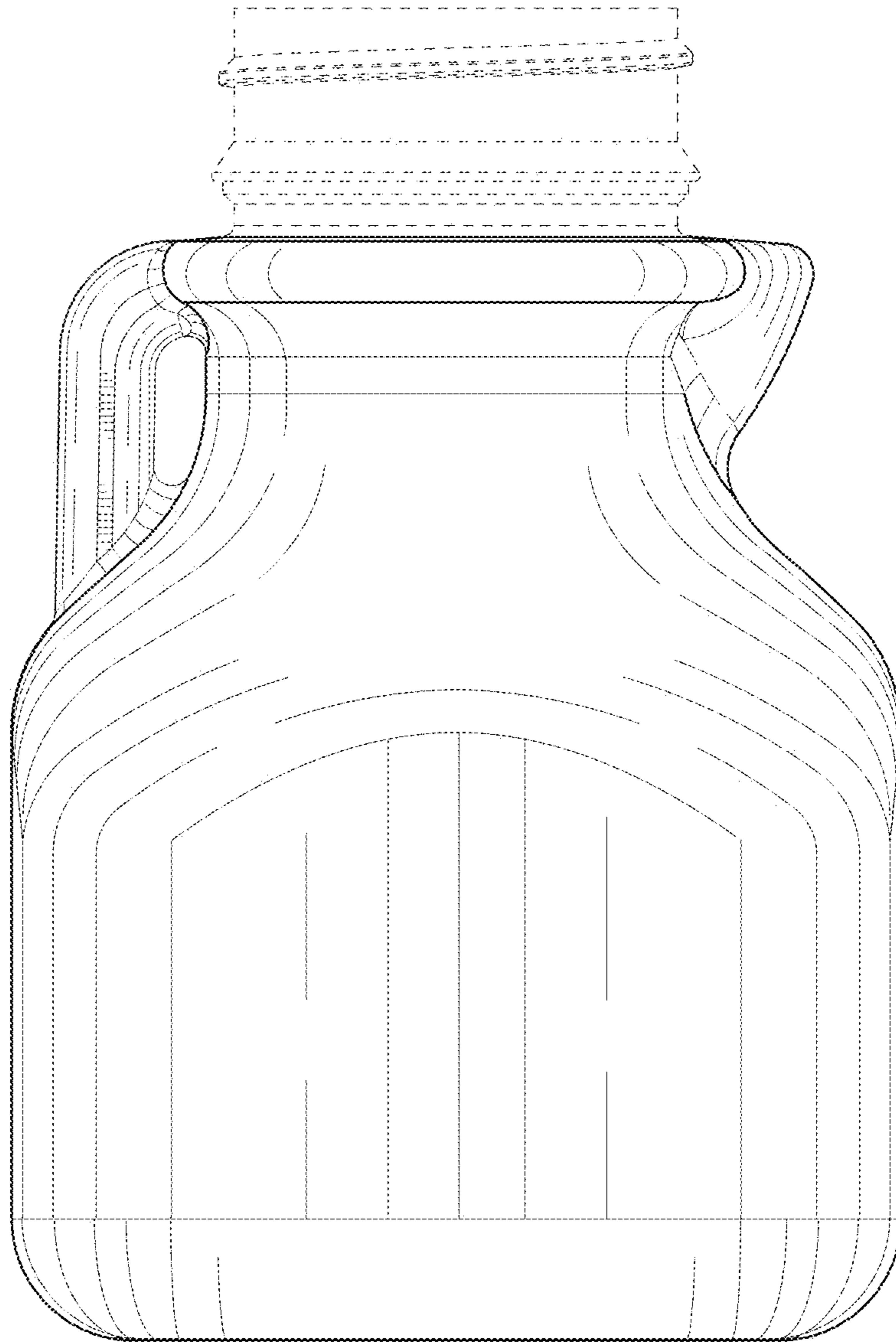


FIG. 4

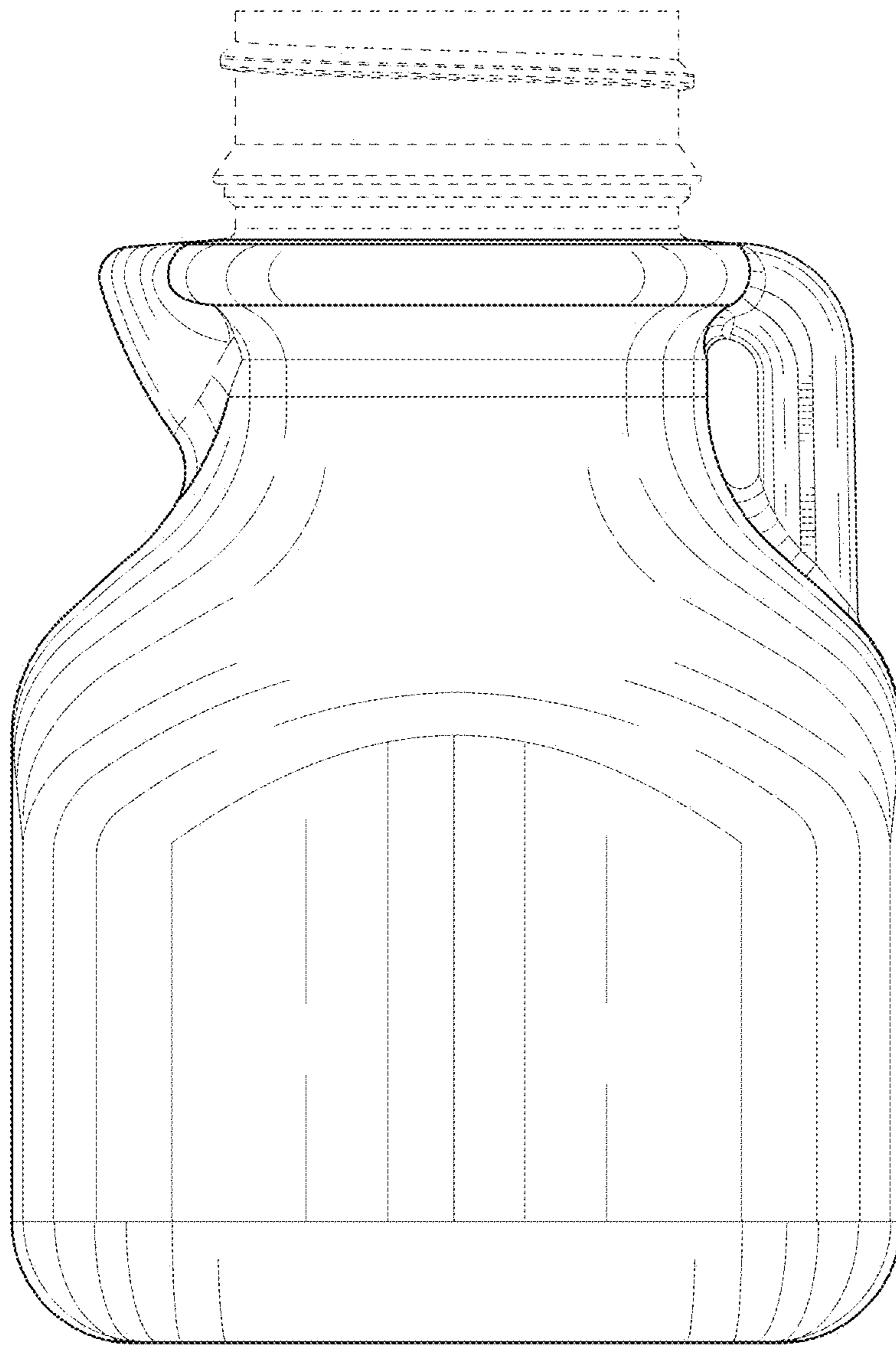


FIG. 5

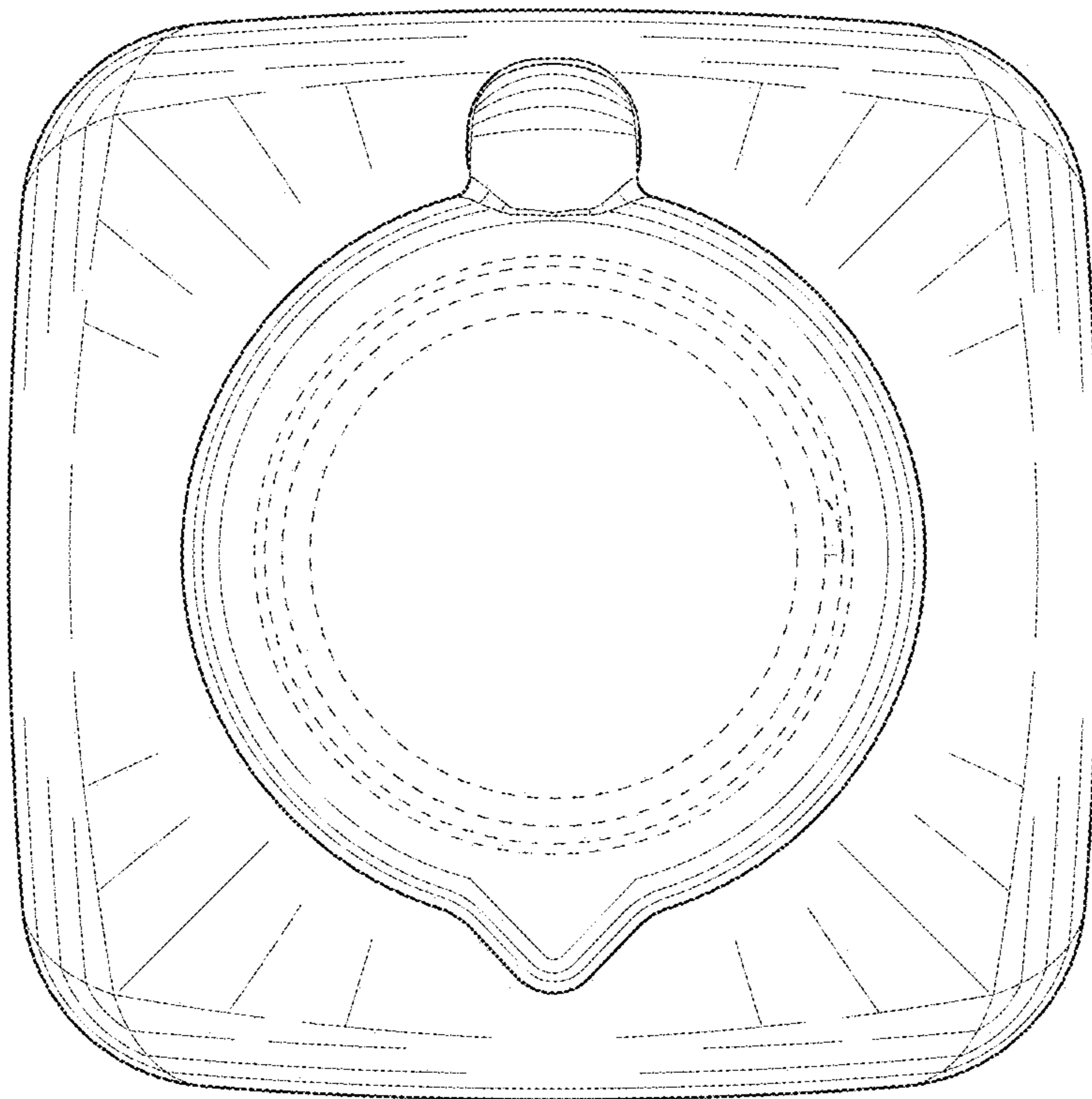


FIG.6

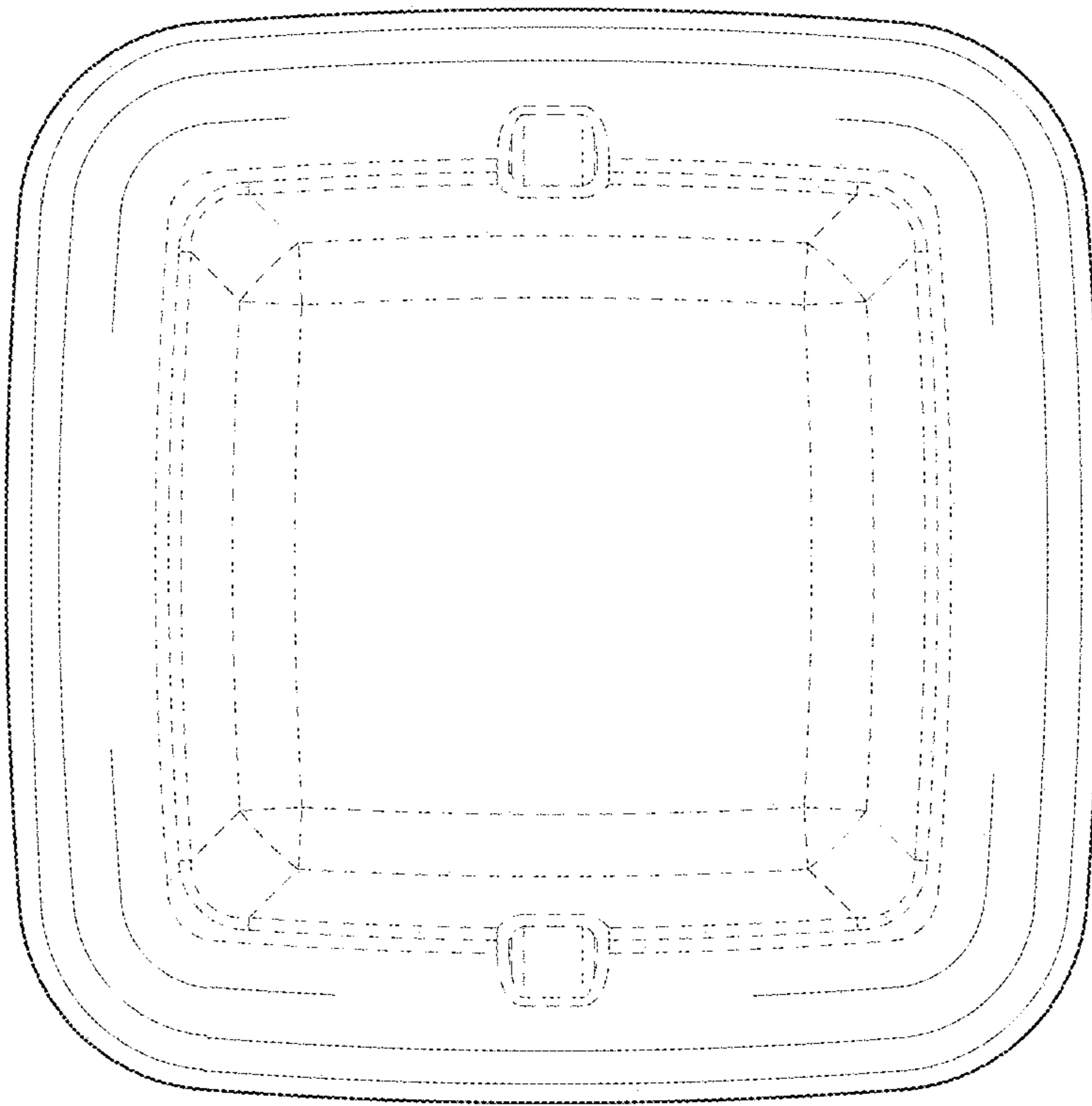


FIG. 7