



US00D888566S

(12) **United States Design Patent**
Thibault

(10) **Patent No.:** **US D888,566 S**

(45) **Date of Patent:** **** Jun. 30, 2020**

(54) **CONTAINER**

(71) Applicant: **LES ÉQUIPEMENTS
D'ÉRABLIÈRE C.D.L. INC.,
Saint-Lazare-de-Bellechasse (CA)**

(72) Inventor: **Maxim Thibault,
Saint-Damien-de-Buckland (CA)**

(73) Assignee: **LES ÉQUIPEMENTS
D'ÉRABLIÈRE C.D.L. INC.,
Saint-Lazare de Bellechasse (CA)**

(**) Term: **15 Years**

(21) Appl. No.: **29/729,723**

(22) Filed: **Mar. 30, 2020**

Related U.S. Application Data

(62) Division of application No. 29/659,792, filed on Aug. 13, 2018.

(51) **LOC (12) Cl.** **09-01**

(52) **U.S. Cl.**
USPC **D9/531; D9/560; D9/571; D7/316**

(58) **Field of Classification Search**
USPC D9/434, 516, 528, 530-531, 536, 541,
D9/543, 560, 563, 570-571, 575, 715,
D9/719; D7/316-319, 598
CPC B65D 1/00; B65D 1/02; B65D 1/0223;
B65D 1/0261; B65D 1/0284; B65D 1/44;
B65D 23/00; B65D 23/10; B65D 23/102;
B65D 2501/00; B65D 2501/0009; B65D
2501/081

See application file for complete search history.

(56) **References Cited**

U.S. PATENT DOCUMENTS

D76,990 S * 11/1928 Curran D9/523
D121,948 S * 8/1940 Brooks D7/317

D196,001 S * 8/1963 Zaleski D9/536
D201,580 S * 7/1965 Dike D9/560
D202,661 S * 10/1965 Marchant D9/536
D203,416 S * 1/1966 Ammondson D9/531
D204,499 S * 4/1966 Ferar D9/531
D214,552 S * 7/1969 Hills D9/536
D215,411 S * 9/1969 Anderson D9/536
D232,077 S * 7/1974 Strand D9/536
D307,551 S * 5/1990 Platte, Sr. D9/531
D456,272 S * 4/2002 Sadeghi D9/560
D502,106 S * 2/2005 Roseberg D9/528
D508,408 S * 8/2005 Roseberg D9/528
D676,329 S * 2/2013 Yourist D9/541
D837,655 S * 1/2019 Moliner D9/531
D846,991 S * 4/2019 Moliner D9/536

* cited by examiner

Primary Examiner — Dana Meyrow

(74) *Attorney, Agent, or Firm* — Fasken Martineau
DuMoulin LLP

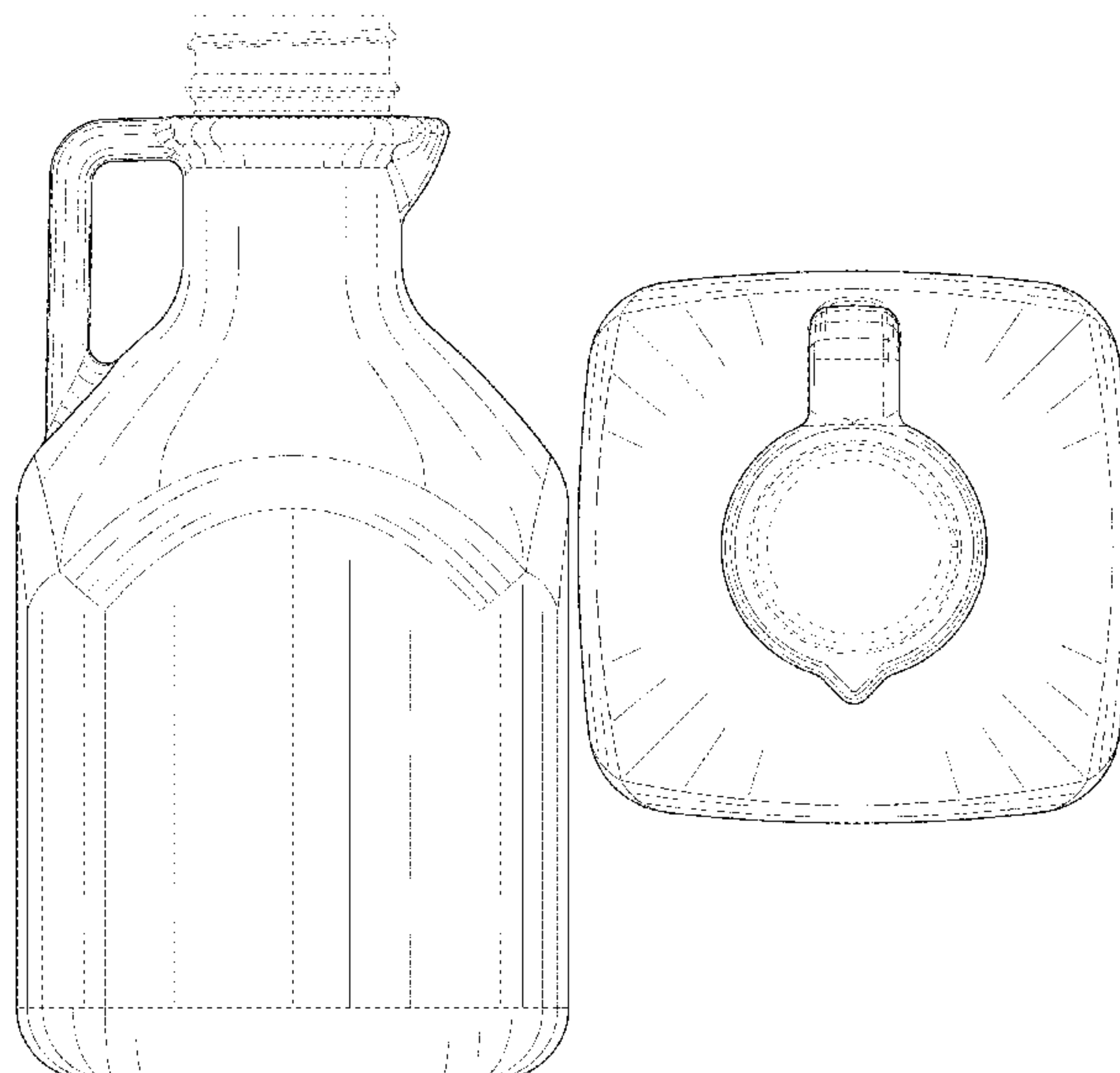
(57) **CLAIM**

The ornamental design for a container, as shown and described.

DESCRIPTION

FIG. 1 is a front perspective view of a container;
FIG. 2 is a rear perspective view thereof;
FIG. 3 is a front view thereof;
FIG. 4 is a rear view thereof;
FIG. 5 is a left view thereof;
FIG. 6 is a right view thereof;
FIG. 7 is a top view thereof; and,
FIG. 8 is a bottom view thereof.
The broken lines in the drawings illustrate the portions of the container that form no part of the claimed design.

1 Claim, 8 Drawing Sheets



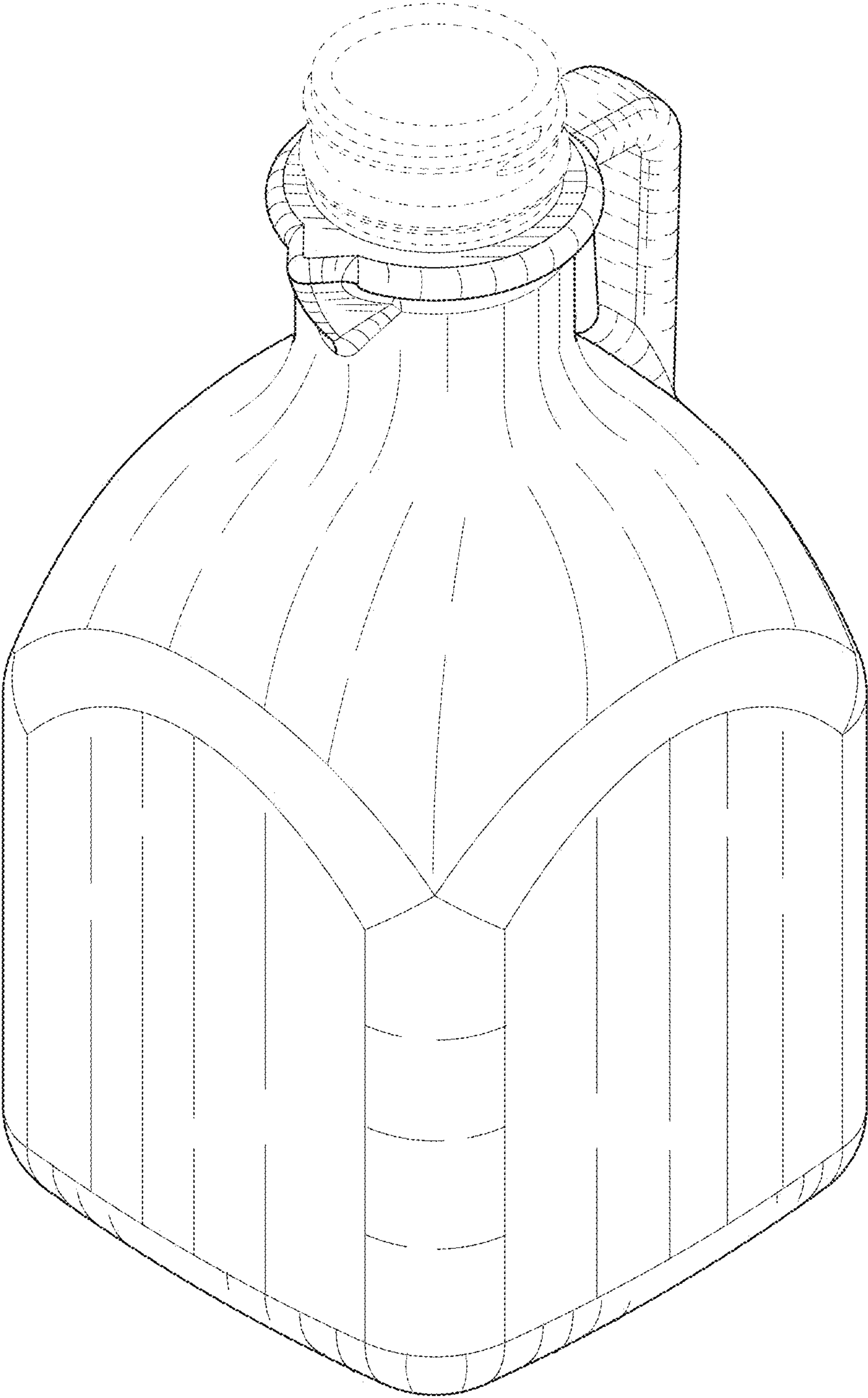


FIG. 1

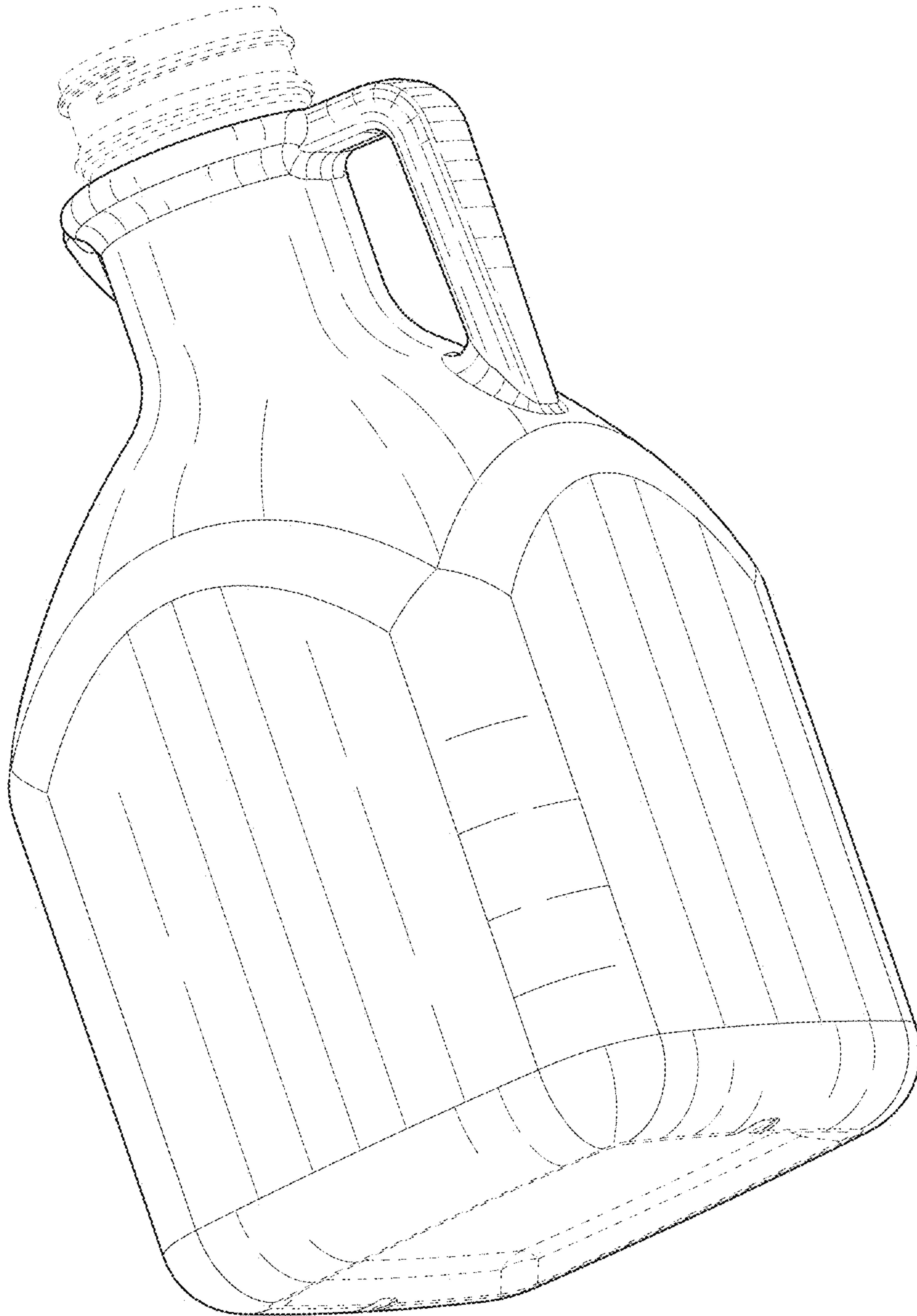


FIG. 2

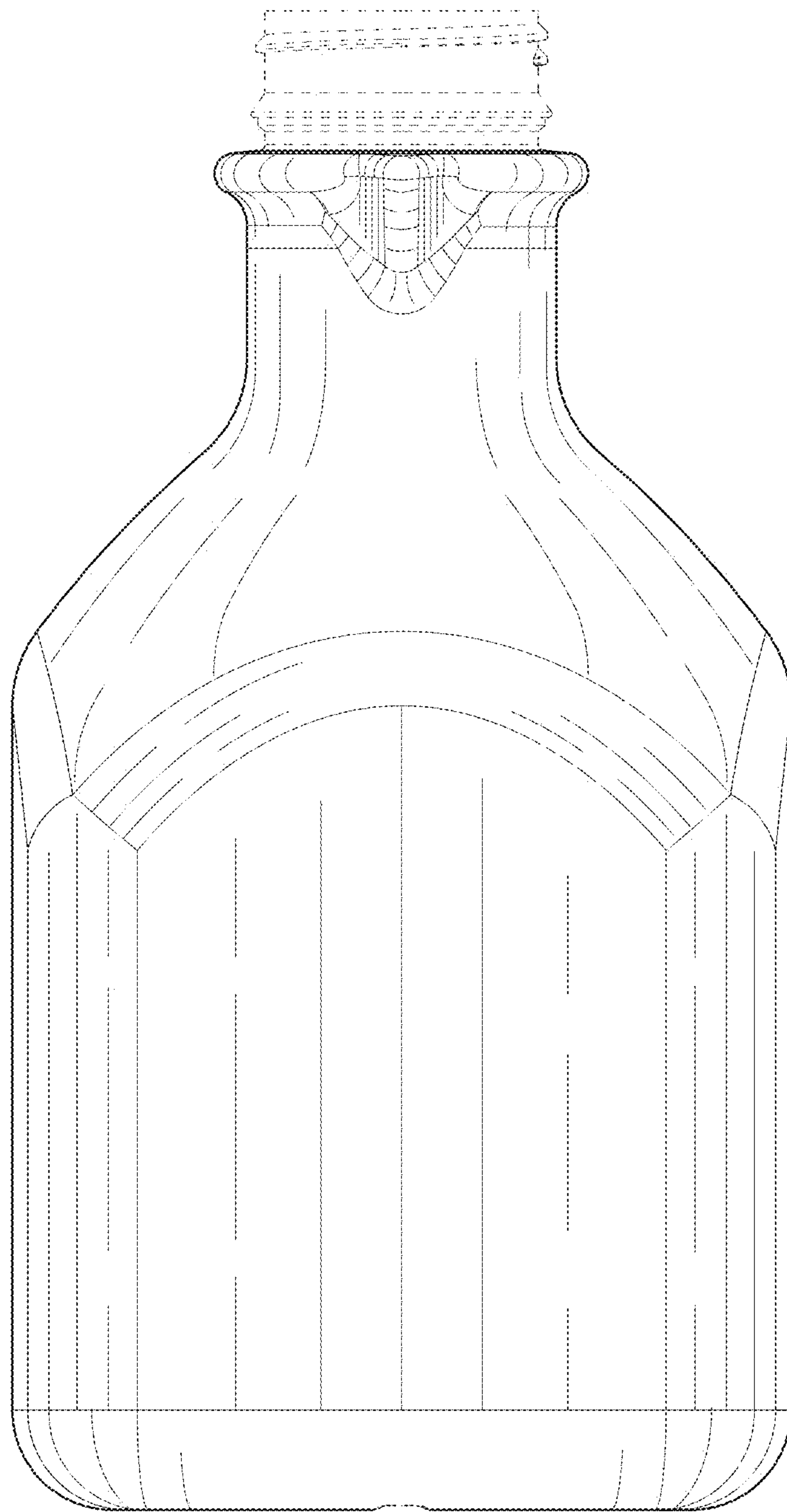


FIG.3

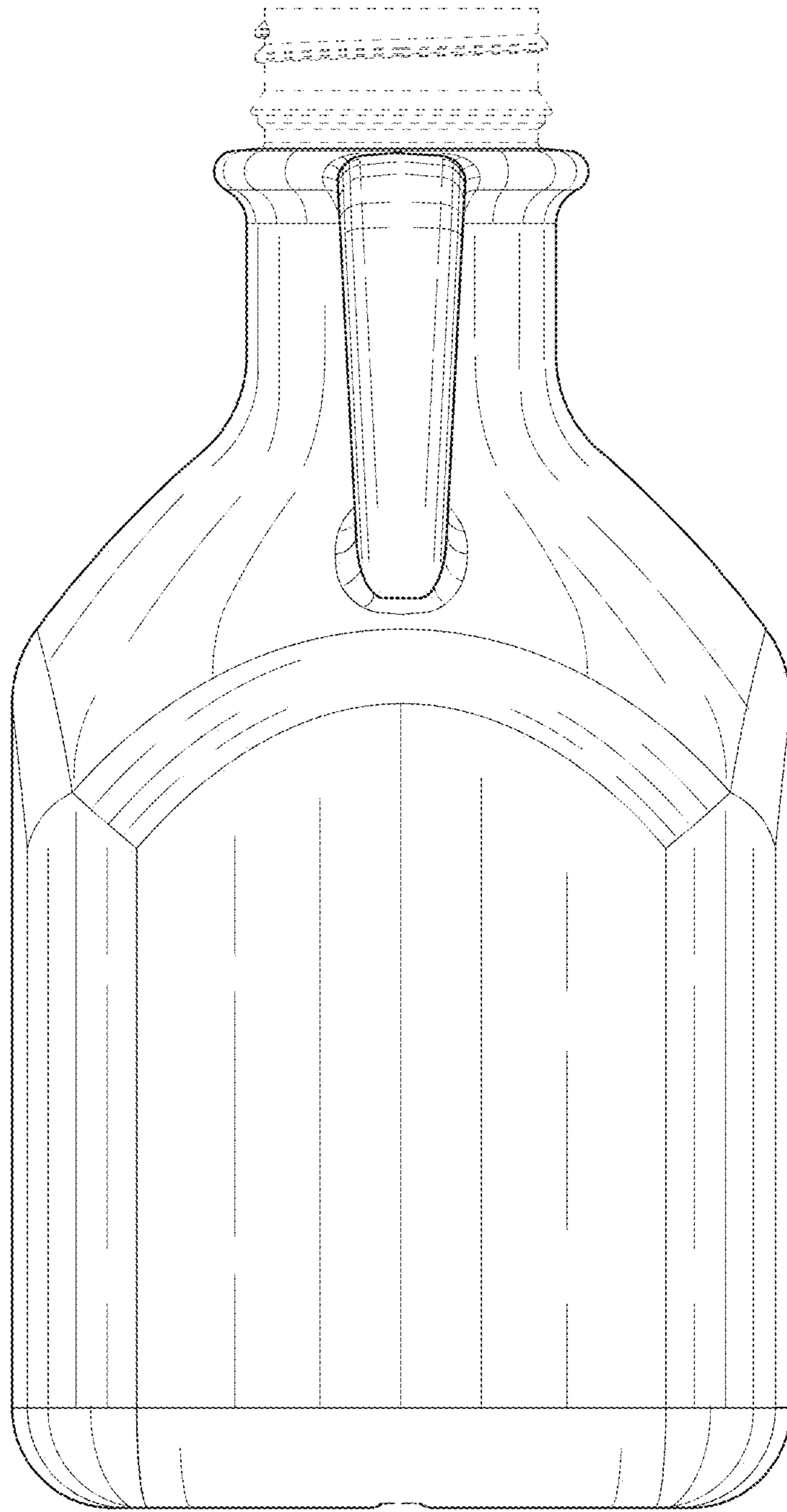


FIG. 4

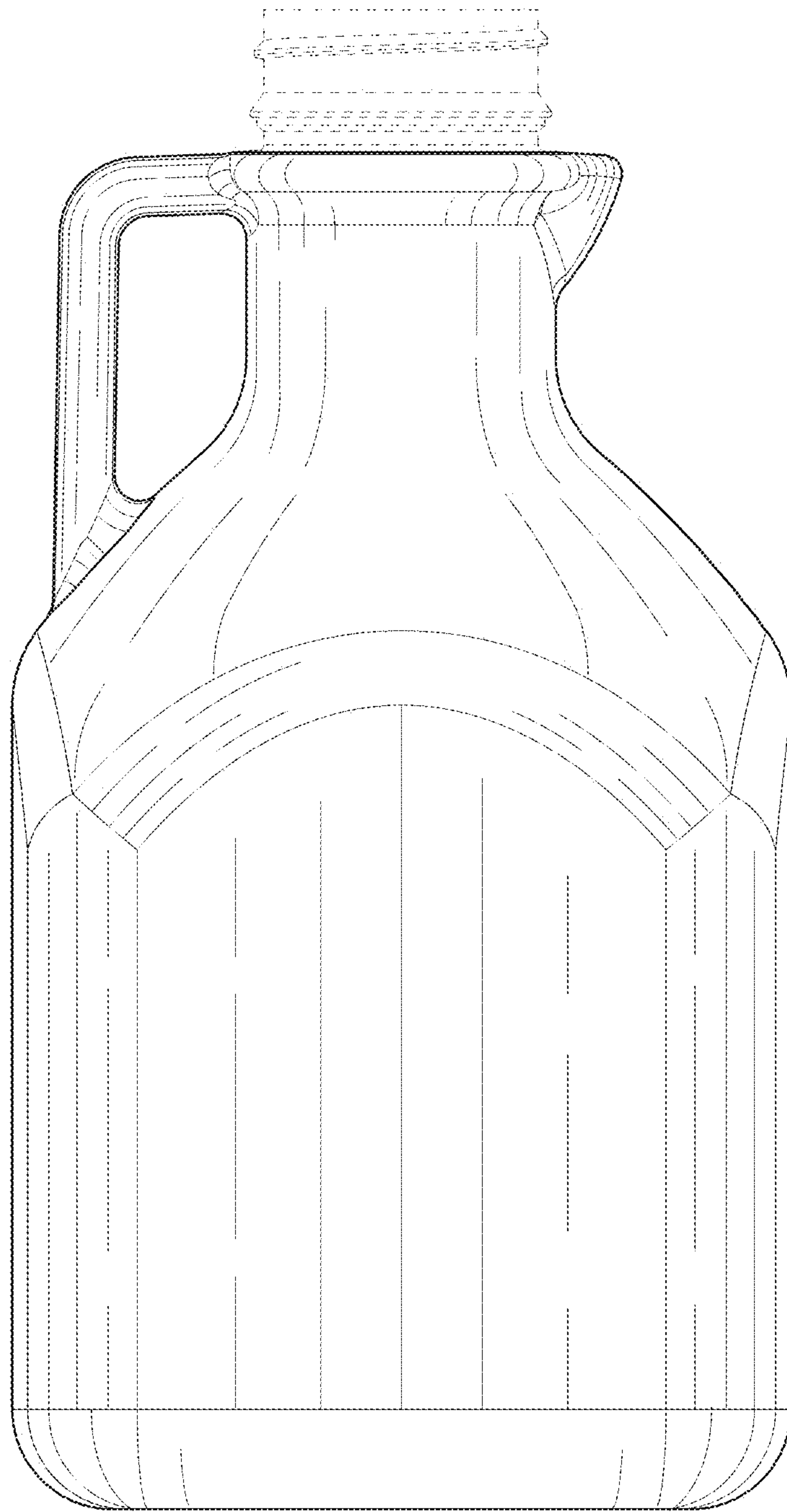


FIG. 5

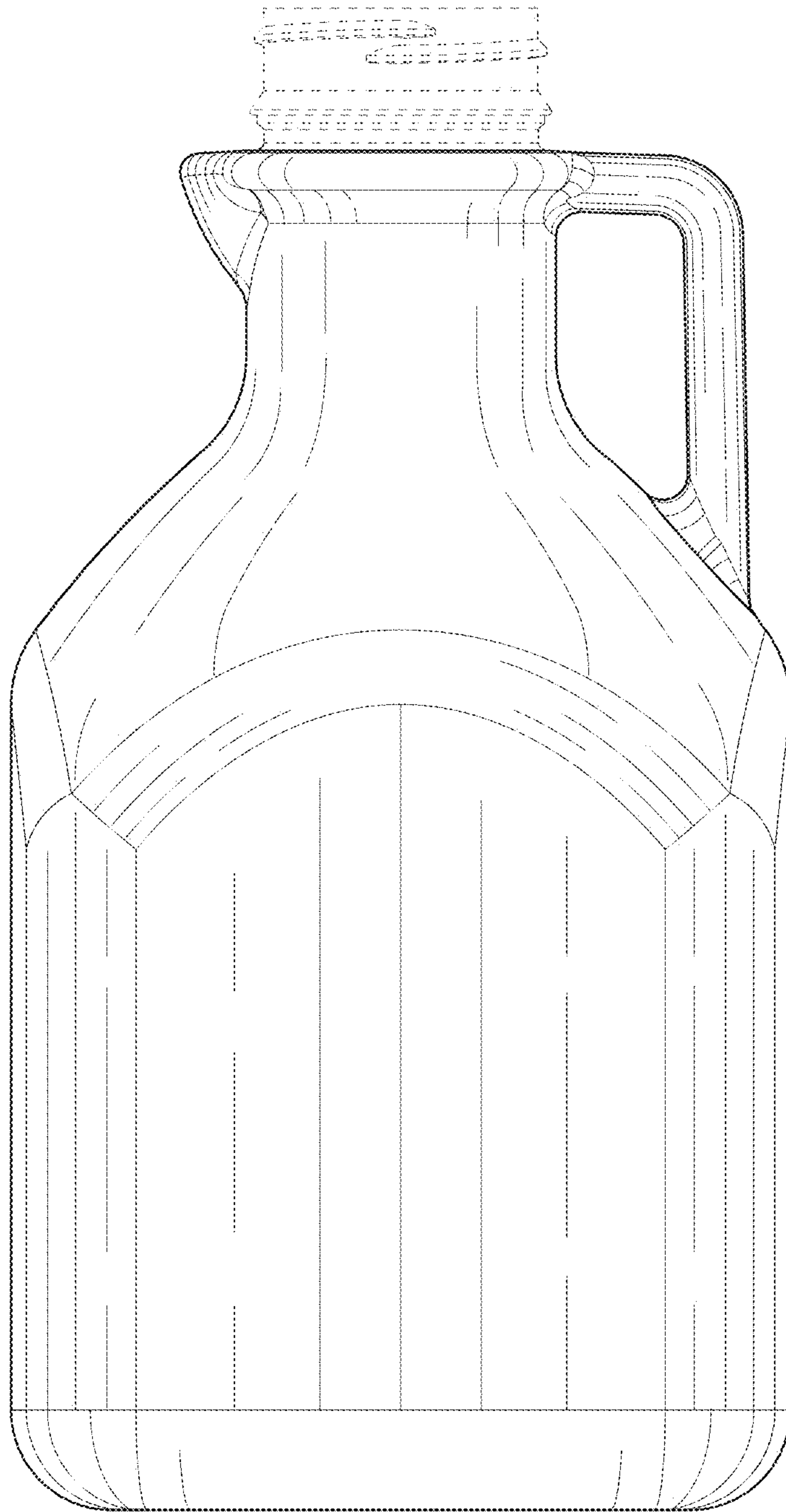


FIG. 6

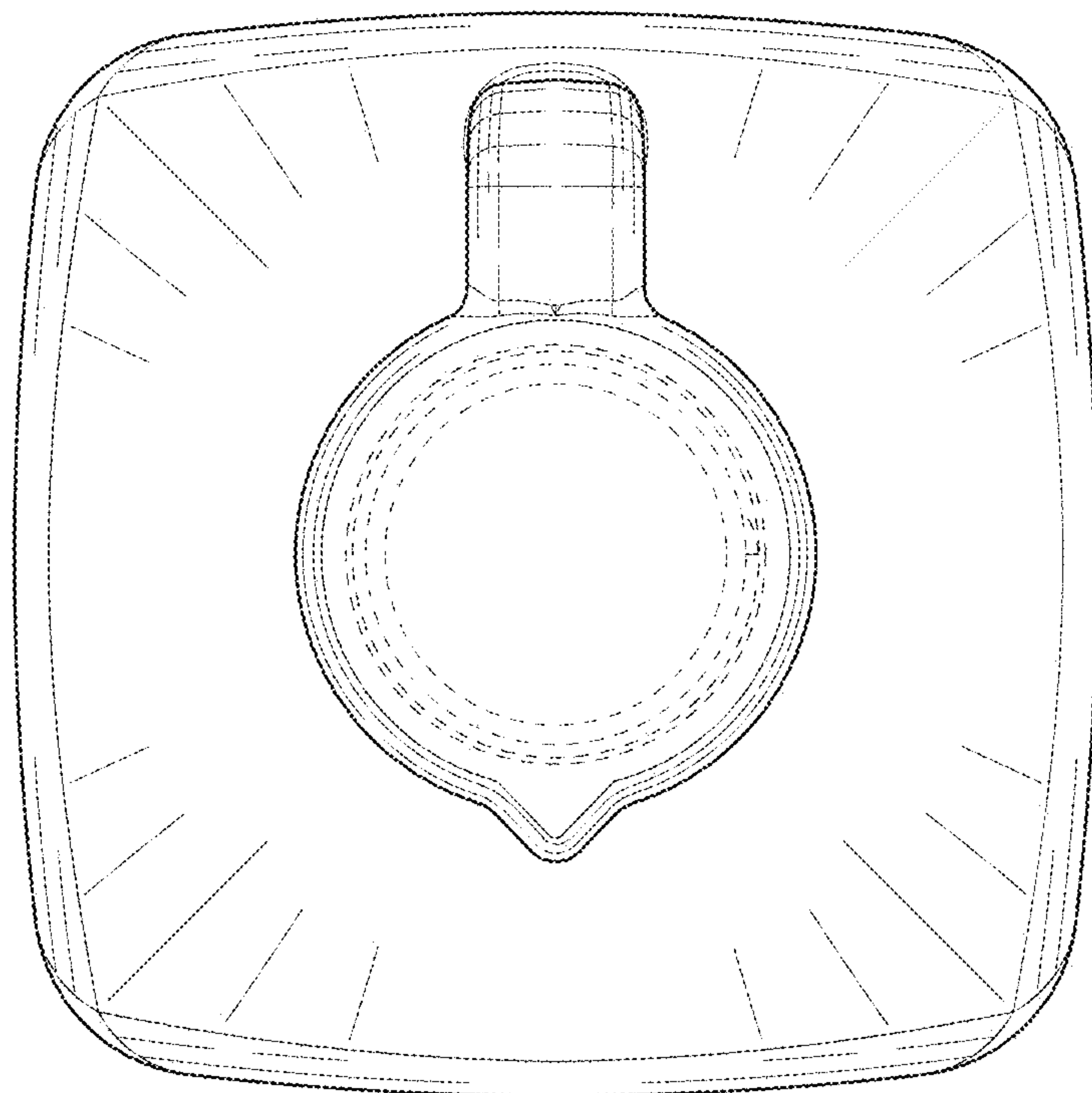


FIG.7

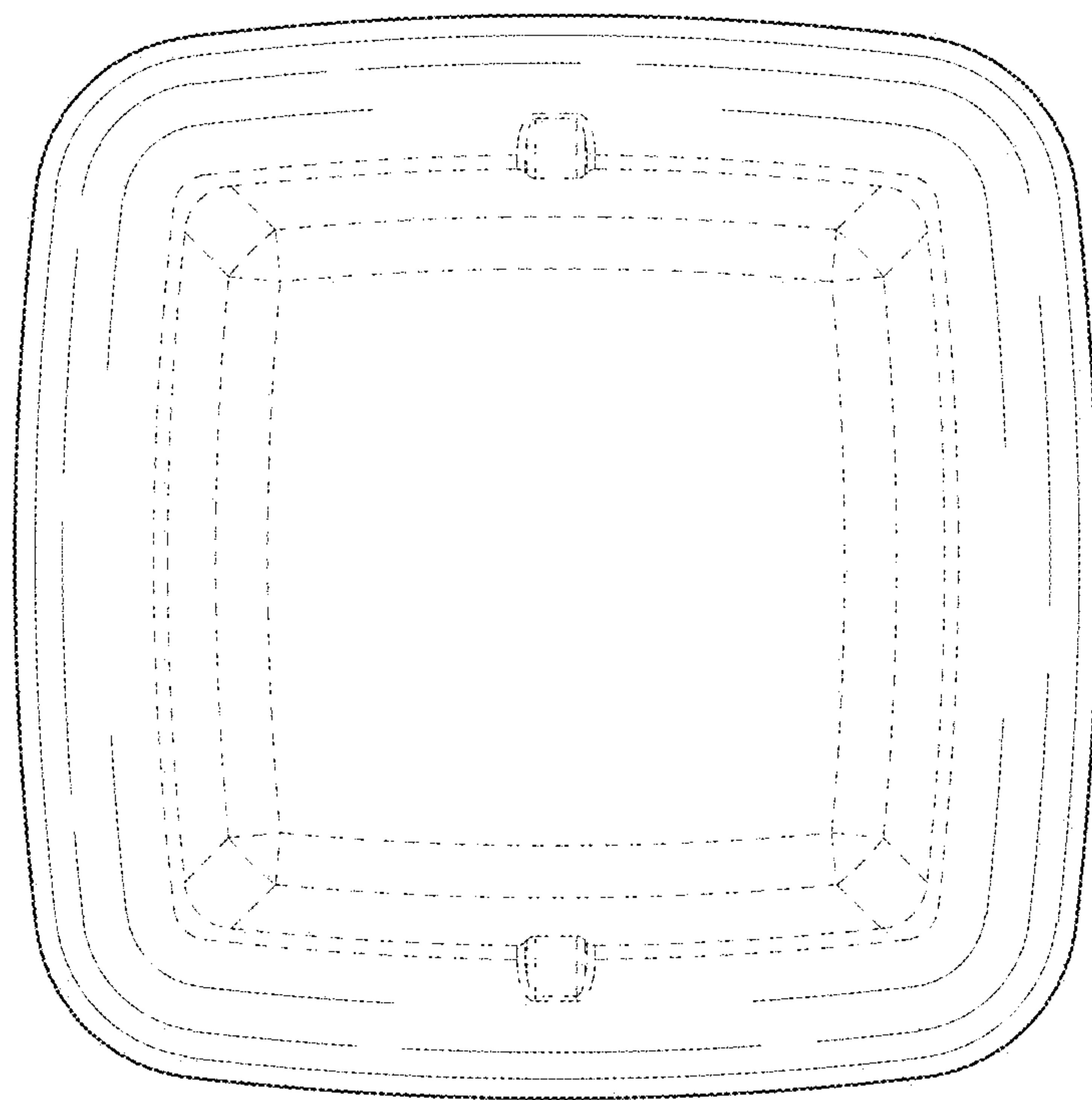


FIG. 8