



US00D888564S

(12) **United States Design Patent**
Smith et al.

(10) **Patent No.:** **US D888,564 S**
(45) **Date of Patent:** **** Jun. 30, 2020**

(54) **CONTAINER**

(71) Applicant: **Owens-Brockway Glass Container Inc., Perrysburg, OH (US)**

(72) Inventors: **Taylor Smith, Findlay, OH (US); Douglas Laib, Perrysburg, OH (US); Raul Paredes, Perrysburg, OH (US); Sara Kollig, Perrysburg, OH (US); Paul Harris, Toledo, OH (US)**

(73) Assignee: **Owens-Brockway Glass Container Inc., Perrysburg, OH (US)**

(**) Term: **15 Years**

(21) Appl. No.: **29/708,794**

(22) Filed: **Oct. 9, 2019**

(51) **LOC (12) Cl.** **09-01**

(52) **U.S. Cl.**
USPC **D9/500**

(58) **Field of Classification Search**
USPC D9/434, 500, 502-505, 516, 530, 537, D9/539, 545, 549, 558, 715, 719, D9/763-764, 772, 776-780
CPC B65D 1/00; B65D 1/02; B65D 1/0223; B65D 23/00; B65D 81/00; B65D 2501/00; B65D 2501/0009
See application file for complete search history.

(56) **References Cited**

U.S. PATENT DOCUMENTS

- D56,029 S 8/1920 Quigg
- D69,920 S 4/1926 Swartz
- D179,507 S 1/1957 Barbiers
- 3,185,353 A 5/1965 Mercier
- D208,504 S 9/1967 Trombley
- 3,536,500 A 10/1970 Cleereman
- 3,537,498 A 11/1970 St. Amand
- D228,879 S * 10/1973 Plummer D9/500

- D237,944 S * 12/1975 Taylor et al. D9/500
- D241,714 S * 10/1976 Plummer D9/500
- 4,187,276 A 2/1980 Amberg
- 4,274,563 A 6/1981 Otterson
- 5,261,543 A 11/1993 Ugarelli
- 5,385,250 A 1/1995 Pasquale
- D359,654 S * 6/1995 Westgerdes D7/510
- D381,271 S 7/1997 Paoloski
- D385,796 S 11/1997 Richardson
- 5,732,838 A 3/1998 Young

(Continued)

FOREIGN PATENT DOCUMENTS

- AU 120542 9/1993
- JP 2004001847 A 1/2004

(Continued)

Primary Examiner — Dana Meyrow

(57) **CLAIM**

We claim the ornamental design for the container, as shown and described.

DESCRIPTION

FIG. 1 is an upper perspective view of a container in accordance with our new claimed design.

FIG. 2 is a front elevational view of the container in FIG. 1, the left, right, and rear elevational views being substantially the same as the front elevational view;

FIG. 3 is a top view of the container in FIG. 1; and,

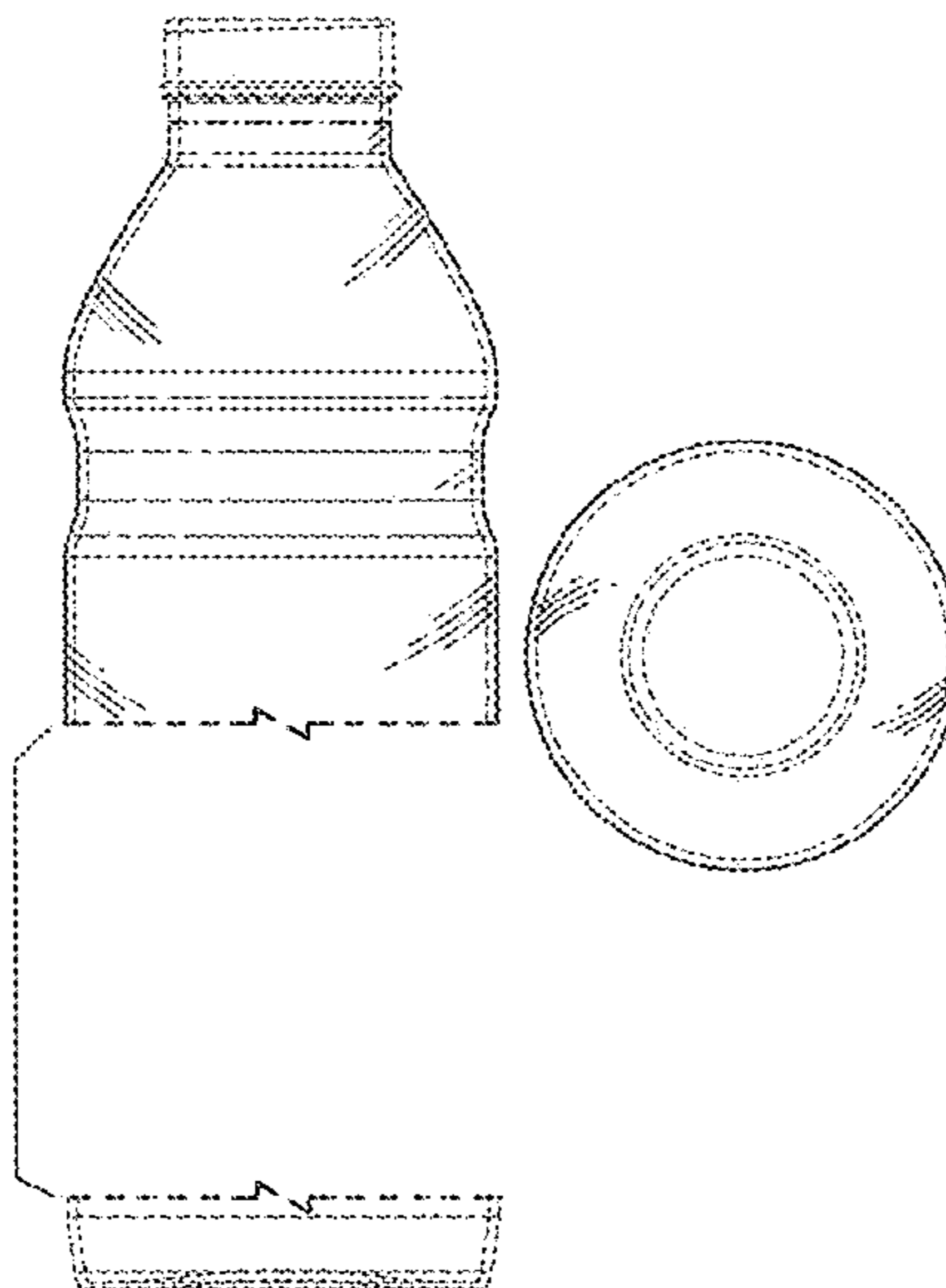
FIG. 4 is a bottom view of the container in FIG. 1.

Dash-dash broken lines shown in the drawings illustrate portions of the container that form no part of the claimed design.

Dash-dot broken lines shown in the drawings represent boundaries of the claimed design and form no part of the claimed design.

Dash-dot break lines that separate portions of the container, and a space and a bracket between the break lines, form no part of the claimed design.

1 Claim, 1 Drawing Sheet



(56)

References Cited

U.S. PATENT DOCUMENTS

5,803,290 A 9/1998 Bongiorno
 D404,310 S 1/1999 Martin
 D412,845 S 8/1999 Miller et al.
 D415,428 S * 10/1999 Keller D9/503
 D420,594 S 2/2000 Weinstein et al.
 D427,067 S 6/2000 Miller et al.
 D427,909 S * 7/2000 Doritty D9/500
 D432,018 S 10/2000 Steward
 D438,107 S * 2/2001 Bretz D9/434
 6,213,326 B1 4/2001 Denner et al.
 D445,031 S * 7/2001 Bretz D9/502
 D445,680 S * 7/2001 Bretz D9/434
 6,273,282 B1 8/2001 Ogg et al.
 D450,246 S 11/2001 Heisel et al.
 D457,055 S * 5/2002 Ranchetti D9/557
 D473,469 S 4/2003 Claessen
 6,564,959 B2 5/2003 Saito et al.
 6,575,321 B2 6/2003 Bourque et al.
 D477,226 S * 7/2003 Chirico D9/503
 6,616,001 B2 9/2003 Saito et al.
 D480,310 S 10/2003 Yourist
 D482,620 S 11/2003 Kleckauskas et al.
 6,640,990 B2 11/2003 Saito et al.
 D484,809 S 1/2004 Pascuzzo
 6,695,162 B1 2/2004 Boukobza et al.
 D491,808 S 6/2004 Lane et al.
 D491,812 S 6/2004 Eberle et al.
 6,749,075 B2 6/2004 Bourque et al.
 D497,796 S 11/2004 Bretz et al.
 6,841,262 B1 1/2005 Beck et al.
 D502,100 S * 2/2005 Bretz D9/500
 D512,312 S * 12/2005 Bretz D9/500
 7,004,342 B2 2/2006 Bourque et al.

D533,455 S 12/2006 Leck et al.
 D545,199 S * 6/2007 MacLean D9/517
 7,228,981 B2 6/2007 Chisholm
 7,350,658 B2 4/2008 Bourque et al.
 D584,626 S 1/2009 Kruparova
 D587,135 S * 2/2009 Durbin D9/503
 7,556,164 B2 7/2009 Tanaka et al.
 D604,178 S 11/2009 Bowyer et al.
 D605,517 S * 12/2009 Caldwell D9/500
 7,712,620 B2 5/2010 Nemoto et al.
 8,083,081 B2 12/2011 Coley, Jr. et al.
 8,083,082 B2 12/2011 Sasaki
 D652,723 S 1/2012 Reisig
 8,091,720 B2 1/2012 Colloud
 8,186,529 B2 5/2012 Kinmont et al.
 8,528,760 B2 9/2013 Lane et al.
 8,567,624 B2 10/2013 Coley, Jr. et al.
 8,640,900 B2 2/2014 Heisner et al.
 8,985,362 B2 3/2015 Heisner et al.
 D761,660 S 7/2016 Giles
 D807,754 S 1/2018 Fleischhacker
 9,896,254 B2 2/2018 Yourist et al.
 D814,869 S 4/2018 Karl, IV et al.
 D841,473 S 2/2019 Omdahl, II
 2007/0062907 A1 3/2007 Fleisner
 2007/0187354 A1 8/2007 Sasaki
 2007/0257003 A1 11/2007 Colloud
 2008/0110854 A1 5/2008 Kelly
 2011/0284493 A1 11/2011 Yourist et al.

FOREIGN PATENT DOCUMENTS

JP 5221501 B2 3/2013
 WO WO 2004/065249 A1 8/2004
 WO WO 2018/204979 A1 11/2018

* cited by examiner

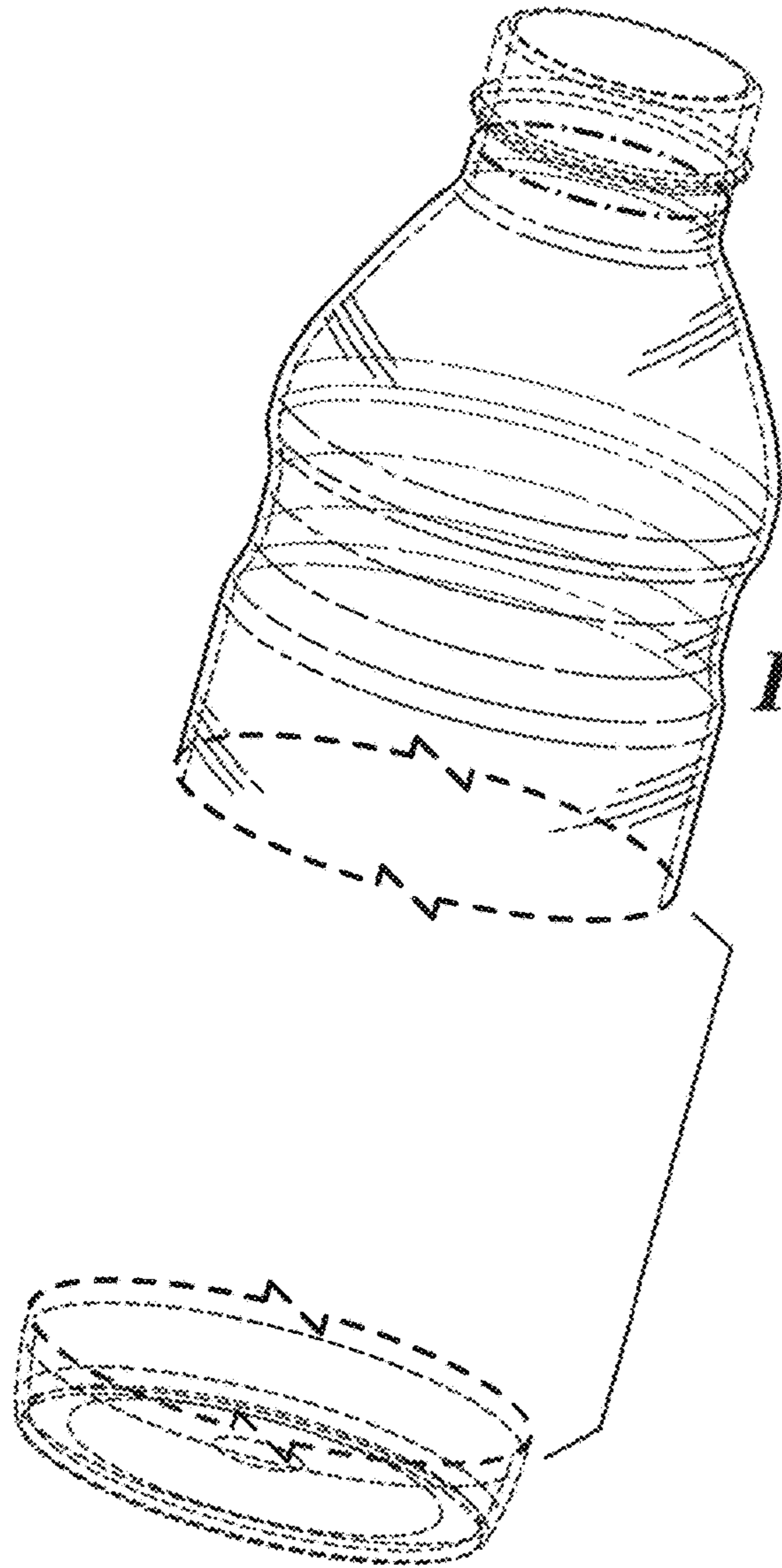


FIG. 1

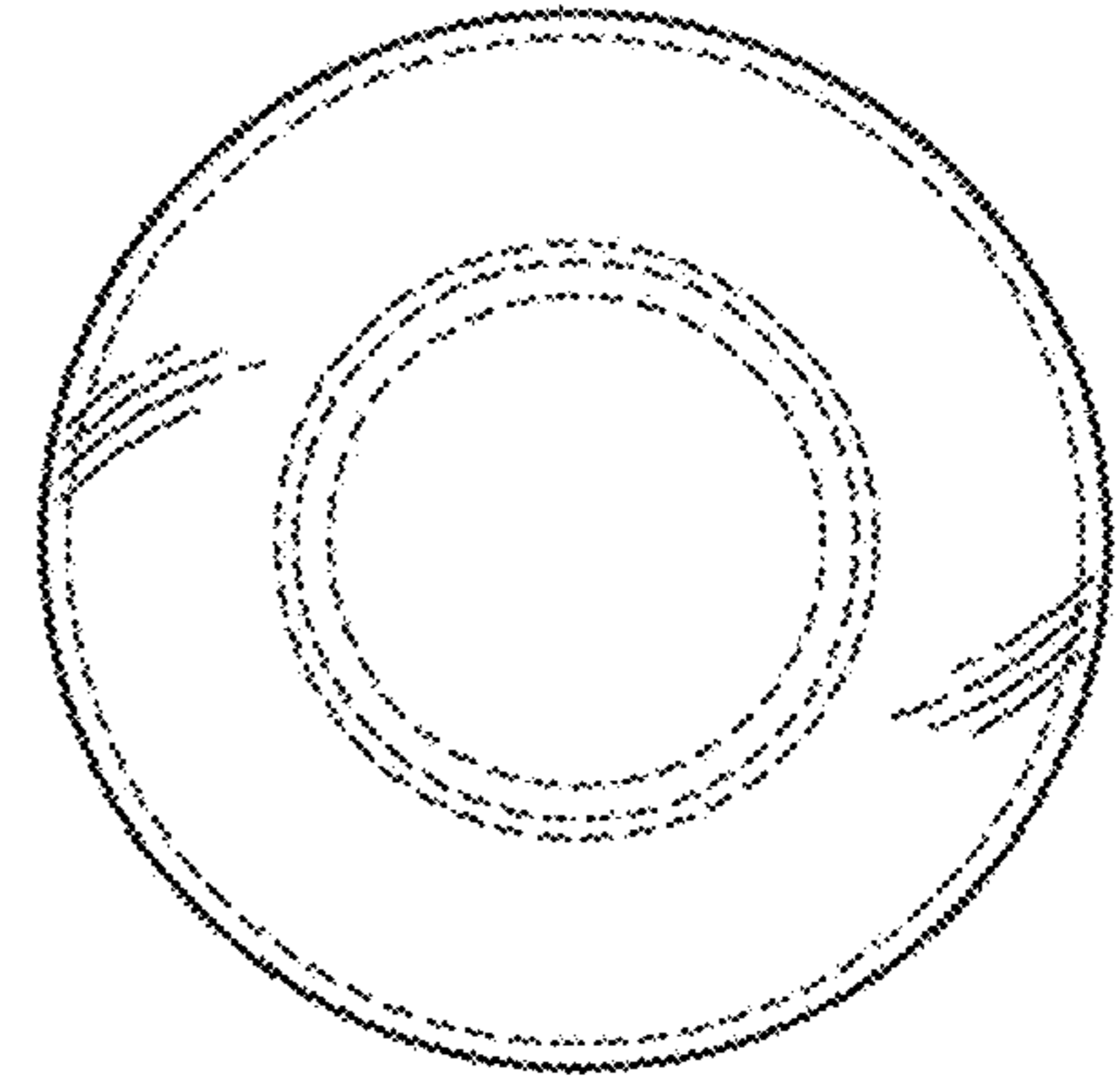


FIG. 3

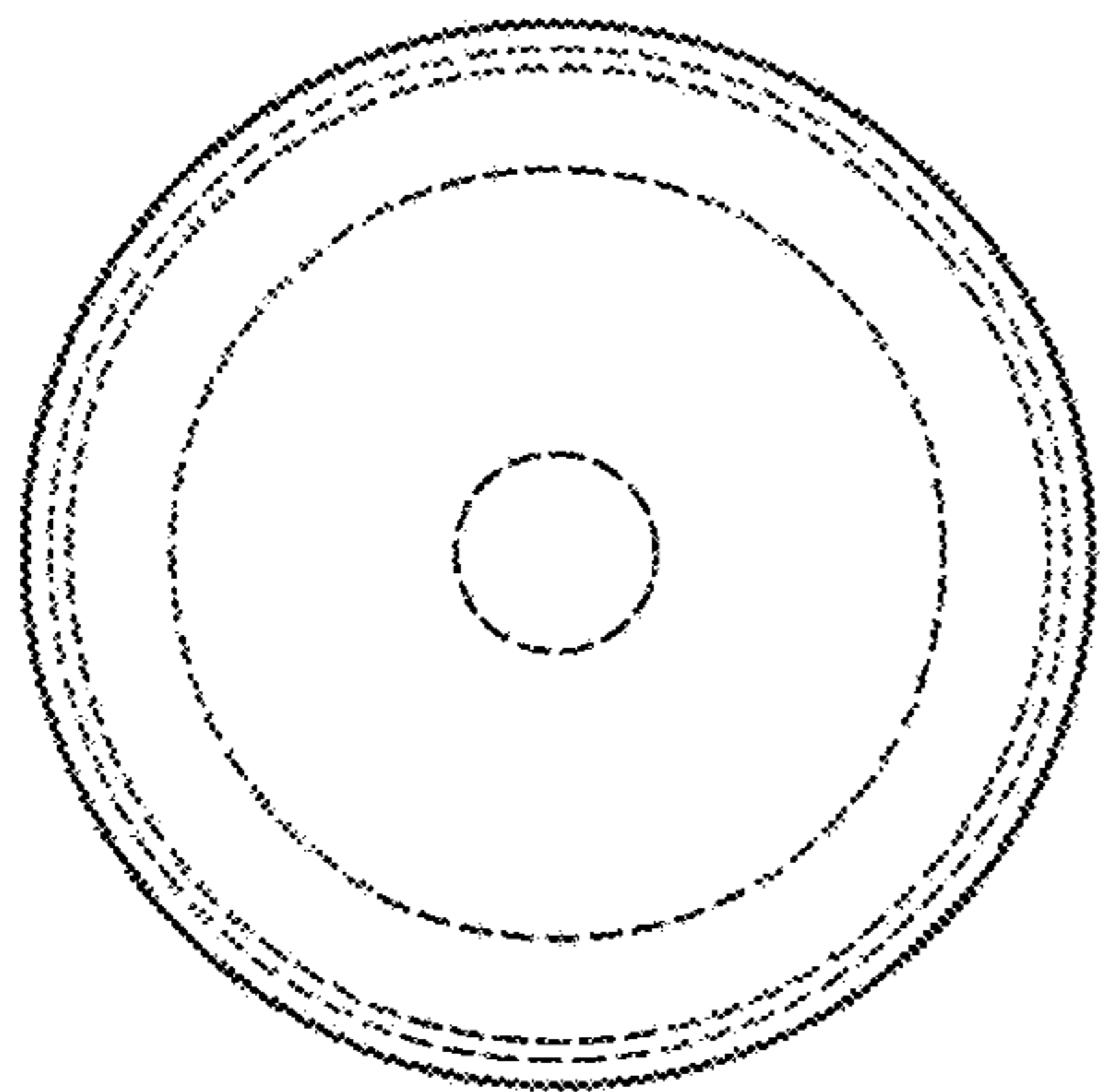
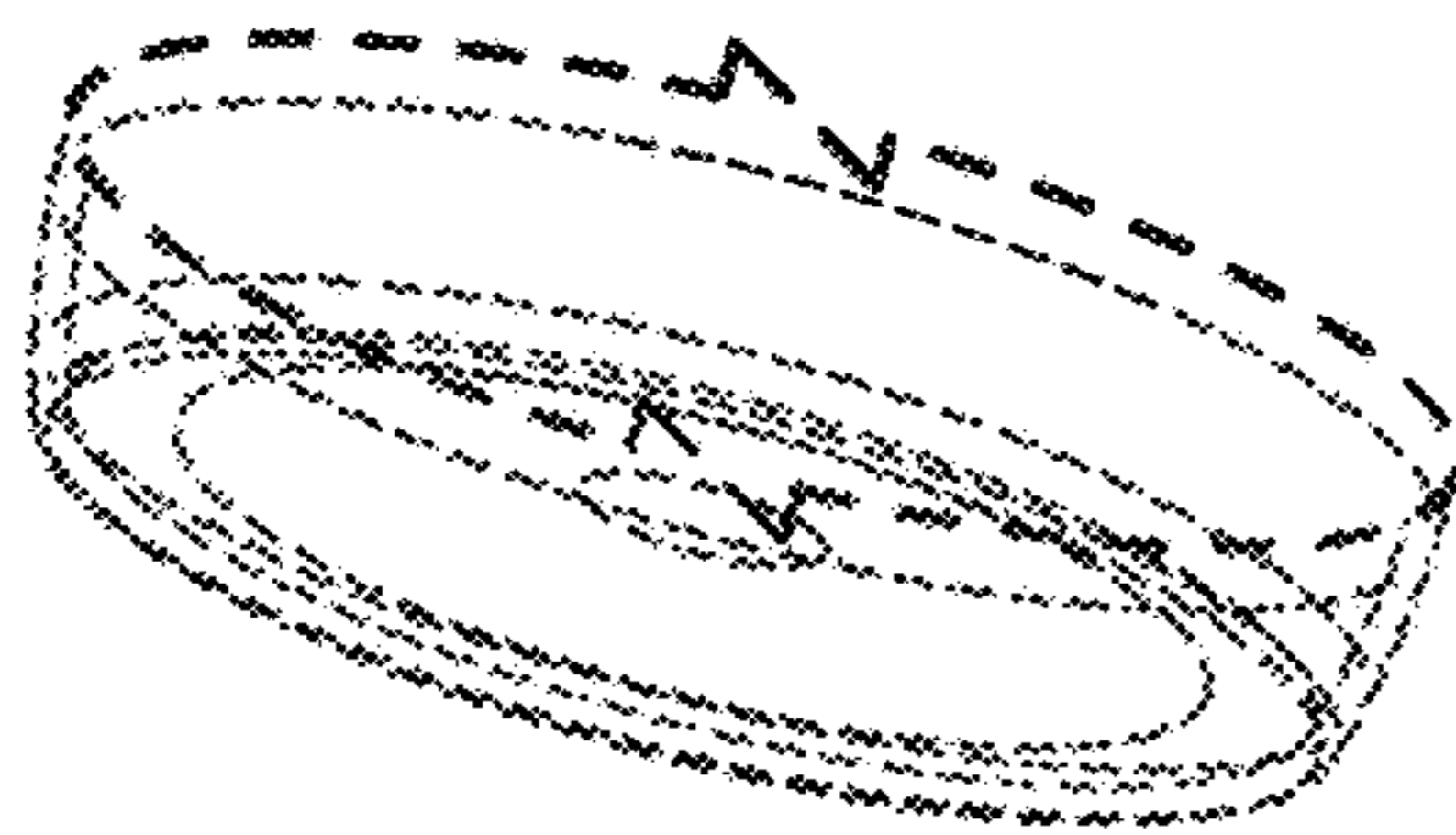


FIG. 4

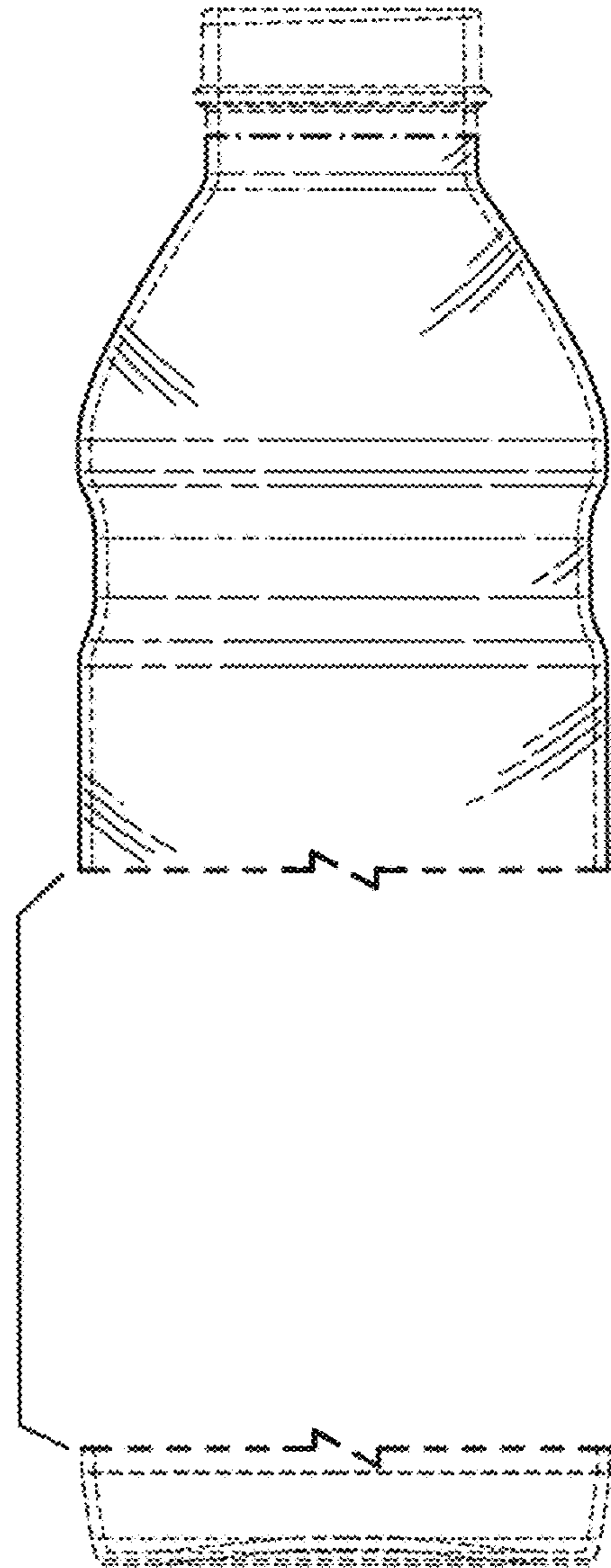


FIG. 2