



US00D888561S

(12) **United States Design Patent**
Smith

(10) **Patent No.:** **US D888,561 S**
(45) **Date of Patent:** **** Jun. 30, 2020**

- (54) **CONTAINER**
- (71) Applicant: **Owens-Brockway Glass Container Inc., Perrysburg, OH (US)**
- (72) Inventor: **Taylor Smith, Findlay, OH (US)**
- (73) Assignee: **Owens-Brockway Glass Container Inc., Perrysburg, OH (US)**

D489,619 S	5/2004	Goodell et al.	
D492,599 S	7/2004	Enoki et al.	
D521,392 S	5/2006	Christ et al.	
D564,881 S	3/2008	Chupak	
D568,747 S	5/2008	Sequeira	
D584,623 S	1/2009	Chupak	
D629,692 S	12/2010	Lauret	
D651,086 S *	12/2011	Gullickson	D9/504
D743,796 S	11/2015	Pratt et al.	
D786,620 S *	5/2017	Nickley	D7/511

(Continued)

- (**) Term: **15 Years**
- (21) Appl. No.: **29/708,785**

Primary Examiner — Dana Meyrow

- (22) Filed: **Oct. 9, 2019**
- (51) **LOC (12) Cl.** **09-01**
- (52) **U.S. Cl.**
USPC **D9/500**
- (58) **Field of Classification Search**
USPC D9/434, 500, 502–505, 516, 530, 537,
D9/539, 545, 549, 558, 715, 719,
D9/763–764, 772, 776–780; D7/509–511
CPC B65D 1/00; B65D 1/02; B65D 1/0223;
B65D 23/00; B65D 81/00; B65D
2501/00; B65D 2501/0009
See application file for complete search history.

(57) **CLAIM**

I claim the ornamental design for the container, as shown and described.

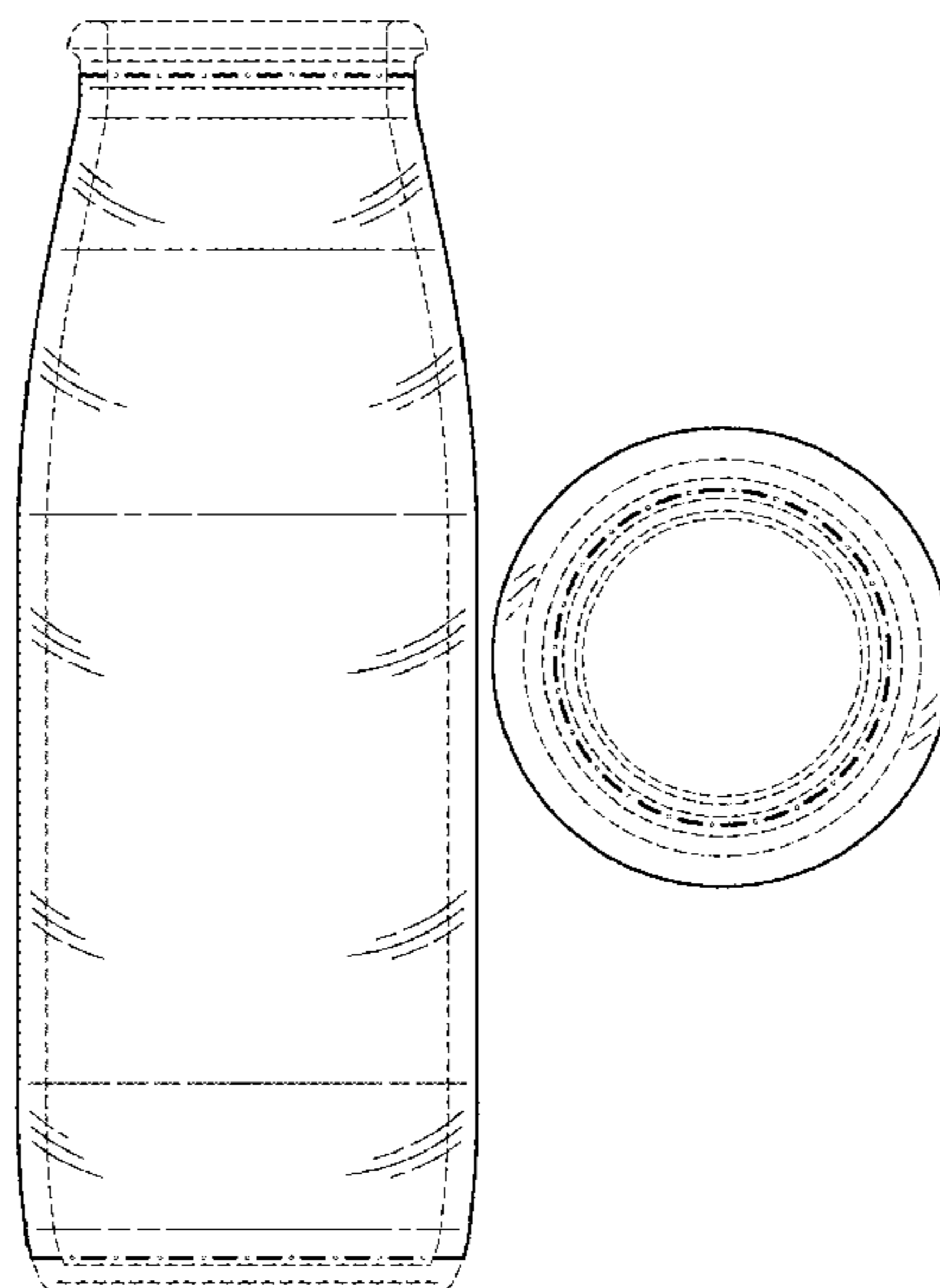
DESCRIPTION

FIG. 1 is an upper perspective view of a container in accordance with an embodiment of my new claimed design. FIG. 2 is a front elevational view of the container in FIG. 1, the left, right, and rear elevational views being substantially the same as the front elevational view. FIG. 3 is a top view of the container in FIG. 1. FIG. 4 is a bottom view of the container in FIG. 1. FIG. 5 is an upper perspective view of a container in accordance with another embodiment of my new claimed design. FIG. 6 is a front elevational view of the container in FIG. 5, the left, right, and rear elevational views being substantially the same as the front elevational view. FIG. 7 is a top view of the container in FIG. 5; and, FIG. 8 is a bottom view of the container in FIG. 5. Dash-dash broken lines shown in the drawings illustrate portions of the container that form no part of the claimed design. Dash-dot broken lines shown in the drawings represent boundaries of the claimed design and form no part of the claimed design.

(56) **References Cited**
U.S. PATENT DOCUMENTS

D26,065 S	9/1896	Jenkins	
D31,079 S	6/1899	Claude	
D32,472 S	4/1900	Leffingwell	
D35,414 S *	12/1901	Lorenz	D9/772
1,417,282 A *	5/1922	Senio	B65D 51/04 215/235
D121,192 S	6/1939	McKnight	
D217,847 S	6/1970	Jenkins	
D225,210 S	11/1972	Becker	
D226,370 S	2/1973	Cromb	
D228,625 S	10/1973	Pearce	
D232,915 S	9/1974	Becker	

1 Claim, 2 Drawing Sheets



(56)

References Cited

U.S. PATENT DOCUMENTS

D805,918 S *	12/2017	Matthieu	D9/500
D811,818 S *	3/2018	Wu	D7/510
D812,428 S *	3/2018	Wu	D7/510
D812,478 S	3/2018	Hines	
D814,241 S *	4/2018	Nickley	D7/510
D826,052 S	8/2018	Harris et al.	
D829,557 S	10/2018	Shmagin et al.	
D839,683 S	2/2019	Wong	
D845,133 S	4/2019	DeLorme	
D848,265 S	5/2019	Harris et al.	
D849,542 S	5/2019	Harris et al.	
D853,194 S *	7/2019	Ke	D7/507
D856,082 S *	8/2019	Yao	D7/507
D858,287 S	9/2019	Hines	

* cited by examiner

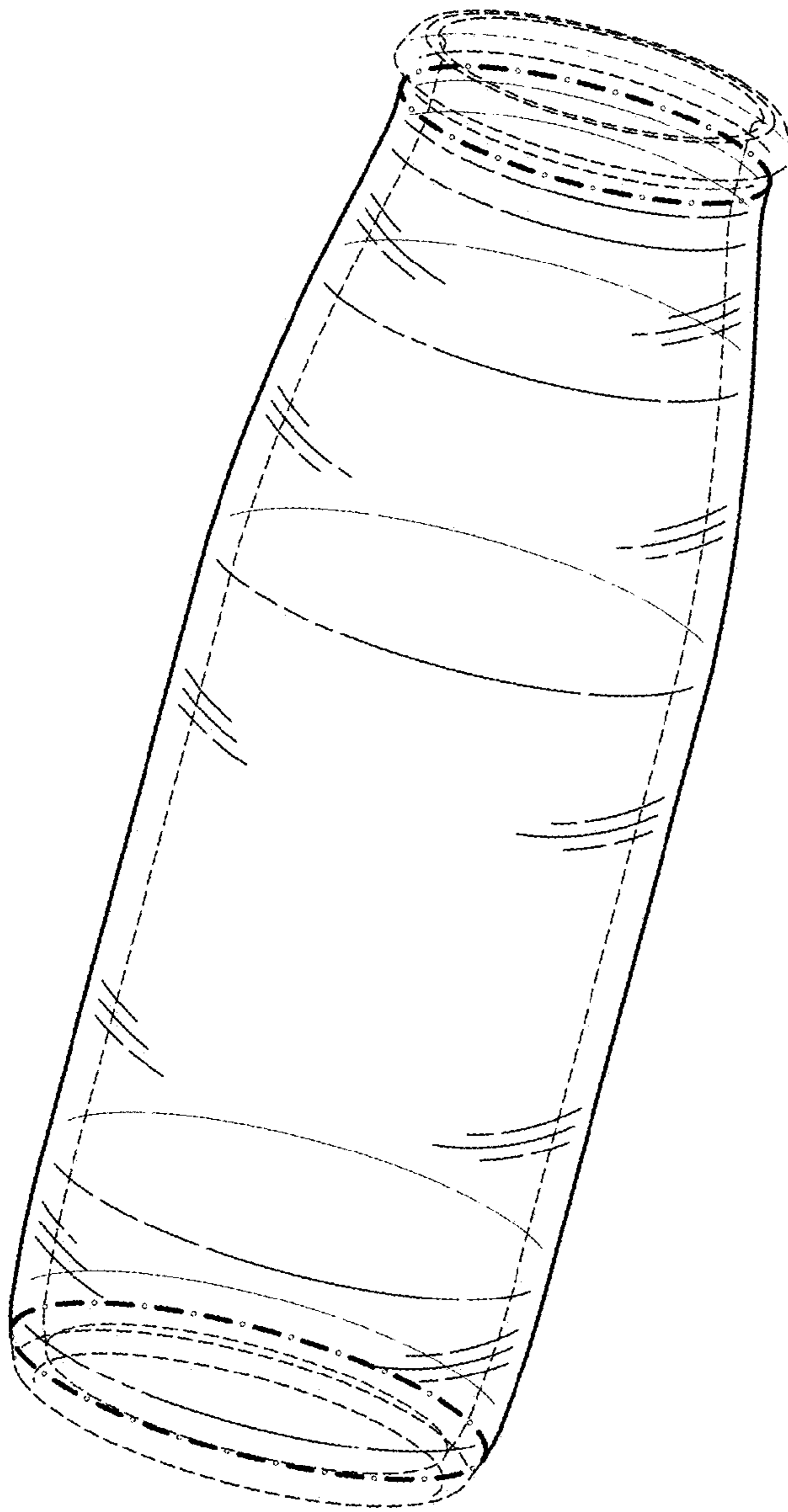


FIG. 1

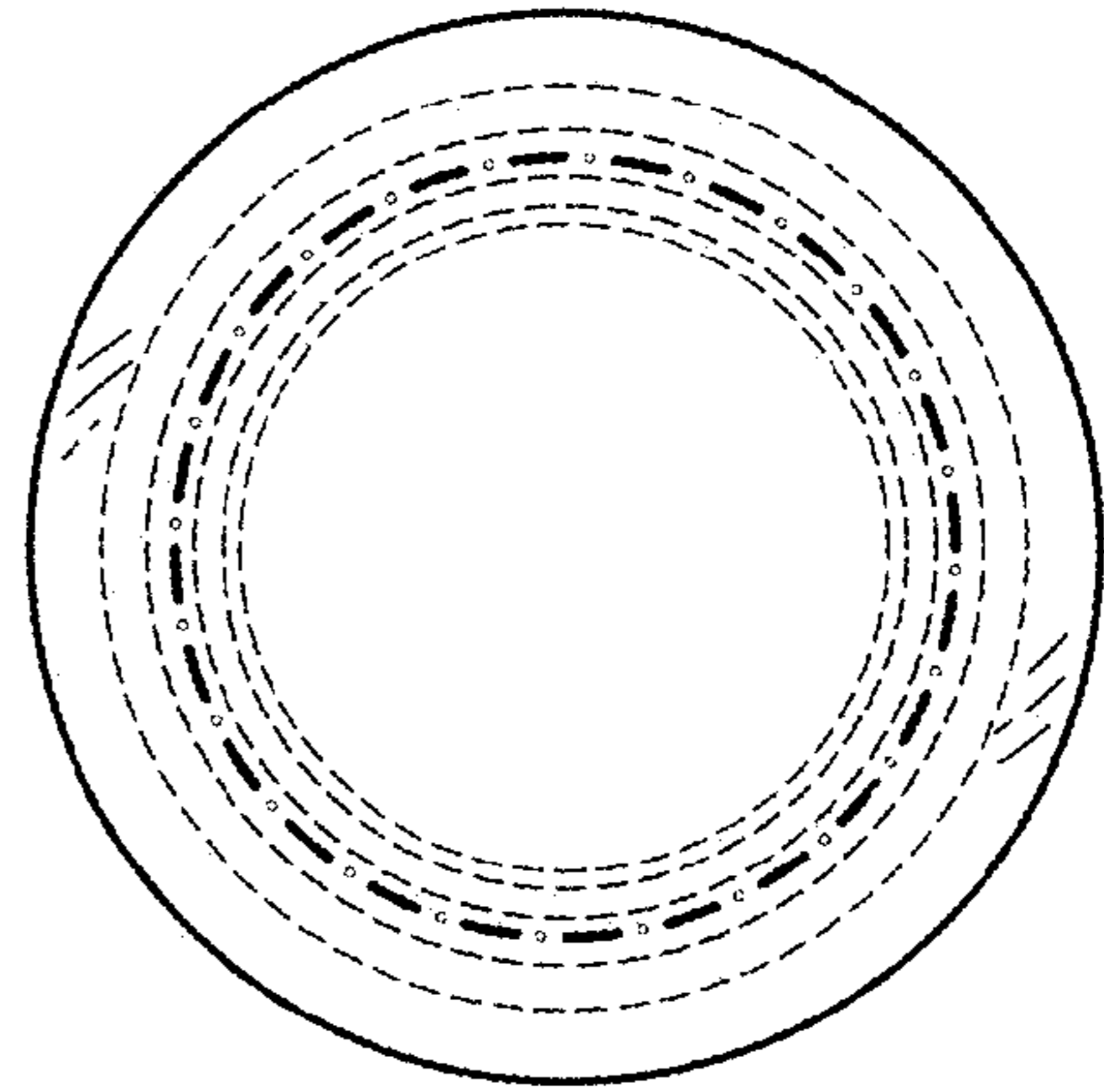


FIG. 3

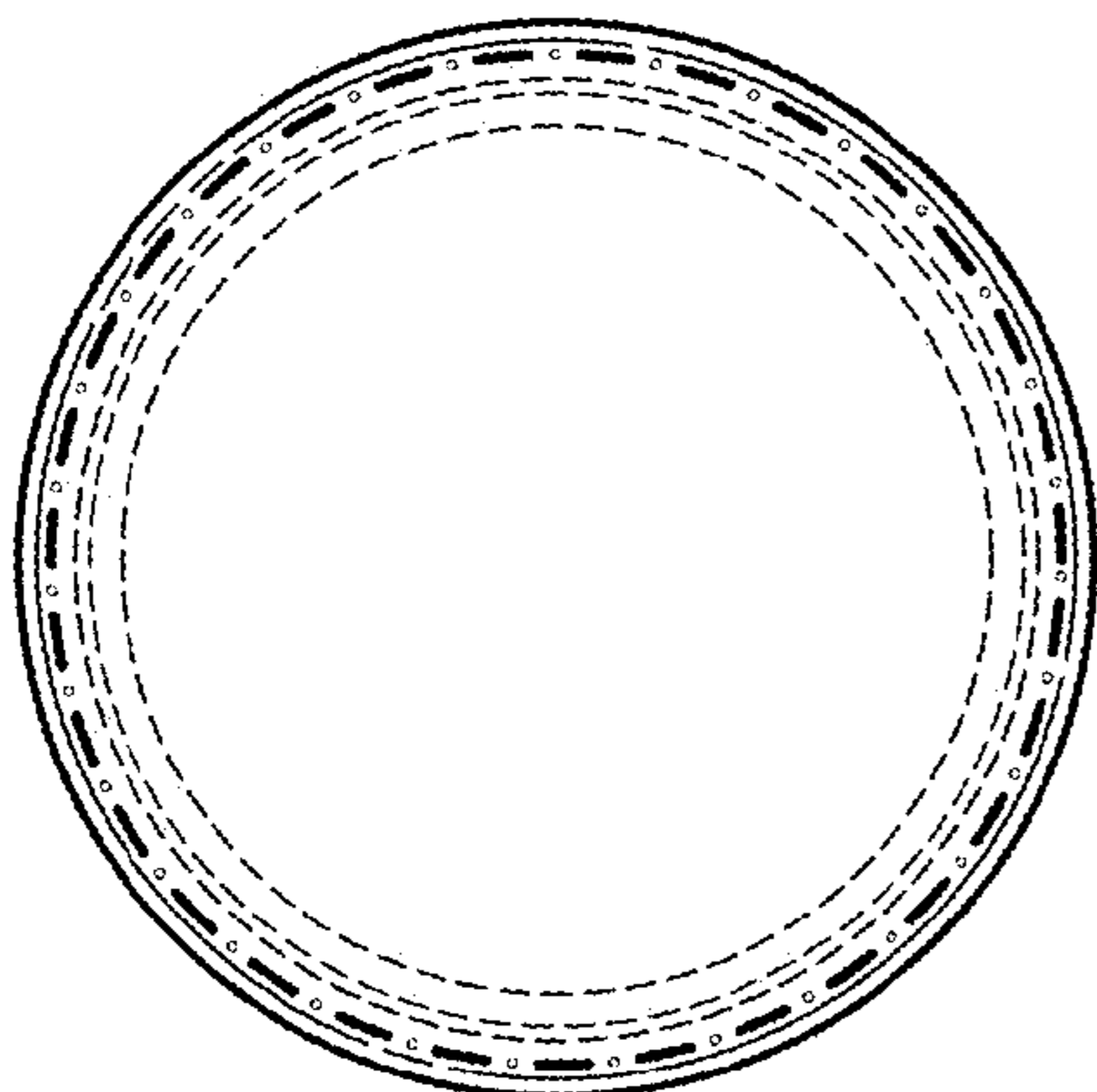


FIG. 4

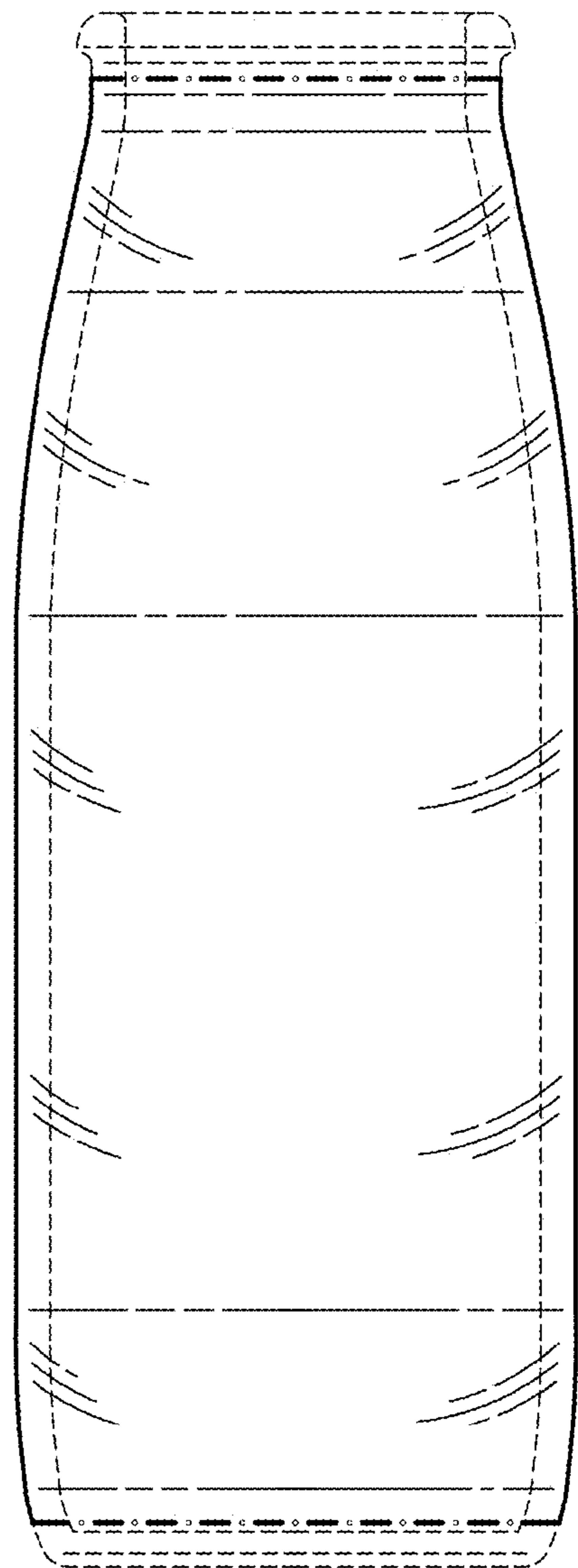


FIG. 2

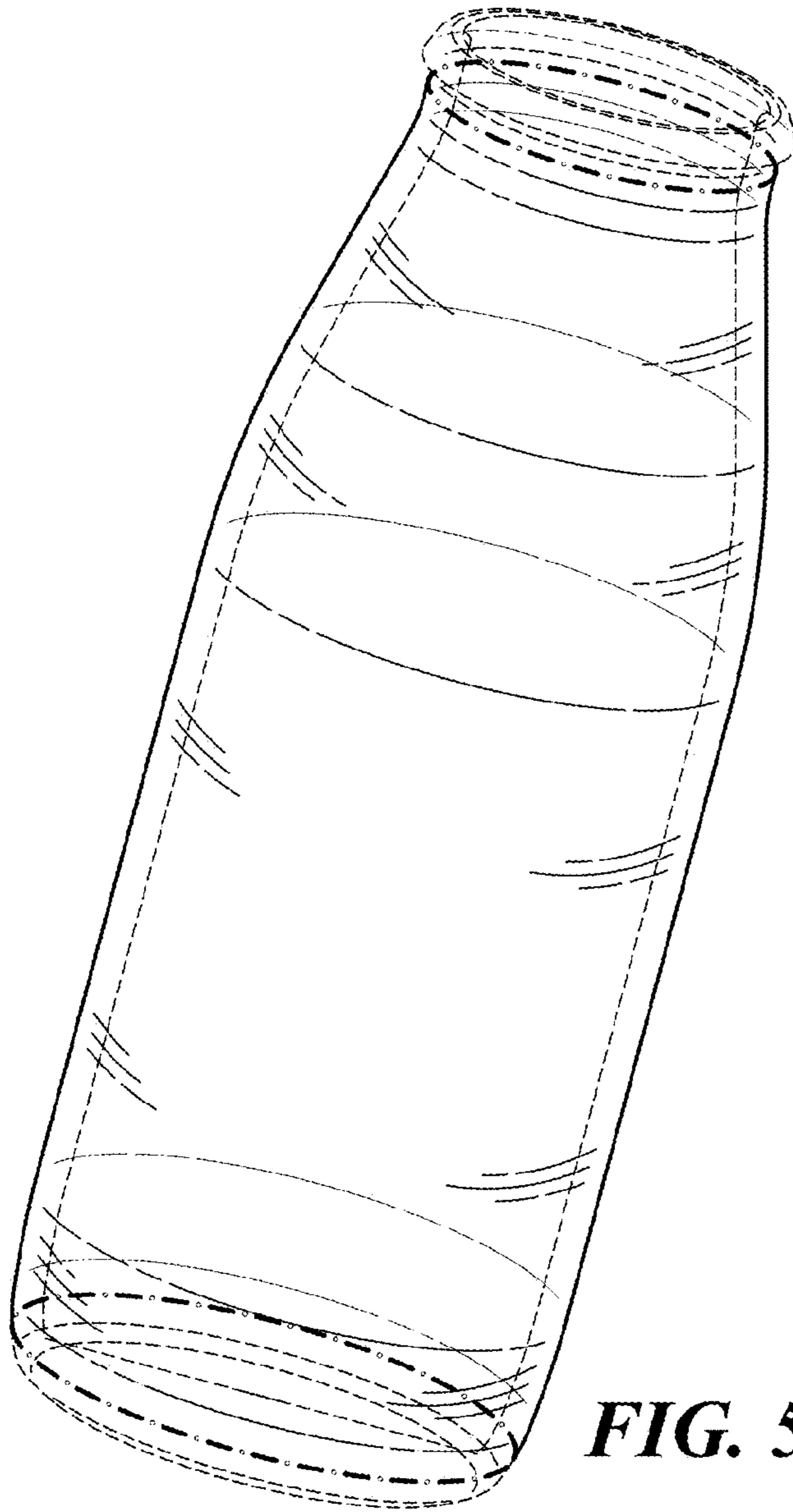


FIG. 5

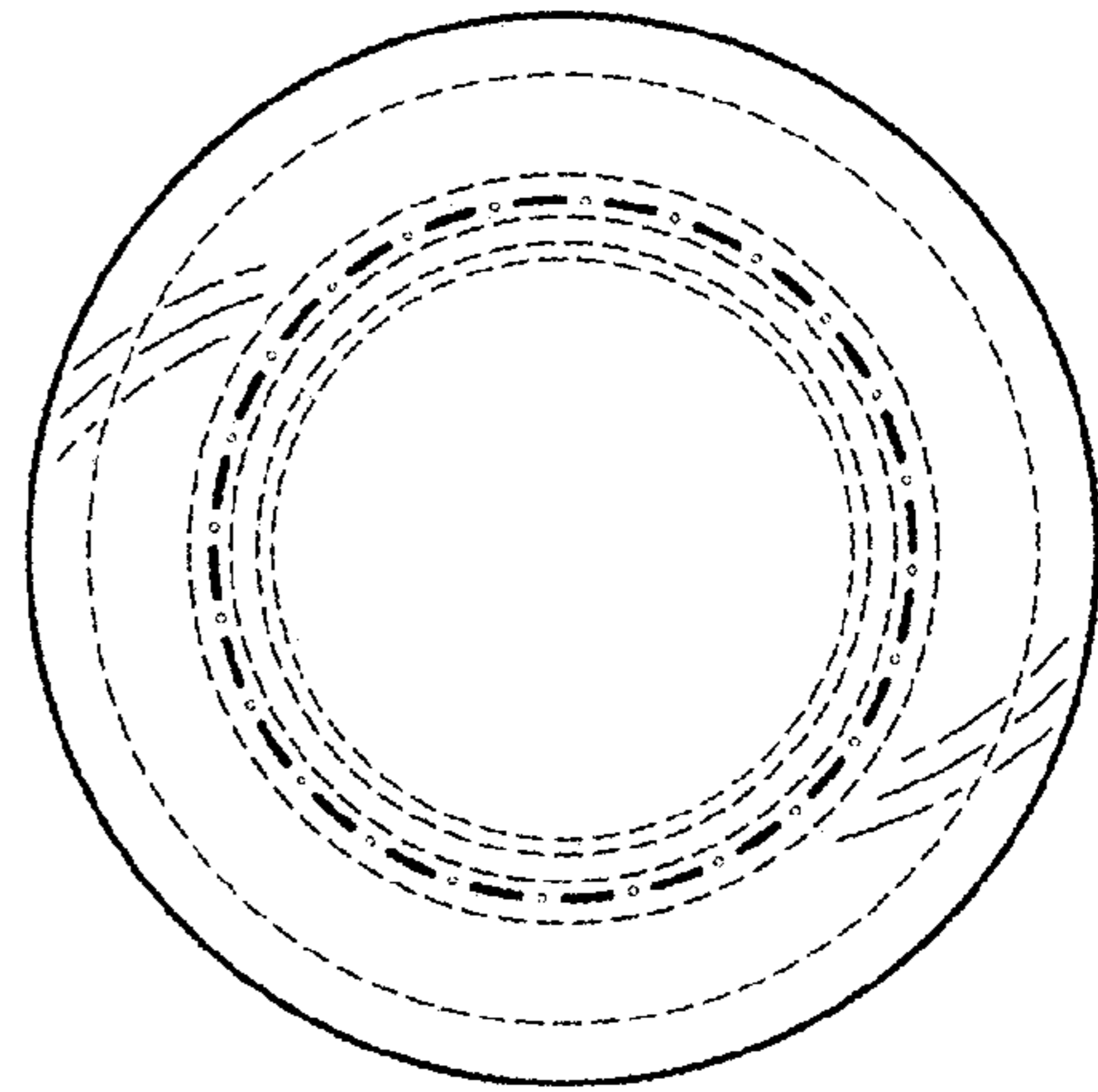


FIG. 7

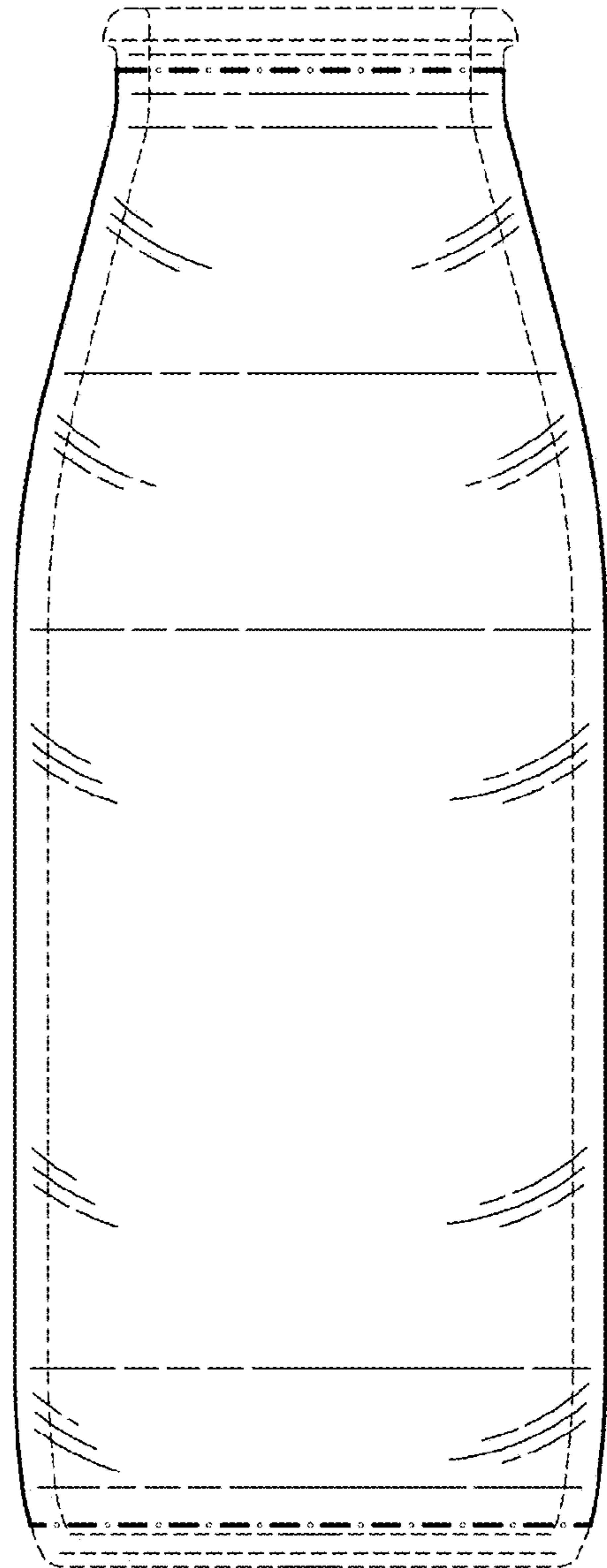


FIG. 6

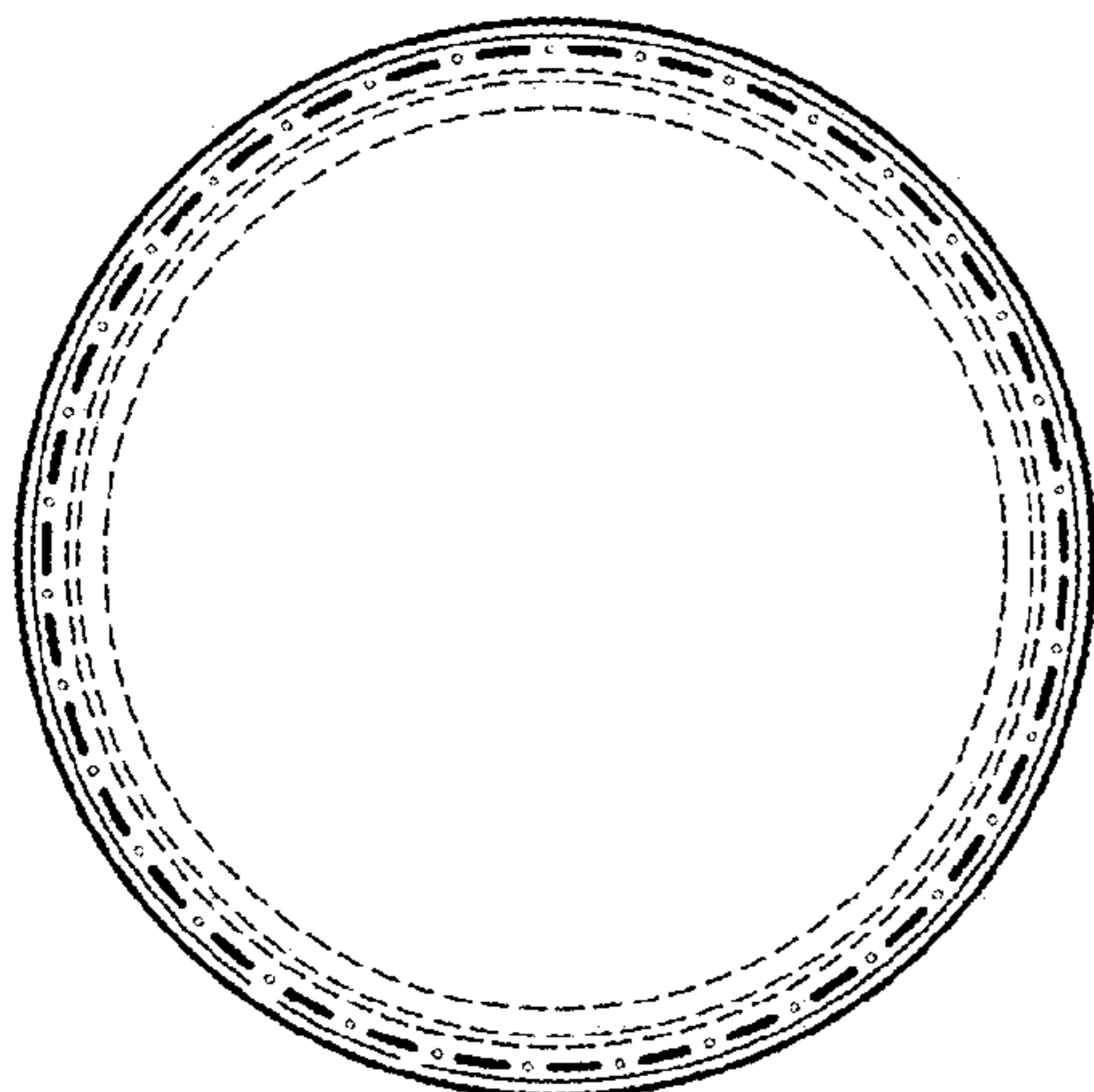


FIG. 8