



US00D888558S

(12) **United States Design Patent**
Harris et al.

(10) **Patent No.:** **US D888,558 S**
(45) **Date of Patent:** **** Jun. 30, 2020**

(54) **CONTAINER**

(71) Applicant: **Owens-Brockway Glass Container Inc.**, Perrysburg, OH (US)

(72) Inventors: **Paul Harris**, Toledo, OH (US); **Taylor Smith**, Findlay, OH (US); **Sean Reardon**, Mentor, OH (US); **Mikayla Houchell**, Hamilton, OH (US)

(73) Assignee: **Owens-Brockway Glass Container Inc.**, Perrysburg, OH (US)

(**) Term: **15 Years**

(21) Appl. No.: **29/705,508**

(22) Filed: **Sep. 12, 2019**

(51) **LOC (12) Cl.** **09-01**

(52) **U.S. Cl.**
USPC **D9/500**

(58) **Field of Classification Search**
USPC D9/434, 500, 502-505, 516, 530, 537, D9/539, 545, 549, 558, 715, 719, D9/763-764, 772, 776-780
CPC B65D 1/00; B65D 1/02; B65D 1/0223; B65D 23/00; B65D 81/00; B65D 2501/00; B65D 2501/0009
See application file for complete search history.

(56) **References Cited**

U.S. PATENT DOCUMENTS

D24,182 S	4/1895	Kilian	
D68,085 S	9/1925	Bromley	
D99,508 S	5/1936	Hutchison	
D222,529 S	11/1971	Terner	
D383,037 S	9/1997	Asberg	
D391,853 S *	3/1998	Green	D9/500
D392,566 S	3/1998	Vahjen et al.	
D399,425 S	10/1998	Ramsey	
D404,254 S	1/1999	Asberg	
D404,970 S	2/1999	Asberg	

D437,230 S	2/2001	Andrew	
D501,792 S *	2/2005	Priestman	D9/500
D504,822 S *	5/2005	Wadalawala	D9/503
D505,329 S *	5/2005	Wadalawala	D9/503
D508,205 S *	8/2005	Wadalawala	D9/500
D512,315 S	12/2005	Holm	
D514,937 S	2/2006	Chang	
D528,861 S	9/2006	Herrera	
D551,905 S	10/2007	Snell	

(Continued)

Primary Examiner — Dana Meyrow

(57) **CLAIM**

We claim the ornamental design for the container, as shown and described.

DESCRIPTION

FIG. 1 is an upper perspective view of a container in accordance with an illustrative embodiment of our new claimed design.

FIG. 2 is an elevational front view of the container in FIG. 1, the right, left, and rear elevational views being substantially the same as FIG. 1.

FIG. 3 is a top view of the container in FIG. 1.

FIG. 4 is a bottom view of the container in FIG. 1.

FIG. 5 is an upper perspective view of a container in accordance with another illustrative embodiment of our new claimed design.

FIG. 6 is an elevational front view of the container in FIG. 5, the right, left, and rear elevational views being substantially the same as FIG. 5.

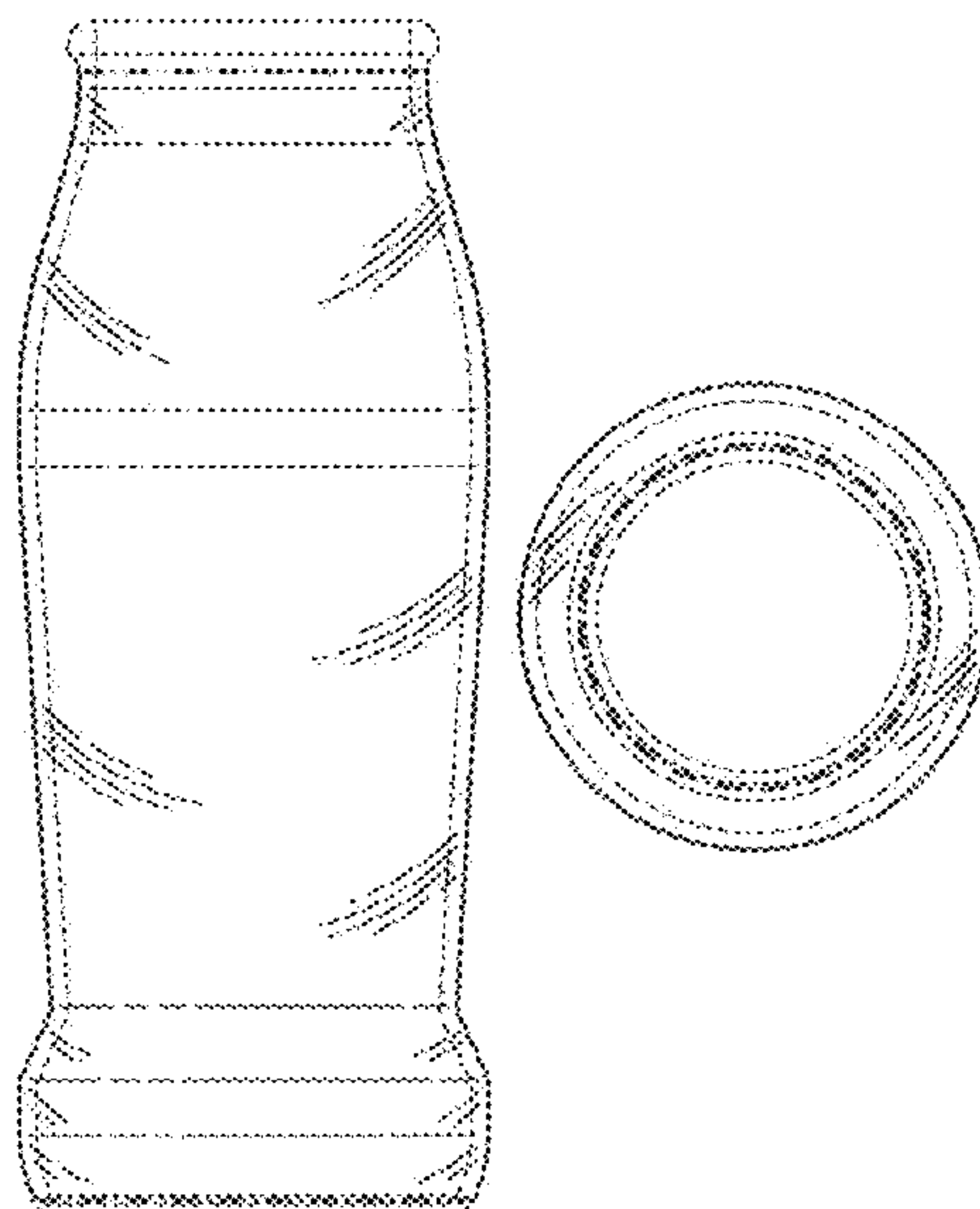
FIG. 7 is a top view of the container in FIG. 5; and,

FIG. 8 is a bottom view of the container in FIG. 5.

Dash-dash broken lines shown in the drawings illustrate portions of the container that form no part of the claimed design.

Dash-dot broken lines shown in the drawings represent boundaries of the claimed design and form no part of the claimed design.

1 Claim, 2 Drawing Sheets



(56)

References Cited

U.S. PATENT DOCUMENTS

D556,038	S	*	11/2007	Chupak	D9/500
D567,106	S	*	4/2008	Simpson	D9/500
D569,189	S		5/2008	Kehrein et al.		
D575,154	S	*	8/2008	Andrews	D9/500
D582,773	S	*	12/2008	Klemm	D9/500
D582,774	S	*	12/2008	Klemm	D9/500
D583,671	S		12/2008	Bourne		
D616,754	S	*	6/2010	Arnell	D9/500
D624,438	S		9/2010	Diss		
D630,513	S	*	1/2011	Zoppas	D9/500
D634,201	S	*	3/2011	Arnell	D9/500
D634,205	S	*	3/2011	Arnell	D9/500
D644,126	S		8/2011	Dick et al.		
D646,988	S		10/2011	Myers		
D648,178	S		11/2011	Dick et al.		
D648,179	S		11/2011	Myers		
D654,362	S	*	2/2012	Weber-Trinkfass	D9/503
D655,167	S	*	3/2012	Weber-Trinkfass	D9/503
D664,852	S	*	8/2012	Weber-Trinkfass	D9/452
D675,110	S		1/2013	Myers		
D691,479	S	*	10/2013	Bea	D9/503
D694,626	S	*	12/2013	Barsoumian	D9/500
D739,736	S		9/2015	Fleischhacker		
D765,341	S		9/2016	Pordy		
D766,721	S		9/2016	Meador		
D801,119	S		10/2017	Petre et al.		
D808,808	S	*	1/2018	Fux	D9/500
D841,475	S	*	2/2019	Landis	D9/537
D841,476	S	*	2/2019	Landis	D9/539
D850,263	S	*	6/2019	Struggl	D9/503
D850,915	S	*	6/2019	Pietrasanta	D9/500
2012/0265245	A1	*	10/2012	Yamashita	A61J 11/045 215/11.1

* cited by examiner

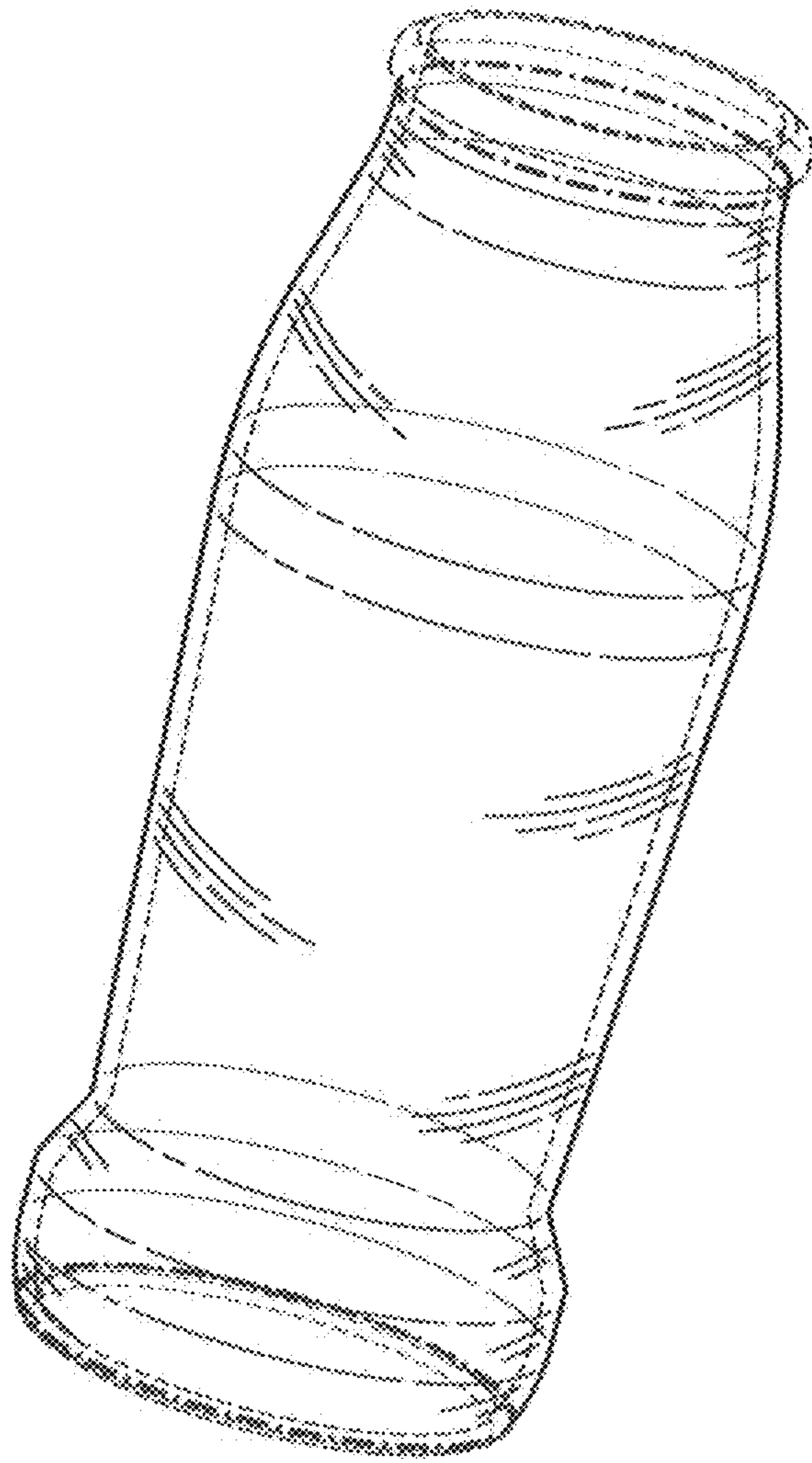


FIG. 1

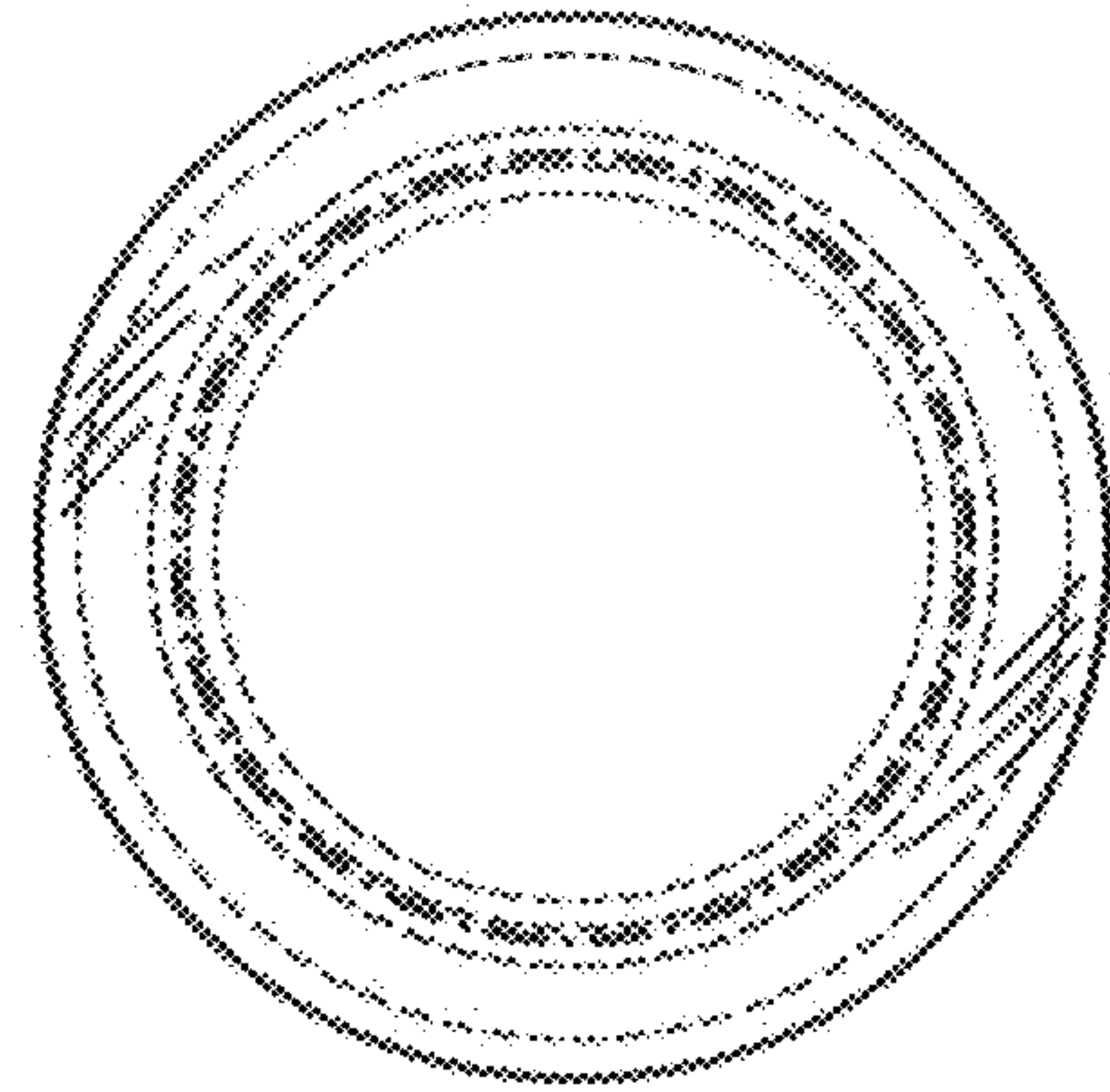


FIG. 3

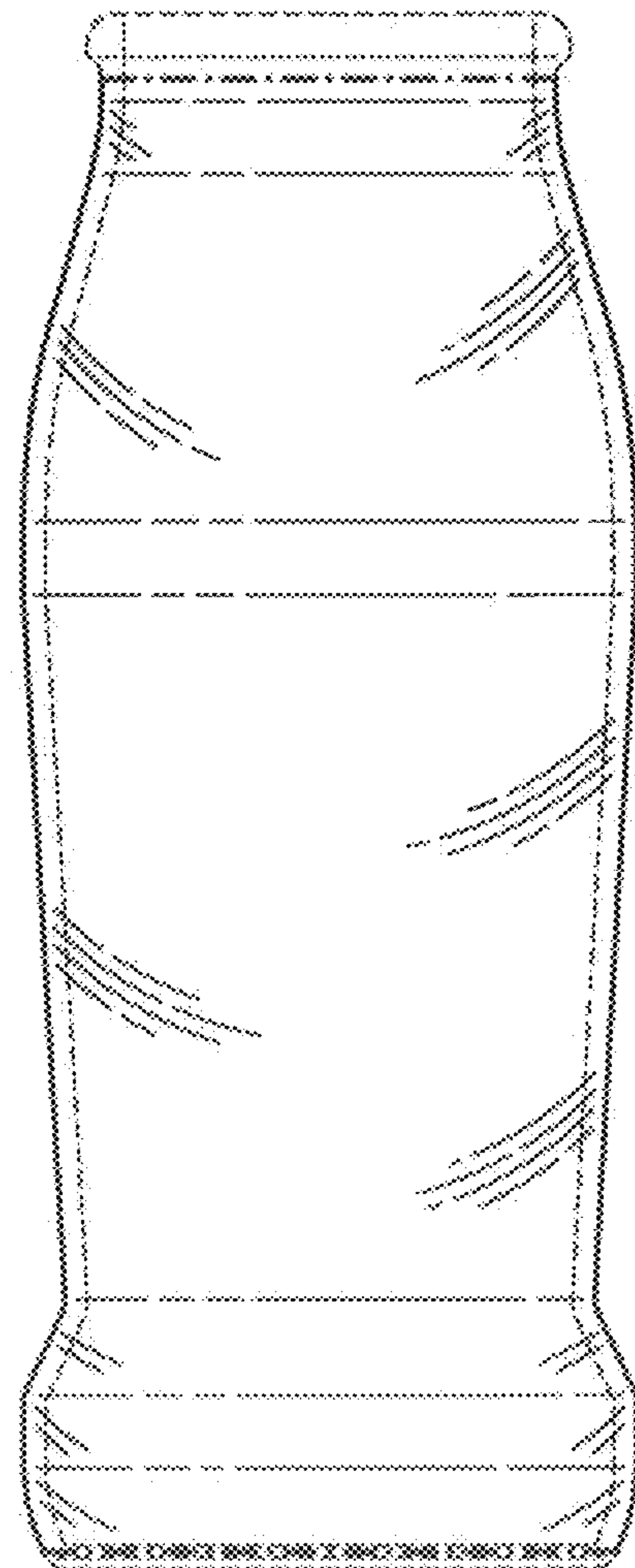


FIG. 2

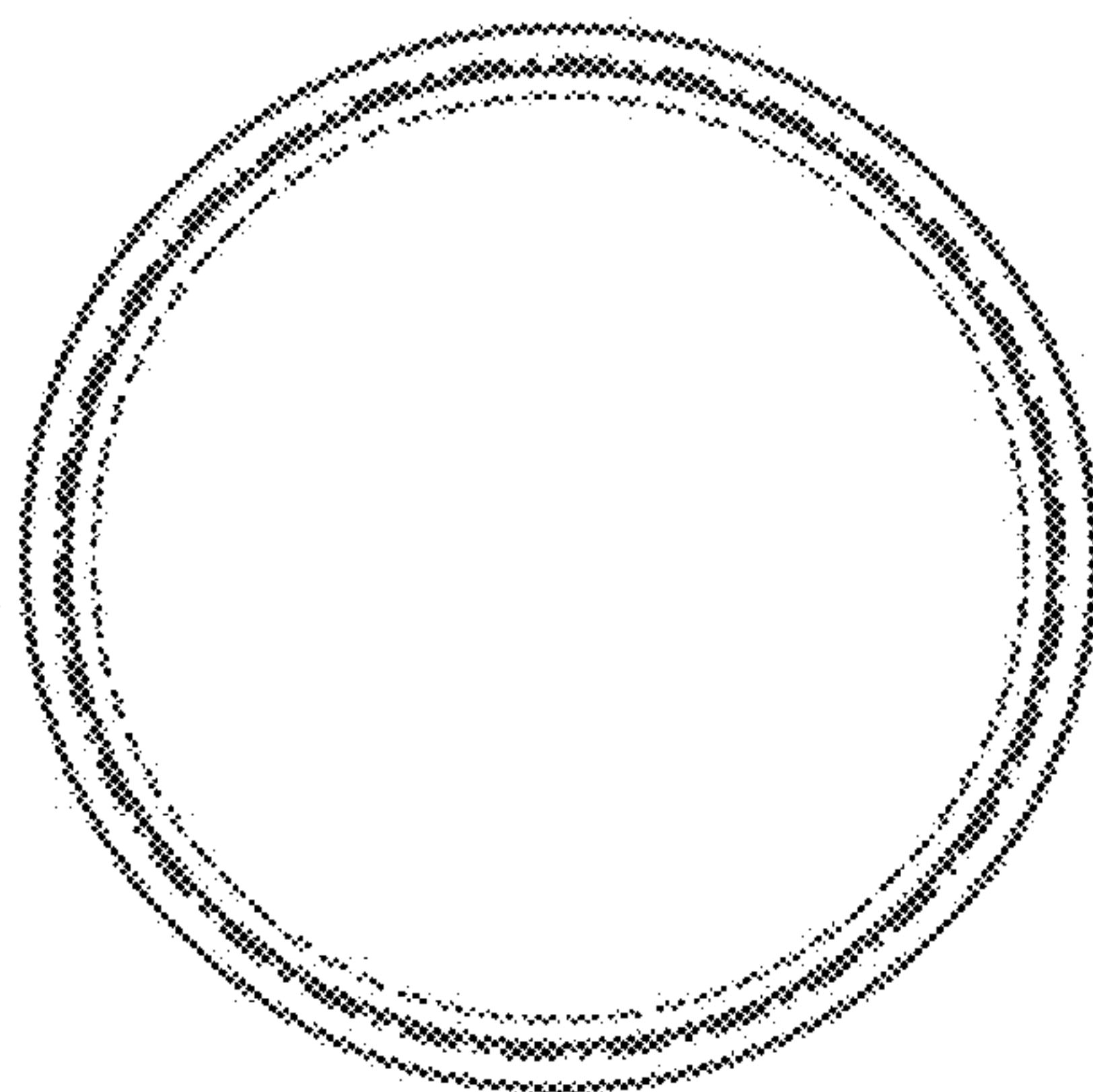


FIG. 4

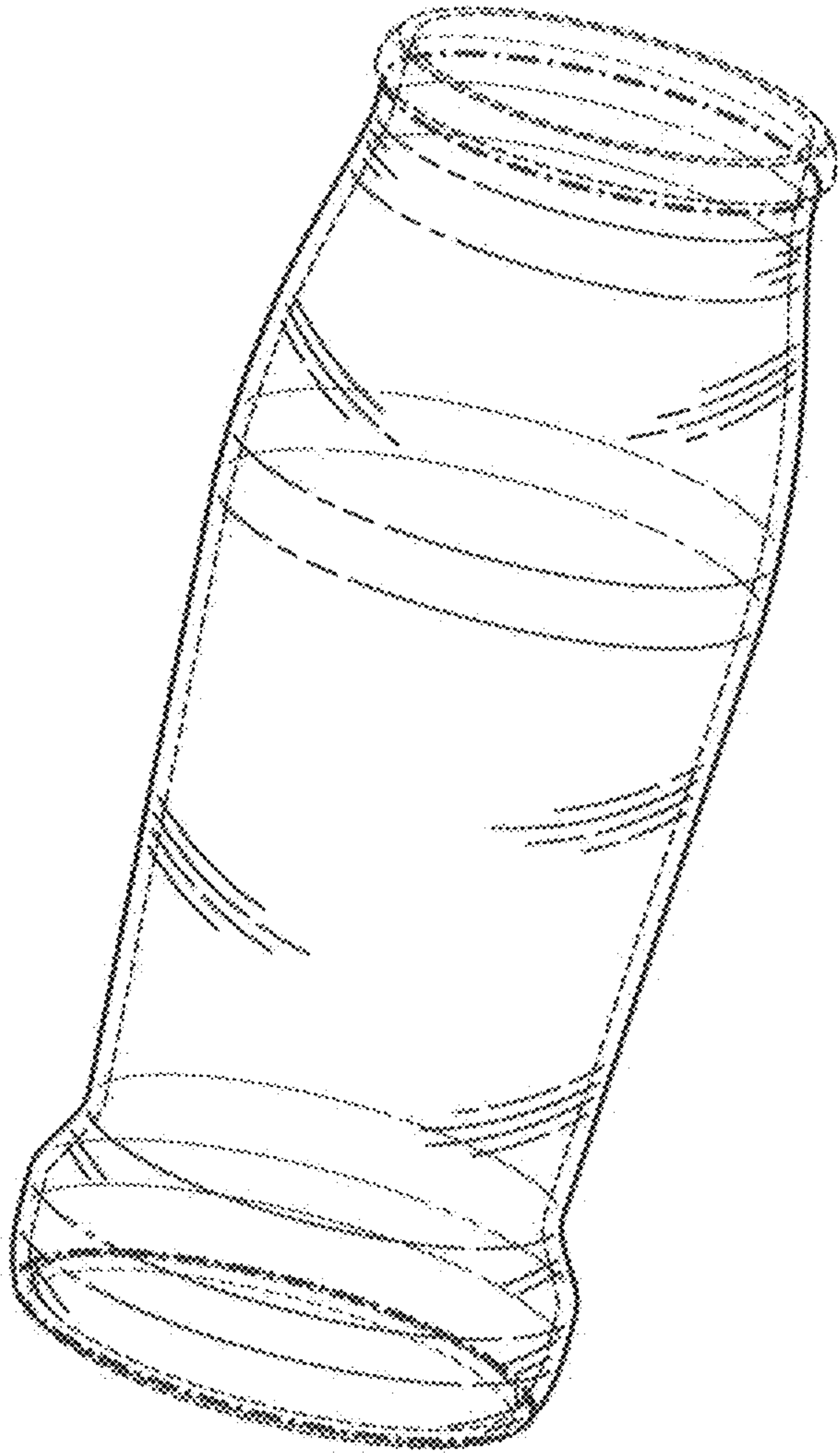


FIG. 5

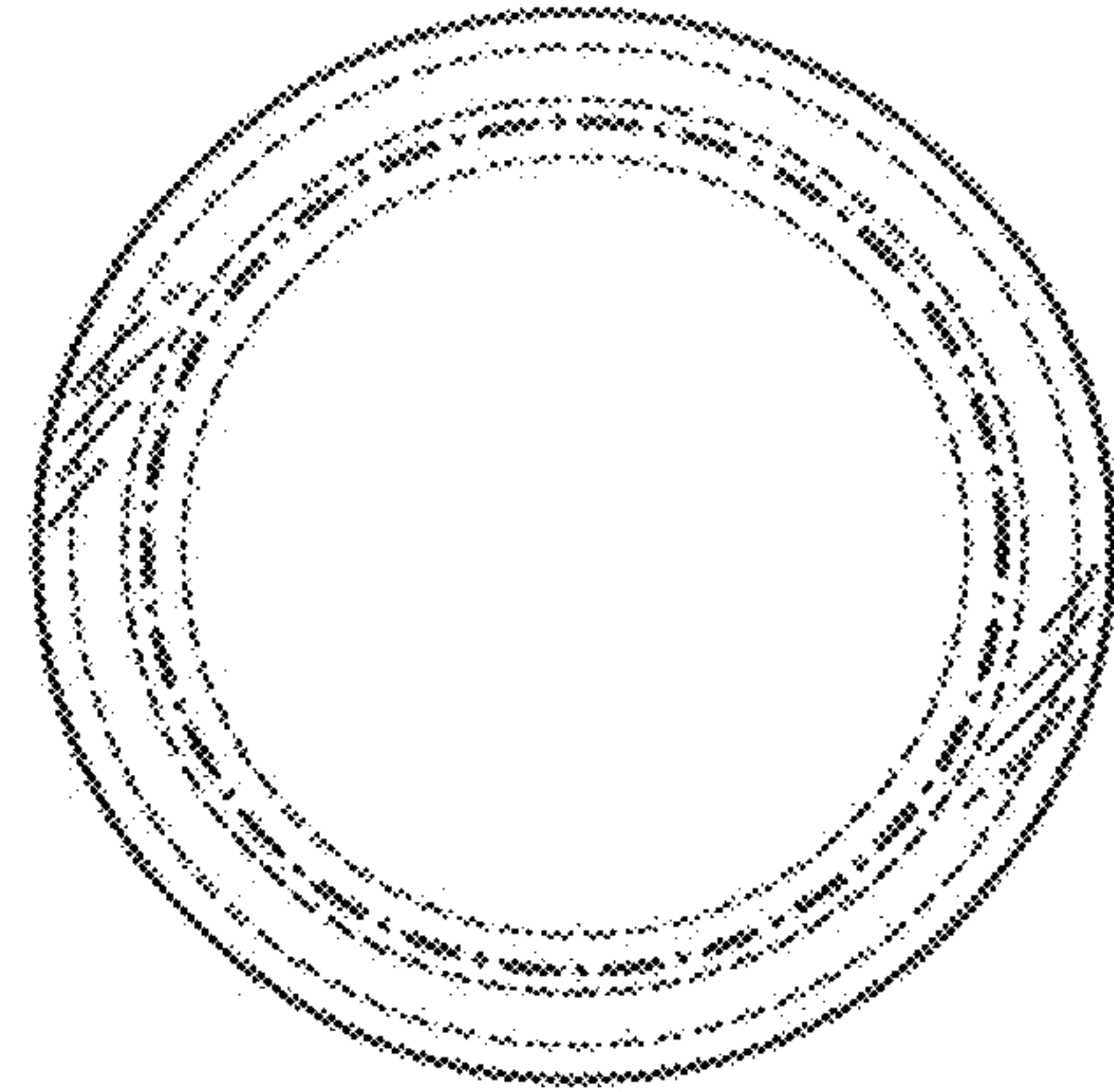


FIG. 7

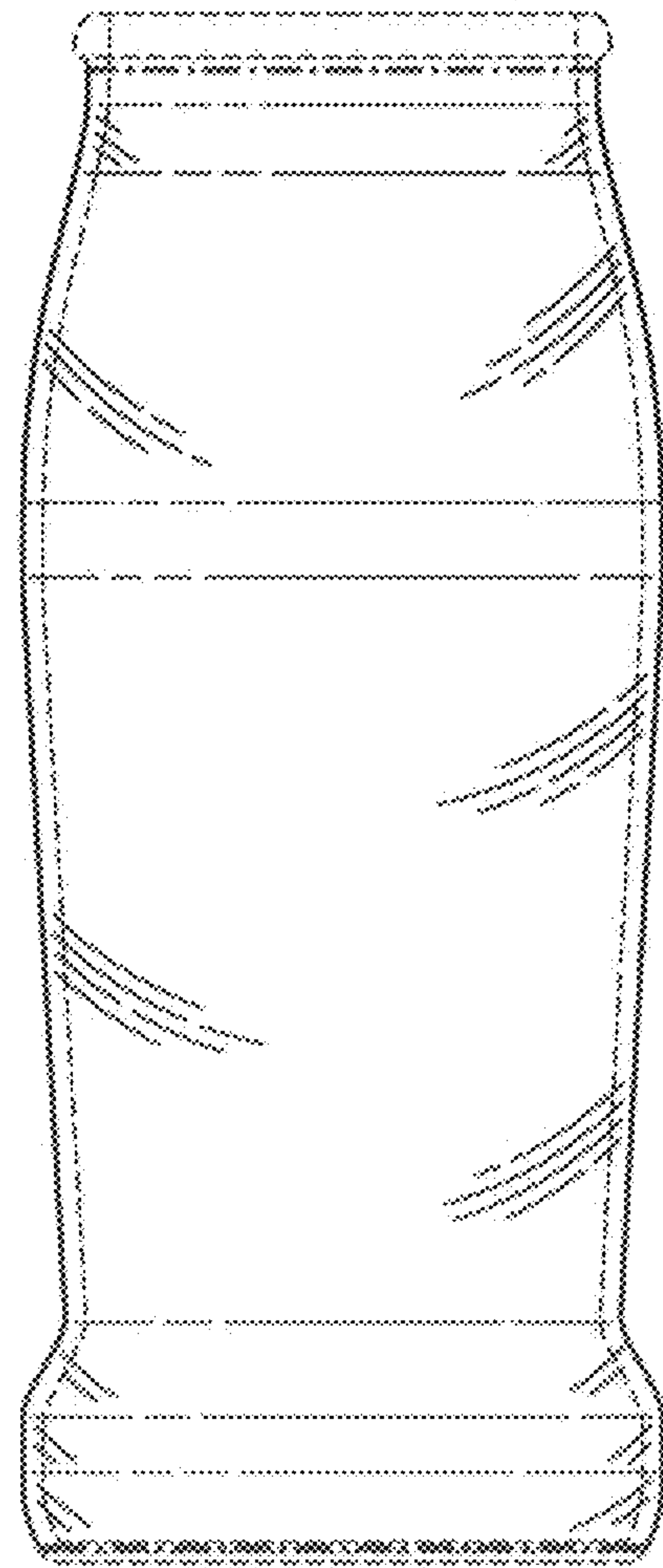


FIG. 6

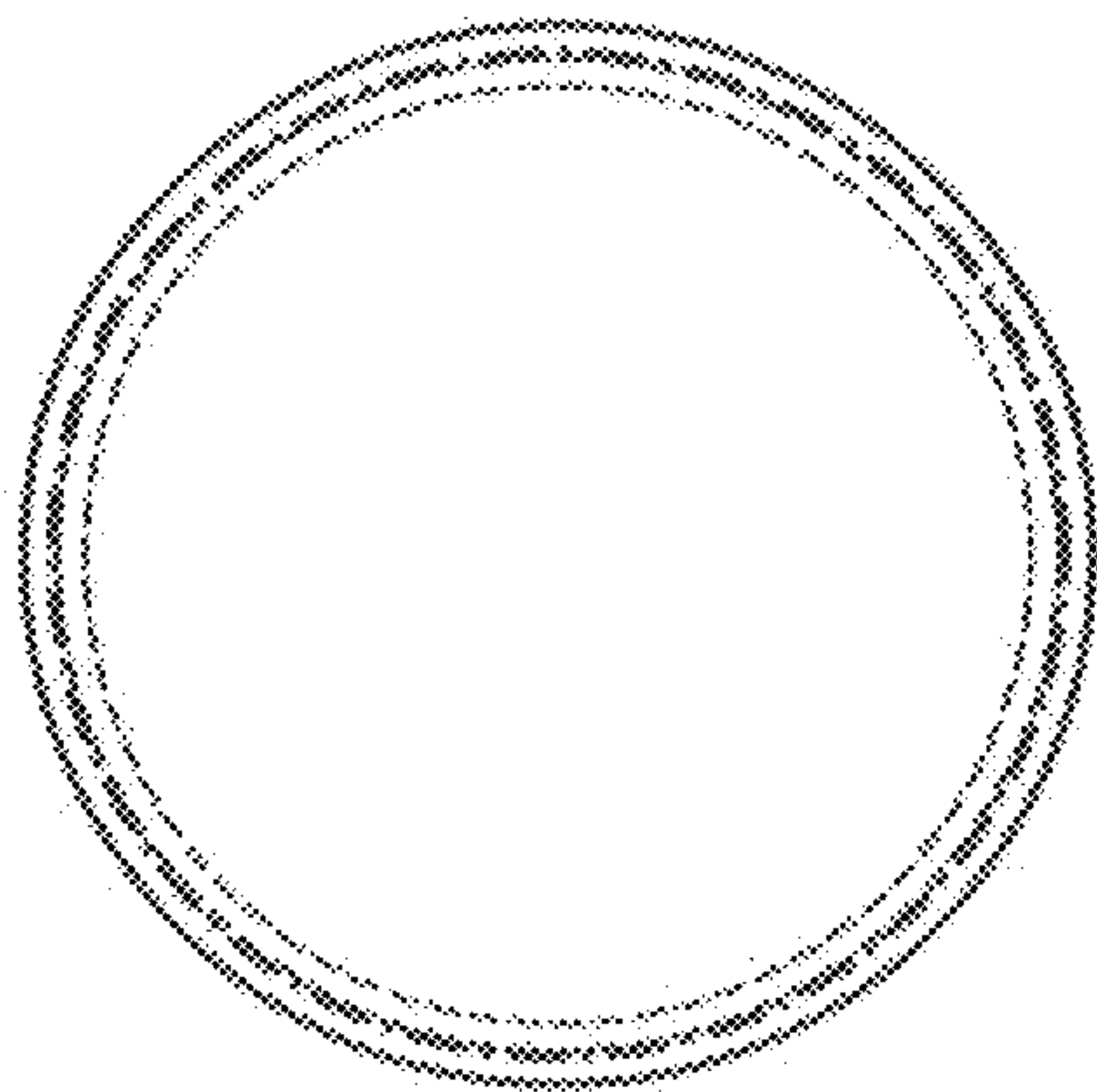


FIG. 8