



US00D888551S

(12) **United States Design Patent**
Kim

(10) **Patent No.:** **US D888,551 S**

(45) **Date of Patent:** **** Jun. 30, 2020**

(54) **PACKING BOX**

(71) Applicant: **Dae Gon Kim**, Asan-si (KR)

(72) Inventor: **Dae Gon Kim**, Asan-si (KR)

(**) Term: **15 Years**

(21) Appl. No.: **29/684,026**

(22) Filed: **Mar. 18, 2019**

(51) **LOC (12) Cl.** **09-03**

(52) **U.S. Cl.**

USPC **D9/432**; D9/433; D9/420

(58) **Field of Classification Search**

USPC D9/414-423, 430-433, 434, 456, 457,
D9/711, 713, 721-722, 737, 756, 758,
D9/759, 760

CPC ... B65D 5/00; B65D 5/02; B65D 5/18; B65D
5/20

See application file for complete search history.

(56) **References Cited**

U.S. PATENT DOCUMENTS

D262,359	S	*	12/1981	Roccaforte	D9/433
5,123,589	A	*	6/1992	Cote	B65D 5/545
						206/455
D353,538	S	*	12/1994	Jobit	D9/432
D465,416	S	*	11/2002	Dzwill	D9/432
D503,087	S	*	3/2005	Dzwill	D3/264
D512,304	S	*	12/2005	Aldridge	D9/422
D576,403	S	*	9/2008	Leslie	D3/201
D613,153	S	*	4/2010	Russell	D9/423
D628,065	S	*	11/2010	Russell	D9/434
D630,942	S	*	1/2011	Russell	D9/434
D632,973	S	*	2/2011	Criss	D9/711
D644,100	S	*	8/2011	Stacy-Ryan	D9/423

D655,171	S	*	3/2012	Bohache	D9/434
D792,784	S	*	7/2017	Wangtaveesab	D9/420
D858,277	S	*	9/2019	Toms, Jr.	D9/433
D859,148	S	*	9/2019	Toms, Jr.	D9/433
D859,149	S	*	9/2019	Hughes	D9/433
D874,921	S	*	2/2020	Zhao	D9/420
2005/0269233	A1	*	12/2005	Aldridge	B65D 5/2057
						206/472
2009/0211938	A1	*	8/2009	Aldridge	B65D 77/02
						206/526
2011/0017632	A1	*	1/2011	Lee	B65D 5/321
						206/525
2011/0198258	A1	*	8/2011	Aldridge	B65D 5/6685
						206/524.1

* cited by examiner

Primary Examiner — Vy N Koenig

(74) *Attorney, Agent, or Firm* — Novick, Kim & Lee, PLLC; Jae Youn Kim; Hyun Woo Shin

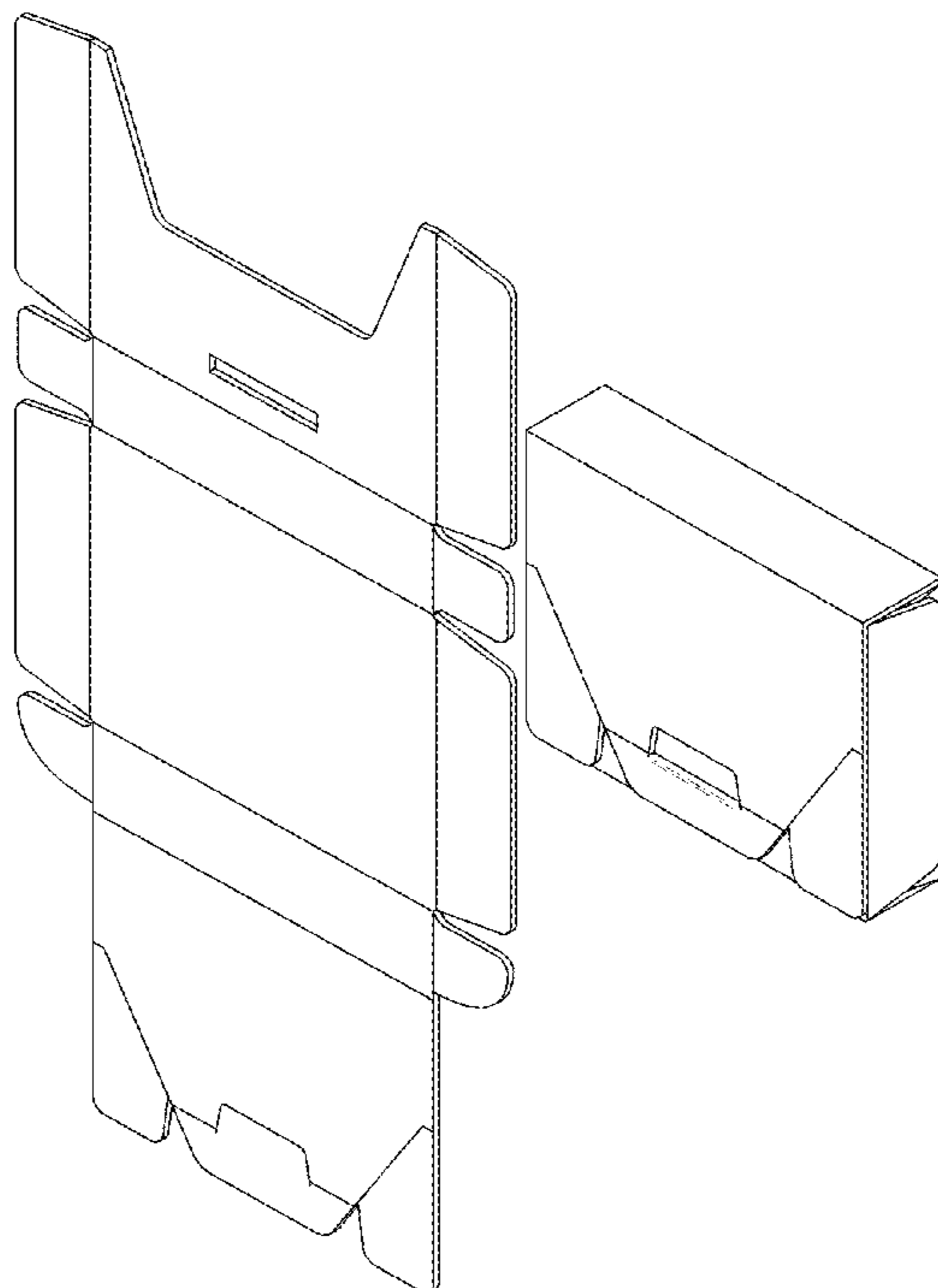
(57) **CLAIM**

I claim, the ornamental design for a packing box, as shown and described.

DESCRIPTION

FIG. 1 is a perspective view of a packing box, showing my new design;
FIG. 2 is a front elevational view thereof;
FIG. 3 is a rear elevational view thereof;
FIG. 4 is a left side elevational view thereof;
FIG. 5 is a right side elevational view thereof;
FIG. 6 is a top plan view thereof;
FIG. 7 is a bottom plan view thereof; and,
FIG. 8 is a perspective view of the packing box of FIG. 1 in an assembled configuration.

1 Claim, 6 Drawing Sheets



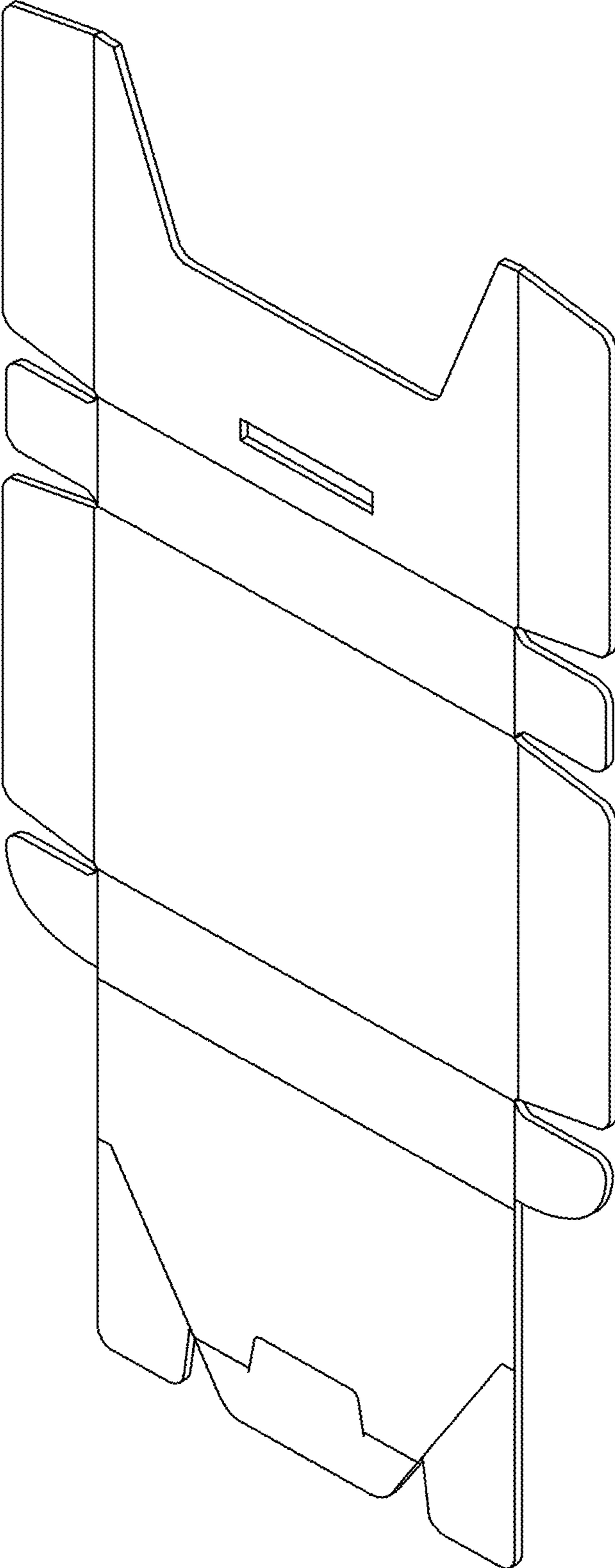


FIG. 1

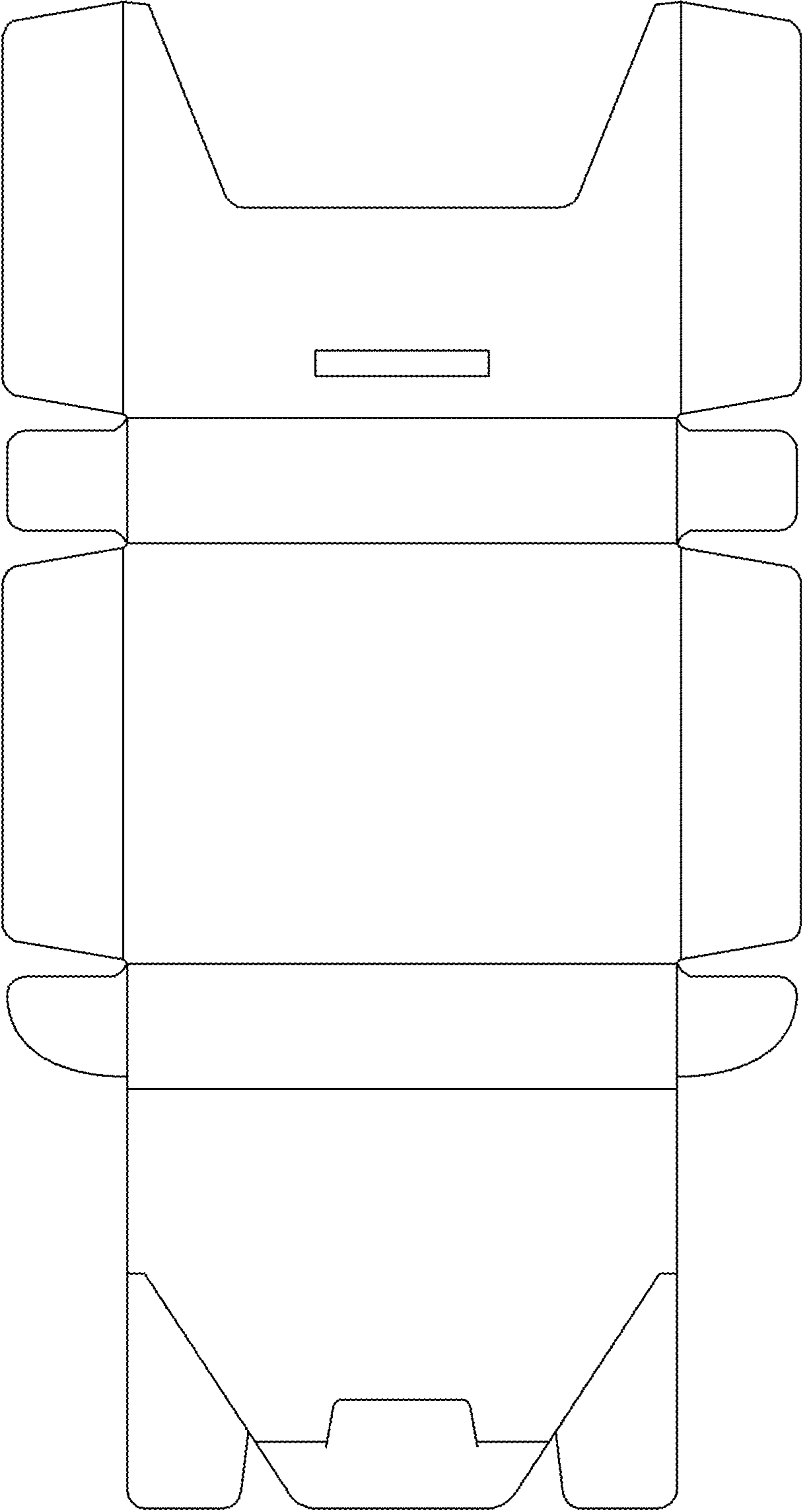


FIG. 2

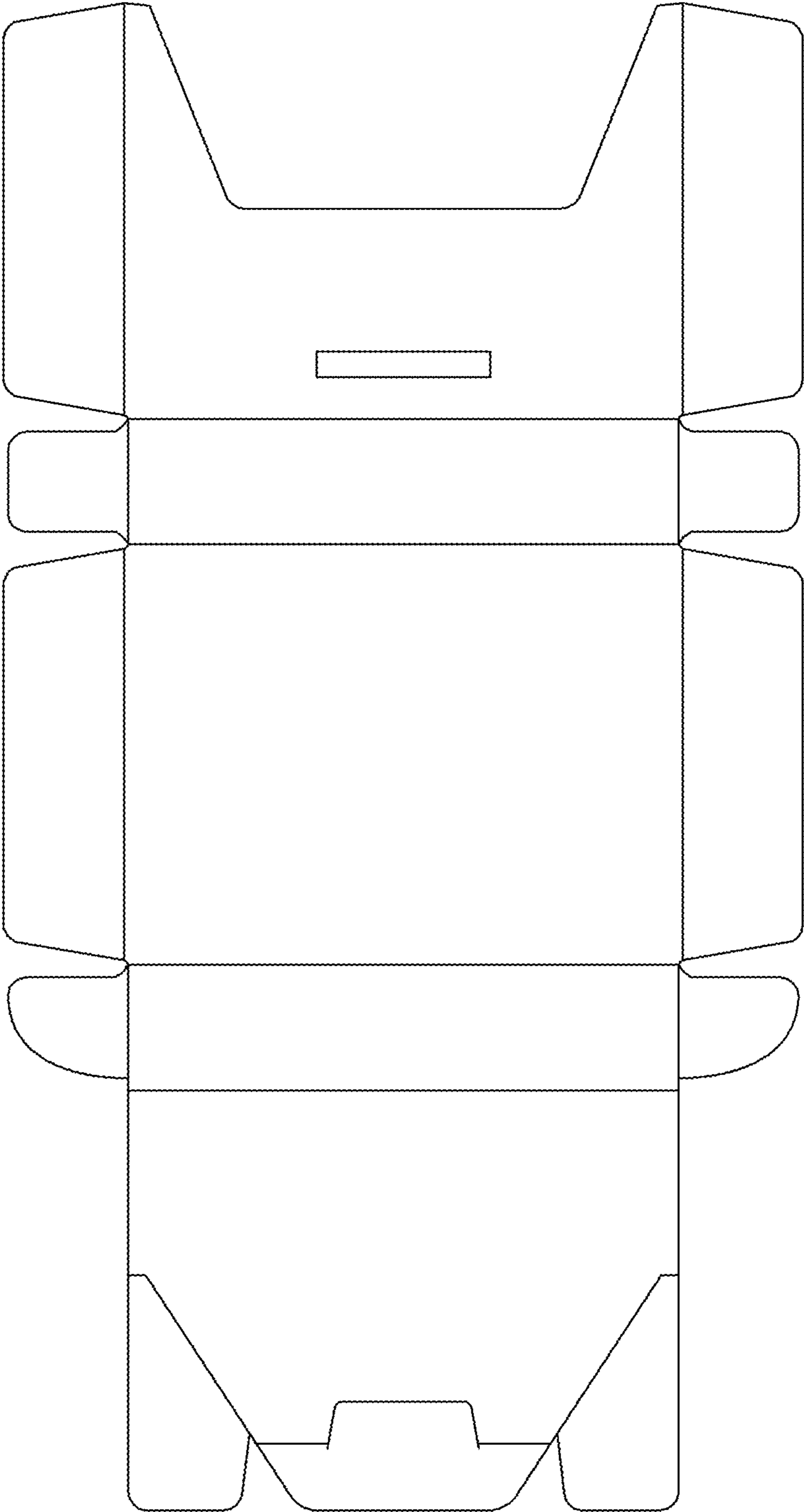


FIG. 3



FIG. 4



FIG. 5



FIG. 6



FIG. 7

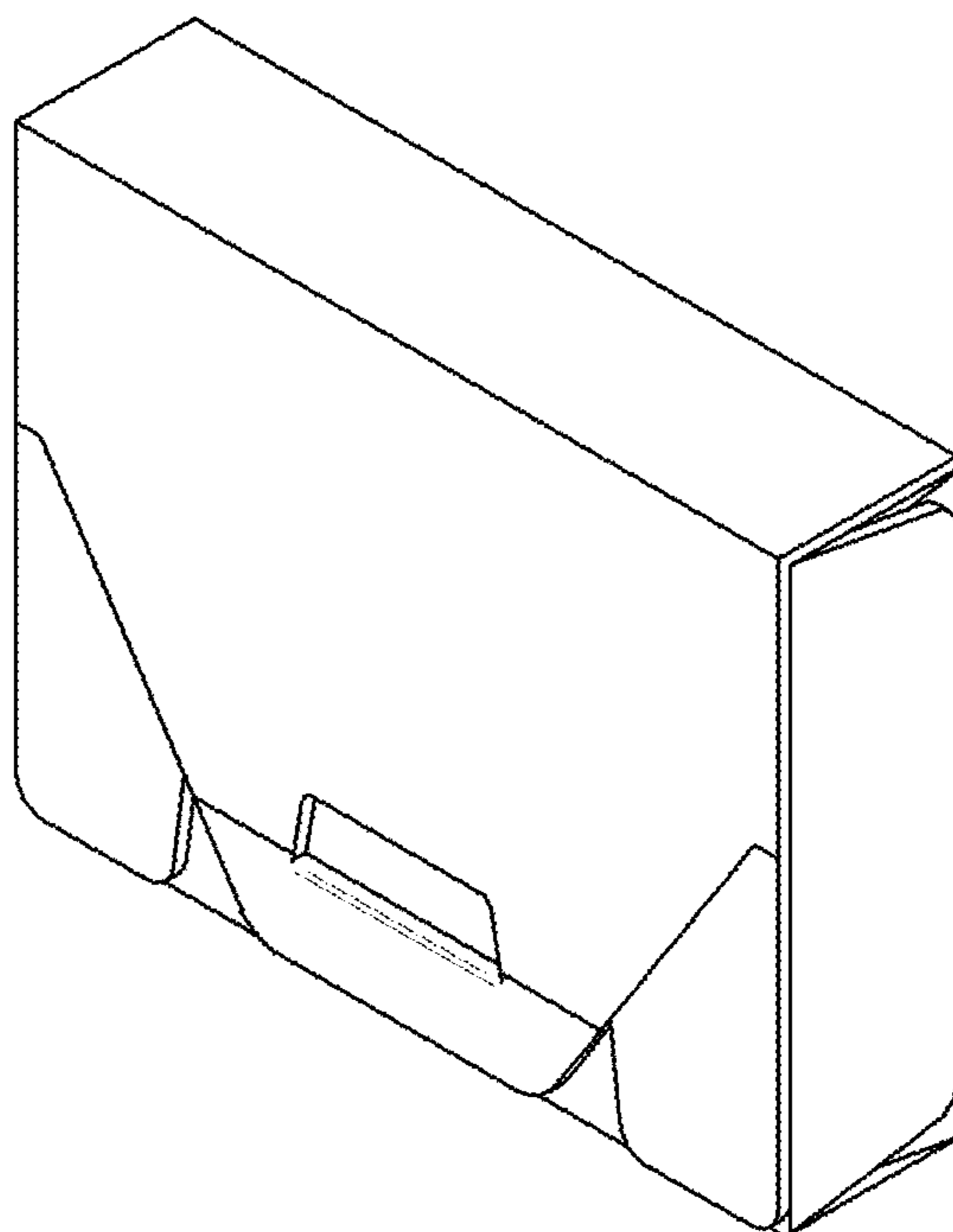


FIG. 8