



US00D888549S

(12) **United States Design Patent** (10) **Patent No.:** **US D888,549 S**
Hietanen et al. (45) **Date of Patent:** **** *Jun. 30, 2020**

(54) **SMALL FOLDABLE SNAP BOX**
(71) Applicant: **IdeaStream Consumer Products, LLC**, Cleveland, OH (US)
(72) Inventors: **Benjamin Hietanen**, Mentor, OH (US); **Ashlee Hietanen**, Mentor, OH (US); **Daniel Perella**, Cleveland, OH (US); **Yanhong Shuai**, Shenzhen (CN); **Youfang Xu**, Shenzhen (CN)

(73) Assignee: **IdeaStream Consumer Products, LLC**, Cleveland, OH (US)

(*) Notice: This patent is subject to a terminal disclaimer.

(**) Term: **15 Years**

(21) Appl. No.: **29/666,578**

(22) Filed: **Oct. 15, 2018**

(51) **LOC (12) Cl.** **09-03**

(52) **U.S. Cl.**
USPC **D9/432; D9/433**

(58) **Field of Classification Search**
USPC D9/414-423, 424-429, 430-433, 434, D9/456, 457, 711, 713, 721-722, 737; D3/272-274, 290, 304, 305, 315 B65D 5/00; B65D 5/02; B65D 5/18; B65D 5/20
See application file for complete search history.

(56) **References Cited**
U.S. PATENT DOCUMENTS
2,989,226 A * 6/1961 Swartz B65D 11/188
229/125.19
D311,686 S * 10/1990 Tozawa D9/423
(Continued)

OTHER PUBLICATIONS
Snap-N-Store Supply Box, 2.5"x5.5"x8.5", Black & White Polka Dots (SNS03323). [online] First available Jun. 12, 2017. Retrieved

from URL: https://www.amazon.com/dp/B071WBSSLK/ref=emc_b_5_i.*

Primary Examiner — Vy N Koenig
(74) *Attorney, Agent, or Firm* — Fay Sharpe LLP

(57) **CLAIM**
The ornamental design for a small foldable snap box, as shown and described.

DESCRIPTION
FIG. 1 is a front isometric view of a small foldable snap box showing the claimed design, with a closed lid;
FIG. 2 is a rear isometric view of the small foldable snap box in FIG. 1;
FIG. 3 is a bottom perspective view of the small foldable snap box in FIG. 1;
FIG. 4 is a front perspective view of the small foldable snap box in FIG. 1;
FIG. 5 is a front view of the small foldable snap box in FIG. 1;
FIG. 6 is a left side view of the small foldable snap box in FIG. 1;
FIG. 7 is a right side view of the small foldable snap box in FIG. 1;
FIG. 8 is a front isometric view of a small foldable snap box with an open lid;
FIG. 9 is a right side rear isometric view of the small foldable snap box in FIG. 8;
FIG. 10 is a right side bottom perspective view of the small foldable snap box in FIG. 8;
FIG. 11 is a left side rear isometric view of the small foldable snap box in FIG. 8;
FIG. 12 is a left side bottom perspective view of the small foldable snap box in FIG. 8;
FIG. 13 is a top perspective view of the small foldable snap box in FIG. 8;
FIG. 14 is a left side perspective view of the small foldable snap box in FIG. 8;
FIG. 15 is a right side perspective view of the small foldable snap box in FIG. 8;

(Continued)

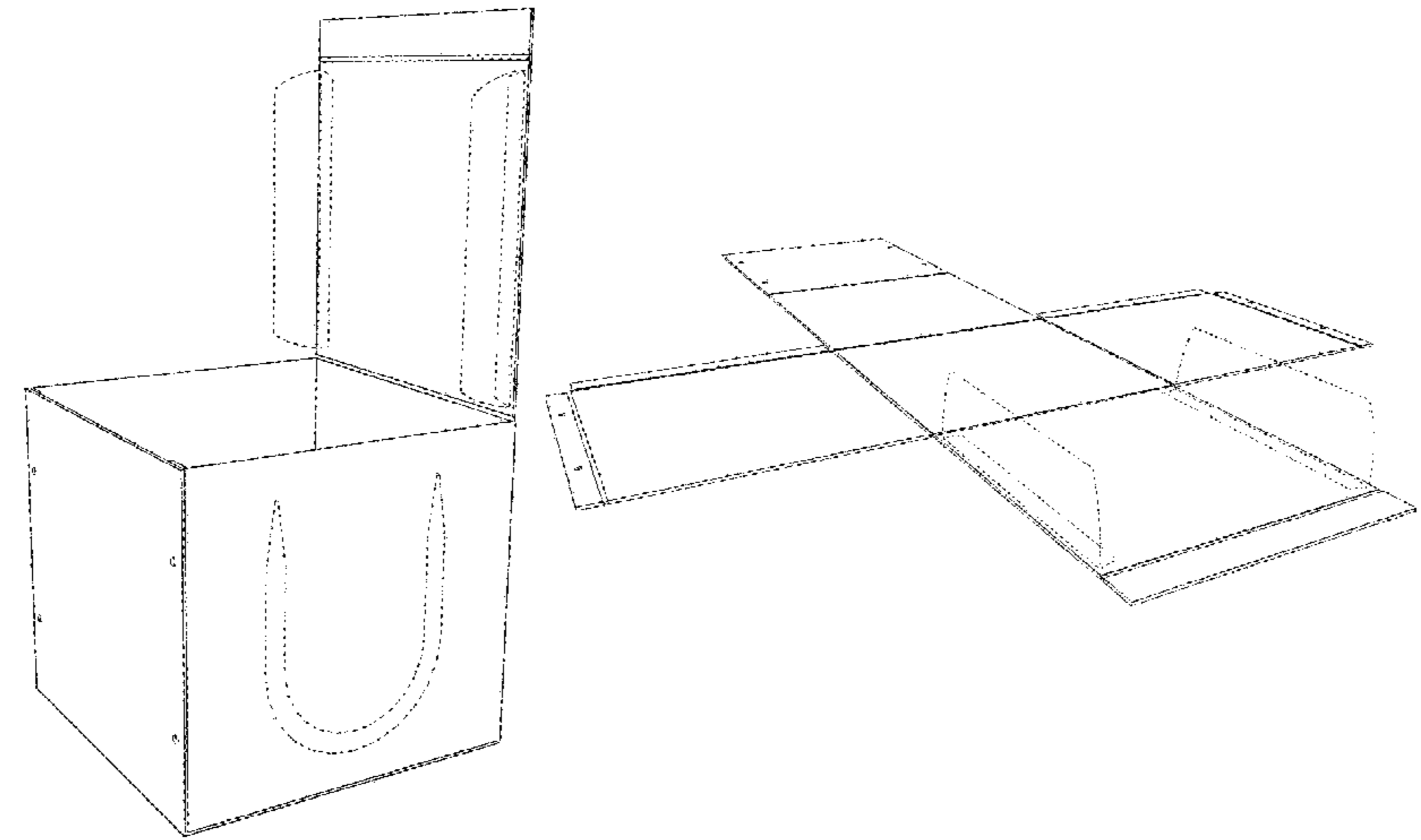


FIG. 16 is a top view of the small foldable snap box in FIG. 8;
 FIG. 17 is a front perspective view of the small foldable snap box in FIG. 8;
 FIG. 18 is a back side rear isometric view of a small foldable snap box in an unfolded configuration and showing what becomes the interior portions of the box when folded;
 FIG. 19 is a front side isometric view of the small foldable snap box of FIG. 18 showing what becomes the exterior portions of the box when folded;
 FIG. 20 is a front side perspective view of the small foldable snap box of FIG. 18;
 FIG. 21 is a top view of the small foldable snap box of FIG. 18; and,
 FIG. 22 is a bottom view of the small foldable snap box of FIG. 19.
 The broken lines in the figures depict environmental subject matter and form no part of the claimed design.

1 Claim, 22 Drawing Sheets

(56)

References Cited

U.S. PATENT DOCUMENTS

D394,383	S *	5/1998	Bradfield	D9/416
D456,709	S *	5/2002	Dionisio	D9/721
D493,618	S *	8/2004	DeCarlo	D3/283
7,044,277	B2 *	5/2006	Redzisz	A45C 7/0077 190/107
7,188,713	B1 *	3/2007	Espar	A45C 7/0095 190/107
7,938,084	B2 *	5/2011	Scott	A01K 5/01 119/65
D688,459	S *	8/2013	Schmidt	D3/304
D741,165	S *	10/2015	Yassin	D9/414
D844,327	S *	4/2019	Valks	D3/290
D859,976	S *	9/2019	Gales	D9/420
2006/0273144	A1 *	12/2006	Chen	B65D 15/22 229/122
2018/0178971	A1 *	6/2018	Moon	B65D 85/67
2018/0222625	A1 *	8/2018	Perella	B65D 5/4283

* cited by examiner

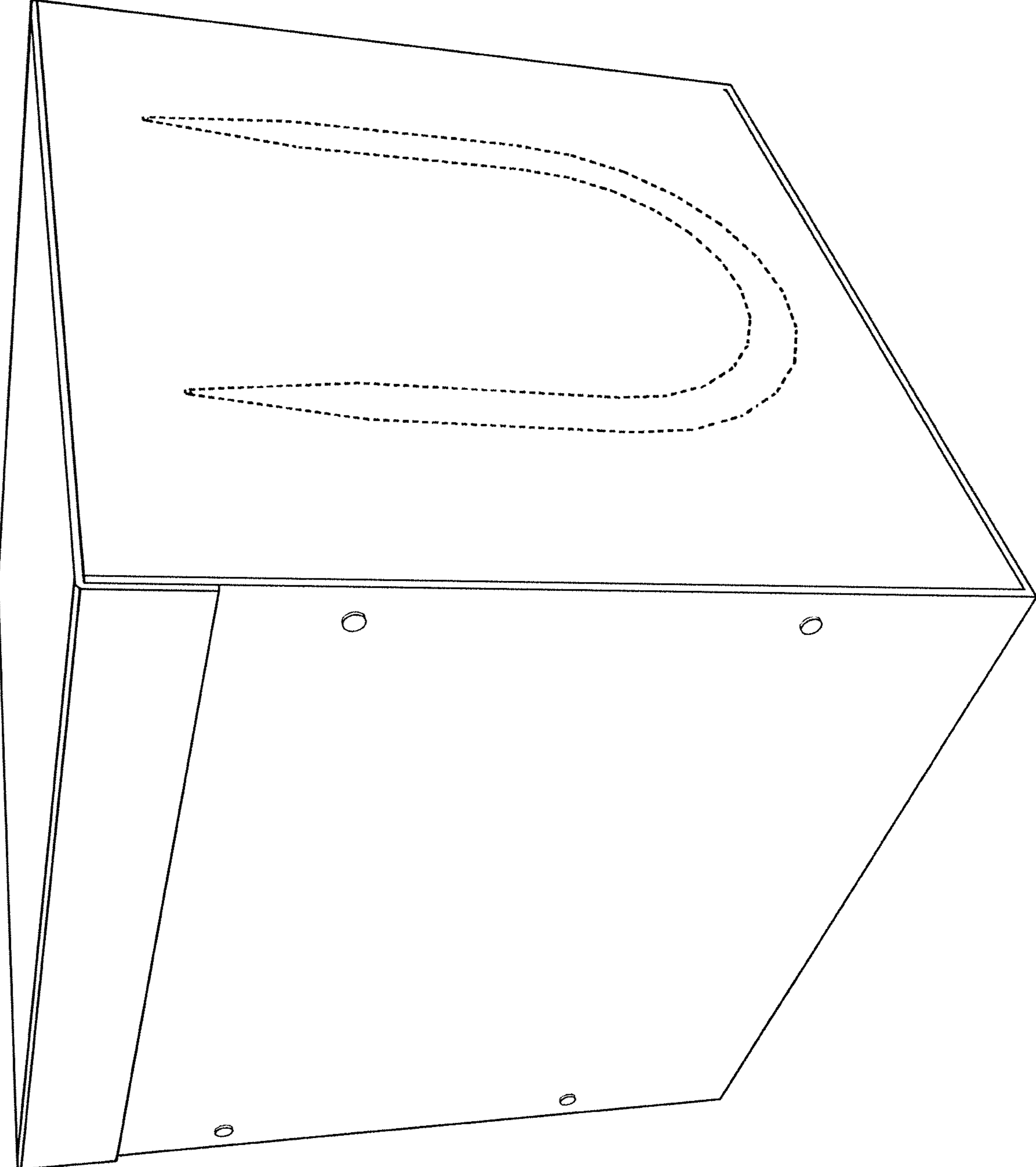


FIG. 1

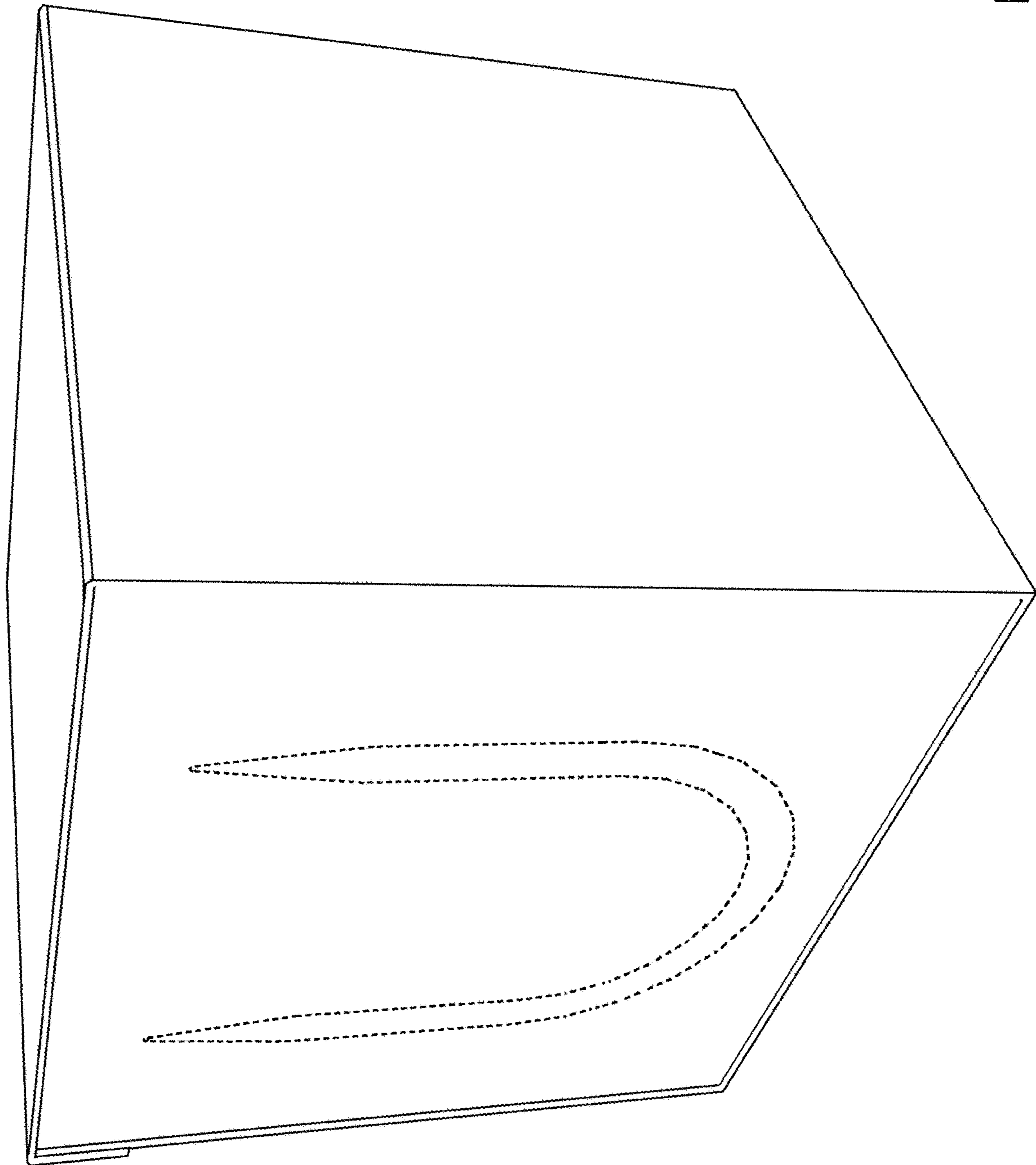


FIG. 2

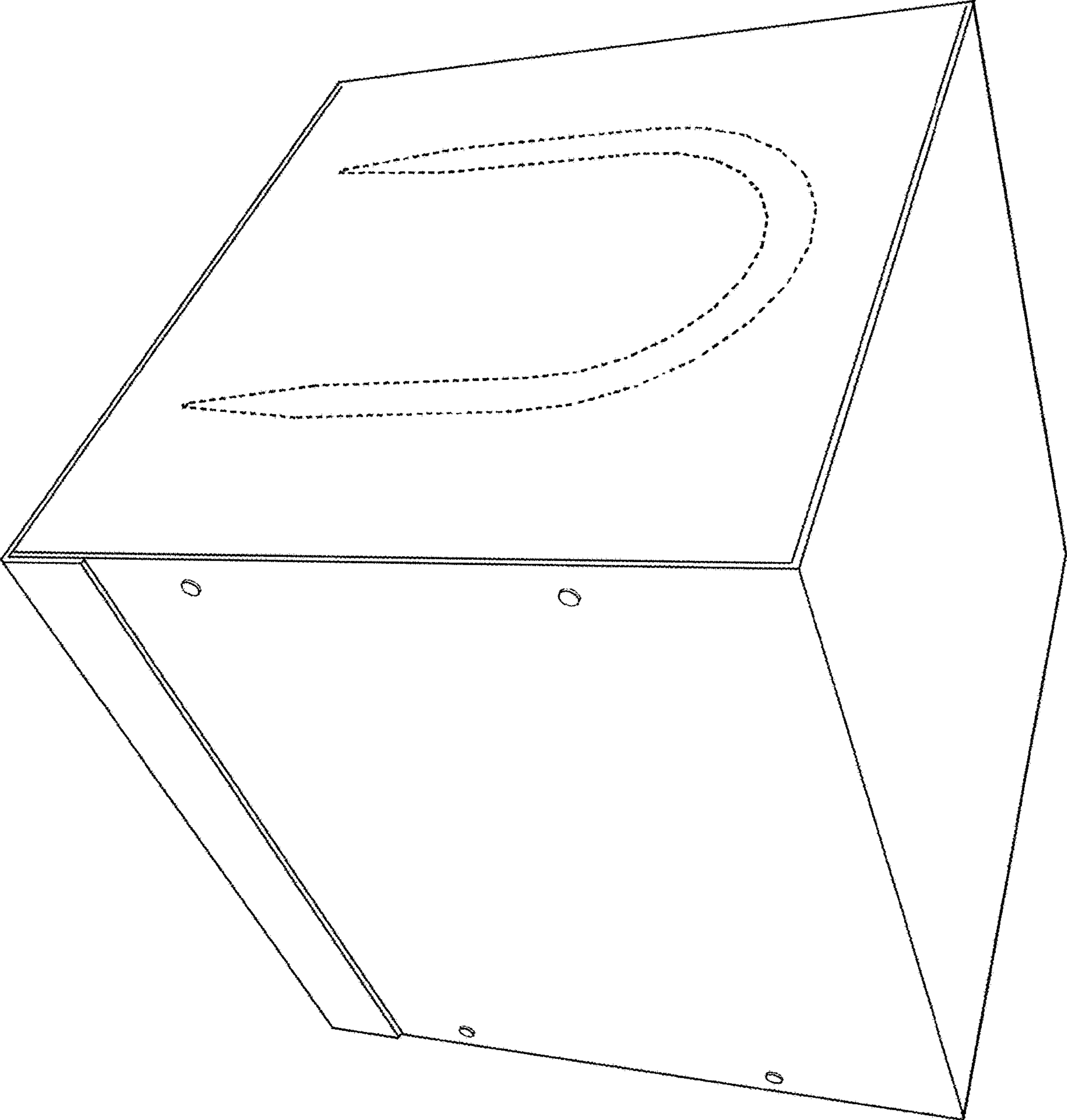


FIG. 3

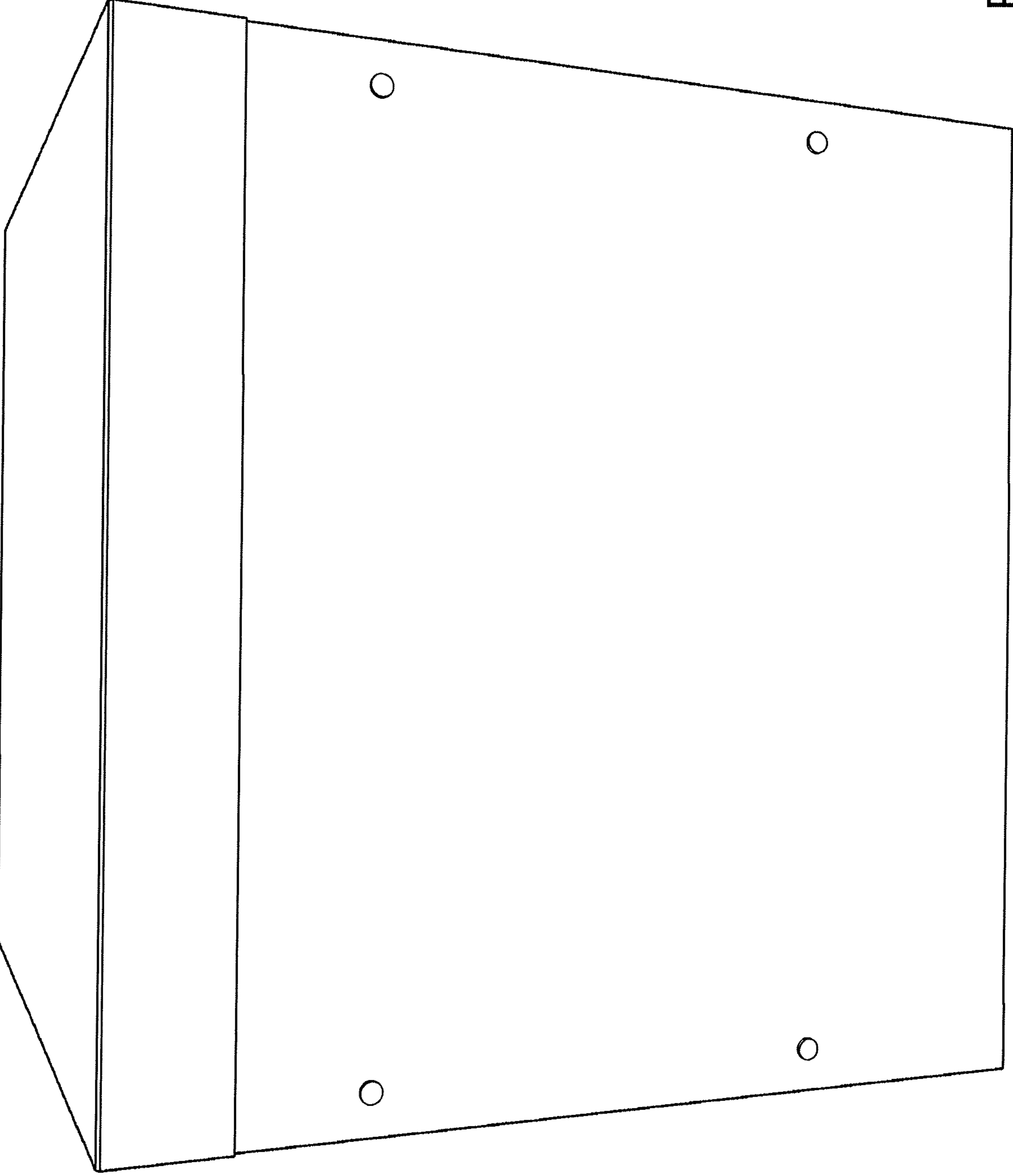


FIG. 4

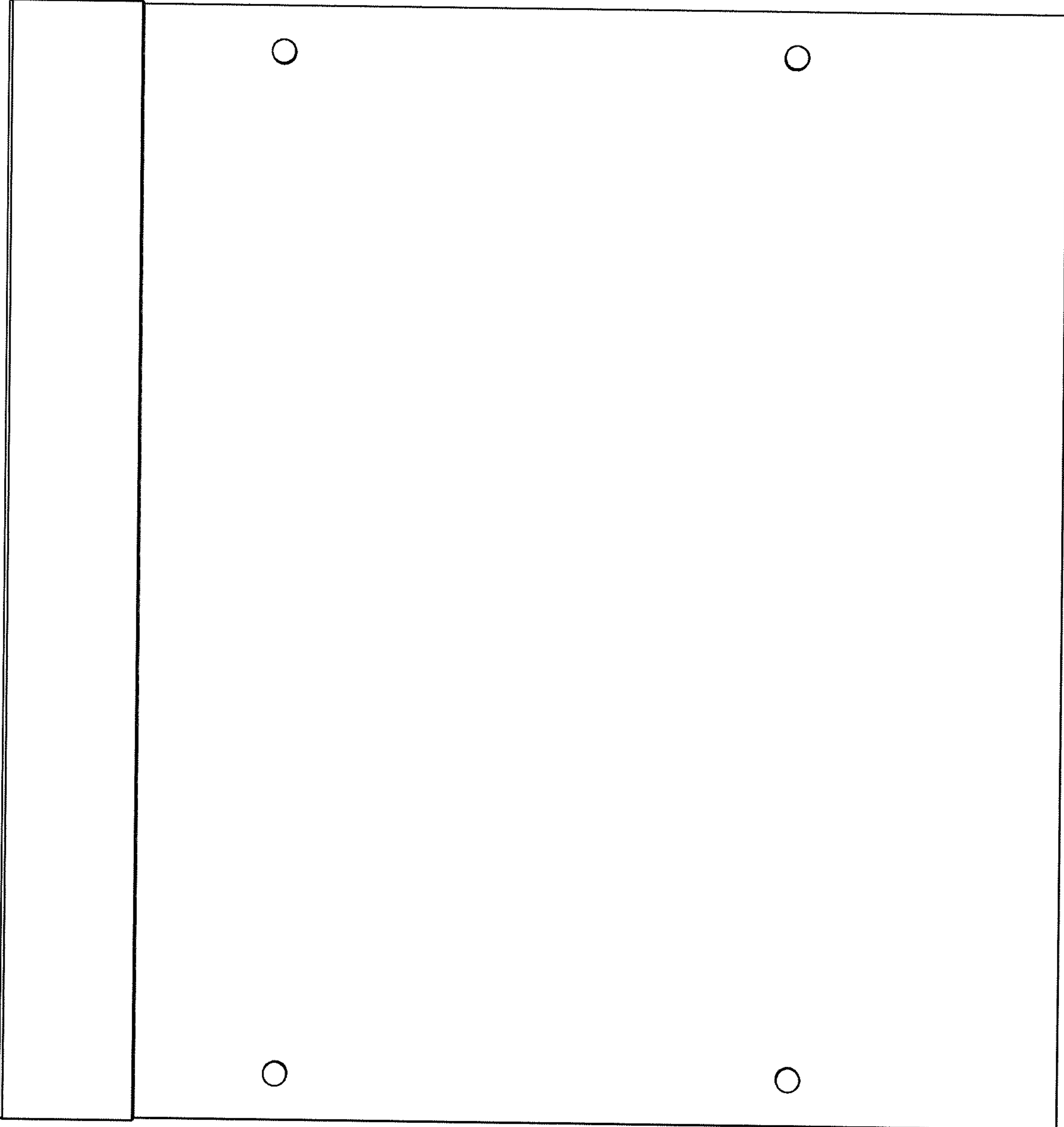


FIG. 5

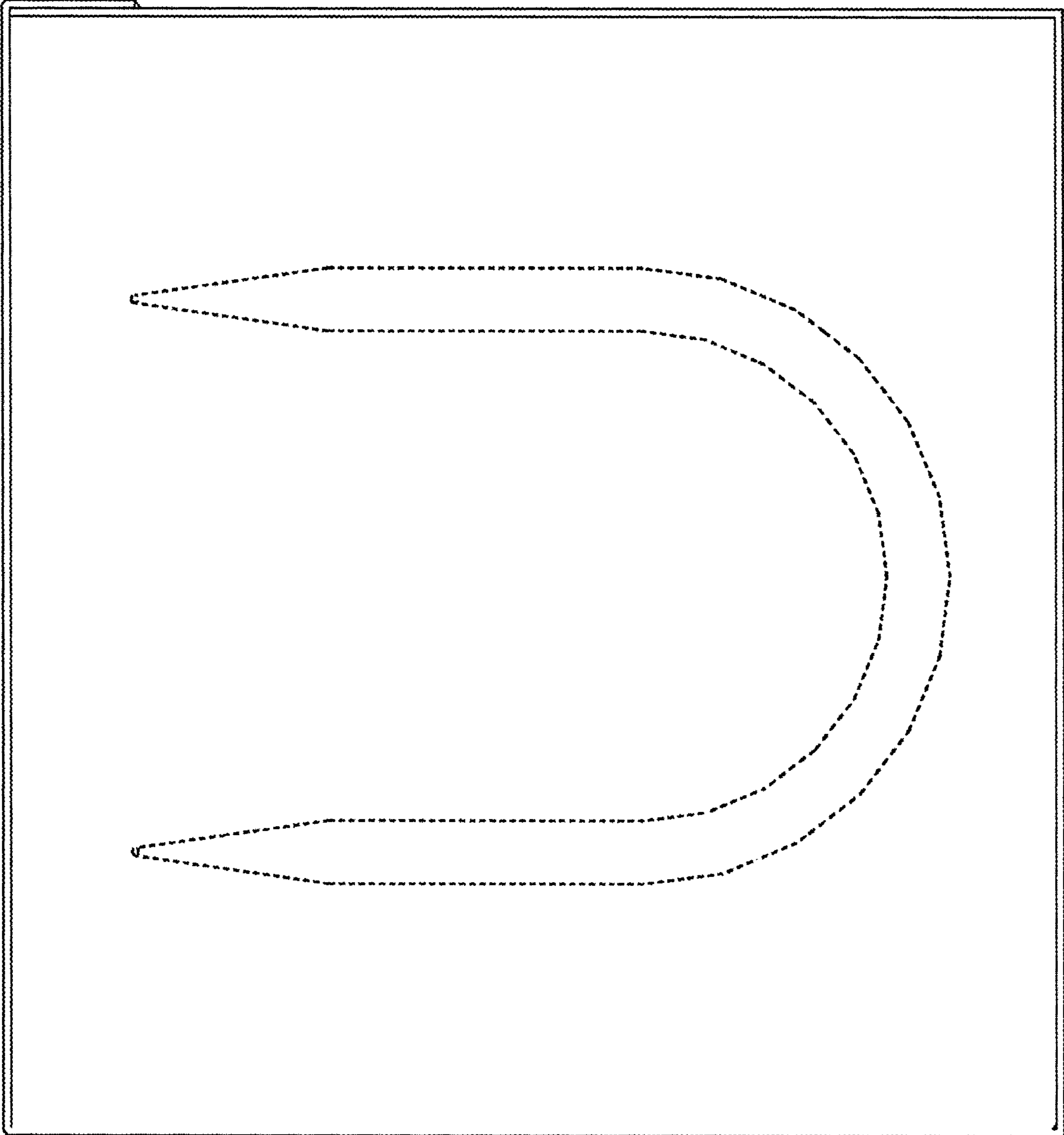


FIG. 6

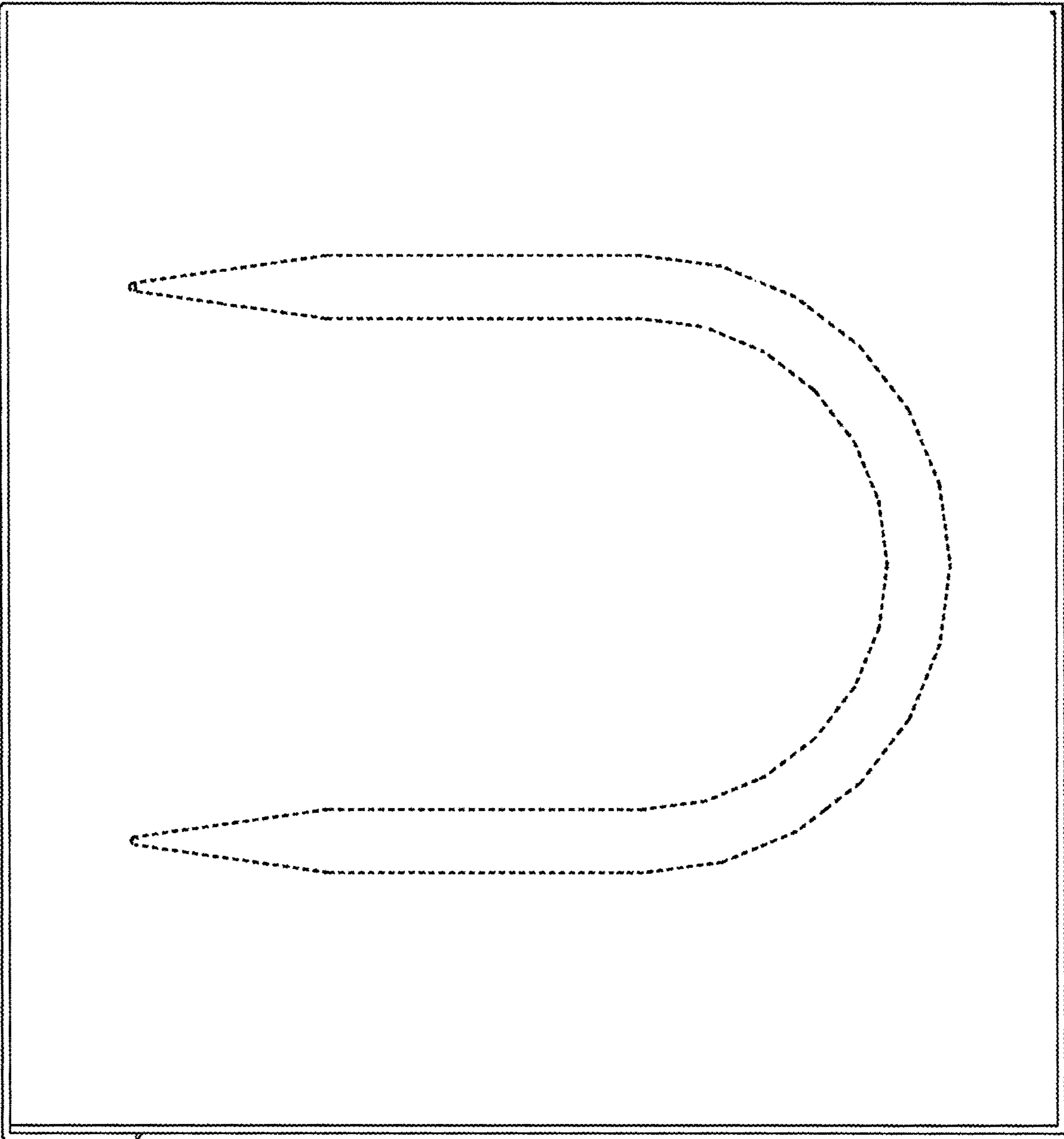


FIG. 7

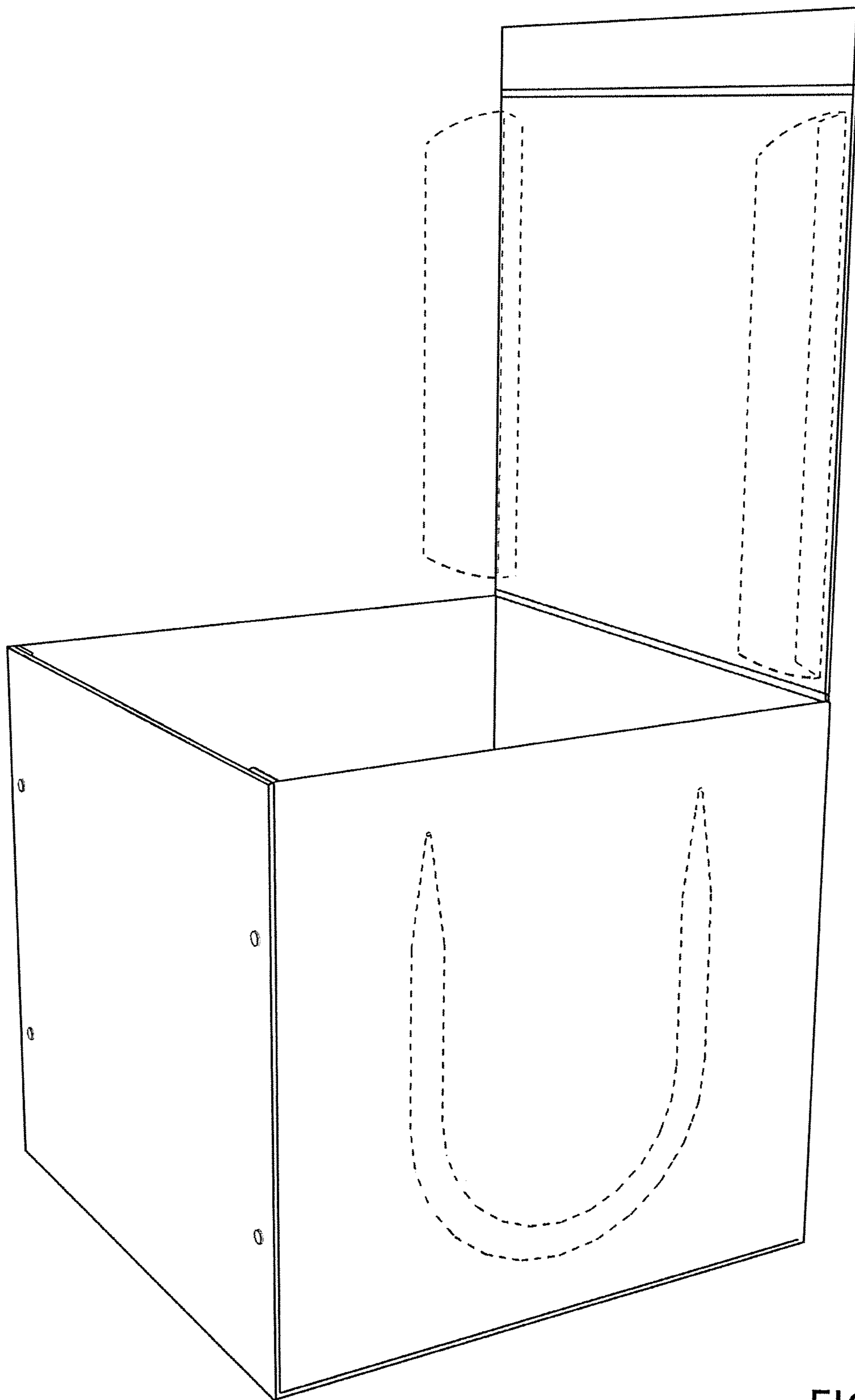


FIG. 8

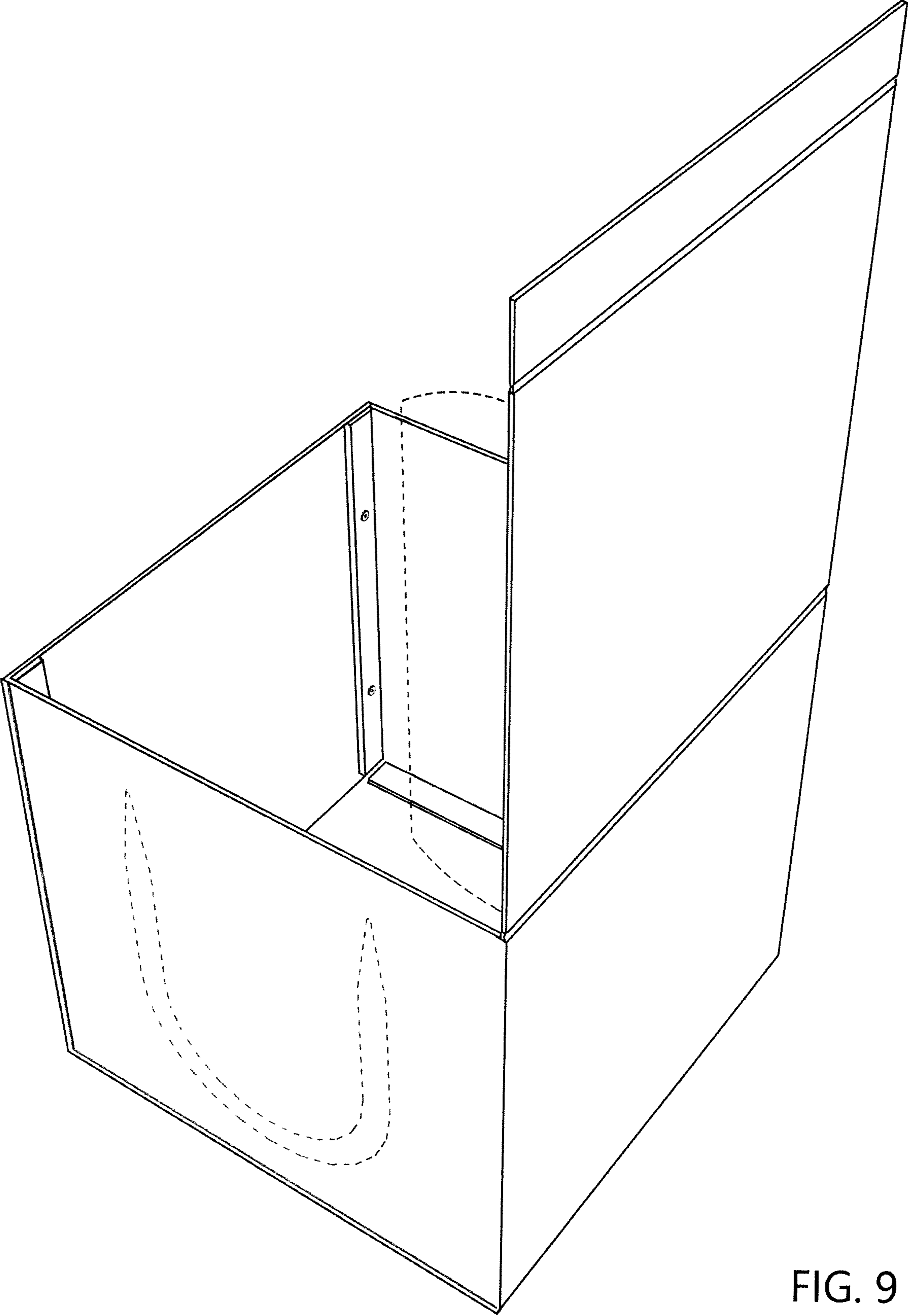


FIG. 9

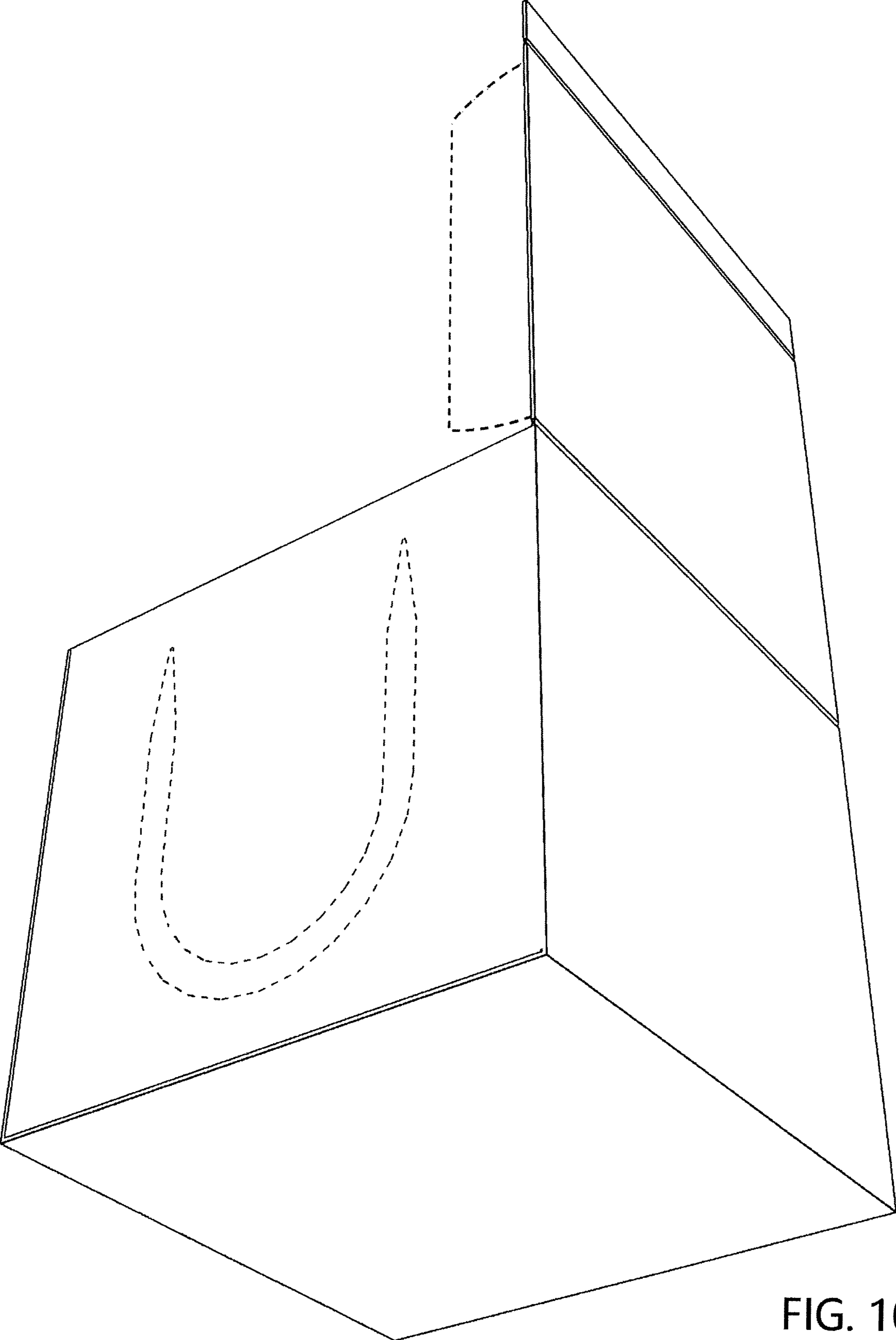


FIG. 10

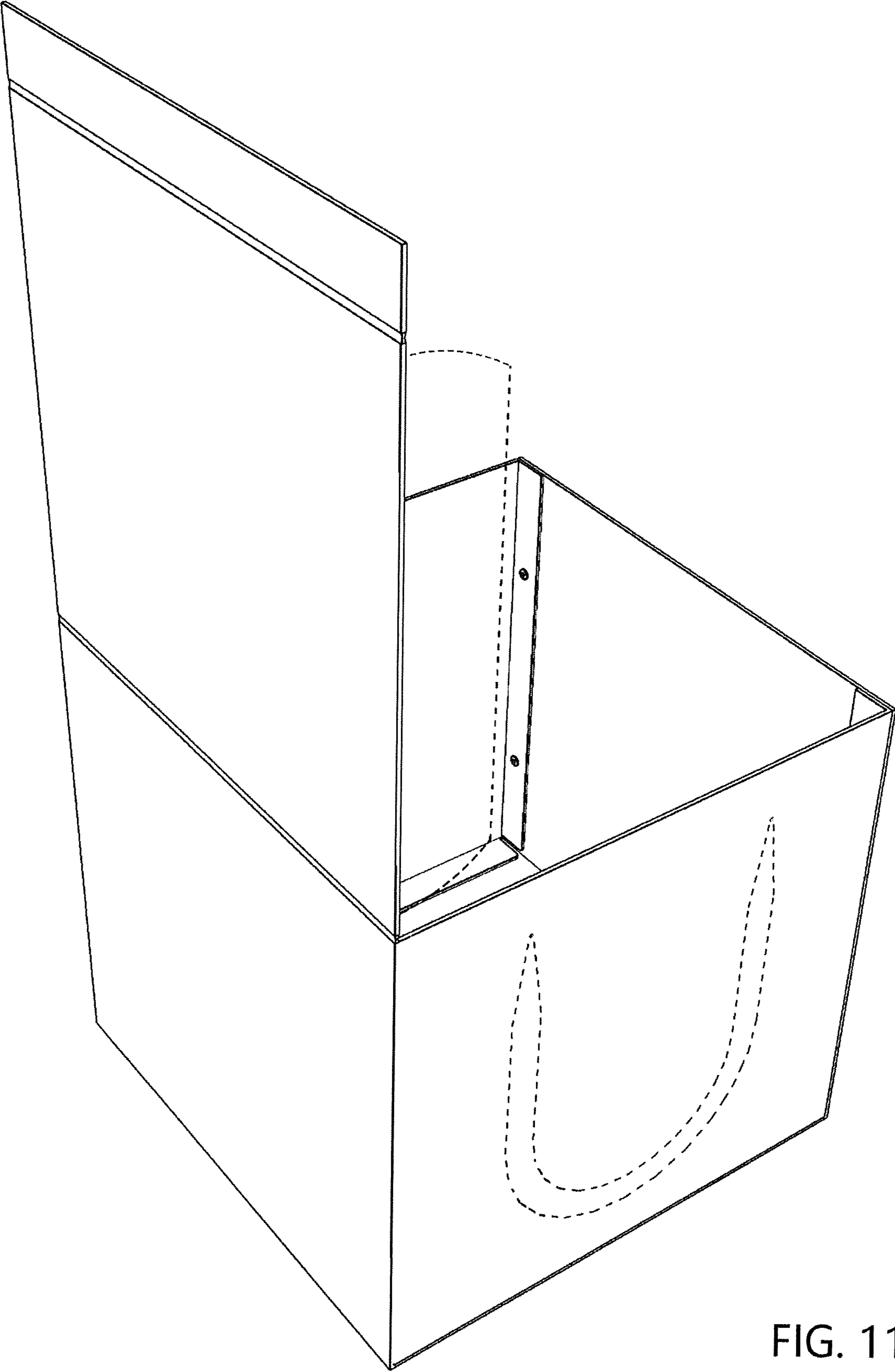


FIG. 11

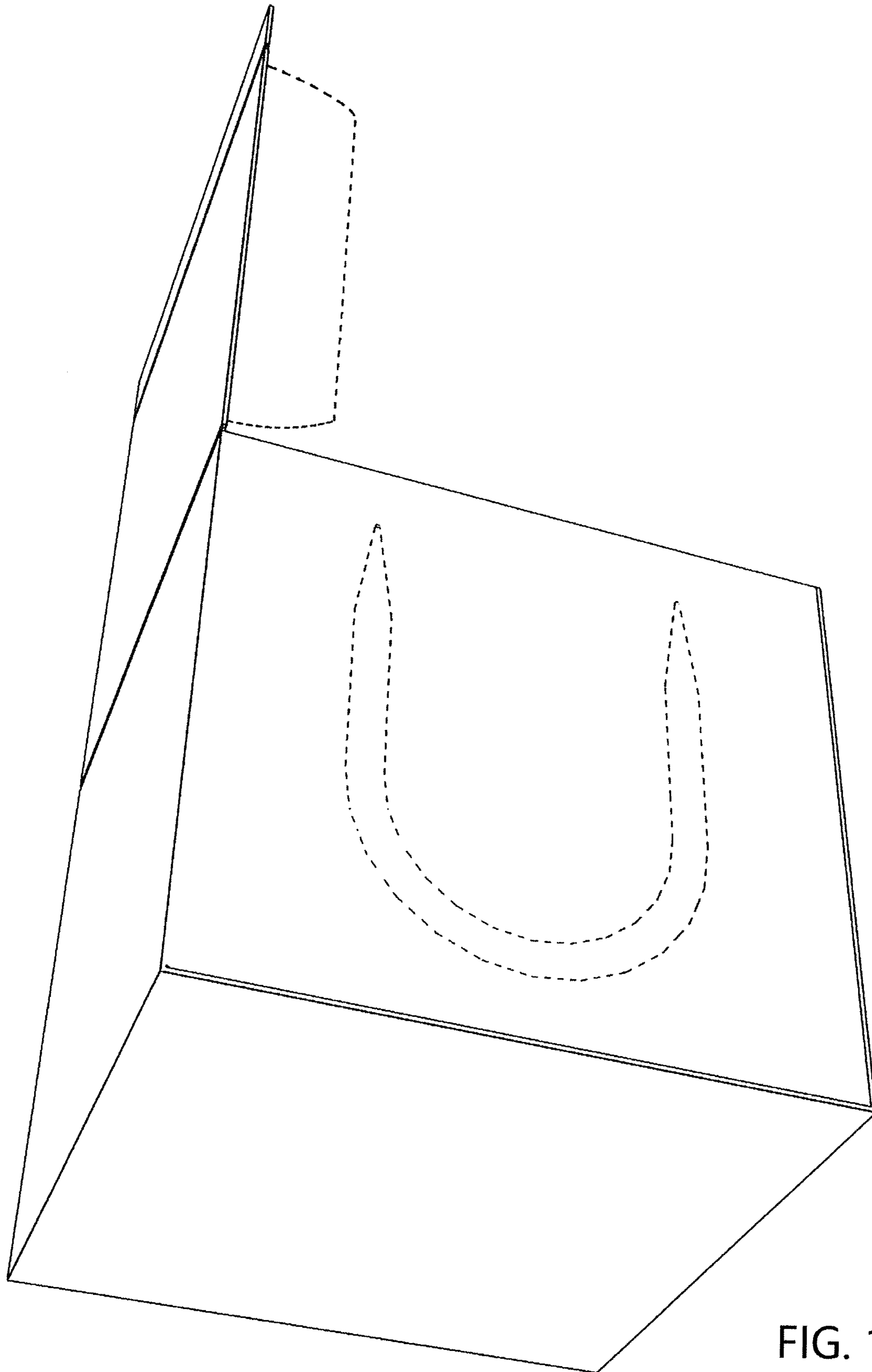


FIG. 12

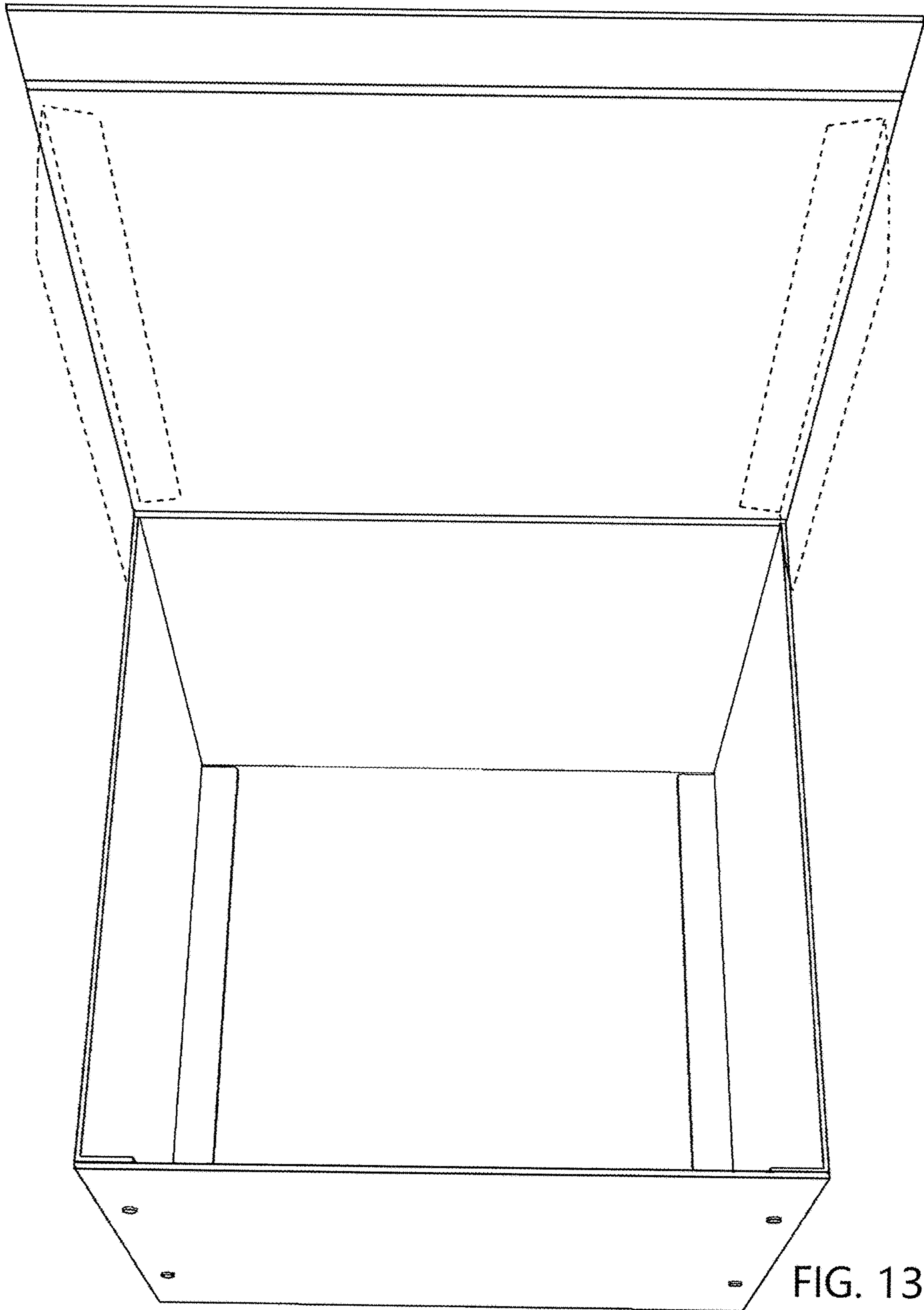


FIG. 13

FIG. 14

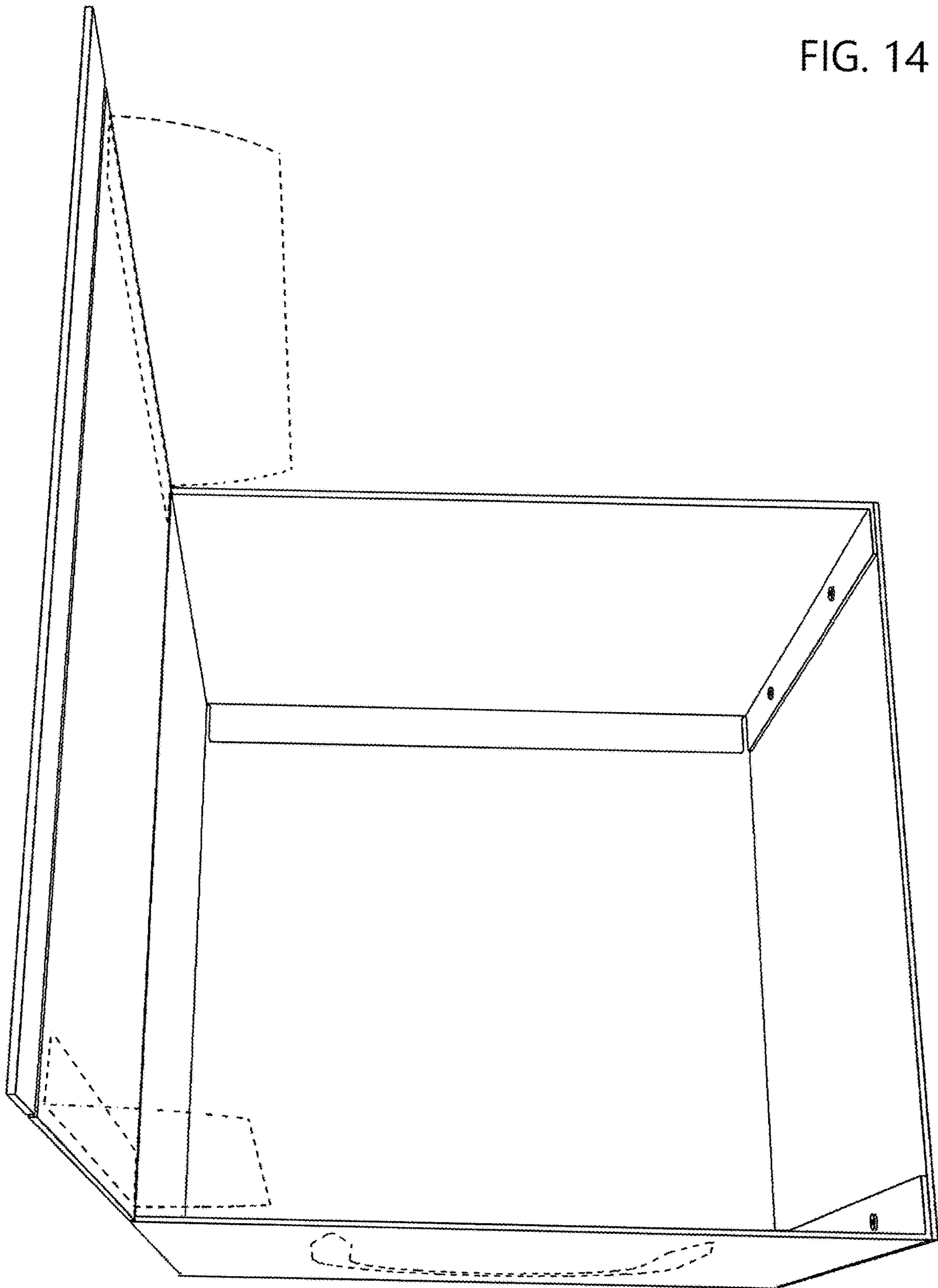
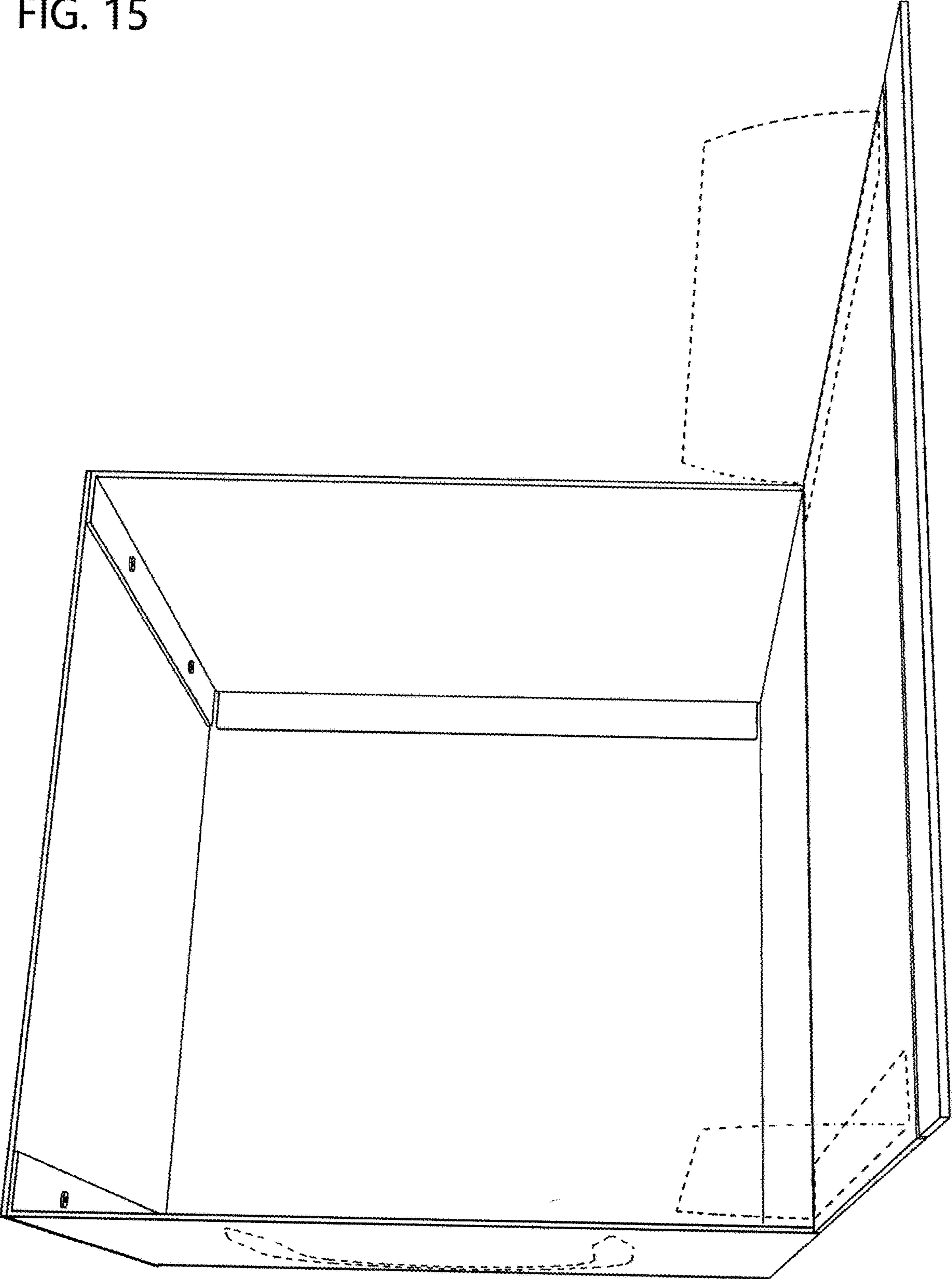


FIG. 15



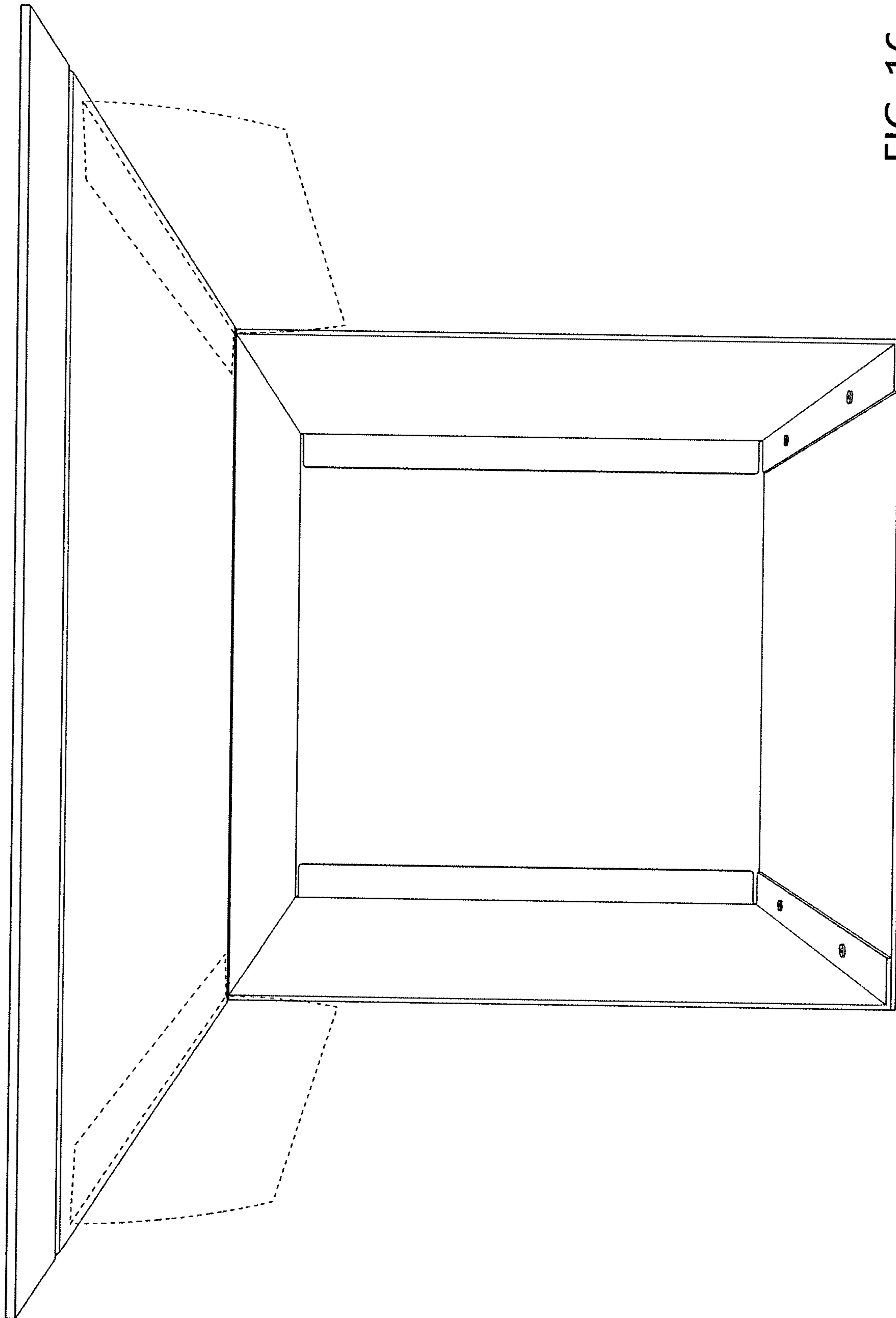


FIG. 16

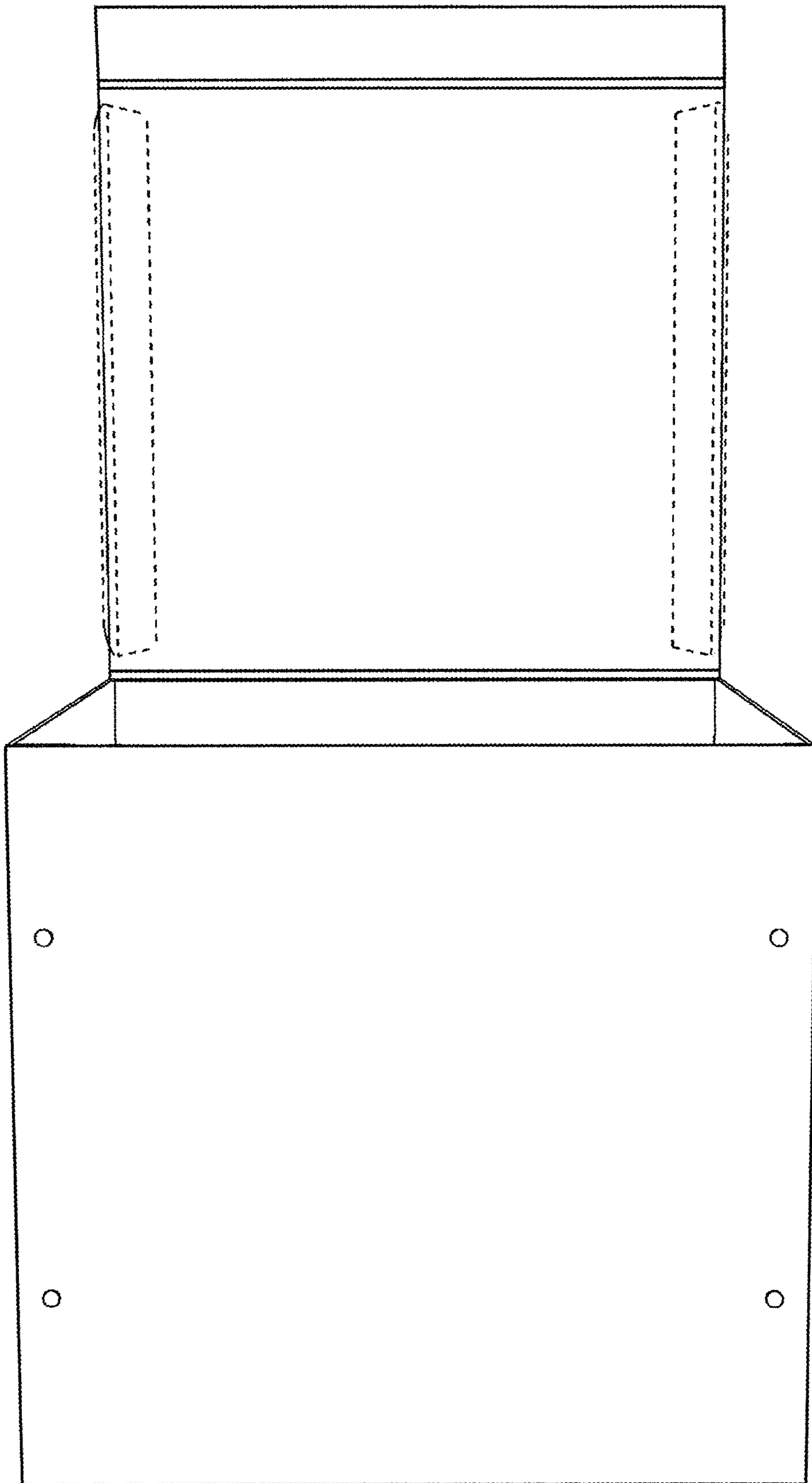


FIG. 17

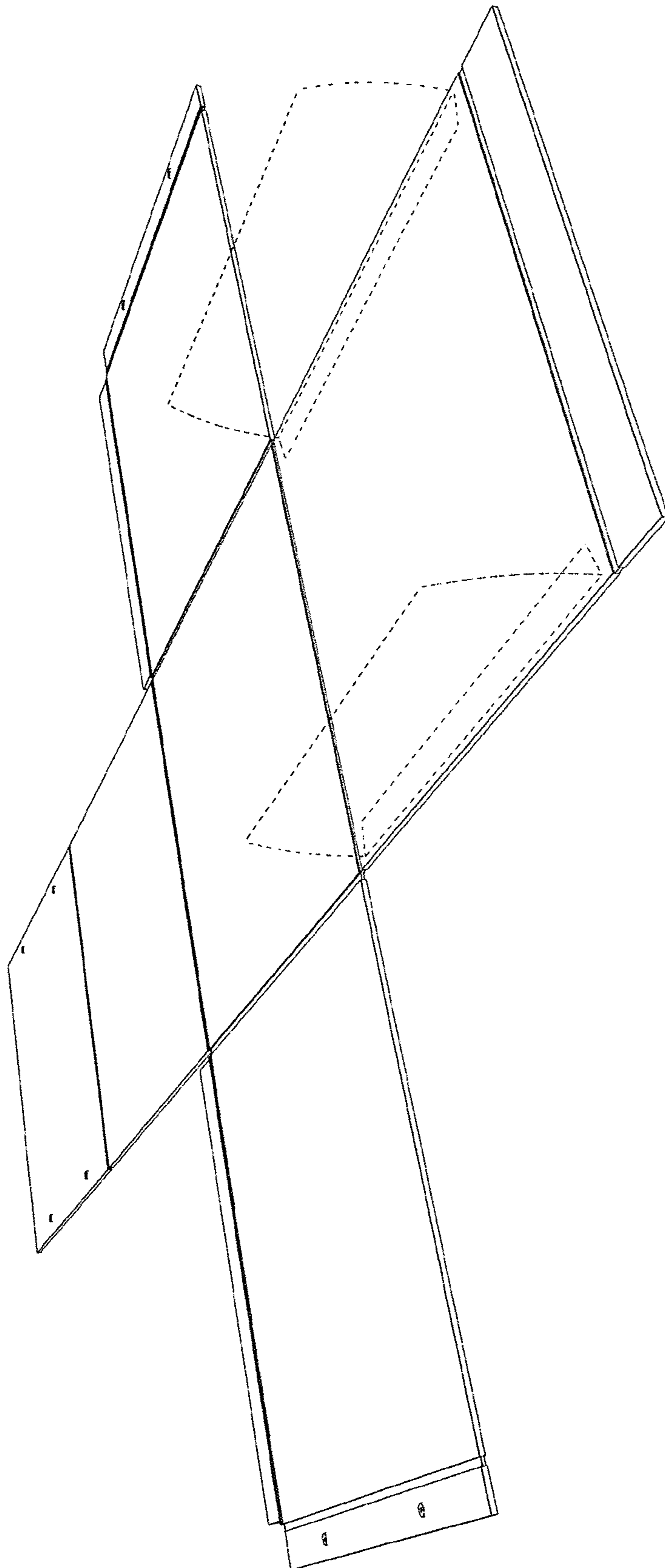


FIG. 18

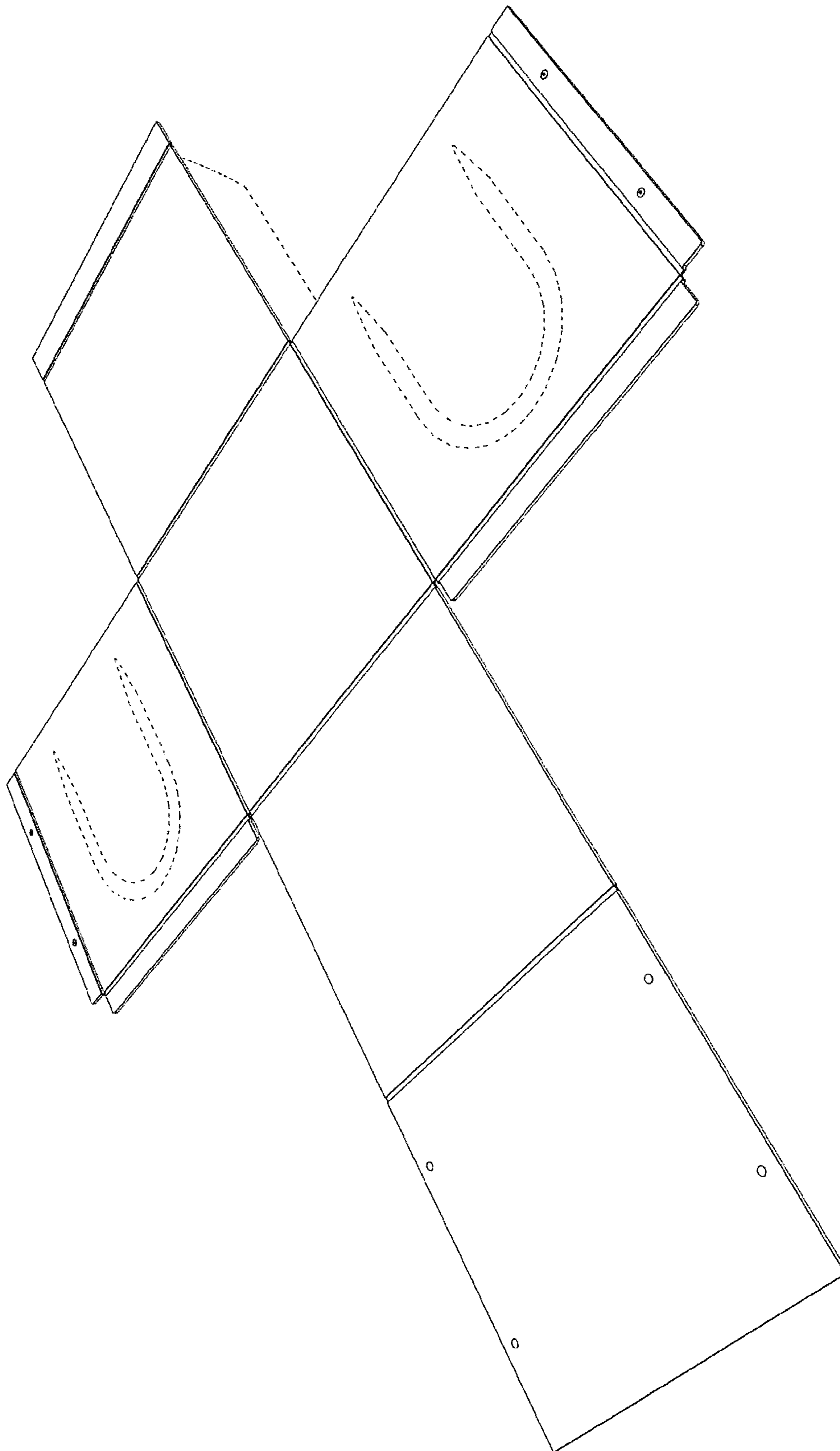


FIG. 19

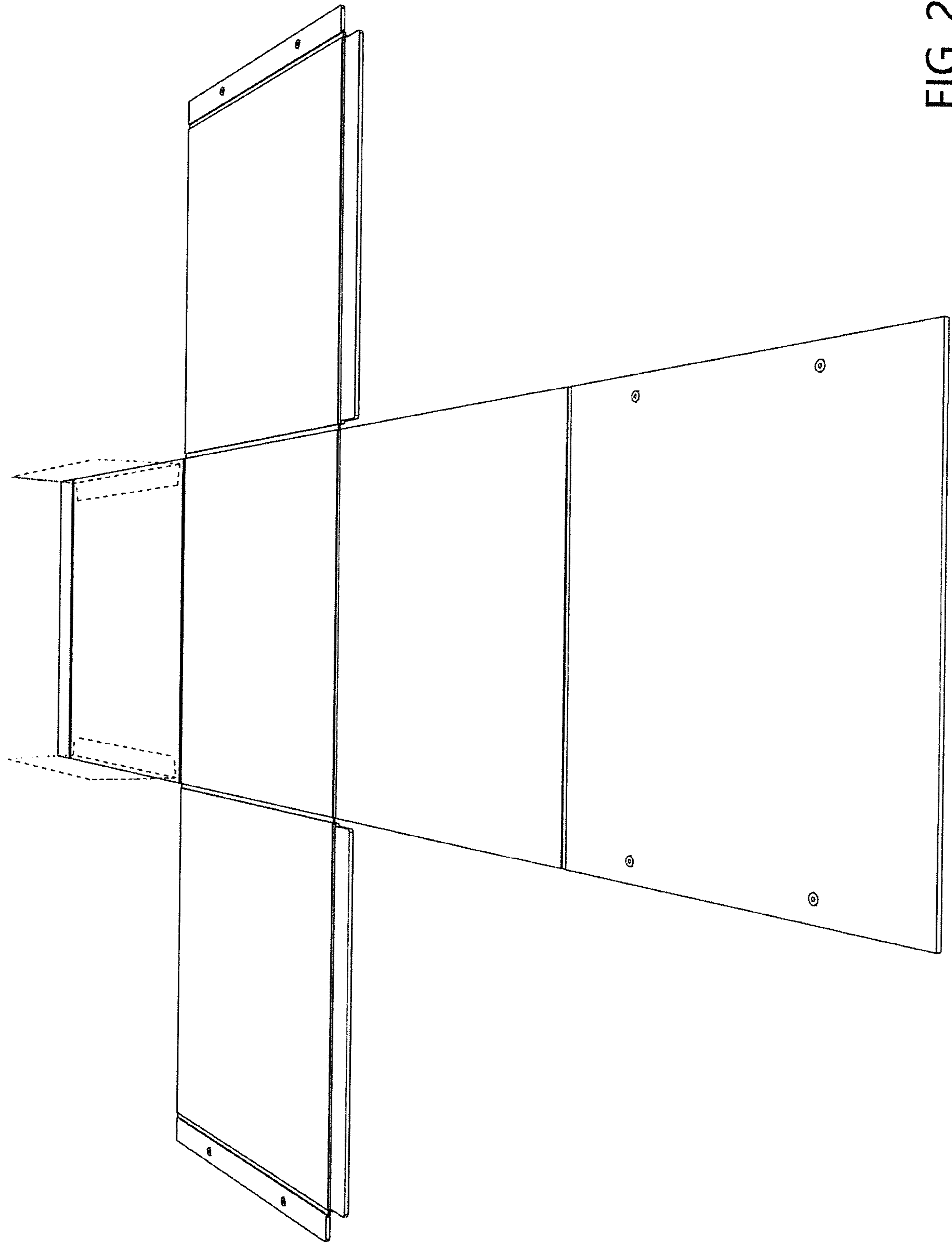


FIG. 20

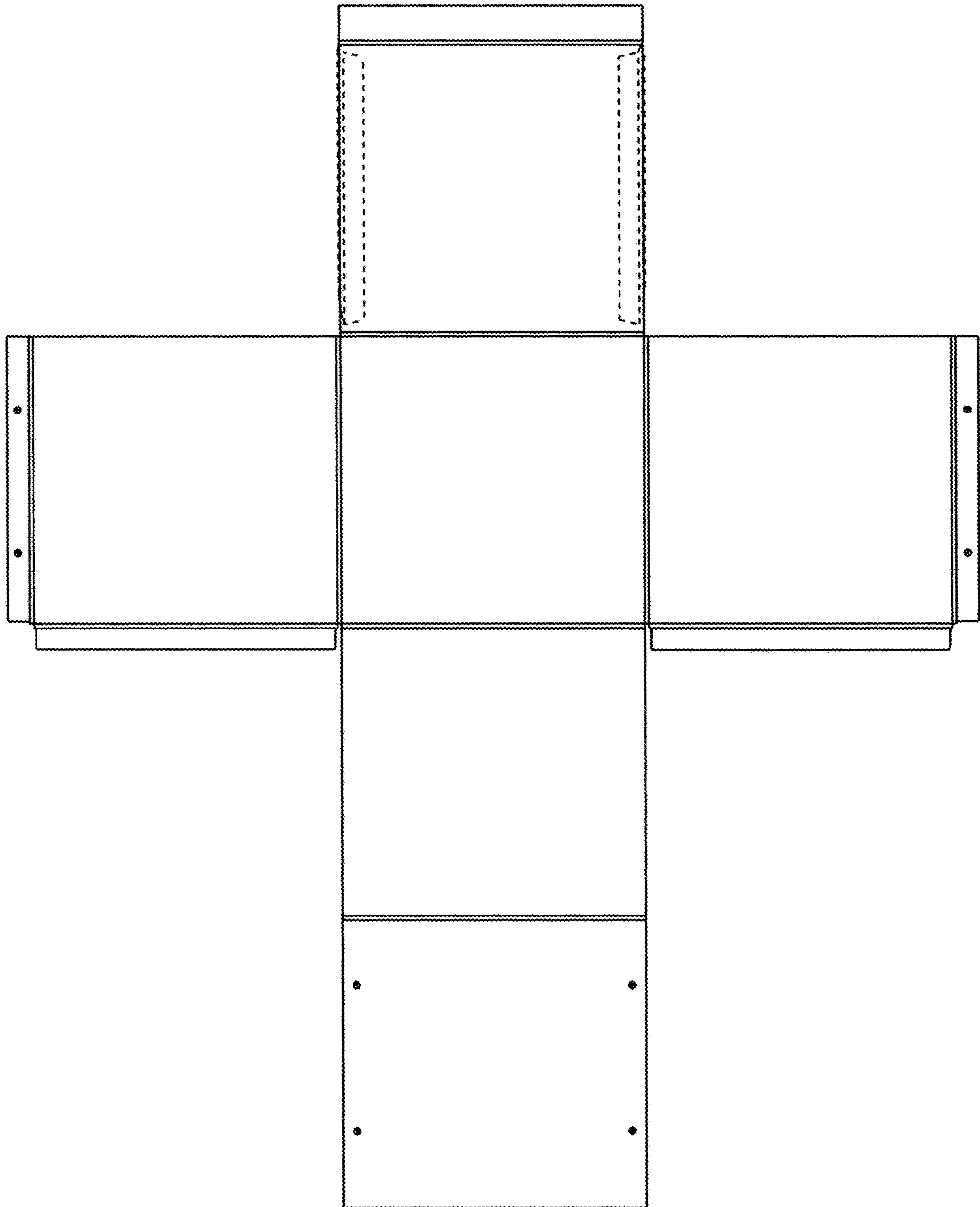


FIG. 21

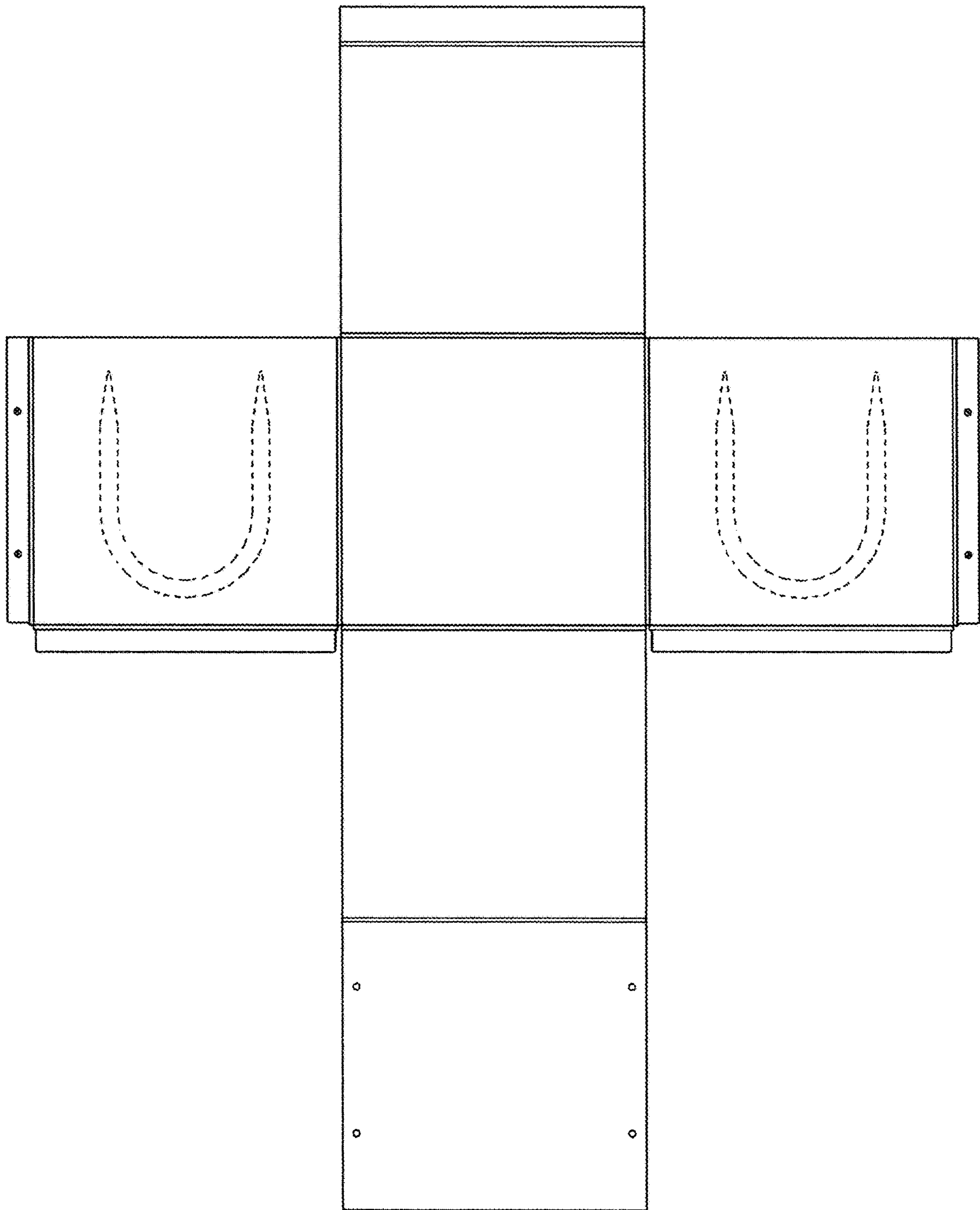


FIG. 22