



US00D888548S

(12) **United States Design Patent**  
**Hietanen et al.**

(10) **Patent No.:** **US D888,548 S**  
(45) **Date of Patent:** **\*\* Jun. 30, 2020**

(54) **LARGE FOLDABLE SNAP BOX**

(74) *Attorney, Agent, or Firm* — Fay Sharpe LLP

(71) Applicant: **IdeaStream Consumer Products, LLC**, Cleveland, OH (US)

(57) **CLAIM**

The ornamental design for a large foldable snap box, as shown and described.

(72) Inventors: **Benjamin Hietanen**, Mentor, OH (US);  
**Ashlee Hietanen**, Mentor, OH (US);  
**Daniel Perella**, Cleveland, OH (US);  
**Yanhong Shuai**, Shenzhen (CN);  
**Youfang Xu**, Shenzhen (CN)

**DESCRIPTION**

(73) Assignee: **IdeaStream Consumer Products, LLC**, Cleveland, OH (US)

FIG. 1 is a front isometric view of a large foldable snap box showing the claimed design, with a closed lid;  
FIG. 2 is a rear isometric view of the large foldable snap box in FIG. 1;

(\*\*) Term: **15 Years**

FIG. 3 is a bottom perspective view of the large foldable snap box in FIG. 1;

(21) Appl. No.: **29/666,576**

FIG. 4 is a front perspective view of the large foldable snap box in FIG. 1;

(22) Filed: **Oct. 15, 2018**

FIG. 5 is a front view of the large foldable snap box in FIG. 1;

(51) **LOC (12) Cl.** ..... **09-03**

FIG. 6 is a left side view of the large foldable snap box in FIG. 1;

(52) **U.S. Cl.**

USPC ..... **D9/432; D9/433**

FIG. 7 is a right side view of the large foldable snap box in FIG. 1;

(58) **Field of Classification Search**

USPC ..... D9/414–423, 424–429, 430–433, 434,  
D9/456, 457, 711, 713, 721–722, 737;  
D3/272–274, 290, 304, 305, 315

FIG. 8 is a front isometric view of a large foldable snap box with an open lid;

(Continued)

FIG. 9 is a right side rear isometric view of the large foldable snap box in FIG. 8;

(56) **References Cited**

**U.S. PATENT DOCUMENTS**

2,989,226 A \* 6/1961 Swartz ..... B65D 11/188  
229/125.19

D311,686 S \* 10/1990 Tozawa ..... D9/423  
(Continued)

FIG. 10 is a right side bottom perspective view of the large foldable snap box in FIG. 8;

FIG. 11 is a left side rear isometric view of the large foldable snap box in FIG. 8;

**OTHER PUBLICATIONS**

Snap-N-Store Supply Box, 2.5"x5.5"x8.5", Black & White Polka Dots (SNS03323). [online] First available Jun. 12, 2017. Retrieved from URL: [https://www.amazon.com/dp/B071WBSSLK/ref=emc\\_b\\_5\\_i.\\*](https://www.amazon.com/dp/B071WBSSLK/ref=emc_b_5_i.*)

FIG. 12 is a left side bottom perspective view of the large foldable snap box in FIG. 8;

FIG. 13 is a top perspective view of the large foldable snap box in FIG. 8;

FIG. 14 is a left side perspective view of the large foldable snap box in FIG. 8;

FIG. 15 is a right side perspective view of the large foldable snap box in FIG. 8;

FIG. 16 is a top view of the large foldable snap box in FIG. 8;

FIG. 17 is a front perspective view of the large foldable snap box in FIG. 8;

(Continued)

*Primary Examiner* — Vy N Koenig

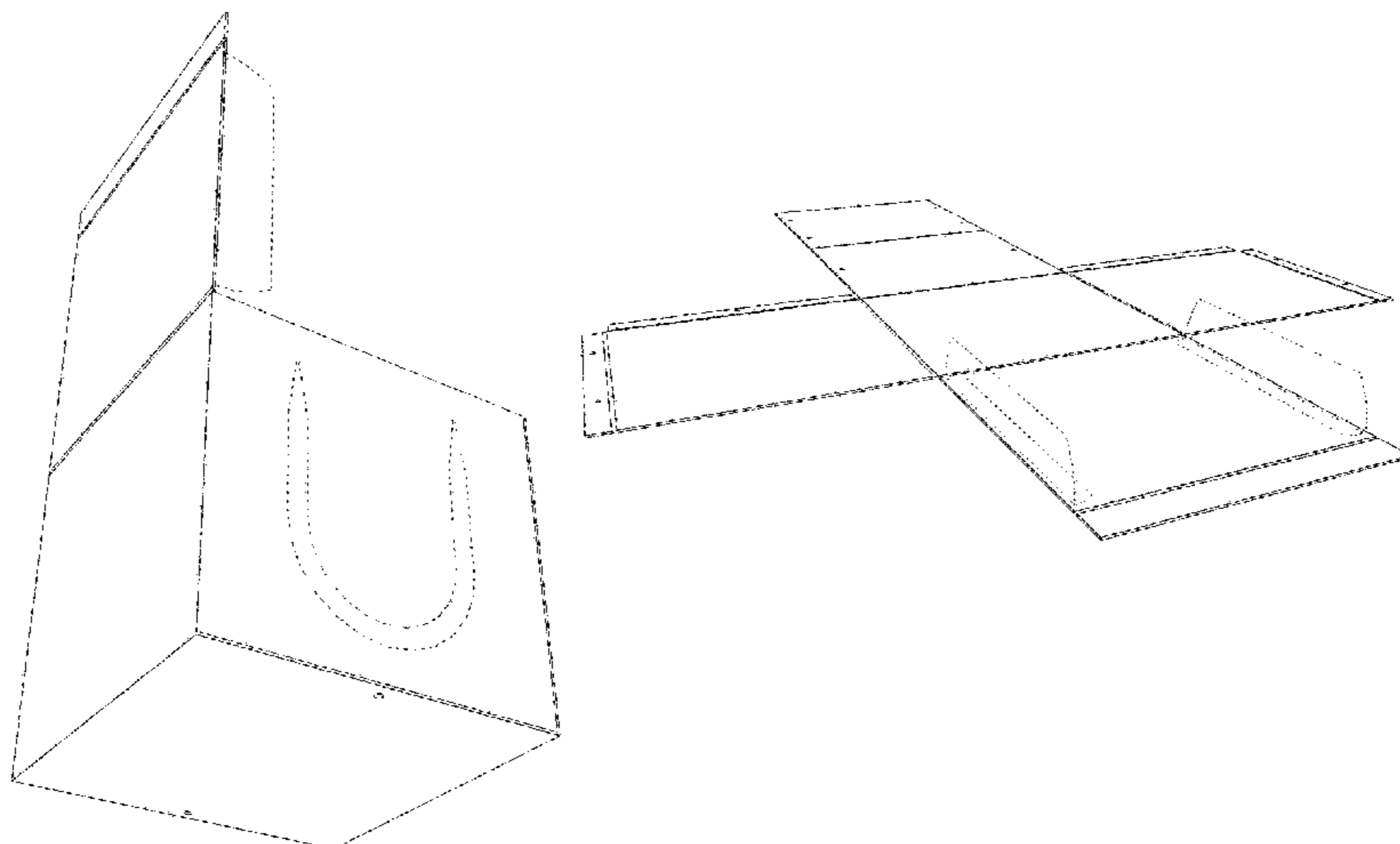


FIG. 18 is a back side rear isometric view of a large foldable snap box in an unfolded configuration and showing what becomes the interior portions of the box when folded;  
 FIG. 19 is a front side isometric view of the large foldable snap box of FIG. 18 showing what becomes the exterior portions of the box when folded;  
 FIG. 20 is a front side perspective view of the large foldable snap box of FIG. 18;  
 FIG. 21 is a top view of the large foldable snap box of FIG. 18; and,  
 FIG. 22 is a bottom view of the large foldable snap box of FIG. 19.  
 The broken lines in the figures depict environmental subject matter and form no part of the claimed design.

**1 Claim, 22 Drawing Sheets**

(58) **Field of Classification Search**

CPC ... B65D 5/00; B65D 5/02; B65D 5/18; B65D 5/20

See application file for complete search history.

(56)

**References Cited**

U.S. PATENT DOCUMENTS

D394,383	S *	5/1998	Bradfield	.....	D9/416
D456,709	S *	5/2002	Dionisio	.....	D9/721
D493,618	S *	8/2004	DeCarlo	.....	D3/283
7,044,277	B2 *	5/2006	Redzisz	.....	A45C 7/0077 190/107
7,188,713	B1 *	3/2007	Espar	.....	A45C 7/0095 190/107
7,938,084	B2 *	5/2011	Scott	.....	A01K 5/01 119/65
D688,459	S *	8/2013	Schmidt	.....	D3/304
D741,165	S *	10/2015	Yassin	.....	D9/414
D844,327	S *	4/2019	Valks	.....	D3/290
D859,976	S *	9/2019	Gales	.....	D9/420
2006/0273144	A1 *	12/2006	Chen	.....	B65D 15/22 229/122
2018/0178971	A1 *	6/2018	Moon	.....	B65D 85/67
2018/0222625	A1 *	8/2018	Perella	.....	B65D 5/4283

\* cited by examiner

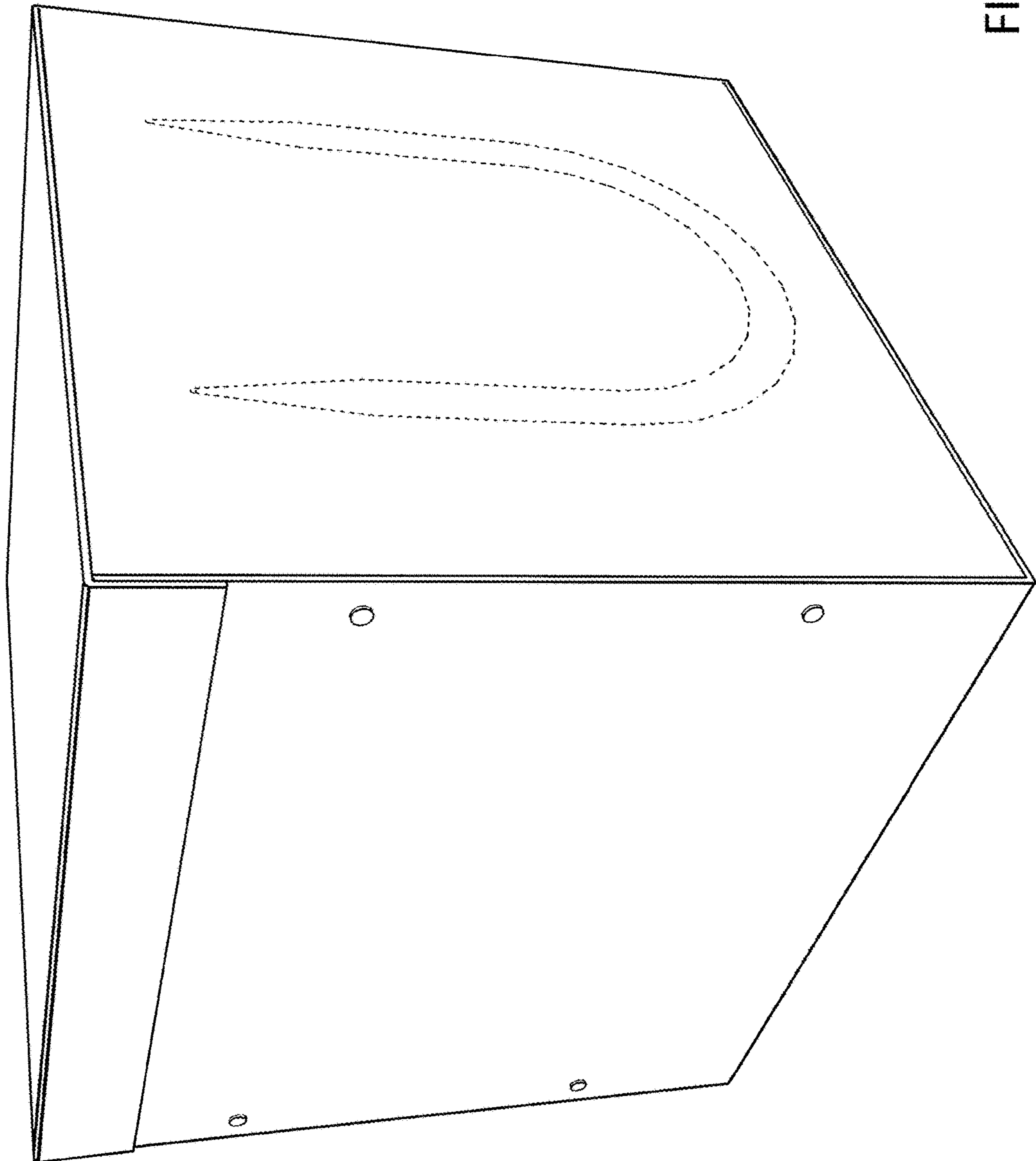


FIG. 1

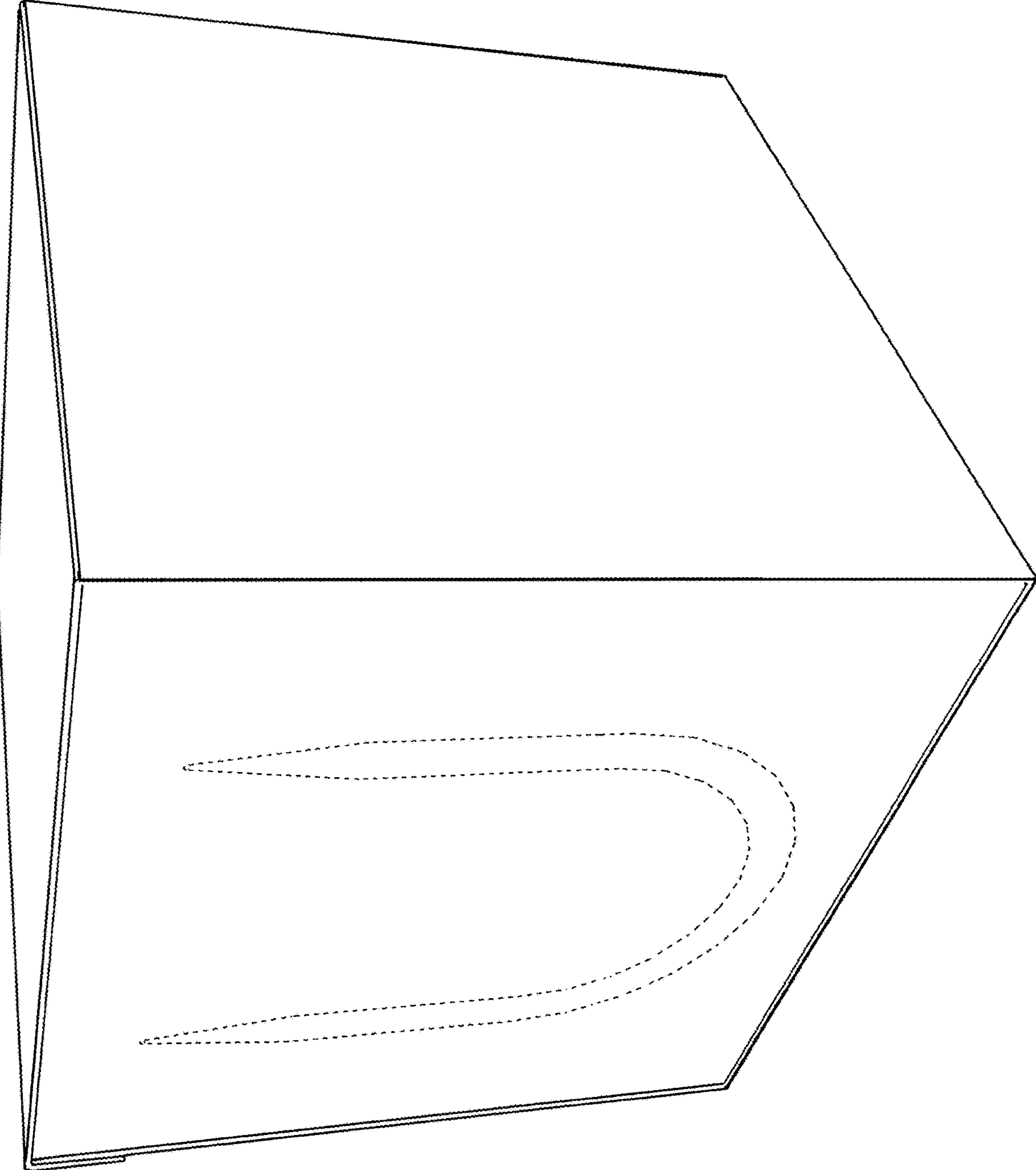


FIG. 2

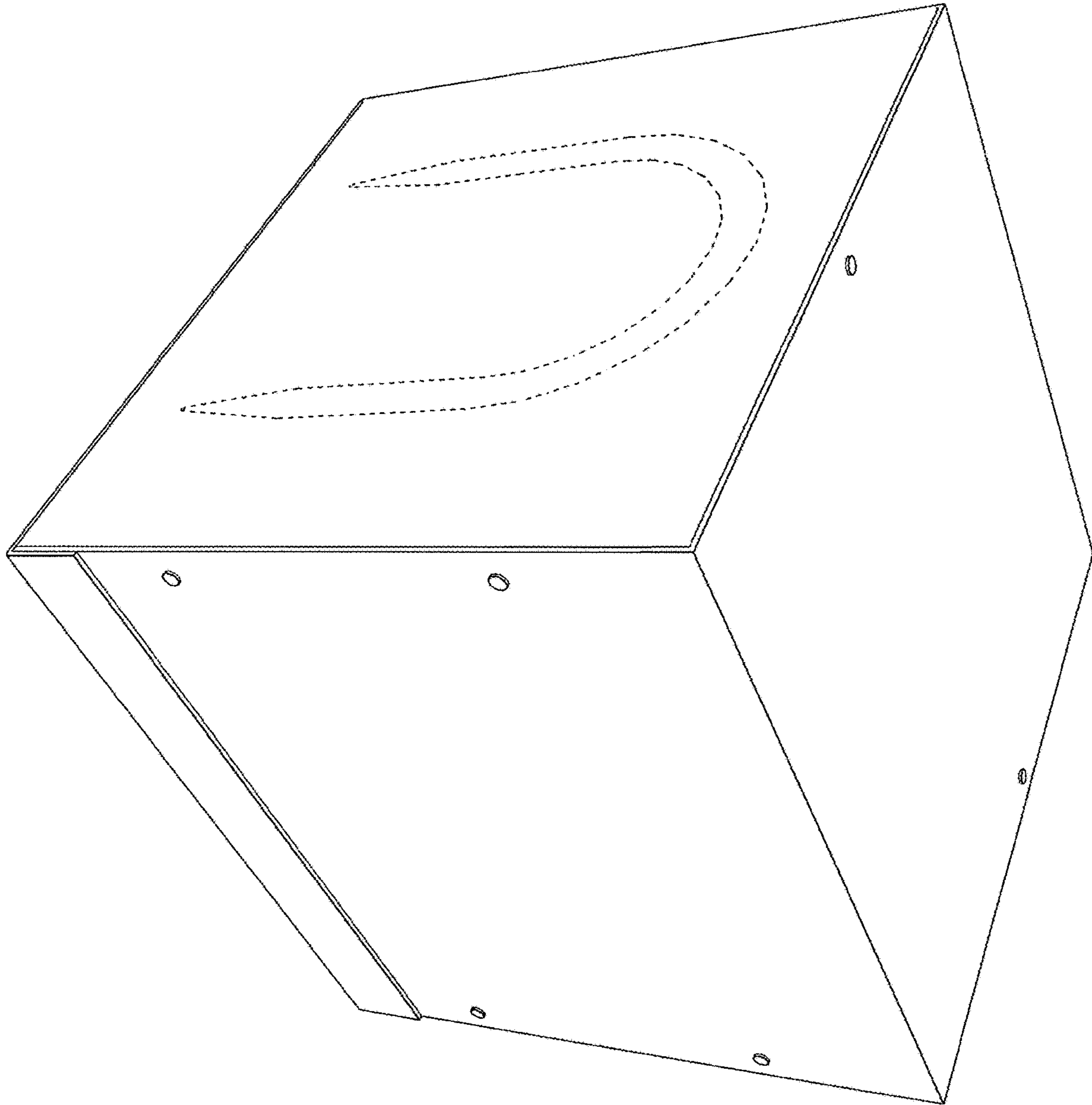


FIG. 3

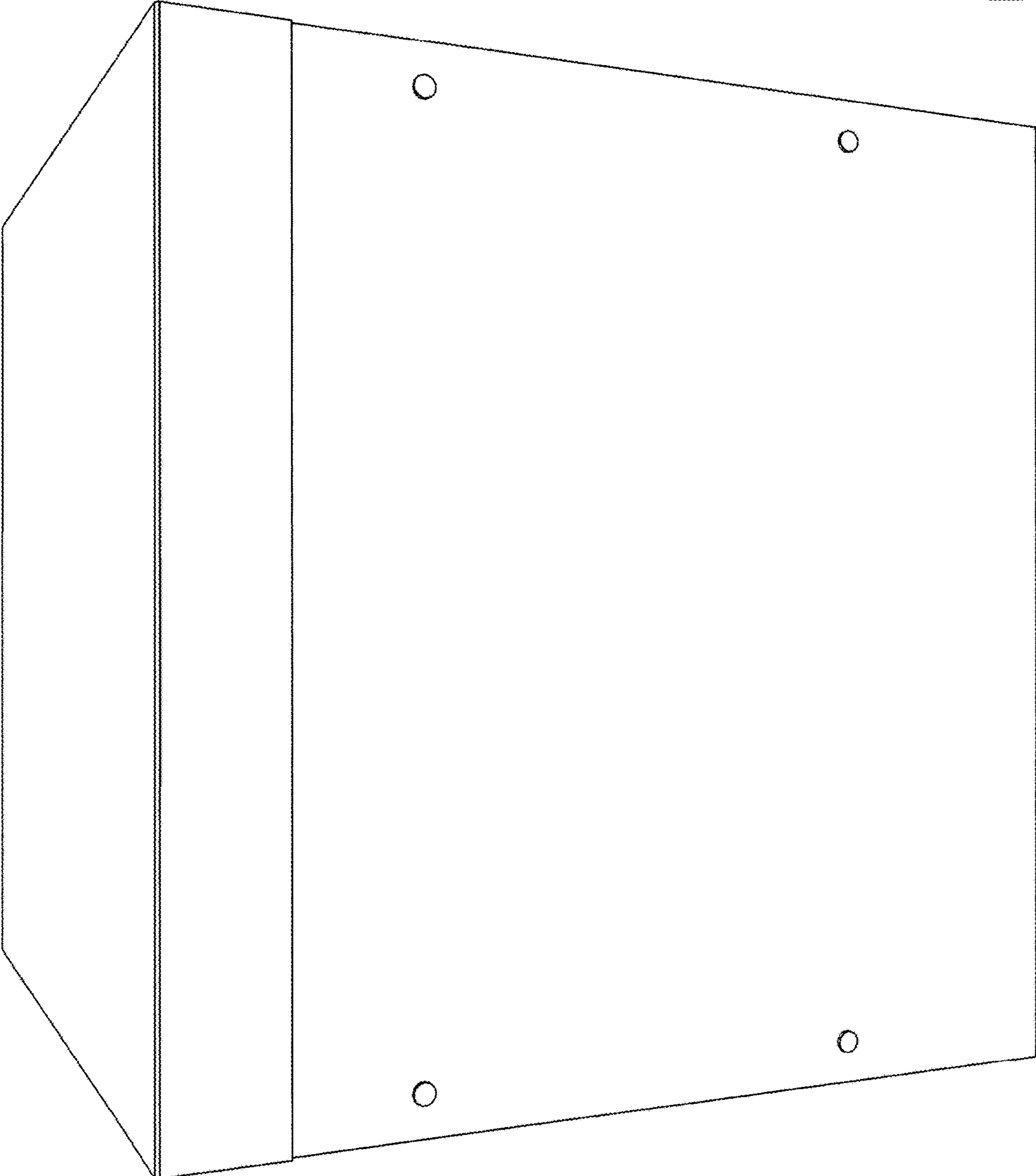


FIG. 4

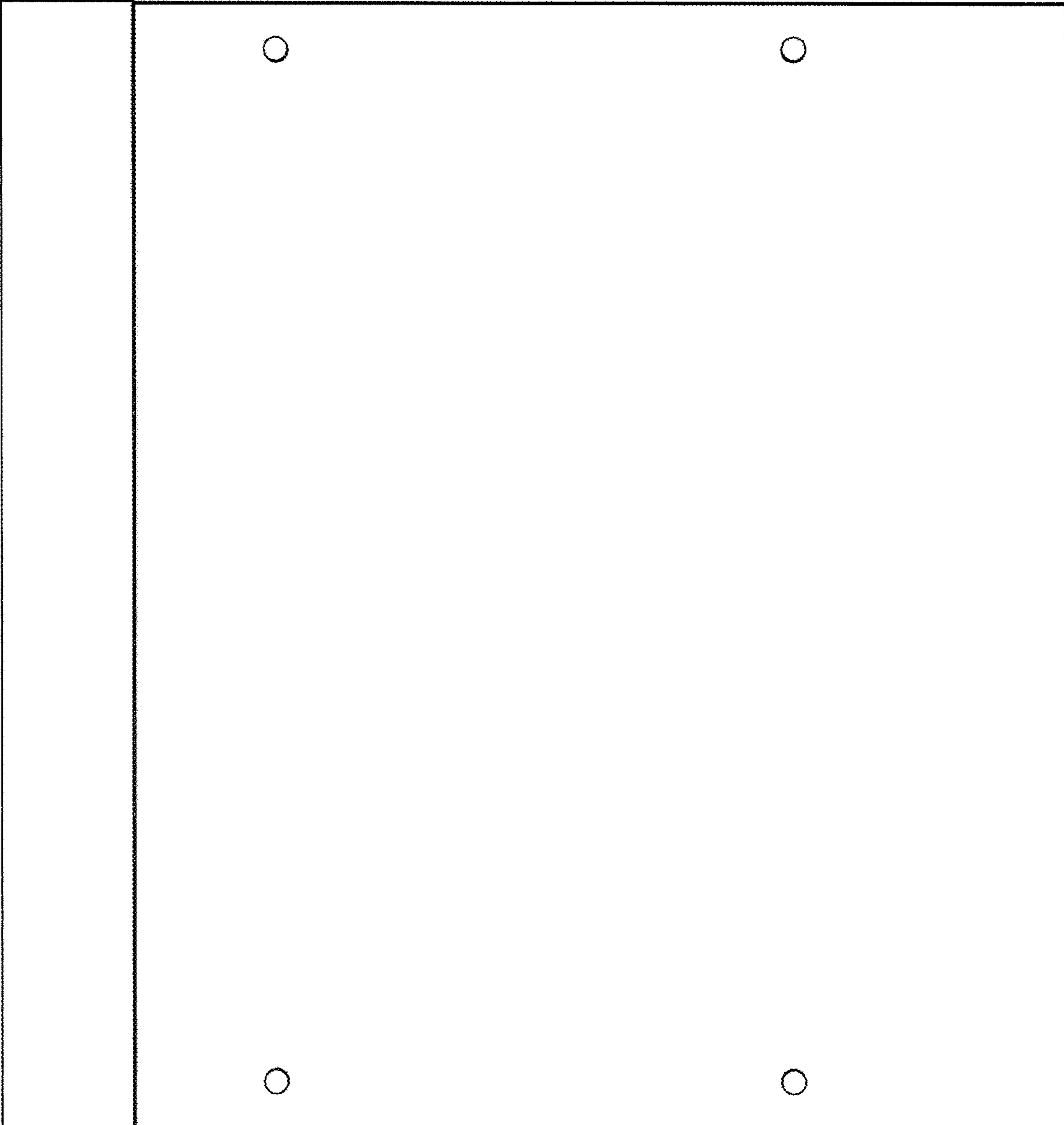


FIG. 5

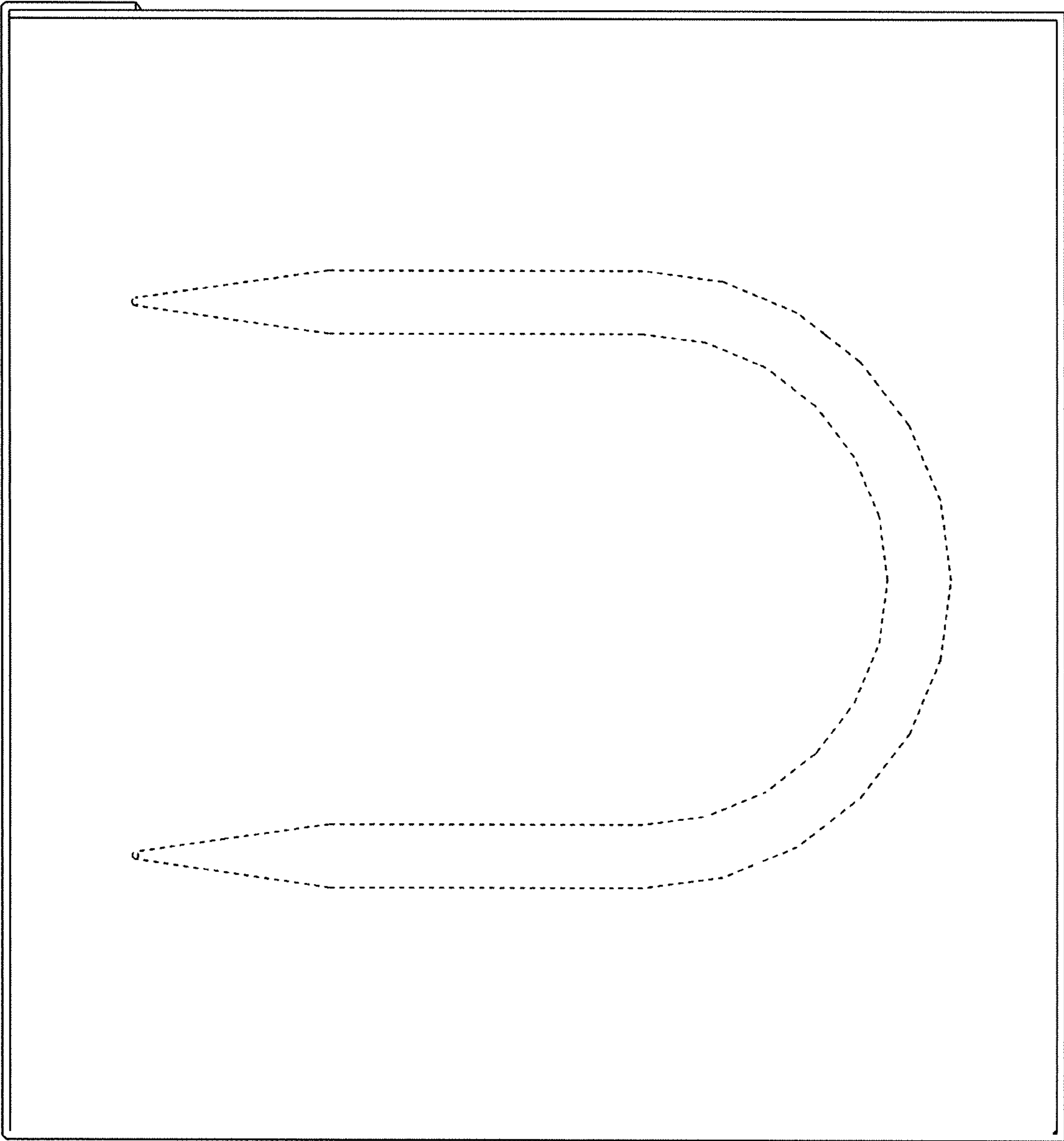


FIG. 6



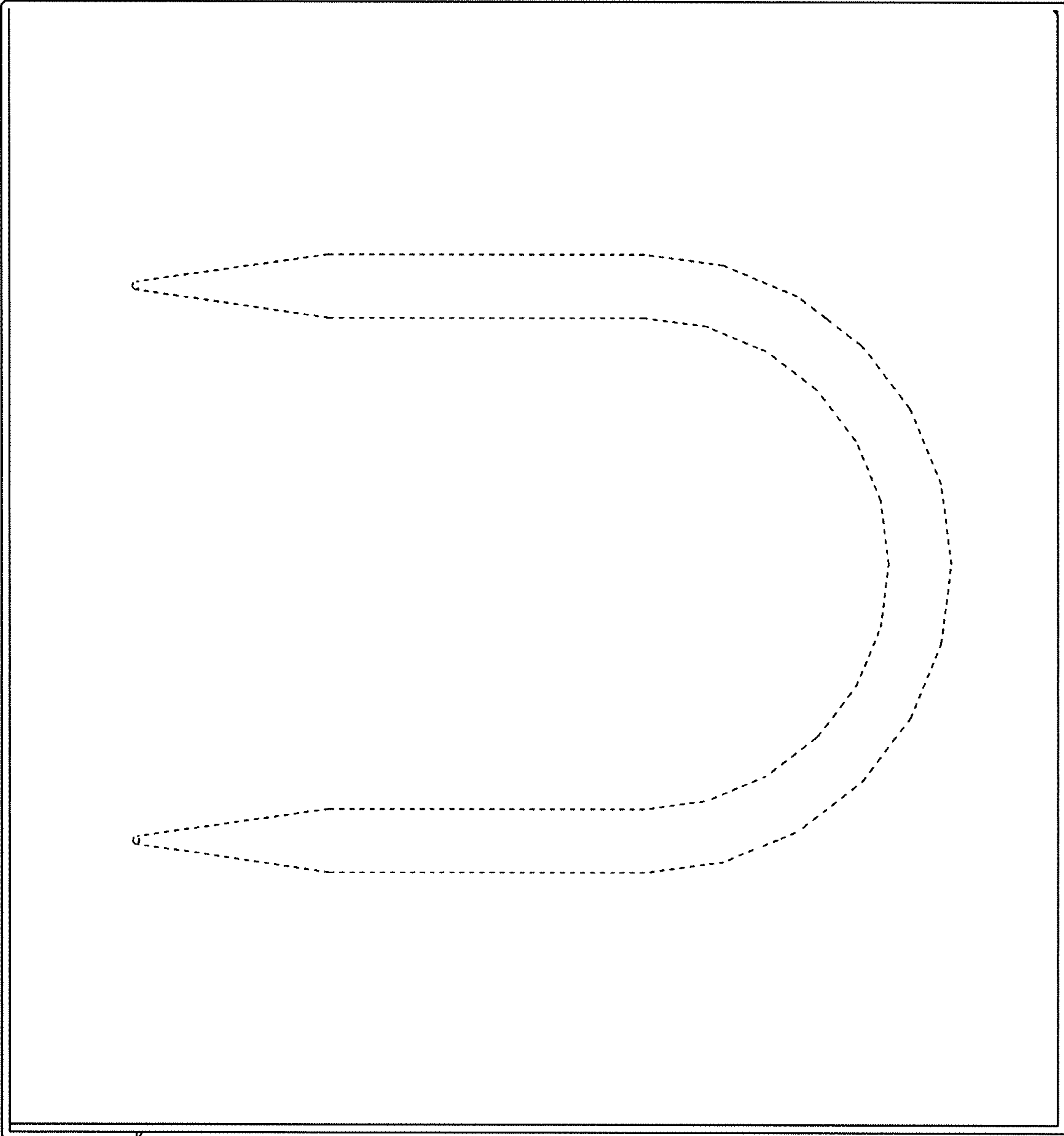


FIG. 7

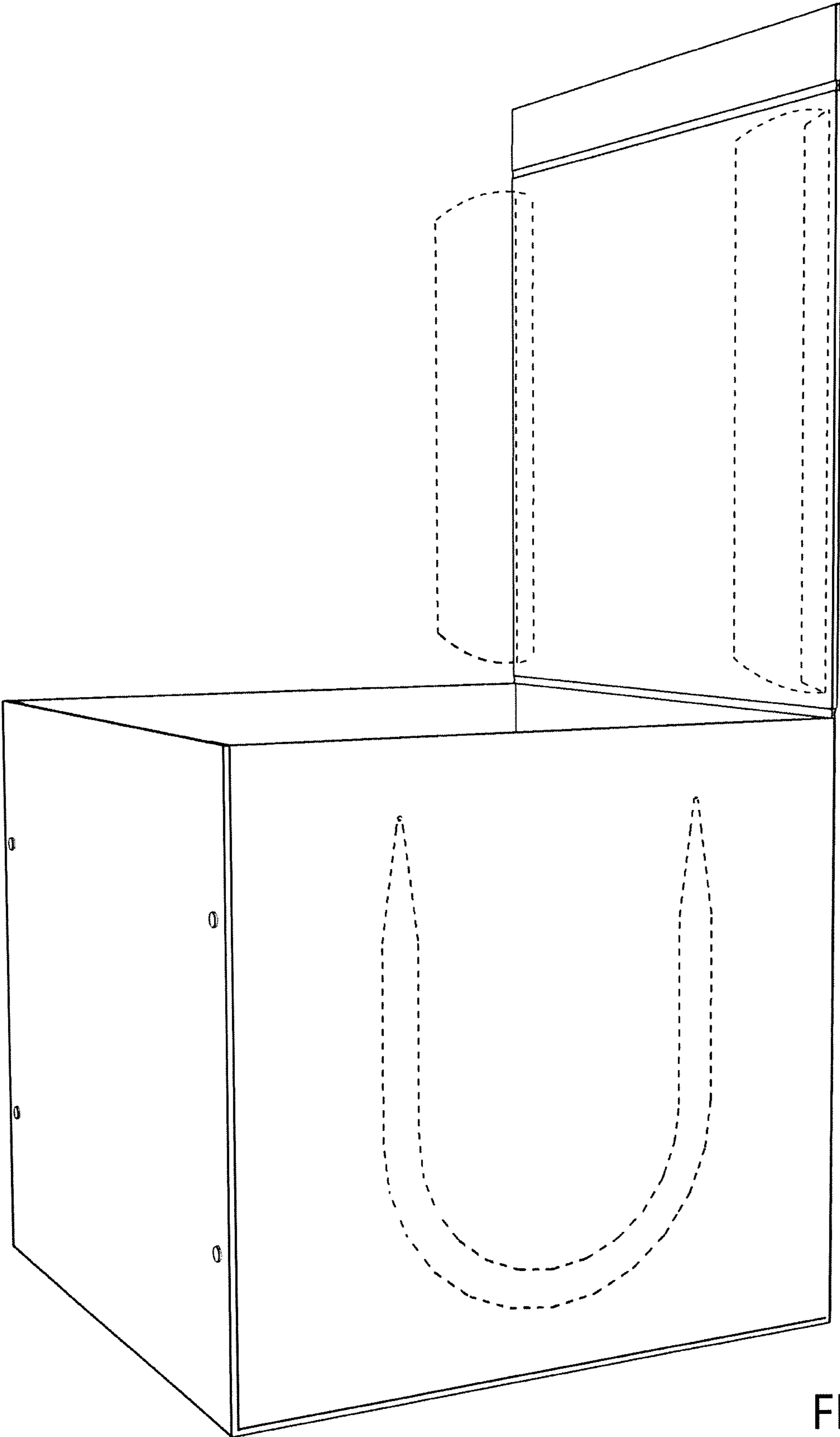


FIG. 8

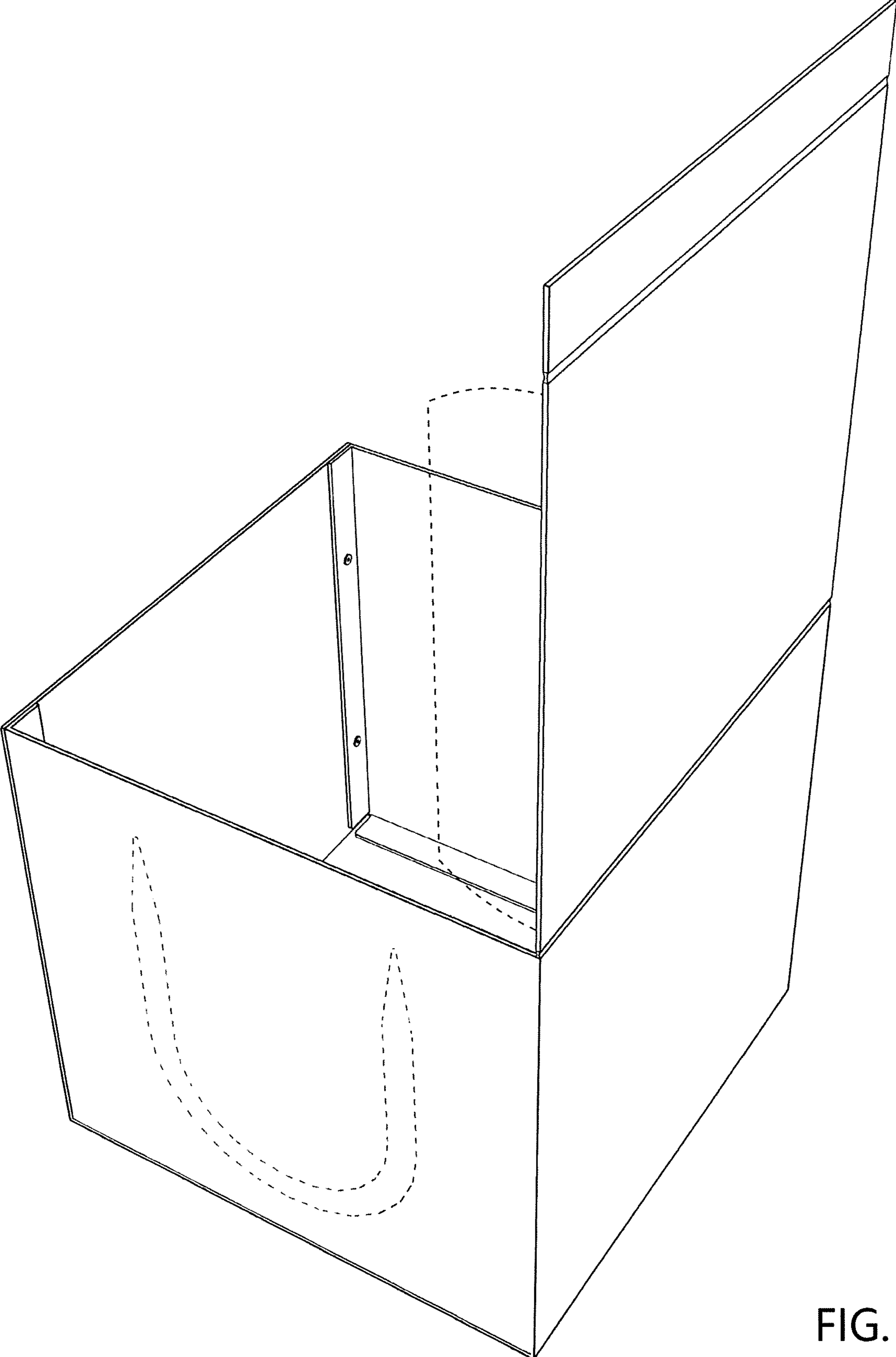


FIG. 9

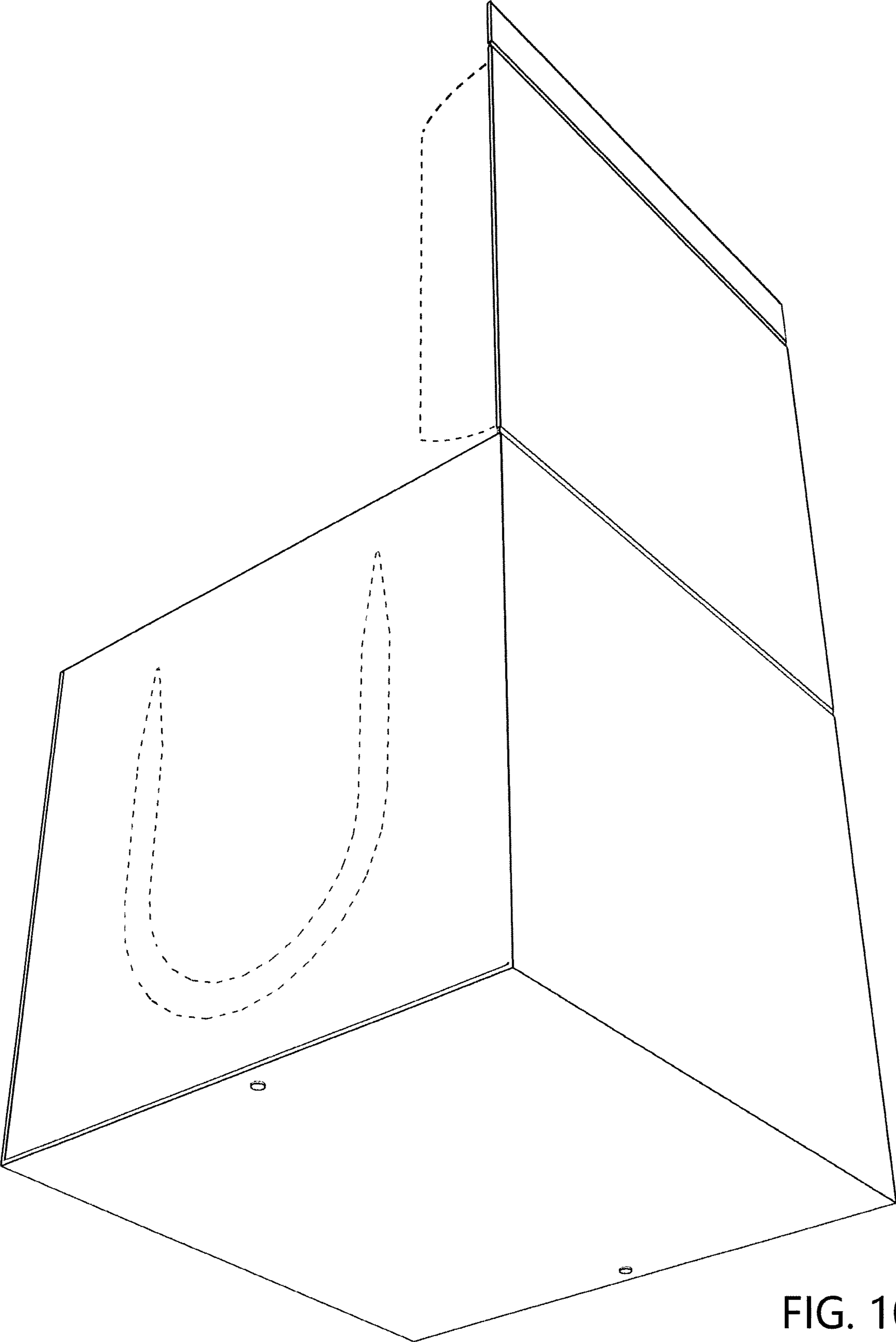


FIG. 10

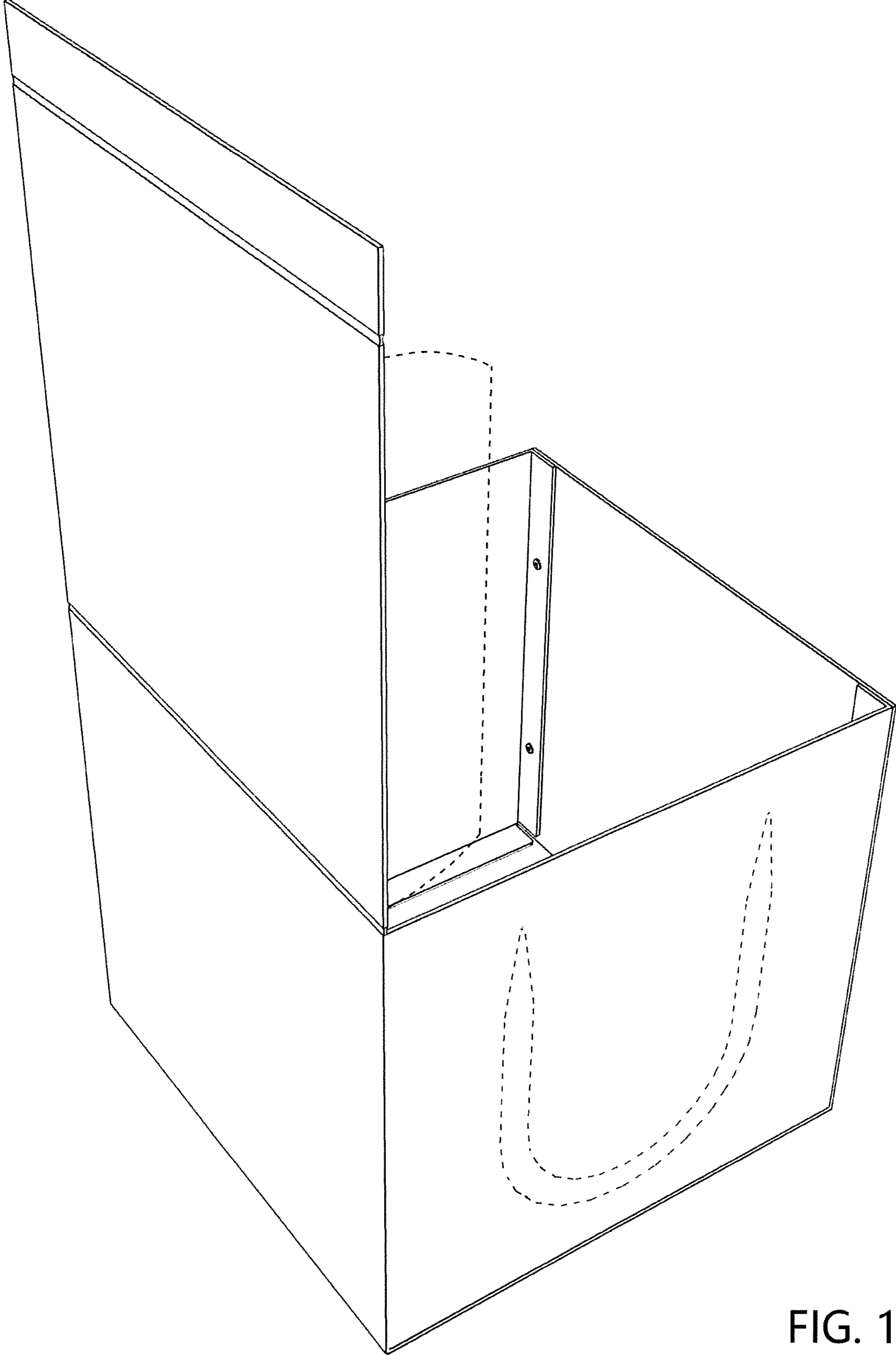


FIG. 11

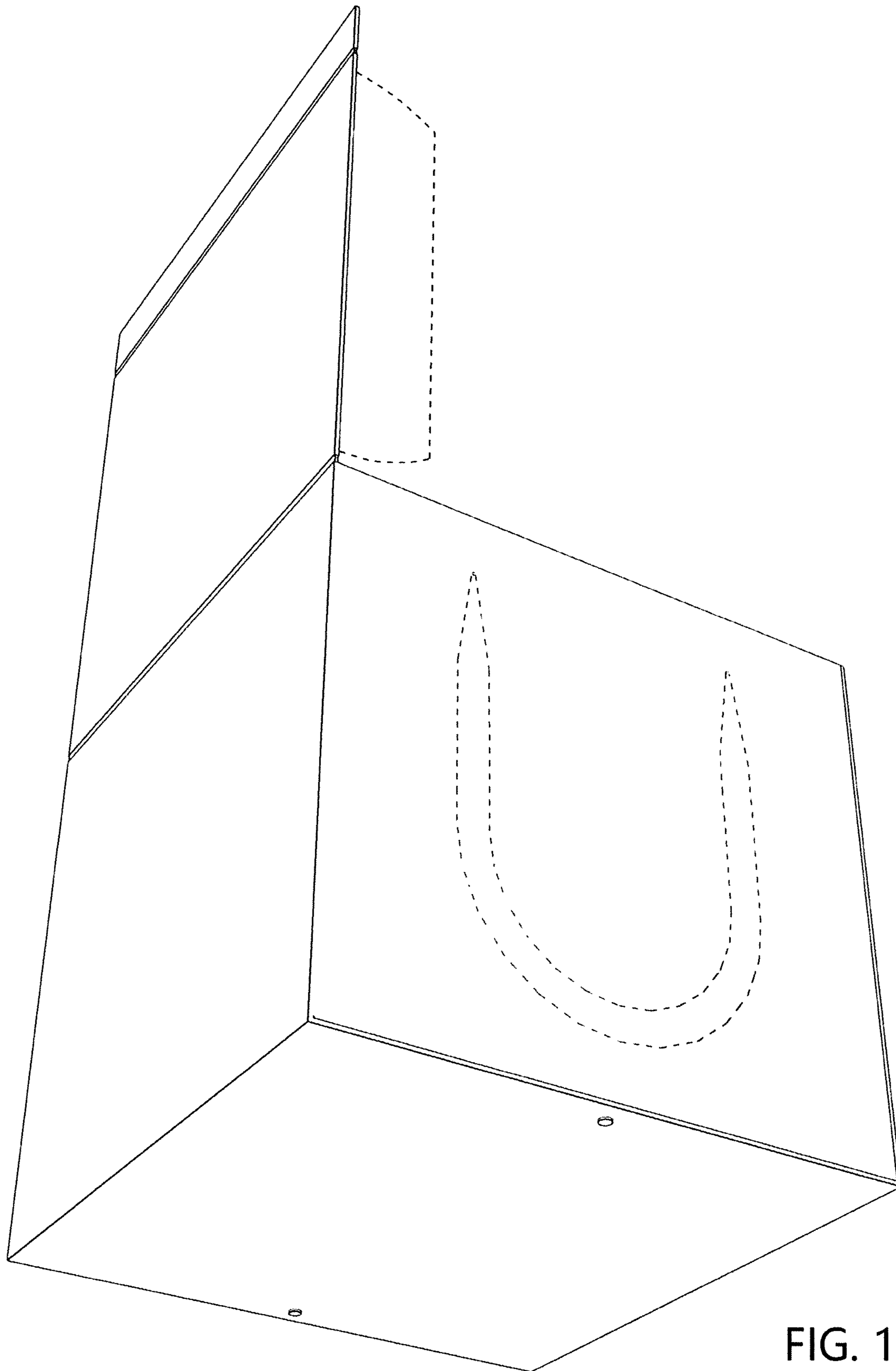


FIG. 12

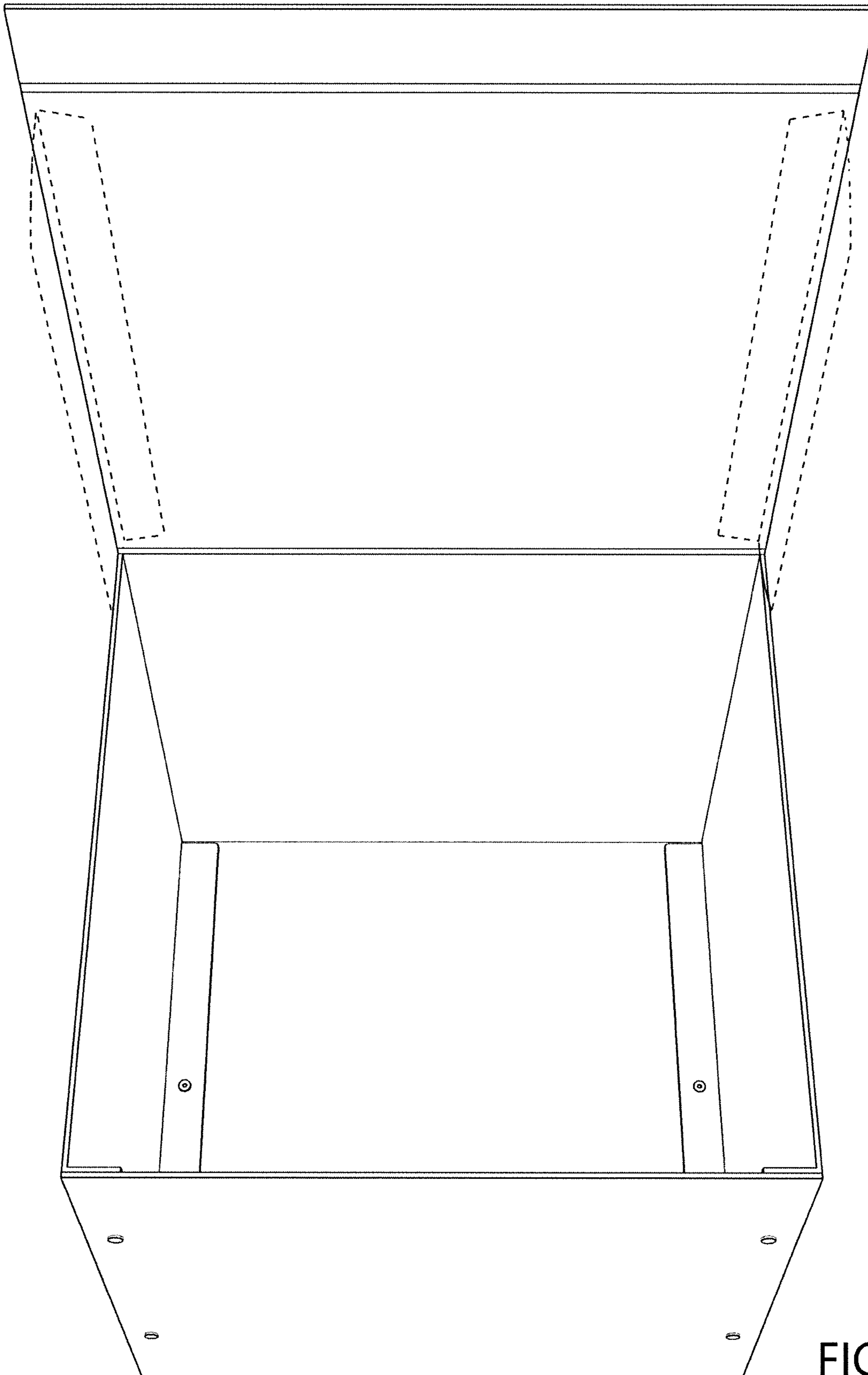
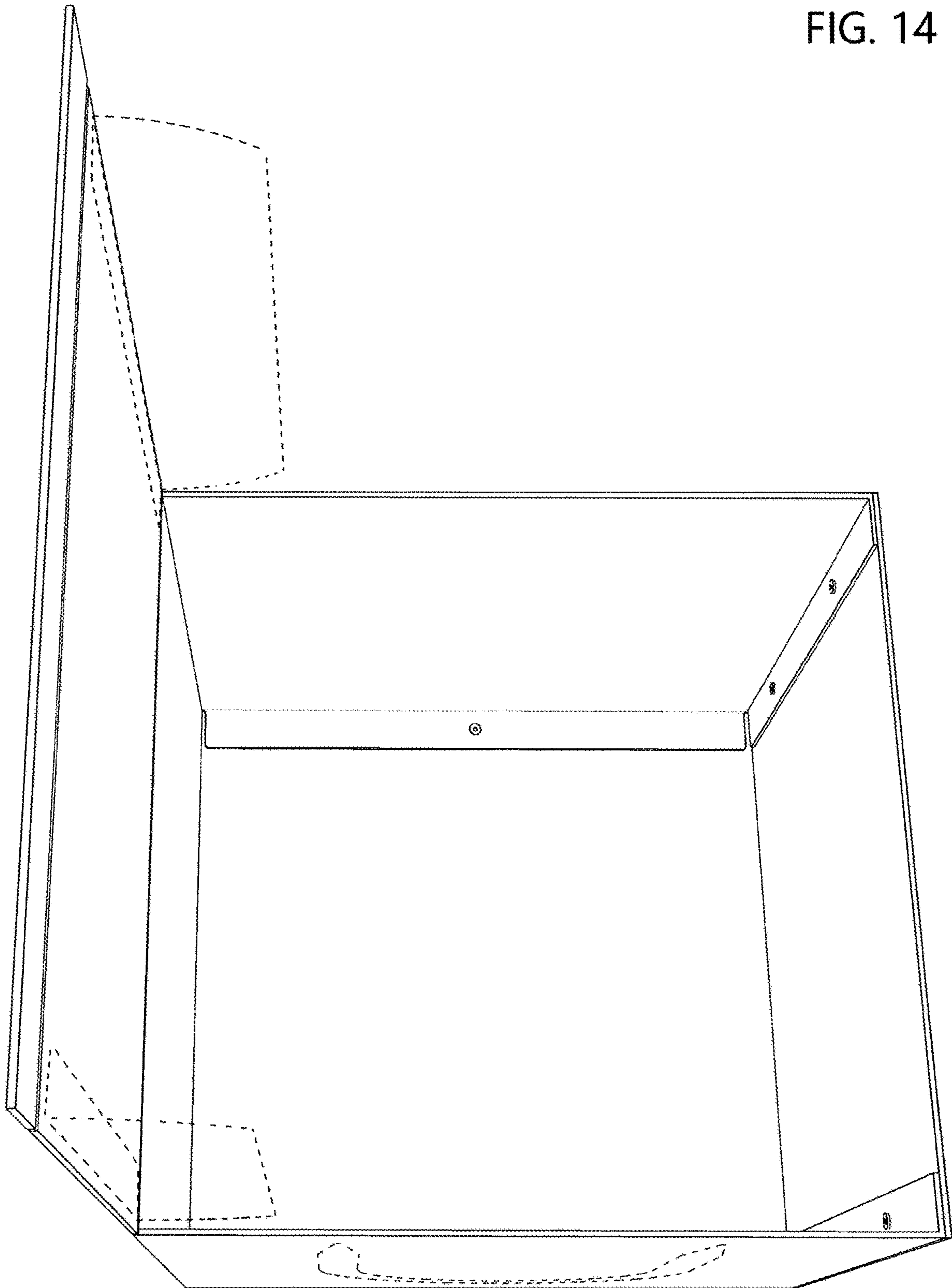


FIG. 13

FIG. 14





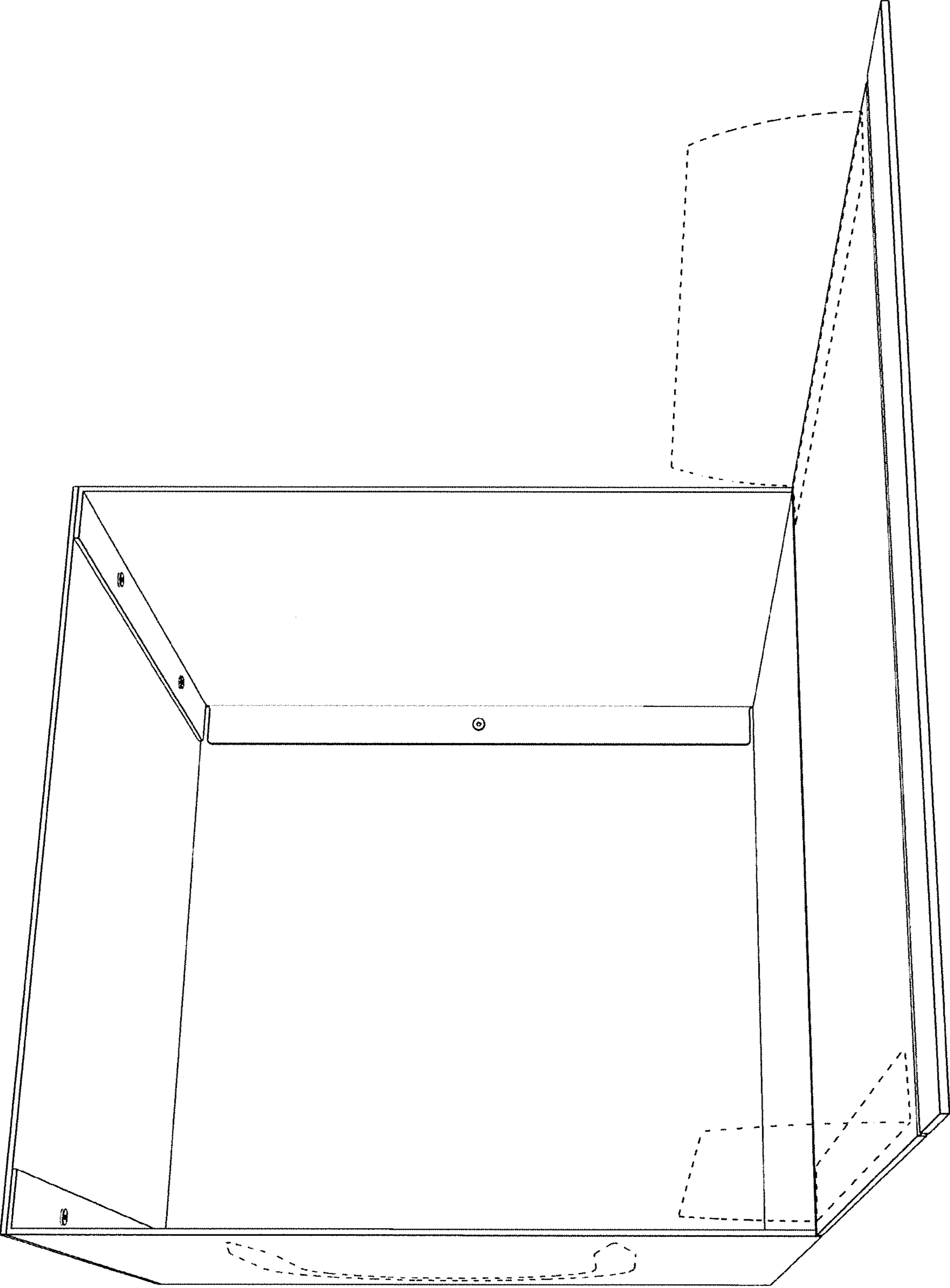


FIG. 15

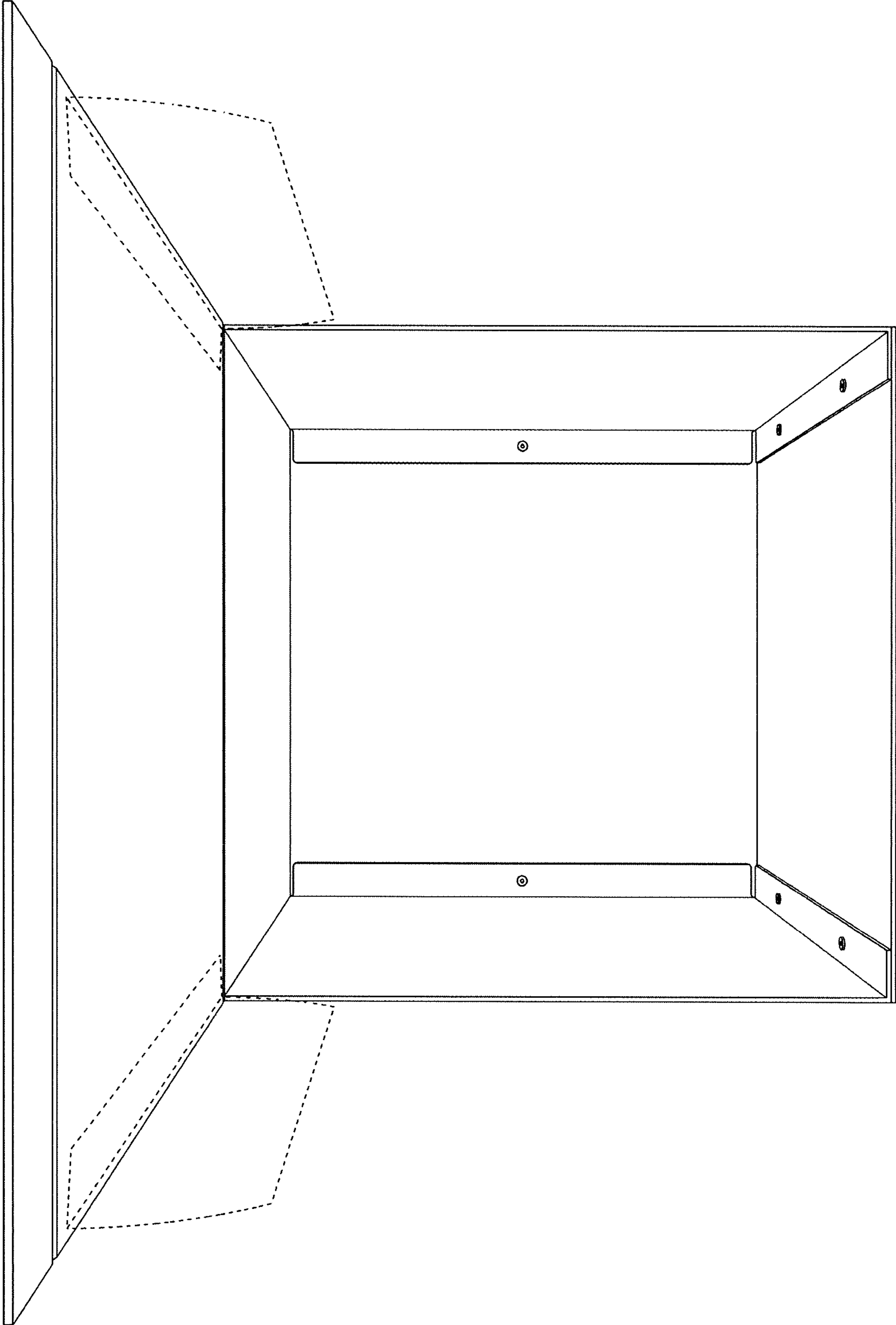


FIG. 16

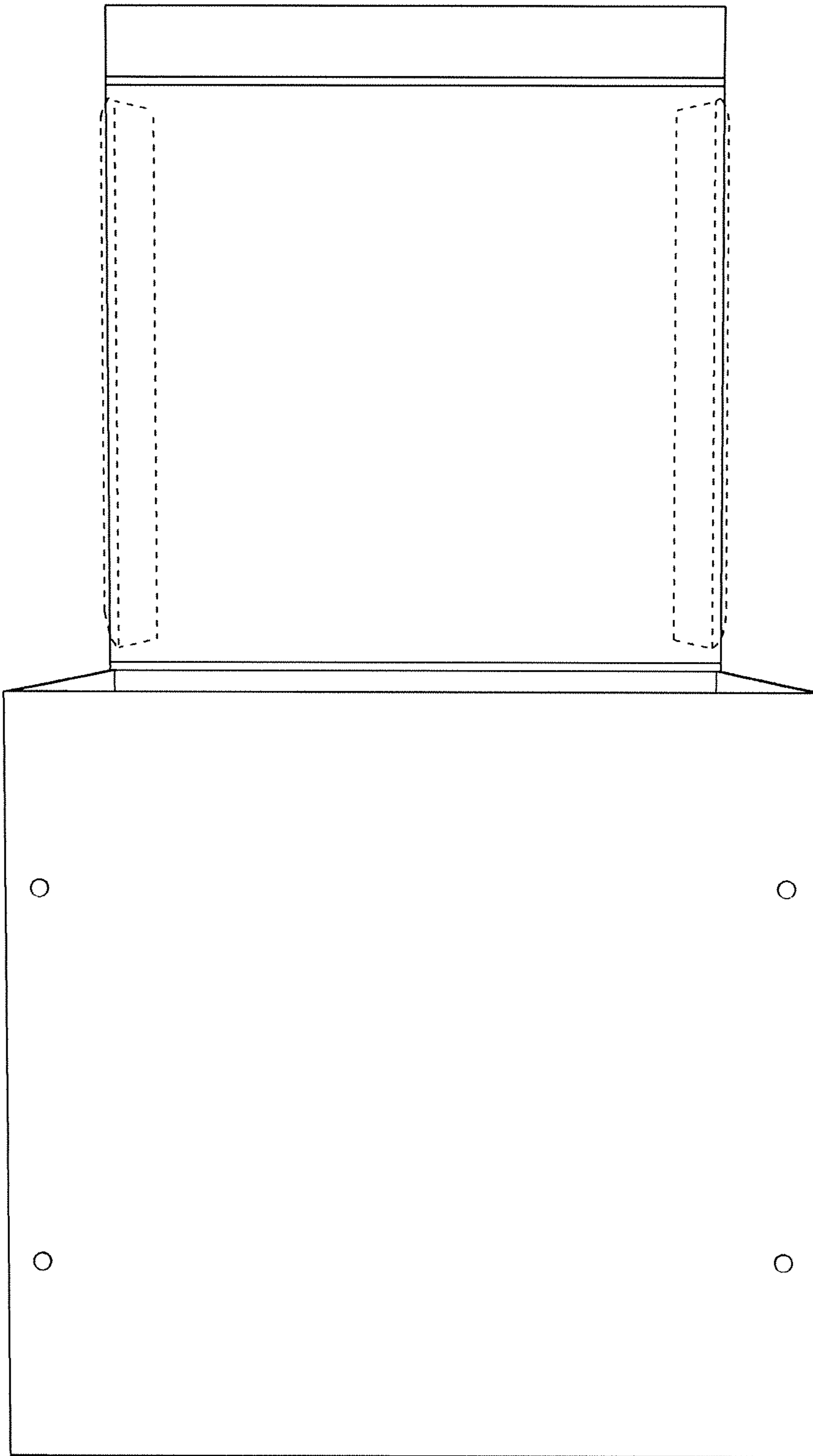


FIG. 17

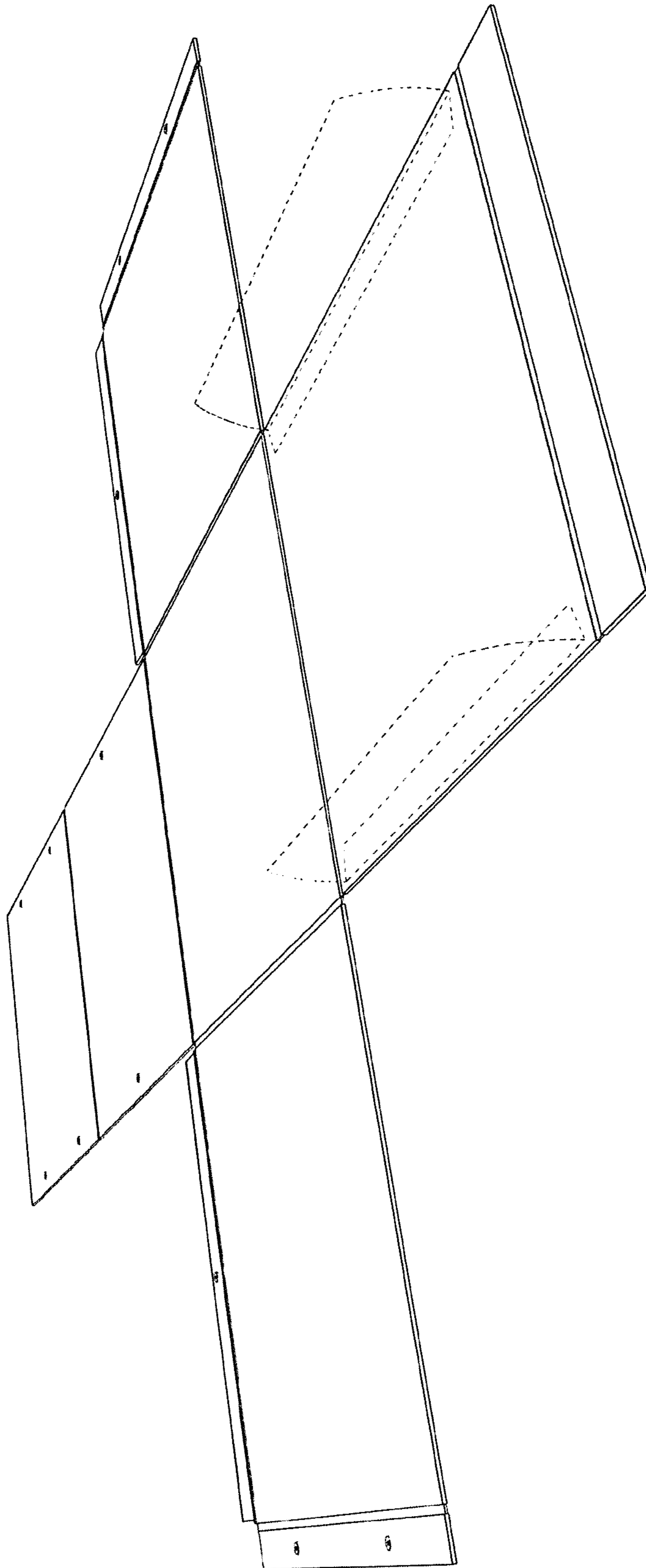


FIG. 18

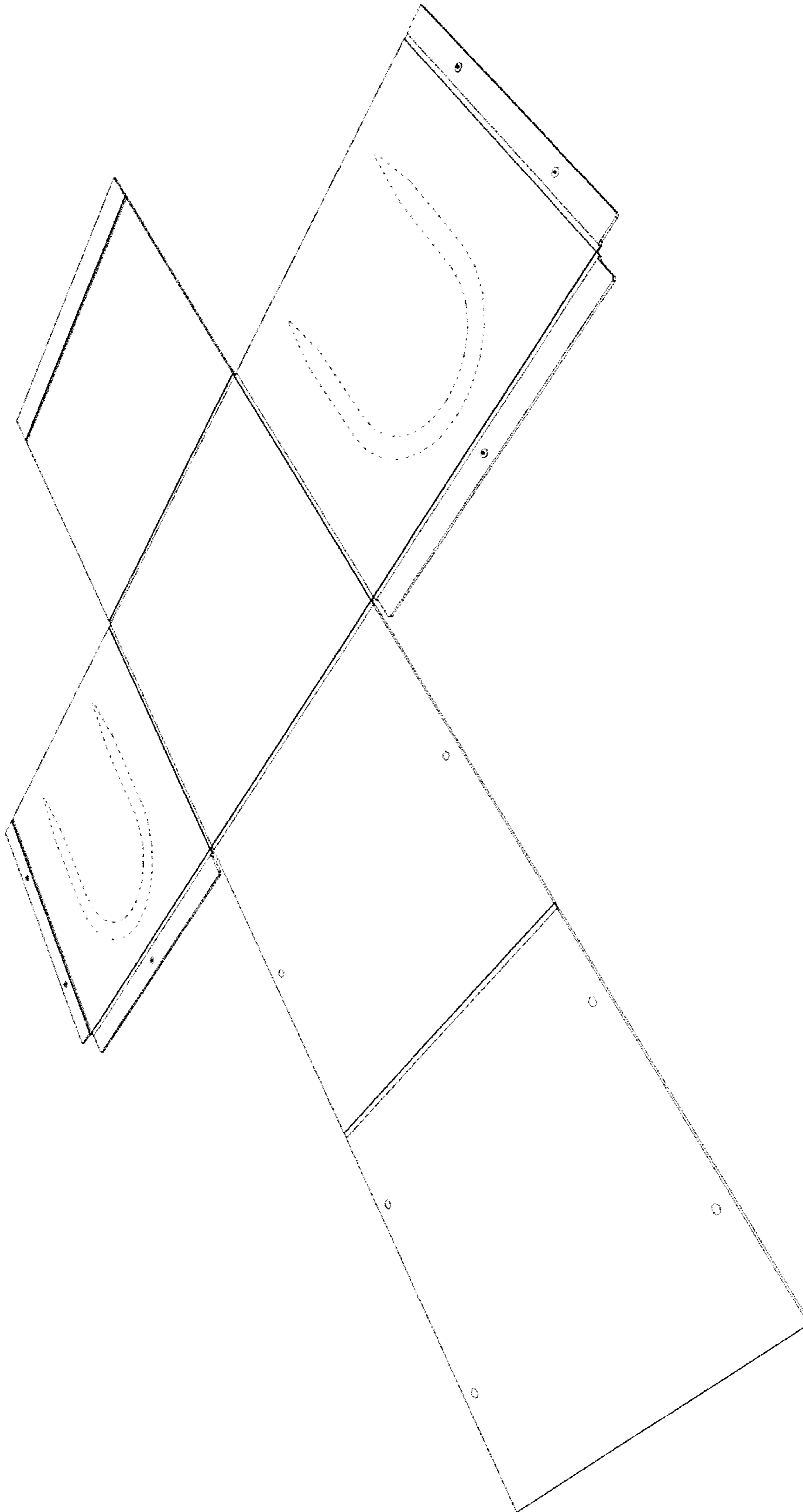


FIG. 19

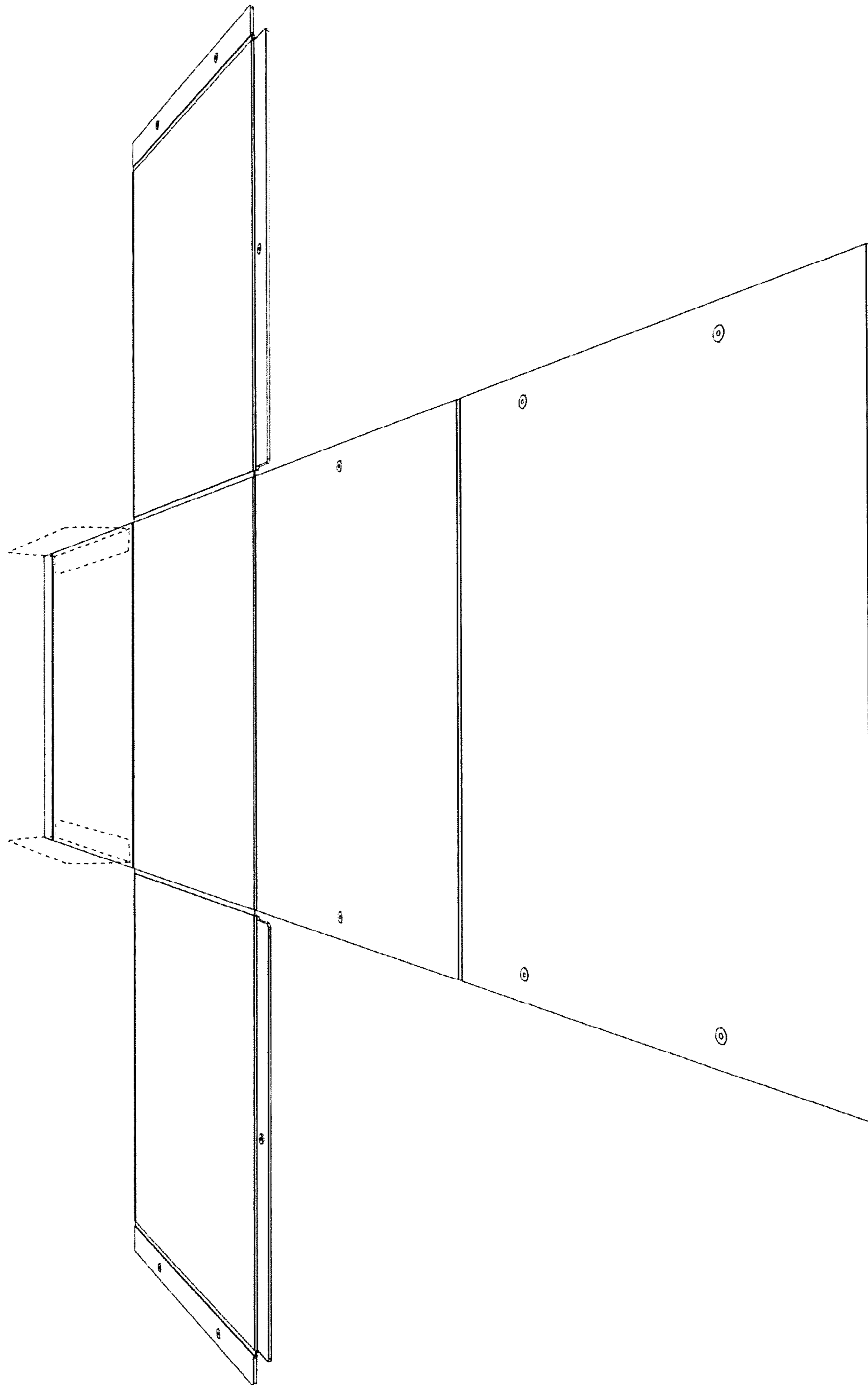


FIG. 20

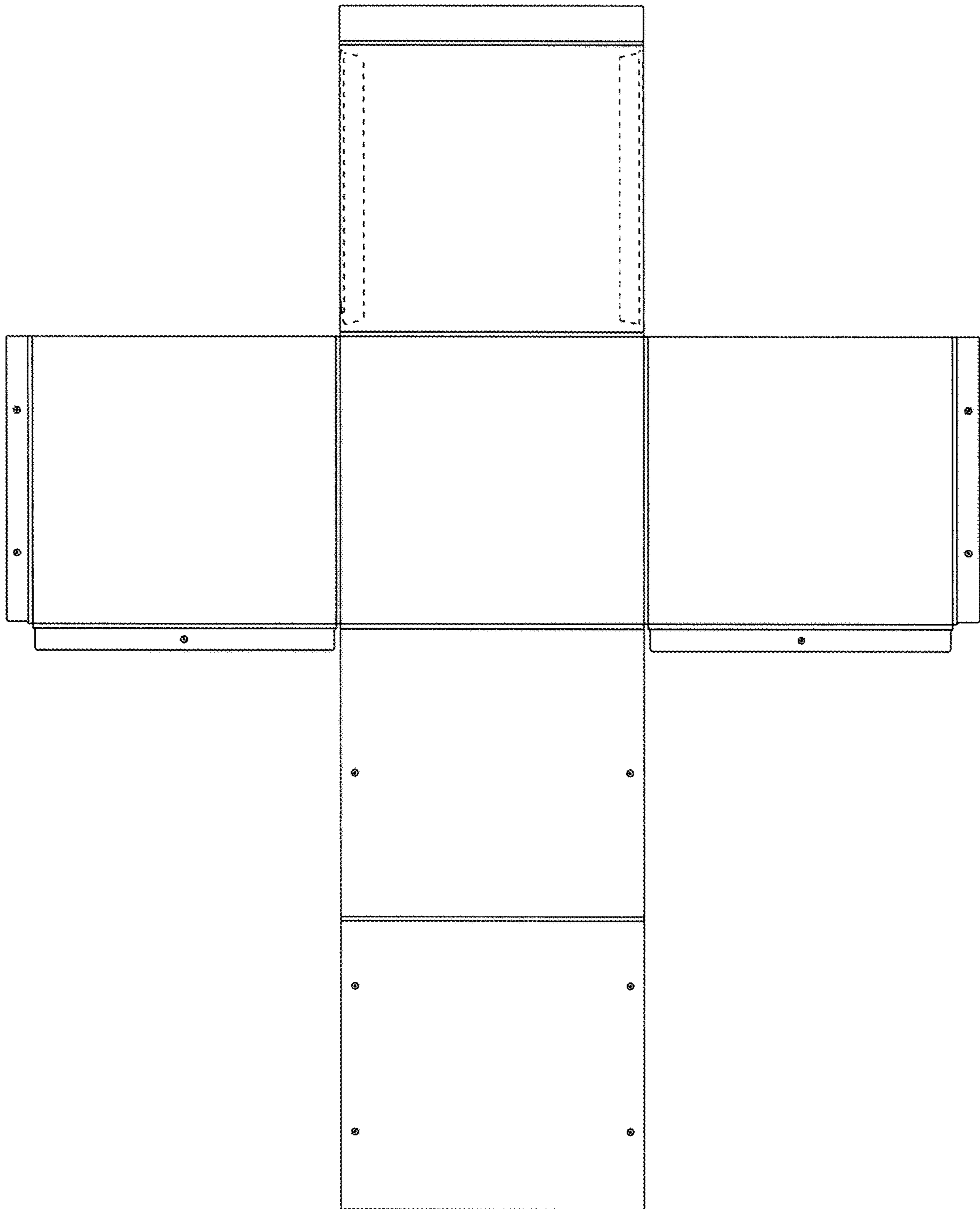


FIG. 21

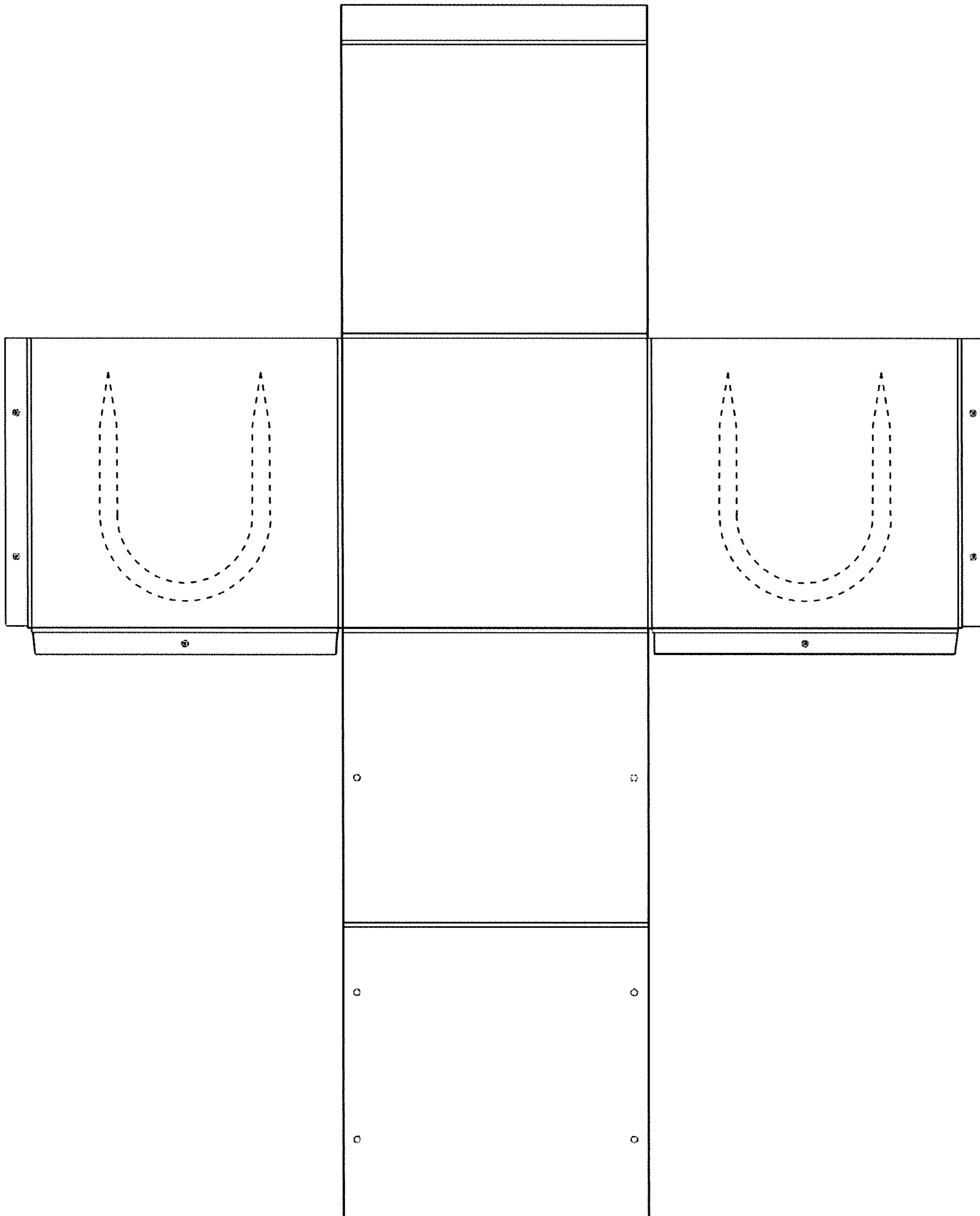


FIG. 22