



US00D888544S

(12) **United States Design Patent** (10) **Patent No.:** **US D888,544 S**  
**Schwartzkopf** (45) **Date of Patent:** **\*\* Jun. 30, 2020**

(54) **FASTENER HEAD**  
(71) Applicant: **National Nail Corp.**, Grand Rapids, MI (US)  
(72) Inventor: **Todd E. A. Schwartzkopf**, Hudsonville, MI (US)  
(73) Assignee: **National Nail Corp.**, Grand Rapids, MI (US)

(\*\*) Term: **15 Years**

(21) Appl. No.: **29/678,288**

(22) Filed: **Jan. 28, 2019**

(51) **LOC (12) Cl.** ..... **08-08**

(52) **U.S. Cl.**  
USPC ..... **D8/387**

(58) **Field of Classification Search**  
USPC ..... D8/385, 387, 388, 391, 393  
CPC ..... F16B 23/0007; F16B 23/0015; F16B 23/0023; F16B 23/003; F16B 23/0038; F16B 23/0046; B21K 1/46; B21K 1/463  
See application file for complete search history.

(56) **References Cited**

U.S. PATENT DOCUMENTS

2,800,829	A	7/1957	West	
3,463,209	A	8/1969	Podolsky	
5,171,117	A *	12/1992	Seidl	B25B 15/005 411/404
D415,676	S *	10/1999	Negishi	D8/387
6,017,177	A *	1/2000	Lanham	F16B 23/003 411/402
6,951,158	B1	10/2005	Edland	
7,311,022	B2 *	12/2007	Putney	81/121.1
7,523,688	B2 *	4/2009	Putney	B25B 13/065 76/114
7,730,812	B2	6/2010	Edland	
D649,446	S *	11/2011	Totsu	D8/387

8,739,660	B2	6/2014	Edland et al.	
D723,910	S *	3/2015	Totsu	D8/387
D812,460	S *	3/2018	Totsu	D8/387
D817,164	S *	5/2018	Totsu	D8/387
D823,102	S *	7/2018	Camilleri	D8/387
2005/0172761	A1	8/2005	Brooks	
2006/0266168	A1 *	11/2006	Pacheco, Jr.	B25B 13/065 81/460
2006/0293677	A1 *	12/2006	Oepen	A61B 17/8615 606/309
2012/0165107	A1 *	6/2012	Guo	B25B 15/005 470/57

(Continued)

*Primary Examiner* — Sandra S Snapp

*Assistant Examiner* — Ieisha N Price

(74) *Attorney, Agent, or Firm* — Warner Norcross + Judd, LLP

(57) **CLAIM**

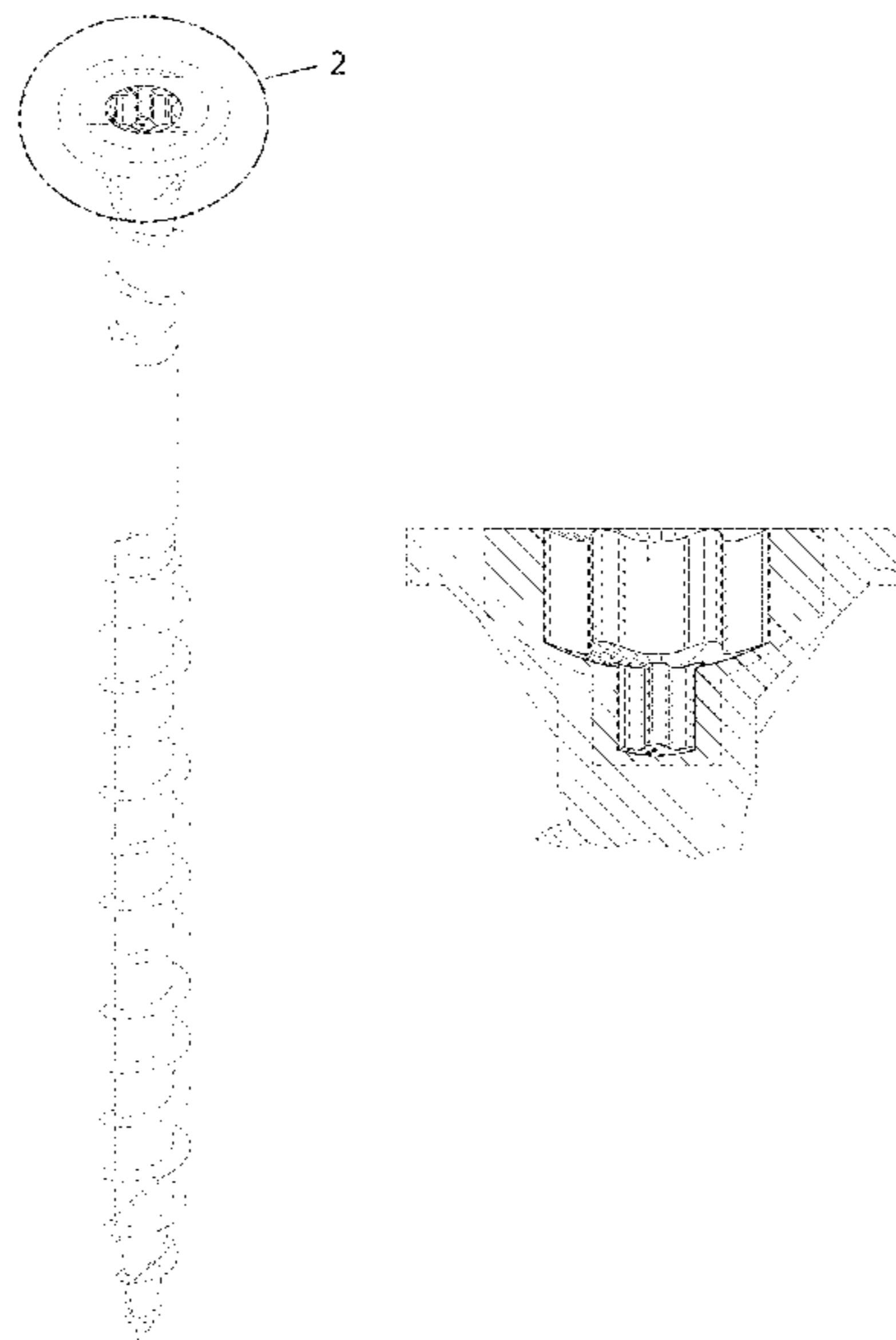
The ornamental design for a fastener head, as shown and described.

**DESCRIPTION**

FIG. 1 is an top perspective view of the fastener head embodying the new design;  
FIG. 2 is an enlarged perspective view thereof taken from indication circle 2 of FIG. 1;  
FIG. 3 is a second perspective view of FIG. 2;  
FIG. 4 is a side view of FIG. 1;  
FIG. 5 is an enlarged side view thereof taken from indication box 5 of FIG. 4;  
FIG. 6 is a top view of FIG. 2; and,  
FIG. 7 is a cross section view of FIG. 2 taken from 7-7 of FIG. 6.

The broken lines rendered in the drawings illustrates the environment of the claimed design and forms no part thereof. The broken lines immediately adjacent the solid line portions of the design define the bounds of the claim and form no part thereof.

**1 Claim, 3 Drawing Sheets**



(56)

**References Cited**

U.S. PATENT DOCUMENTS

2012/0255189 A1\* 10/2012 Gaillard ..... B25B 15/005  
33/542  
2013/0025418 A1\* 1/2013 Edland ..... B25B 15/005  
81/436  
2013/0030476 A1\* 1/2013 Shimko ..... A61B 17/8615  
606/308  
2013/0164708 A1\* 6/2013 Streff ..... A61C 8/0048  
433/174  
2014/0060268 A1 3/2014 Goss  
2014/0066945 A1\* 3/2014 Humphreys ..... A61B 17/8615  
606/104  
2015/0289953 A1\* 10/2015 Xam-Mar Mangrane .....  
B25B 15/005  
433/75  
2016/0305462 A1\* 10/2016 Wunderlich ..... F16B 25/0021  
2018/0347612 A1\* 12/2018 Falkenstein ..... F16B 23/0023  
2019/0003510 A1\* 1/2019 Chasse ..... F16B 23/0092  
2019/0186526 A1\* 6/2019 Dilling ..... B21K 1/463  
2019/0219088 A1\* 7/2019 Perego ..... F16B 23/003

\* cited by examiner

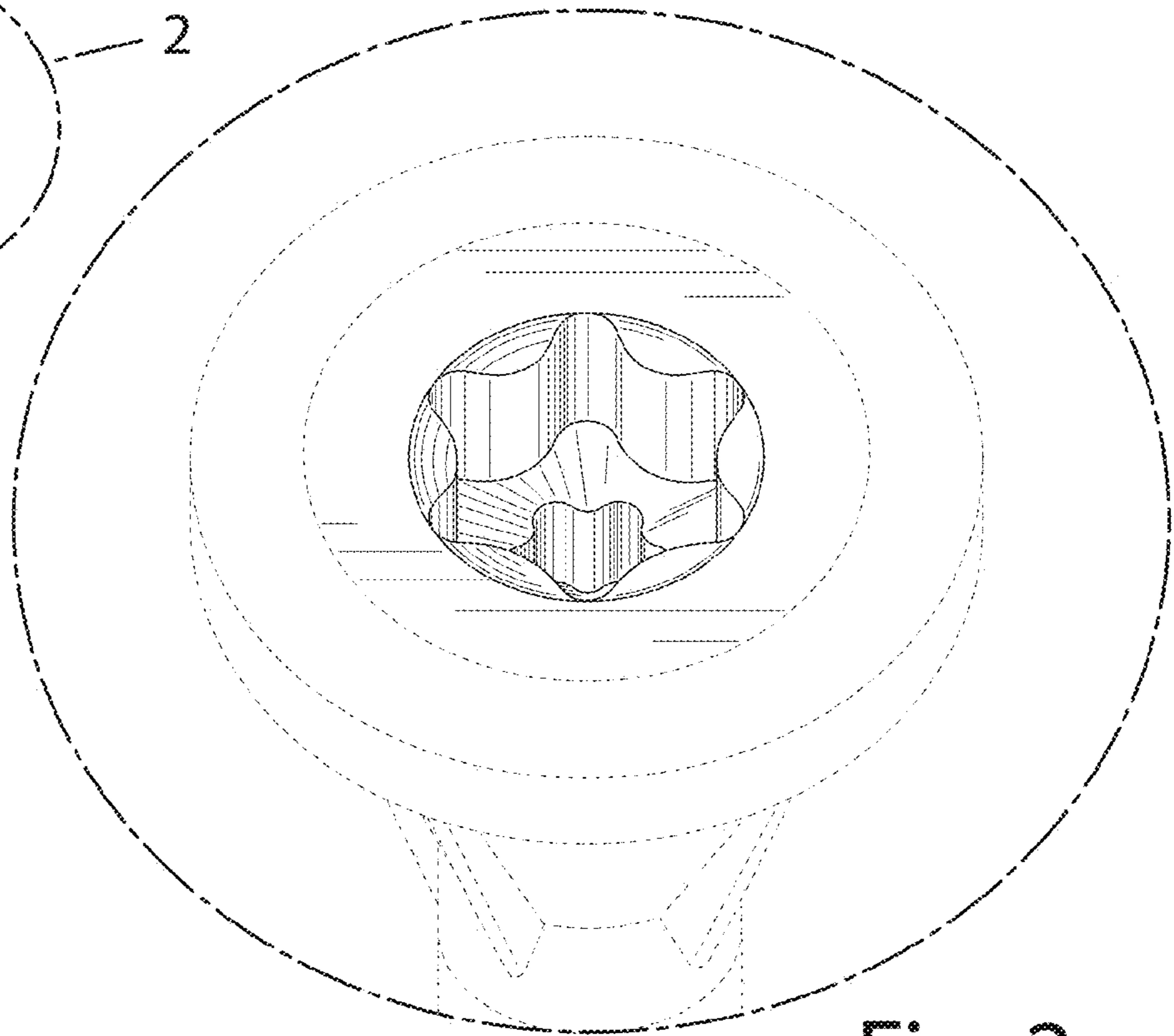
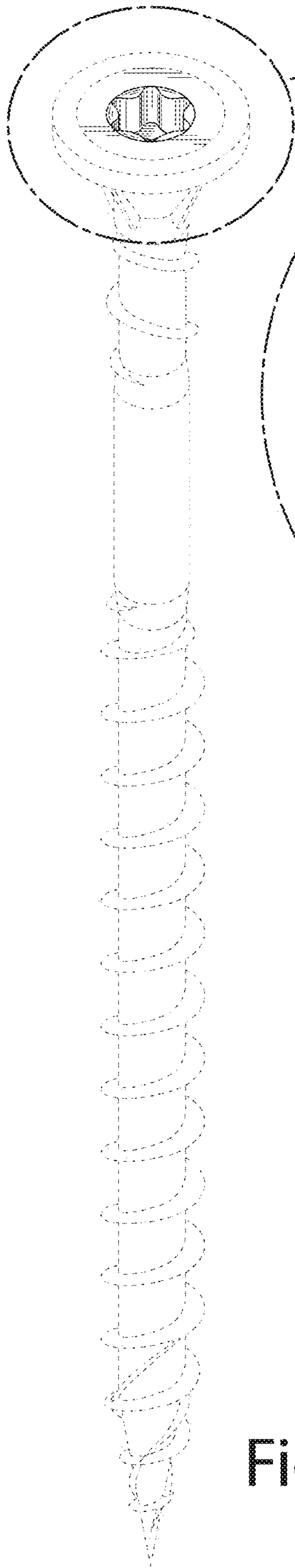


Fig. 2

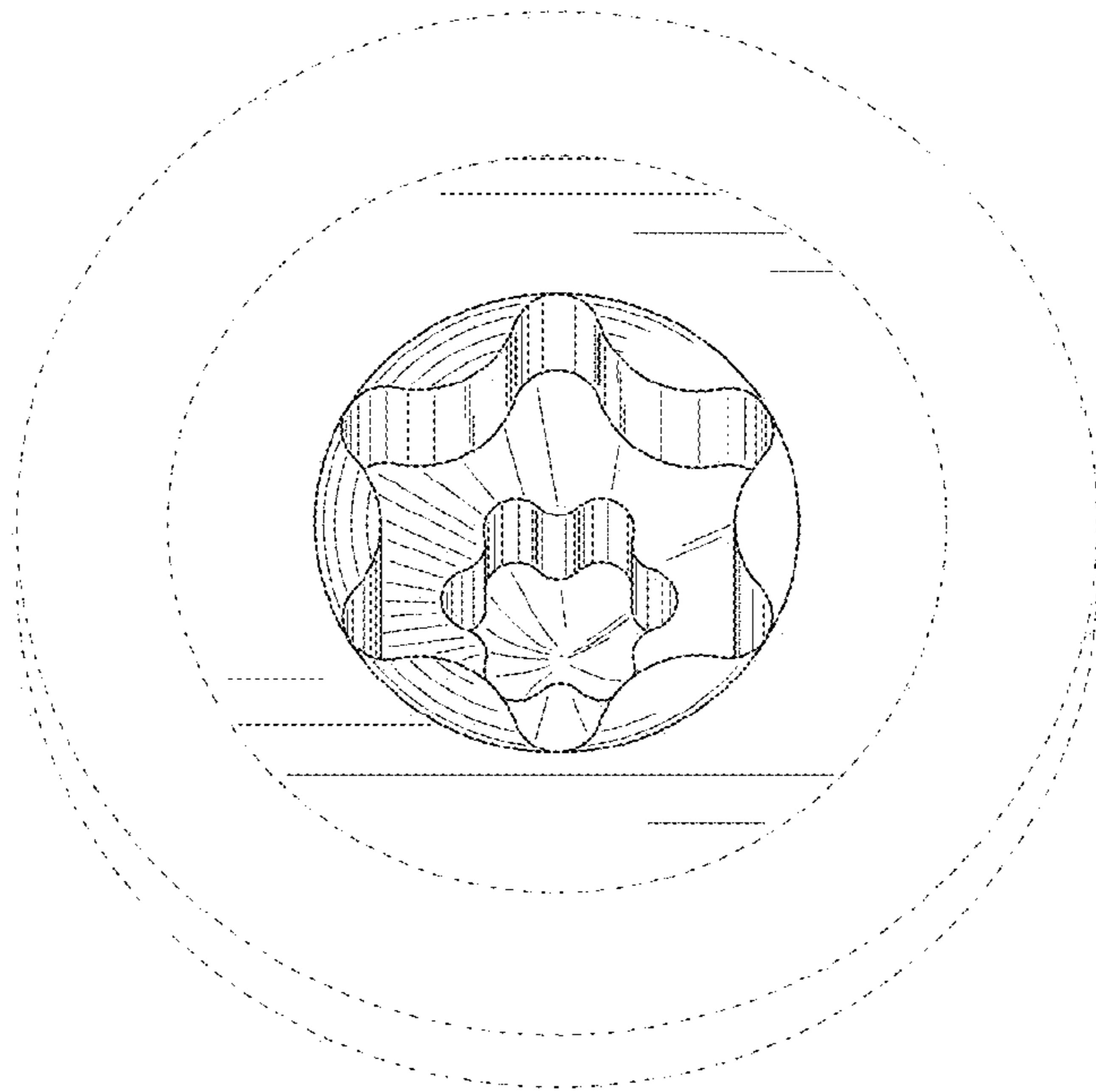


Fig. 3

Fig. 1

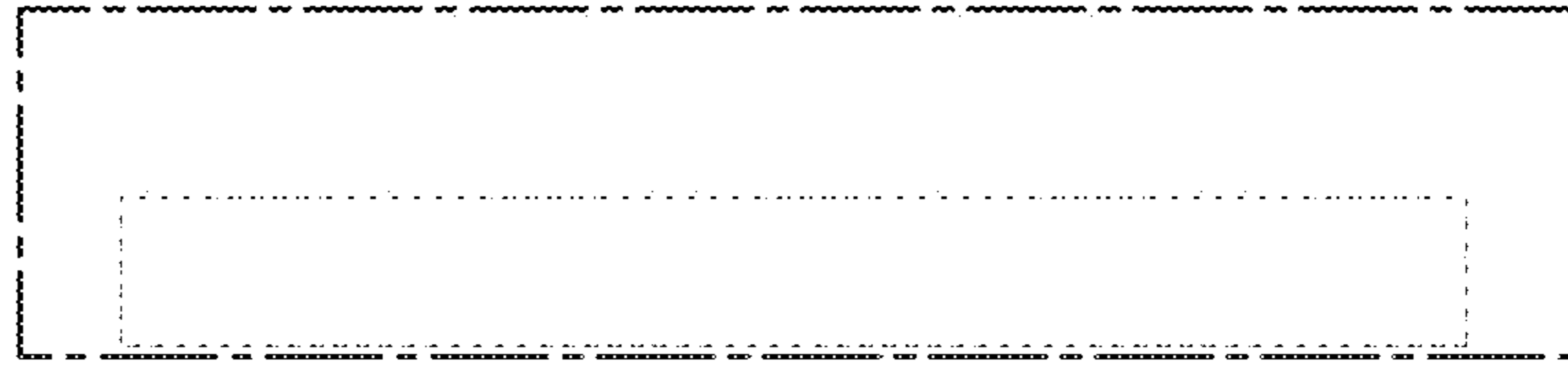
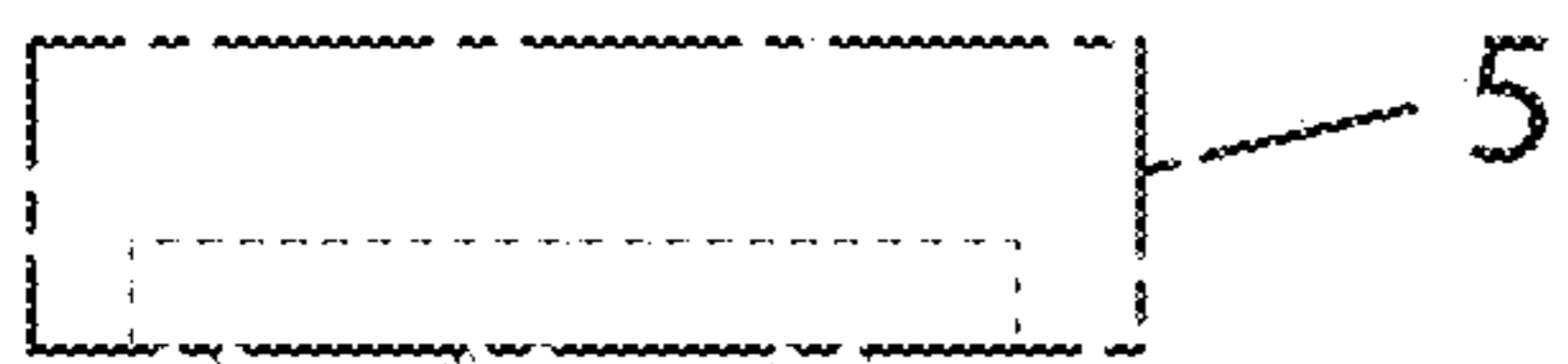


Fig. 5

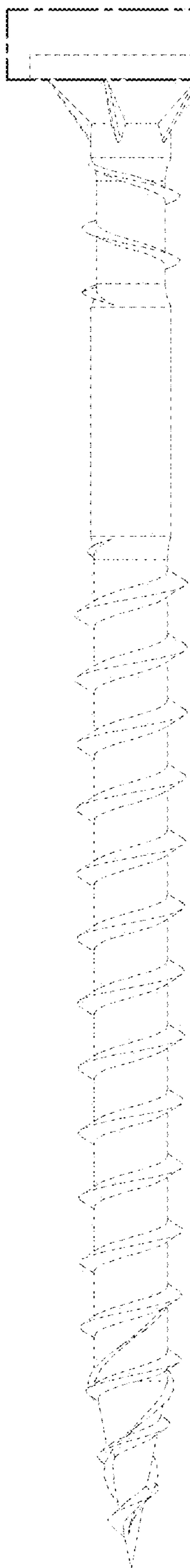


Fig. 4

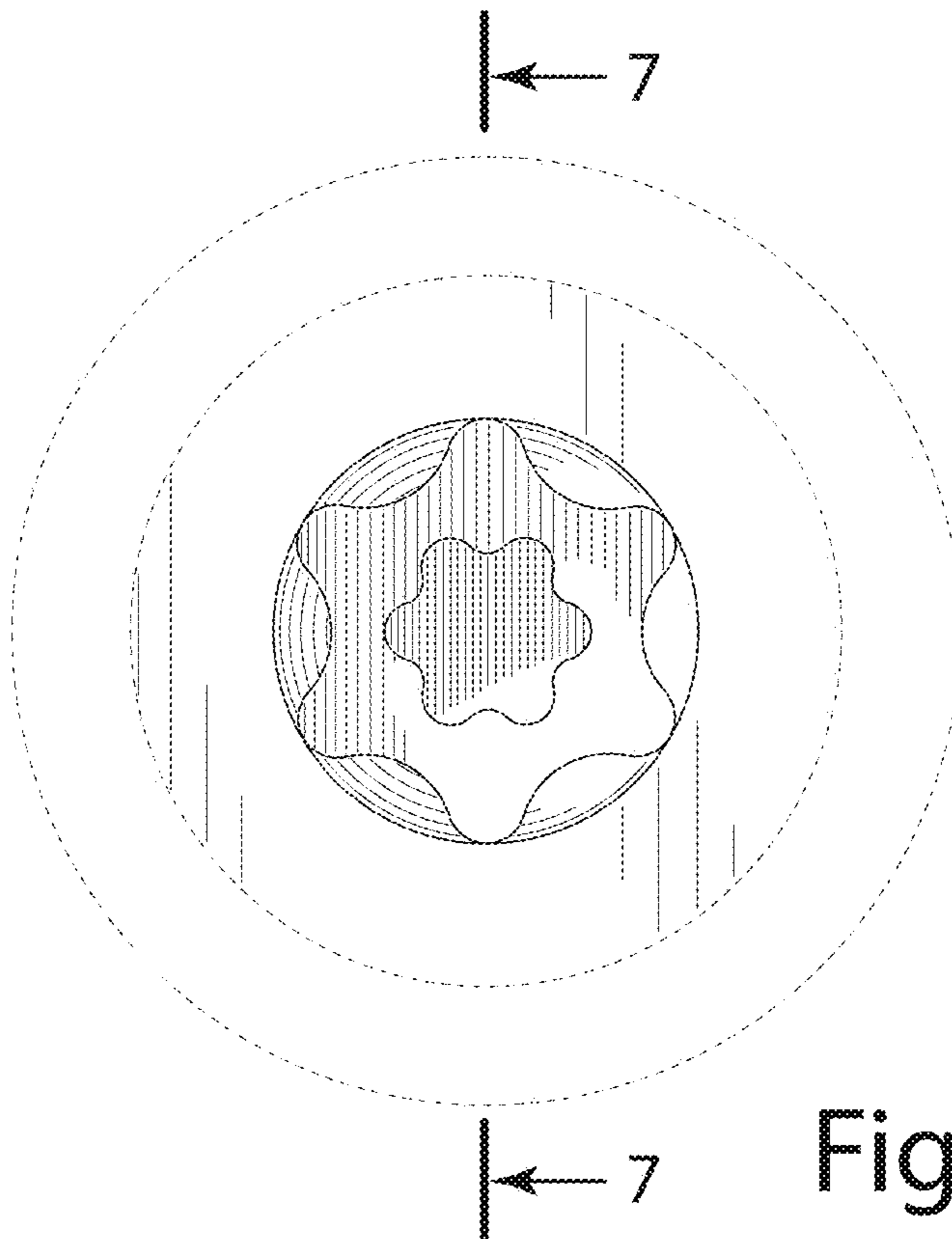


Fig. 6

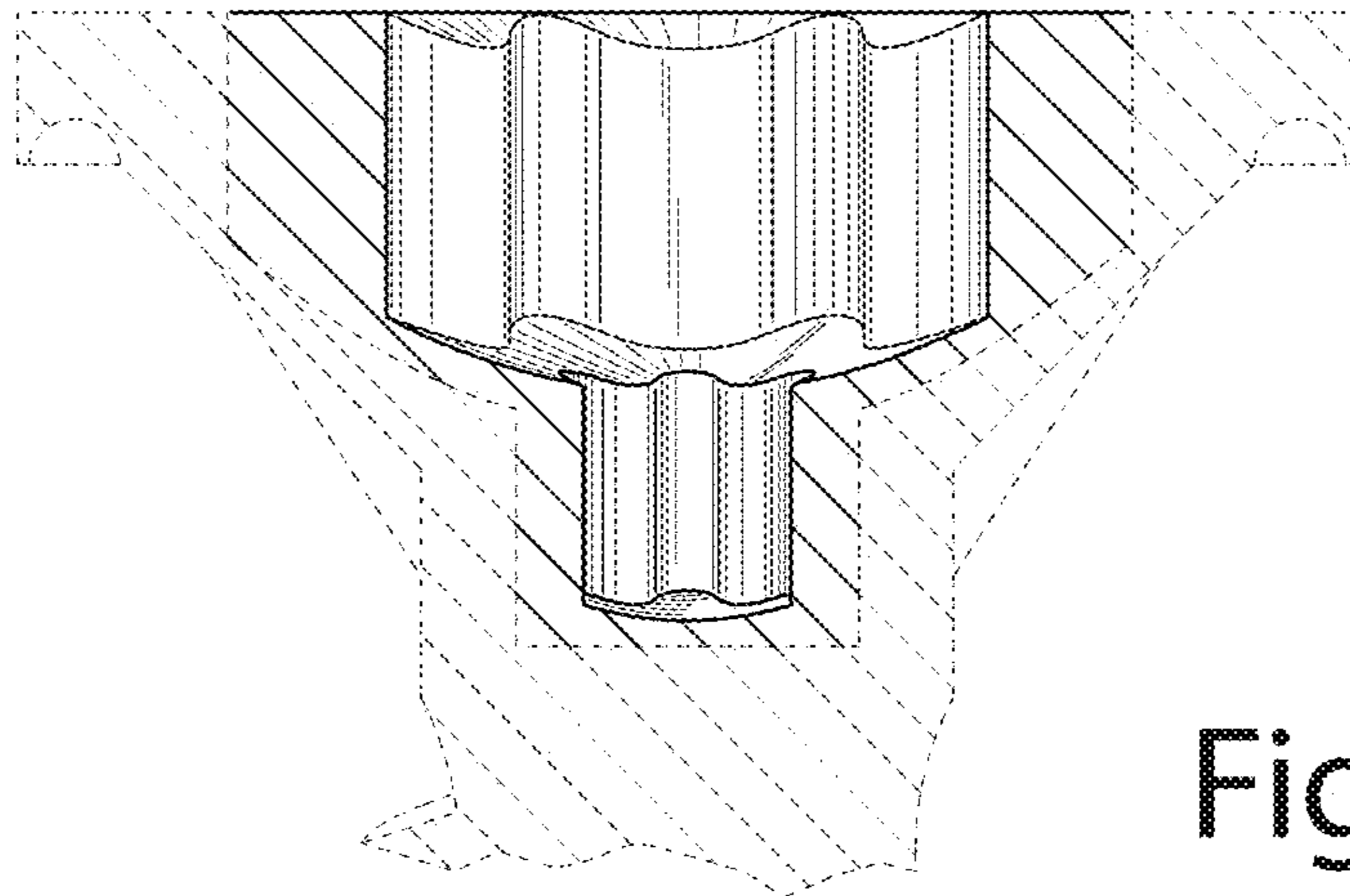


Fig. 7