



US00D888542S

(12) **United States Design Patent**  
**Wiles et al.**

(10) **Patent No.:** **US D888,542 S**  
(45) **Date of Patent:** **\*\* Jun. 30, 2020**

(54) **TIE STRAP WITH GRIP**

(71) Applicant: **Wiles Technologies LLC**, Palm Beach Gardens, FL (US)

(72) Inventors: **Benjamin C. Wiles**, Palm Beach Gardens, FL (US); **Bradley Workman**, Snellville, GA (US); **Jerry V. Foster**, Valdosta, GA (US)

(73) Assignee: **Wiles Technologies LLC**, Palm Beach Gardens, FL (US)

(\*\*) Term: **15 Years**

(21) Appl. No.: **29/655,803**

(22) Filed: **Jul. 6, 2018**

(51) **LOC (12) Cl.** ..... **09-06**

(52) **U.S. Cl.**  
USPC ..... **D8/356**

(58) **Field of Classification Search**  
USPC ..... D8/356, 354, 349, 383; 381/384  
CPC ..... E02D 5/803; B63B 21/045; B63B 59/02;  
B60D 1/18; B60P 7/0823; A44B 13/0029  
See application file for complete search history.

(56) **References Cited**

**U.S. PATENT DOCUMENTS**

D201,798 S *	8/1965	Miller	.....	D8/394
D205,940 S *	10/1966	Miller	.....	D8/394
3,837,047 A	9/1974	Bunnel		
3,908,233 A *	9/1975	Caveney	.....	F16L 3/2334 24/16 PB
3,965,538 A *	6/1976	Caveney	.....	B65D 63/1072 24/16 PB
4,272,870 A	6/1981	McCormick		
4,287,644 A *	9/1981	Durand	.....	F16L 3/2334 24/16 PB

(Continued)

**OTHER PUBLICATIONS**

Protolabs, Design Consideratins for Overmolding and Insert Molding, retrieved from the Internet on Oct. 2, 2018, and available at: <https://www.protolabs.com/resources/white-papers/overmolding-and-insert-molding/> (no publication date available).

(Continued)

*Primary Examiner* — Cynthia R Underwood

(74) *Attorney, Agent, or Firm* — Benjamin C. Wiles

(57) **CLAIM**

The ornamental design for a tie strap with grip, as shown and described.

**DESCRIPTION**

FIG. 1 is a top perspective view of a tie strap with grip of the present invention, including extension lines and arrows indicating the location of the bracketed center section referenced herein;

FIG. 2 is a bottom perspective view of the tie strap of FIG. 1, also including extension lines and arrows indicating the location of the bracketed center section referenced herein;

FIG. 3 is an enlarged top perspective view of the tie strap of FIG. 1 with the bracketed center section removed;

FIG. 4 is an enlarged bottom perspective view of the tie strap of FIG. 1 with the bracketed center section removed;

FIG. 5 is an enlarged rear view of the tie strap of FIG. 1;

FIG. 6 is an enlarged front view of the tie strap of FIG. 1;

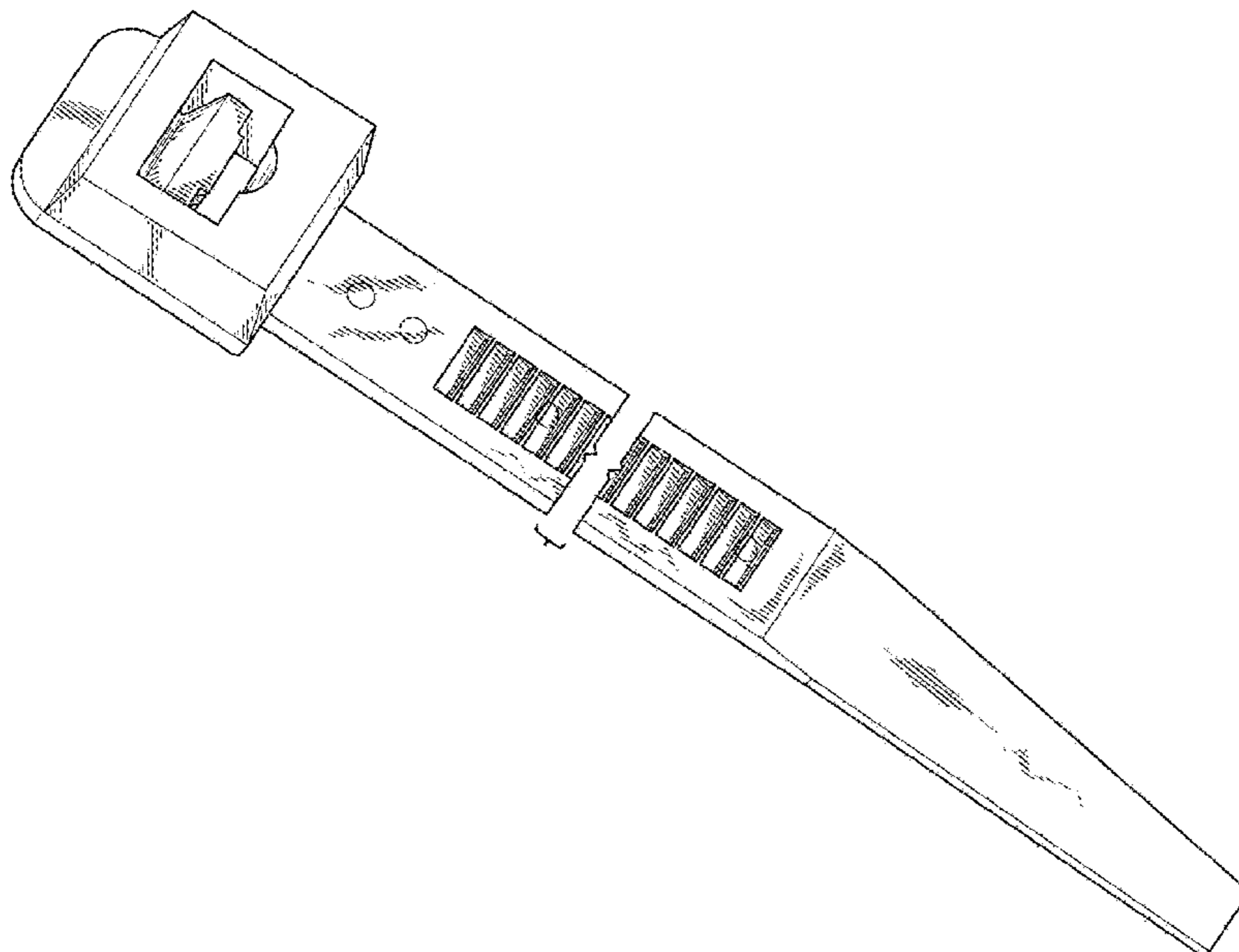
FIG. 7 is an enlarged side view of the tie strap of FIG. 1 with the bracketed center section removed;

FIG. 8 is an enlarged side view of the tie strap of FIG. 1 with the bracketed center section removed;

FIG. 9 is an enlarged top view of the tie strap of FIG. 1 with the bracketed center section removed; and,

FIG. 10 is an enlarged bottom view of the tie strap of FIG. 1 with the bracketed center section removed.

**1 Claim, 6 Drawing Sheets**



(56)

References Cited

U.S. PATENT DOCUMENTS

4,347,648 A \* 9/1982 Dekkers ..... B65D 63/1063  
24/16 PB  
4,473,524 A 9/1984 Paradis  
4,688,302 A \* 8/1987 Caveney ..... B65D 63/1072  
24/16 PB  
4,754,529 A \* 7/1988 Paradis ..... B29C 45/0055  
24/16 B  
4,788,751 A \* 12/1988 Shely ..... B65D 63/1072  
24/16 PB  
4,897,899 A 2/1990 Shely  
4,951,362 A 8/1990 Denemark  
5,193,254 A 3/1993 Geisinger  
5,267,373 A \* 12/1993 Chisek ..... B65D 63/1072  
24/16 PB  
5,295,285 A 3/1994 Shely  
5,317,787 A 6/1994 Fortsch  
5,601,261 A \* 2/1997 Koike ..... B60R 16/0215  
24/16 PB  
5,628,348 A \* 5/1997 Scott ..... B65B 13/027  
140/123.5  
5,630,252 A \* 5/1997 Wells ..... B65D 63/1036  
24/16 PB  
D380,375 S \* 7/1997 Rohaly ..... D8/394  
5,669,111 A \* 9/1997 Rohaly ..... B65D 63/1072  
24/16 PB  
D389,051 S \* 1/1998 Caveney ..... 24/16 PB  
5,836,053 A \* 11/1998 Davignon ..... F16L 3/233  
24/16 PB  
6,079,657 A \* 6/2000 Hwang ..... B65H 75/406  
191/12.4  
6,105,210 A \* 8/2000 Benoit ..... B65D 63/1063  
24/16 PB  
6,138,327 A 10/2000 Powell  
D444,054 S \* 6/2001 Bernard ..... D8/394  
6,279,203 B1 \* 8/2001 Hundley ..... B65D 63/1036  
24/16 PB  
6,430,783 B1 \* 8/2002 Benoit ..... B65D 63/1063  
24/16 PB  
6,484,366 B1 \* 11/2002 Deschenes ..... B65D 63/1063  
24/16 PB  
6,497,258 B1 \* 12/2002 Flannery ..... B65D 63/1063  
140/123.6  
D471,435 S \* 3/2003 Krisel ..... D8/396  
D488,374 S \* 4/2004 Hussaini ..... D8/396  
D530,600 S \* 10/2006 Krisel ..... D8/396  
D614,941 S \* 5/2010 Murphy ..... D8/387  
D619,887 S \* 7/2010 Colton ..... D8/396  
8,479,361 B2 7/2013 Every  
8,510,918 B2 8/2013 Shilale

D698,632 S \* 2/2014 Wang ..... D8/383  
D700,826 S \* 3/2014 Qin ..... D8/367  
D701,453 S \* 3/2014 Wang ..... D8/383  
8,726,468 B2 5/2014 Dyer  
8,739,387 B1 \* 6/2014 Frishberg ..... F16L 3/2332  
140/93 A  
D728,351 S \* 5/2015 Martinson ..... D8/373  
D728,352 S \* 5/2015 Martinson ..... D8/373  
9,021,665 B2 5/2015 Chen  
D732,945 S \* 6/2015 Asai ..... B65D 63/1063  
D8/356  
D749,409 S \* 2/2016 Martinson ..... D8/396  
D769,704 S \* 10/2016 Nitta ..... D8/387  
D776,516 S \* 1/2017 Geiger ..... D8/356  
D778,148 S \* 2/2017 Iwahara ..... D8/383  
D778,710 S \* 2/2017 Nagayasu ..... D8/356  
D779,314 S \* 2/2017 Adams ..... D8/383  
D779,924 S \* 2/2017 Nagayasu ..... D8/356  
D781,136 S \* 3/2017 Nagayasu ..... D8/383  
D799,125 S \* 10/2017 Bolinger ..... D30/155  
D800,539 S \* 10/2017 Geiger ..... D8/356  
9,958,089 B2 \* 5/2018 Geiger ..... F16L 3/137  
D835,495 S \* 12/2018 Votel ..... D8/356  
D836,429 S \* 12/2018 Kozminske ..... B65D 63/1027  
D8/383  
D840,788 S \* 2/2019 Geiger ..... D8/356  
D844,416 S \* 4/2019 Dyer ..... F16L 3/2334  
D8/356  
D867,856 S \* 11/2019 Ruddick ..... D8/356  
D867,857 S \* 11/2019 Ruddick ..... D8/356  
D867,858 S \* 11/2019 Ruddick ..... D8/356  
D874,905 S \* 2/2020 Gaddy ..... D8/356  
D876,206 S \* 2/2020 Pinholster ..... D8/356  
2005/0115029 A1 \* 6/2005 Magno, Jr. .... F16L 3/2334  
24/16 PB  
2006/0162130 A1 7/2006 Cook  
2009/0172922 A1 \* 7/2009 Laporte ..... B65D 63/1063  
24/16 PB  
2010/0146742 A1 6/2010 Every  
2012/0272485 A1 11/2012 Liang  
2013/0067695 A1 3/2013 Giotto  
2014/0208547 A1 7/2014 Hollins  
2016/0214776 A1 7/2016 King  
2016/0355243 A1 \* 12/2016 Hynes ..... B63B 59/02  
2017/0327194 A1 \* 11/2017 Zimmerman ..... F16M 13/02

OTHER PUBLICATIONS

International Searching Authority, International Search Report and  
Written Opinion for related PCT Patent Application PCT/US18/  
40655, dated Sep. 28, 2018.

\* cited by examiner

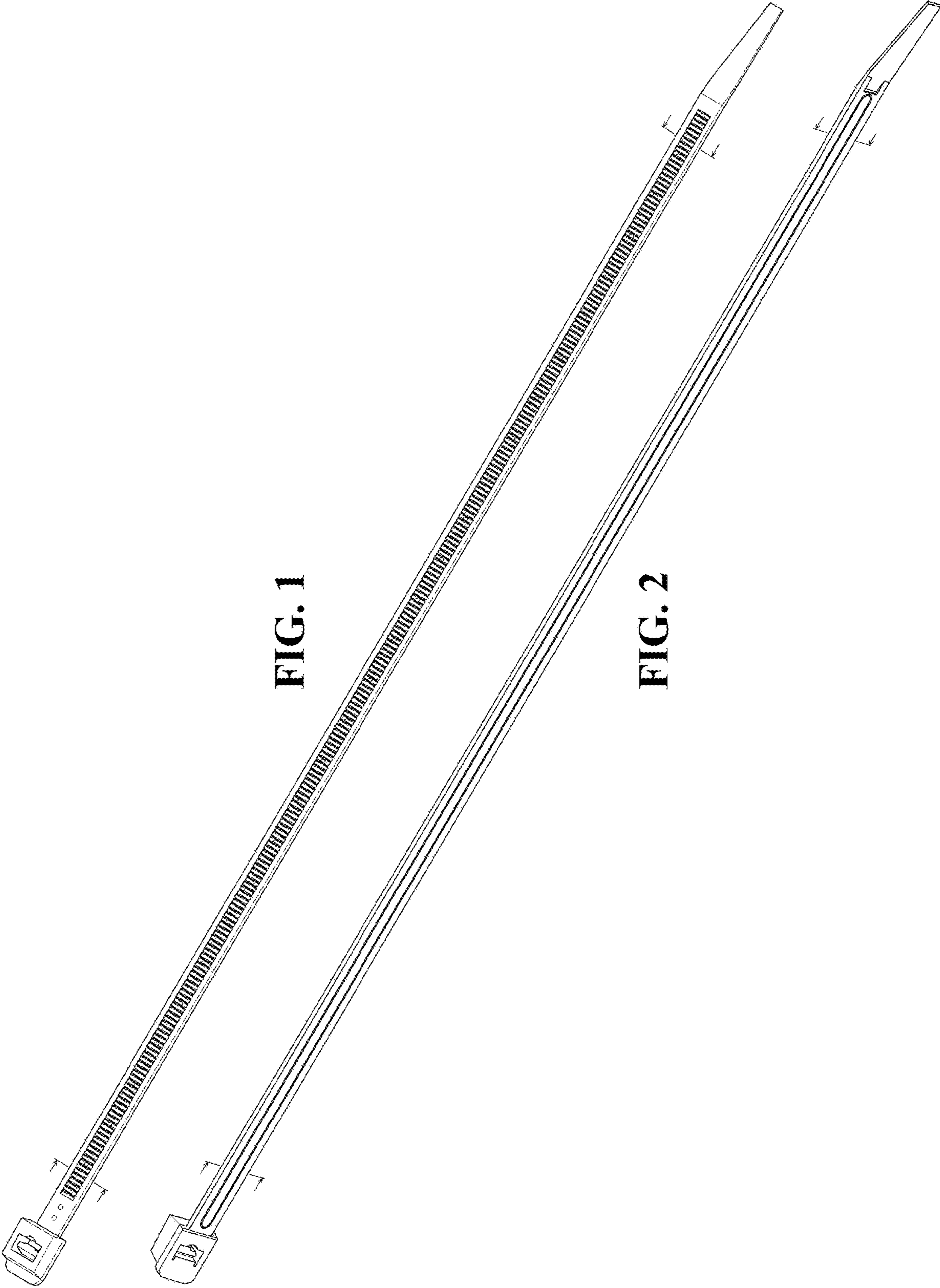


FIG. 1

FIG. 2

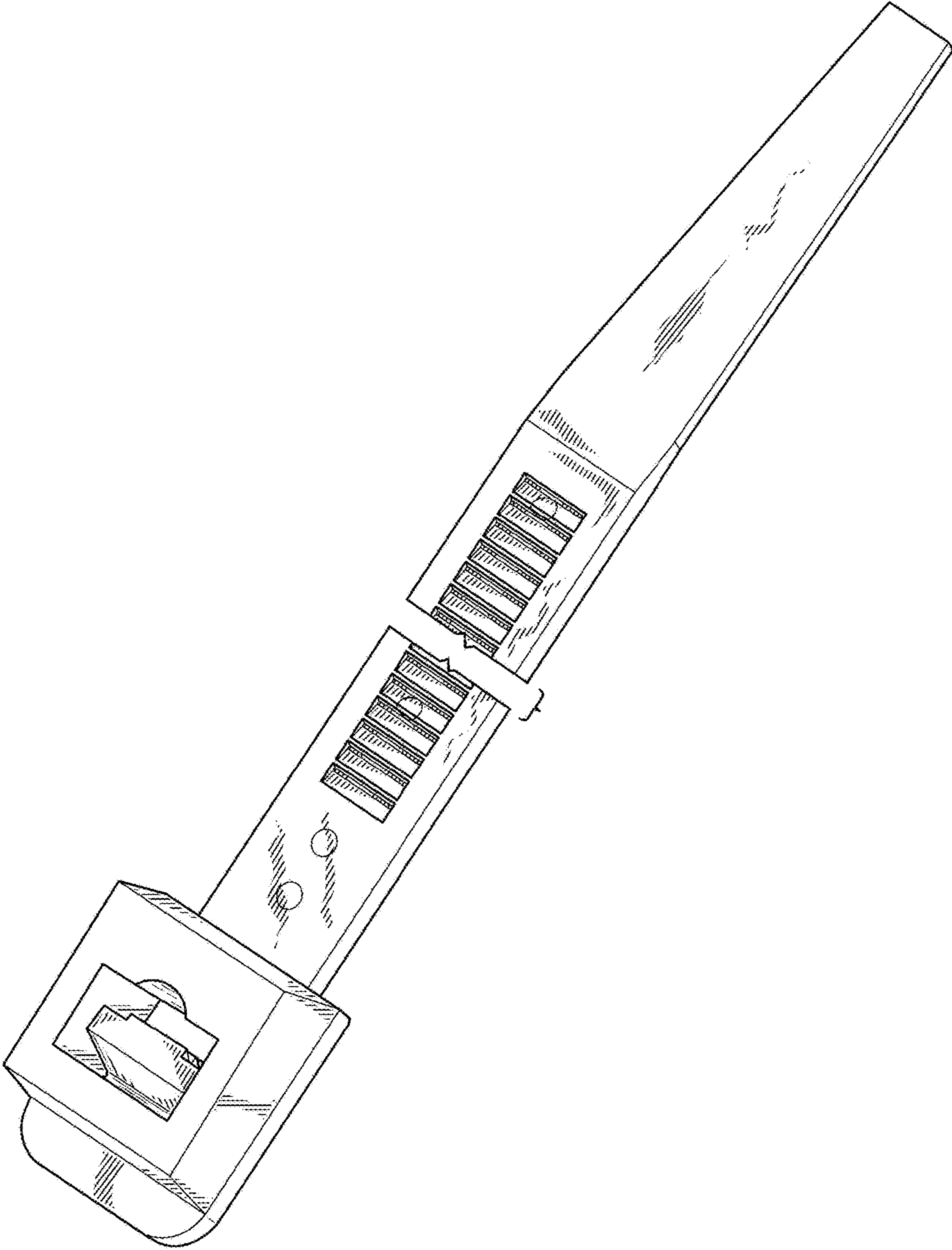


FIG. 3

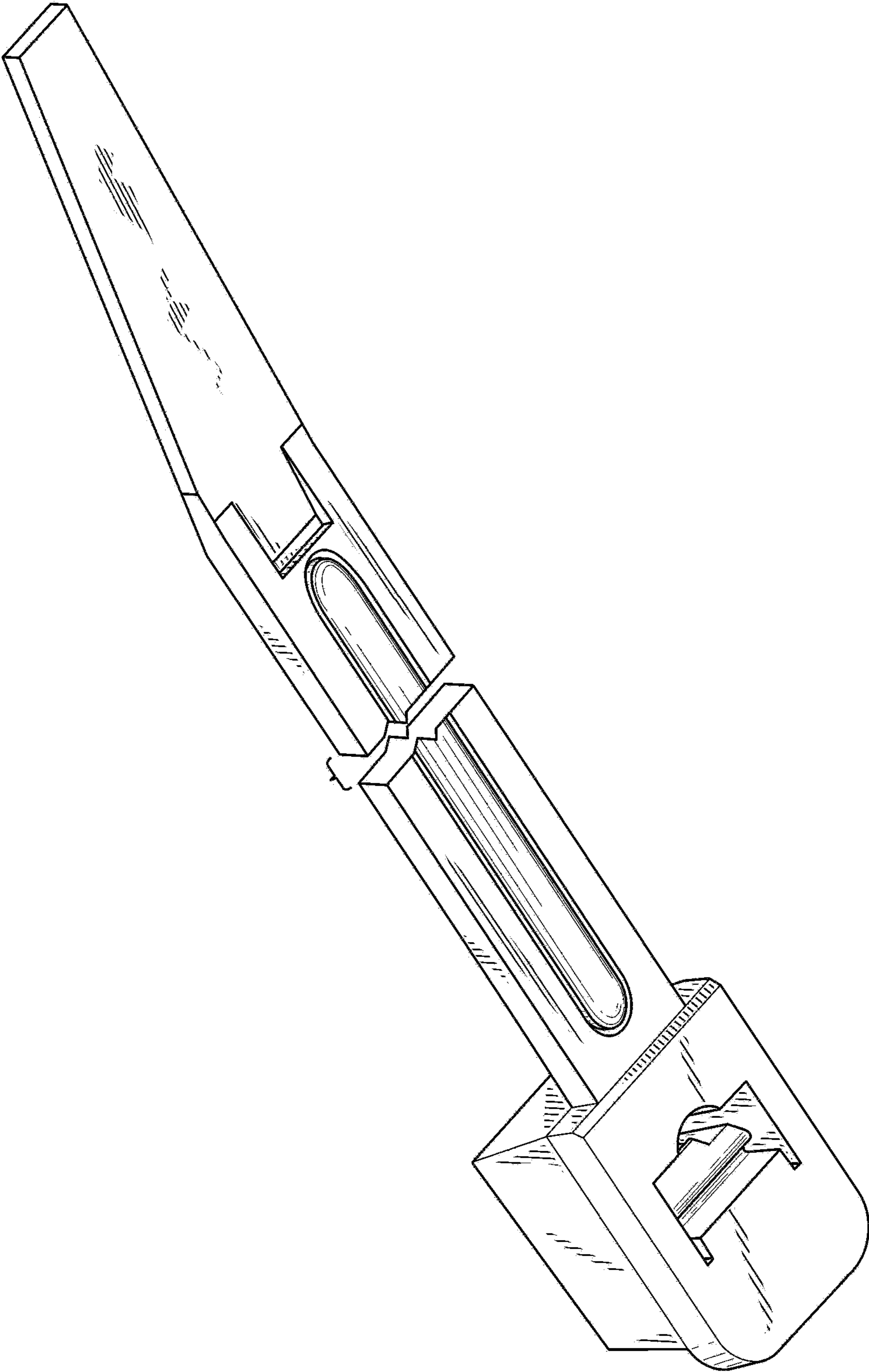
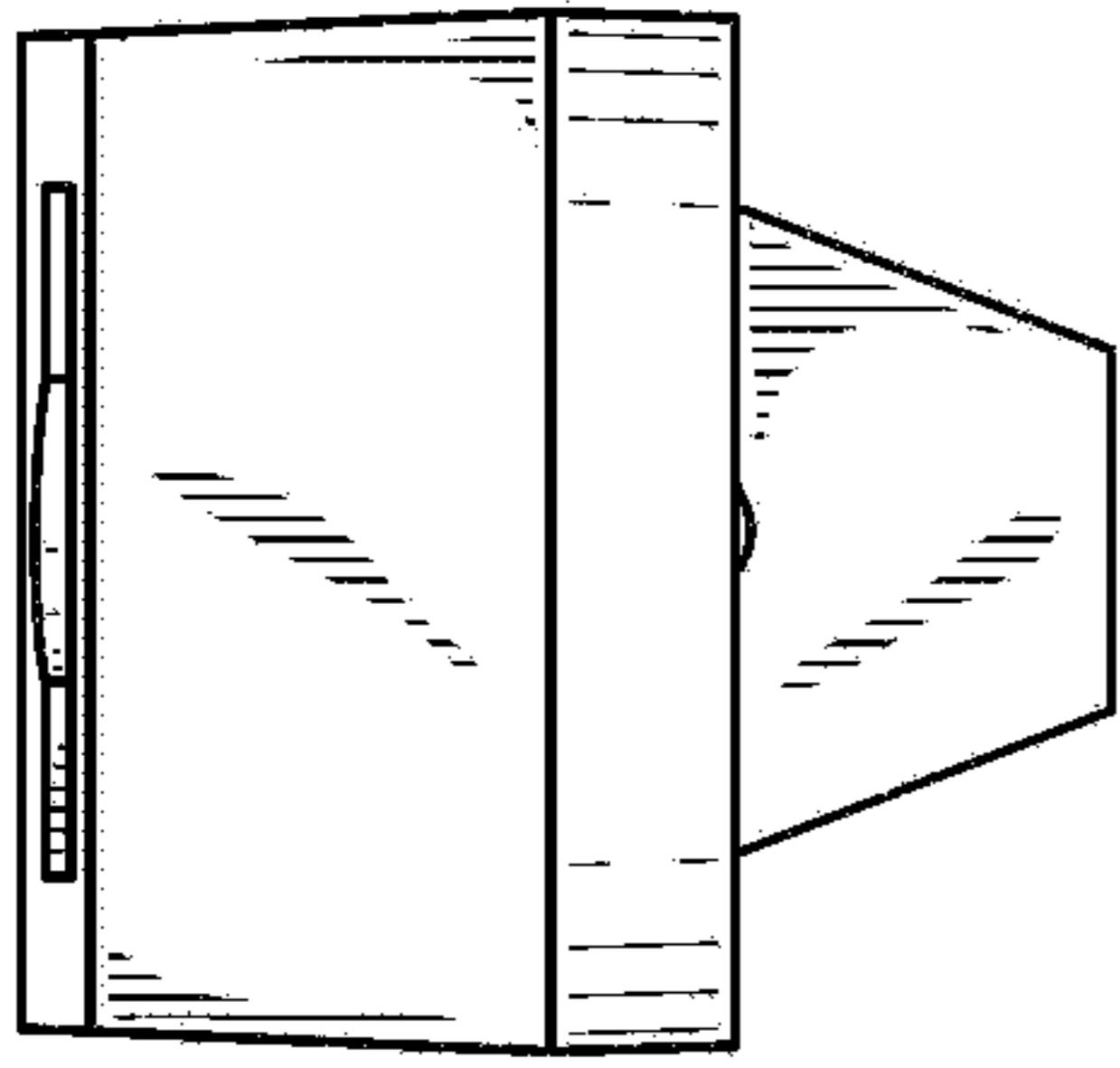
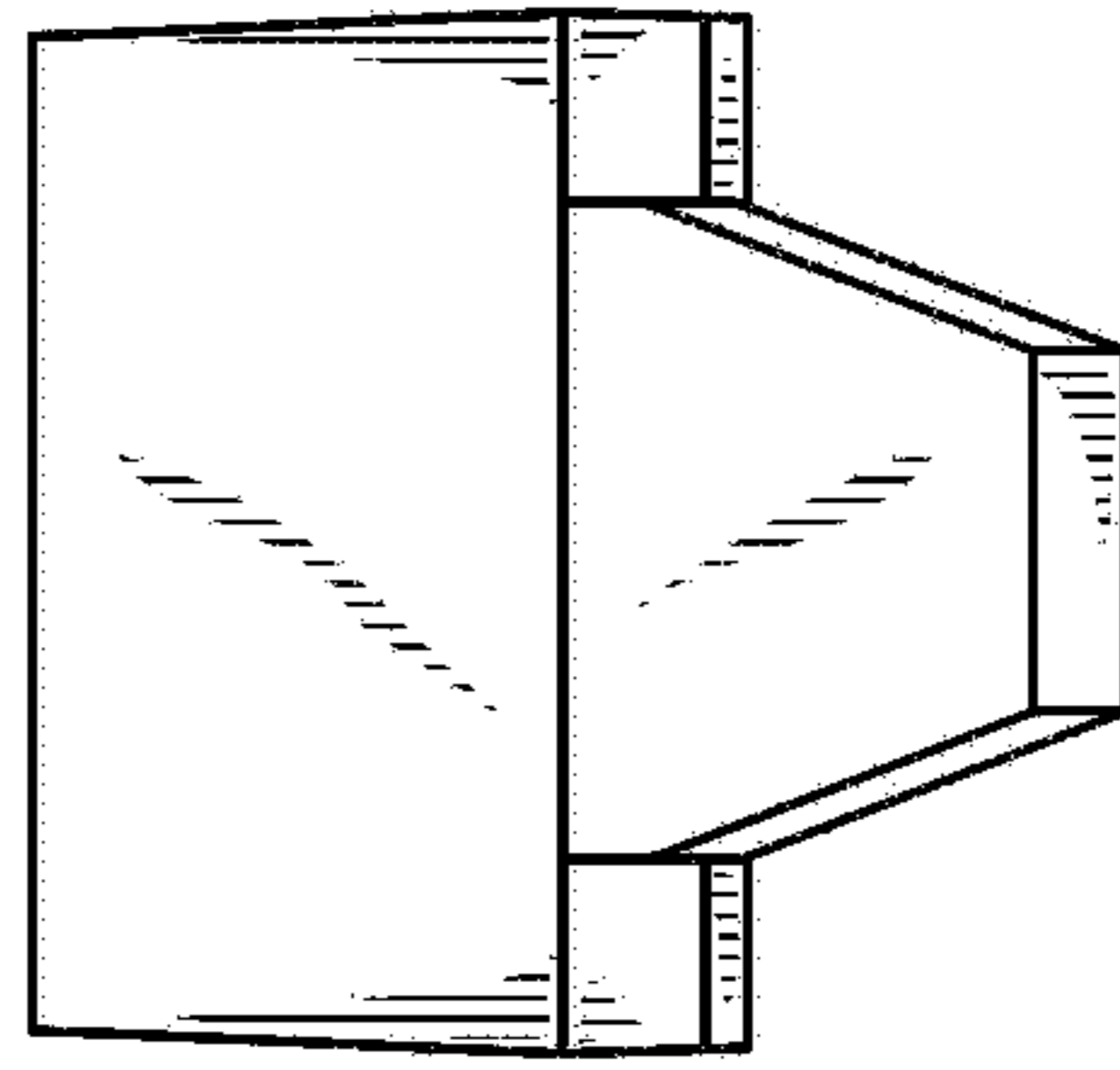


FIG. 4



**FIG. 5**



**FIG. 6**

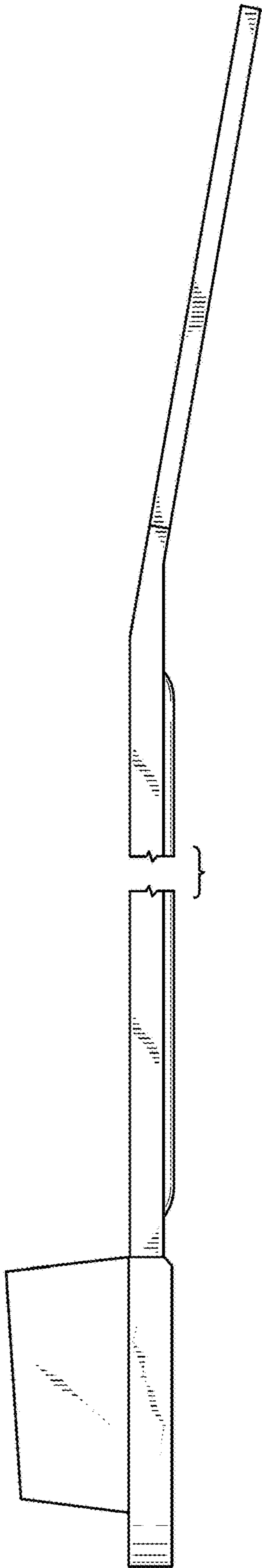


FIG. 7

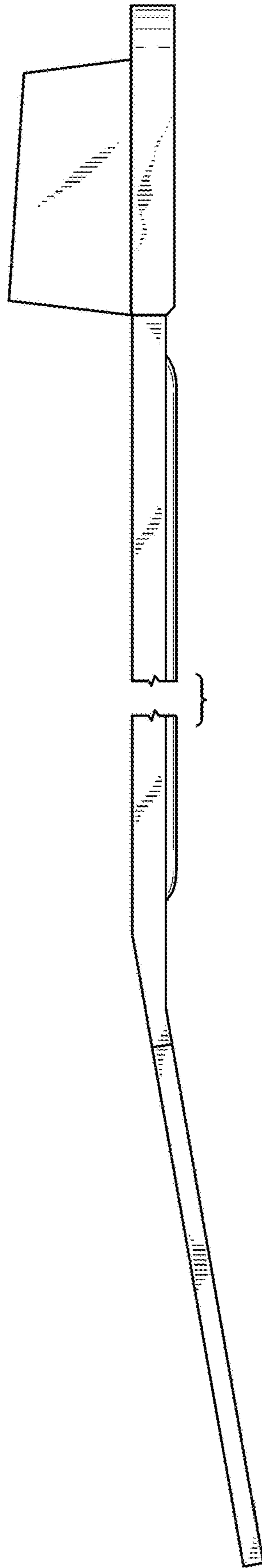


FIG. 8

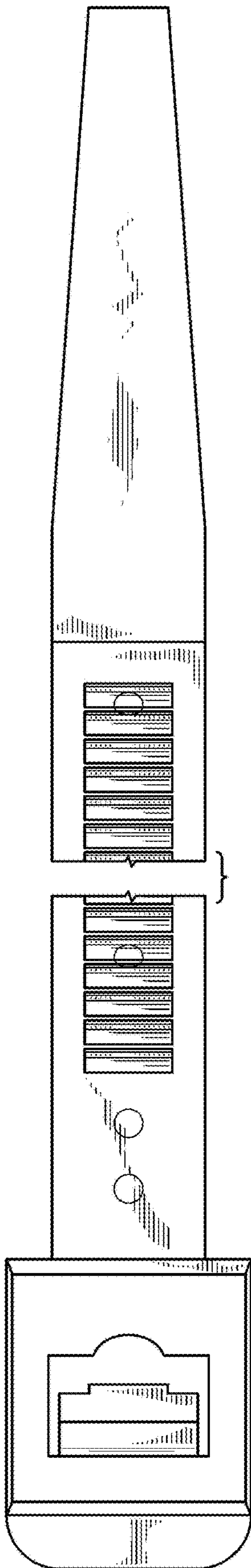


FIG. 9

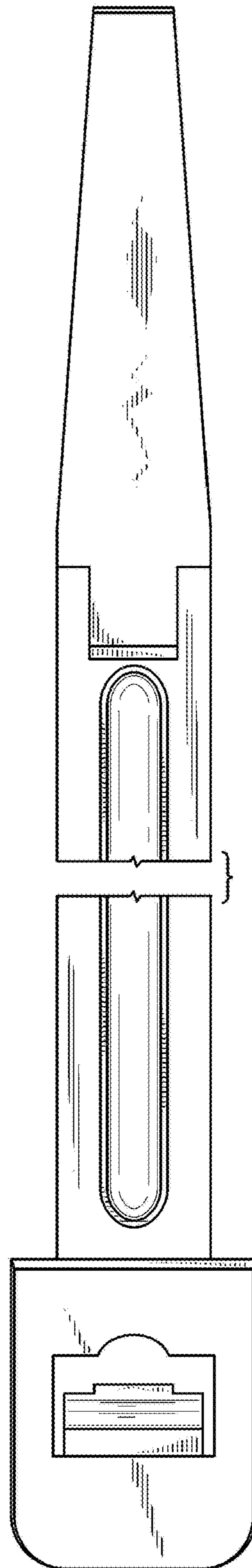


FIG. 10