



US00D888541S

(12) **United States Design Patent**
Cheng et al.

(10) **Patent No.:** **US D888,541 S**

(45) **Date of Patent:** **** Jun. 30, 2020**

(54) **MOUNT**

(71) Applicants: **Carson Cheng**, City of Industry, CA (US); **Michael Cheng**, City of Industry, CA (US); **Richard Thomas**, City of Industry, CA (US)

(72) Inventors: **Carson Cheng**, City of Industry, CA (US); **Michael Cheng**, City of Industry, CA (US); **Richard Thomas**, City of Industry, CA (US)

(73) Assignee: **NcSTAR Inc.**, City of Industry, CA (US)

(**) Term: **15 Years**

(21) Appl. No.: **29/693,262**

(22) Filed: **May 31, 2019**

(51) **LOC (12) Cl.** **08-05**

(52) **U.S. Cl.**
USPC **D8/354**; D22/109

(58) **Field of Classification Search**
USPC D8/354, 349, 353, 380; D22/109, 110, D22/108

CPC F41A 9/70; F41A 9/65; F41A 9/71; F41A 9/68; F41A 9/69; F41A 9/61; F41A 9/00; F41A 9/17; F41A 9/23; F41A 9/34; F41A 9/84

See application file for complete search history.

(56) **References Cited**

U.S. PATENT DOCUMENTS

D435,885 S * 1/2001 Wallace D22/100
D510,120 S * 9/2005 Ding D22/108
D533,618 S * 12/2006 Swan D22/110
7,481,016 B2 * 1/2009 Gonzalez F41C 23/16
42/124

D634,389 S * 3/2011 Lin D22/108
D637,683 S * 5/2011 Salsman, Sr. D22/108
D654,134 S * 2/2012 Edge D22/108
D676,095 S * 2/2013 Peterson D22/108
D683,417 S * 5/2013 Daniel D22/108
8,468,733 B2 * 6/2013 Deros F41G 11/003
42/90
8,522,469 B2 * 9/2013 Baker F41G 11/003
42/124
D705,885 S * 5/2014 Peterson D22/108
8,763,299 B2 * 7/2014 Clifton F41G 1/387
42/125
D718,832 S * 12/2014 Huang D22/108
D725,223 S * 3/2015 Heidkamp D22/109
D726,864 S * 4/2015 Huang, Sr. D22/108
9,015,982 B1 * 4/2015 Powers F41G 1/44
42/119
D733,249 S * 6/2015 Cheng D22/109
D737,923 S * 9/2015 Norberg D22/108
D737,925 S * 9/2015 Norberg D22/109

(Continued)

Primary Examiner — Keli L Hill

Assistant Examiner — Harold E Blackwell, II

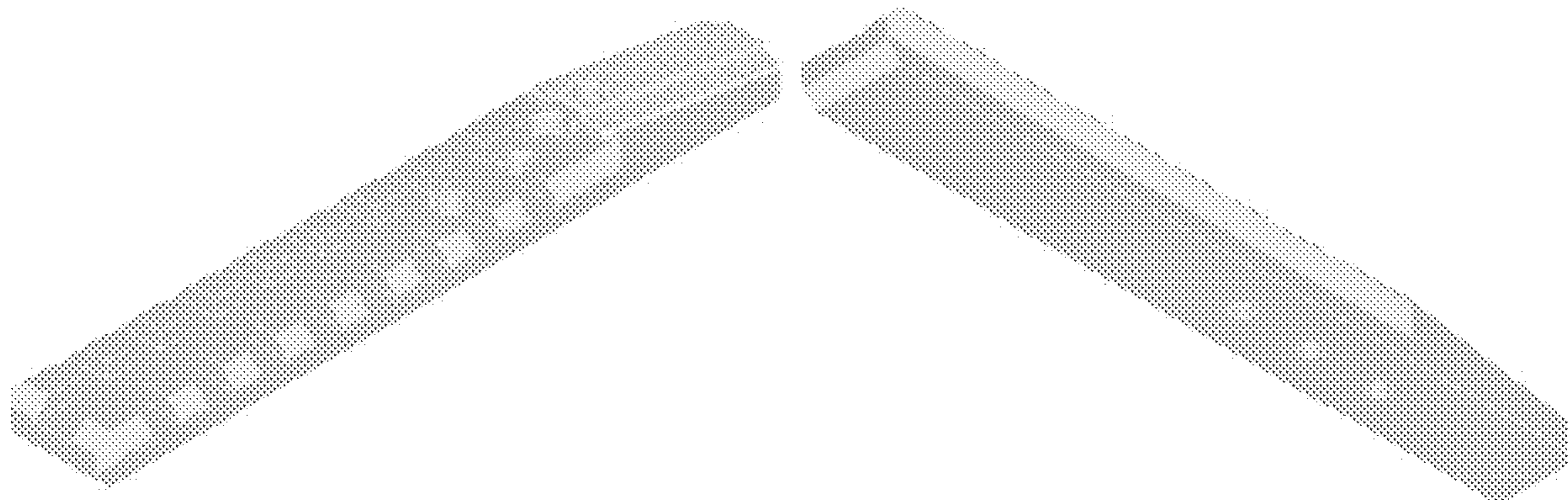
(57) **CLAIM**

The ornamental design for a mount, as shown and described.

DESCRIPTION

FIG. 1 is a front view of the mount of our new design;
FIG. 2 is a rear view thereof;
FIG. 3 is a left view thereof;
FIG. 4 is a right view thereof;
FIG. 5 is a top view thereof;
FIG. 6 is a bottom view thereof;
FIG. 7 is a top, front and left perspective view thereof;
FIG. 8 is a bottom, front and left perspective view thereof;
FIG. 9 is a top, rear and right perspective view thereof; and,
FIG. 10 is a bottom, rear and right perspective view thereof.

1 Claim, 7 Drawing Sheets



(56)

References Cited

U.S. PATENT DOCUMENTS

D837,330	S *	1/2019	Ding	D22/108
D839,378	S *	1/2019	Storch	D22/110
10,240,901	B1 *	3/2019	Cheng	F41G 11/003
D848,078	S *	5/2019	Griffith	D29/122
10,352,658	B1 *	7/2019	Aslin	F41G 11/001
10,436,537	B2 *	10/2019	Fudala	F41A 23/14
D877,843	S *	3/2020	Yu	D22/108
2007/0169393	A1 *	7/2007	Frost	F41G 11/003
					42/124
2015/0040456	A1 *	2/2015	Zimmer	F41G 1/02
					42/90
2018/0094904	A1 *	4/2018	Greenwood	F41G 11/003

* cited by examiner

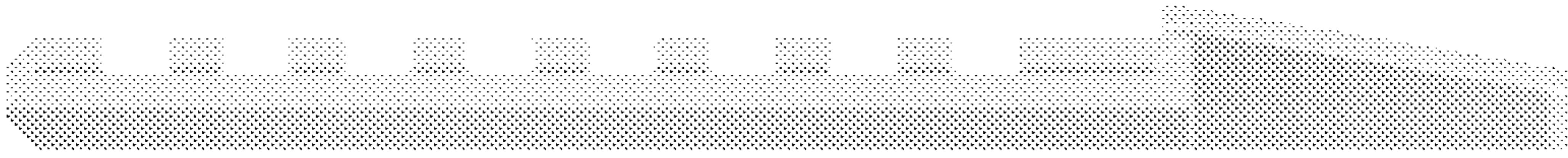


FIG. 1

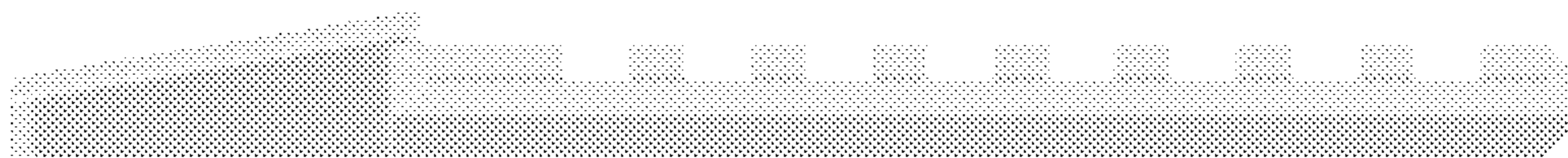


FIG. 2

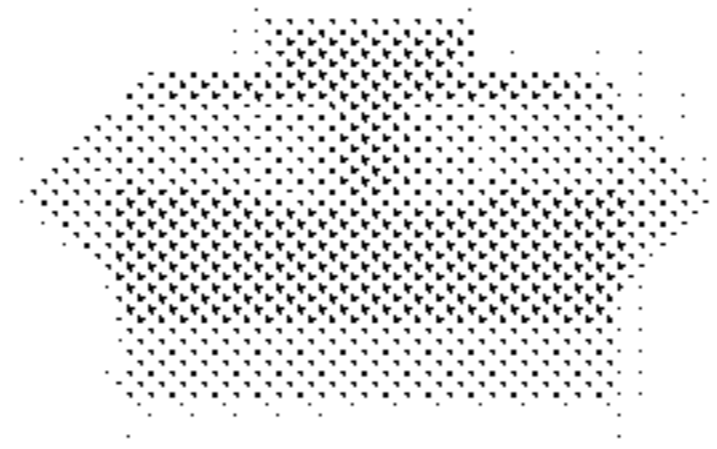


FIG. 3

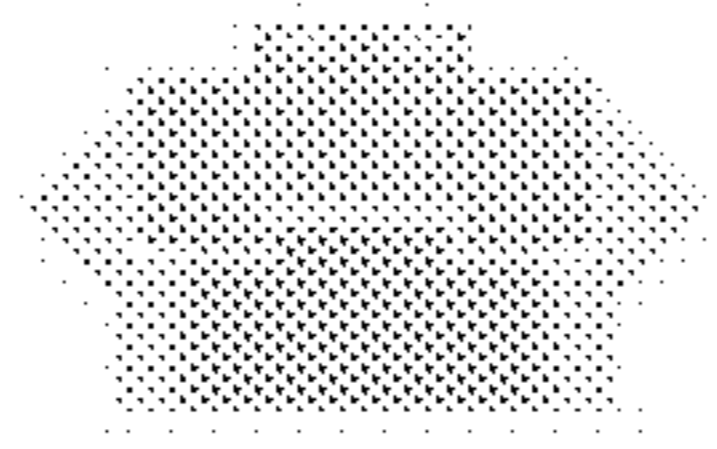


FIG. 4

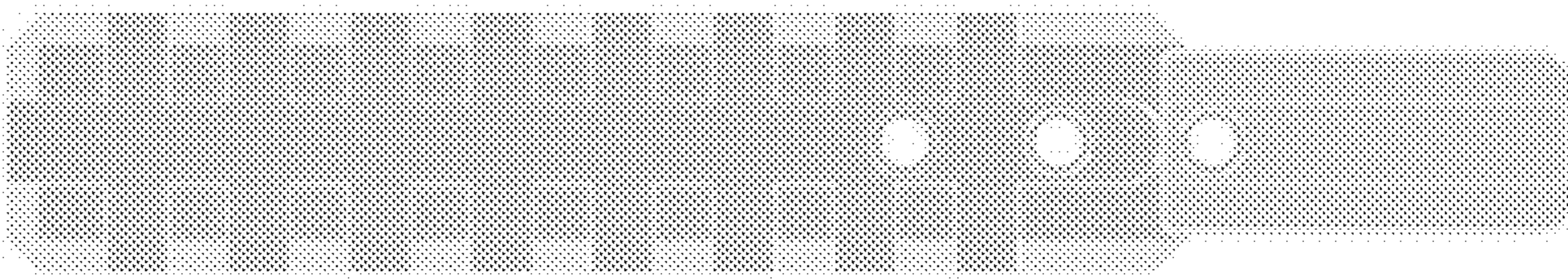


FIG. 5

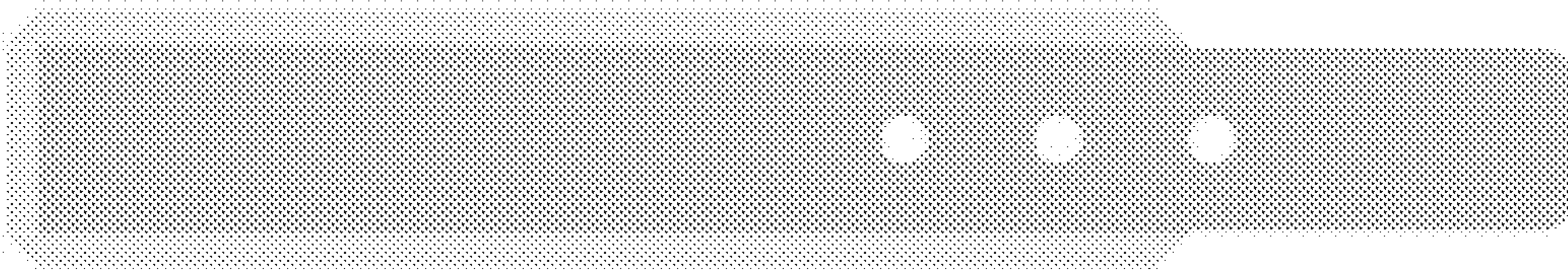


FIG. 6

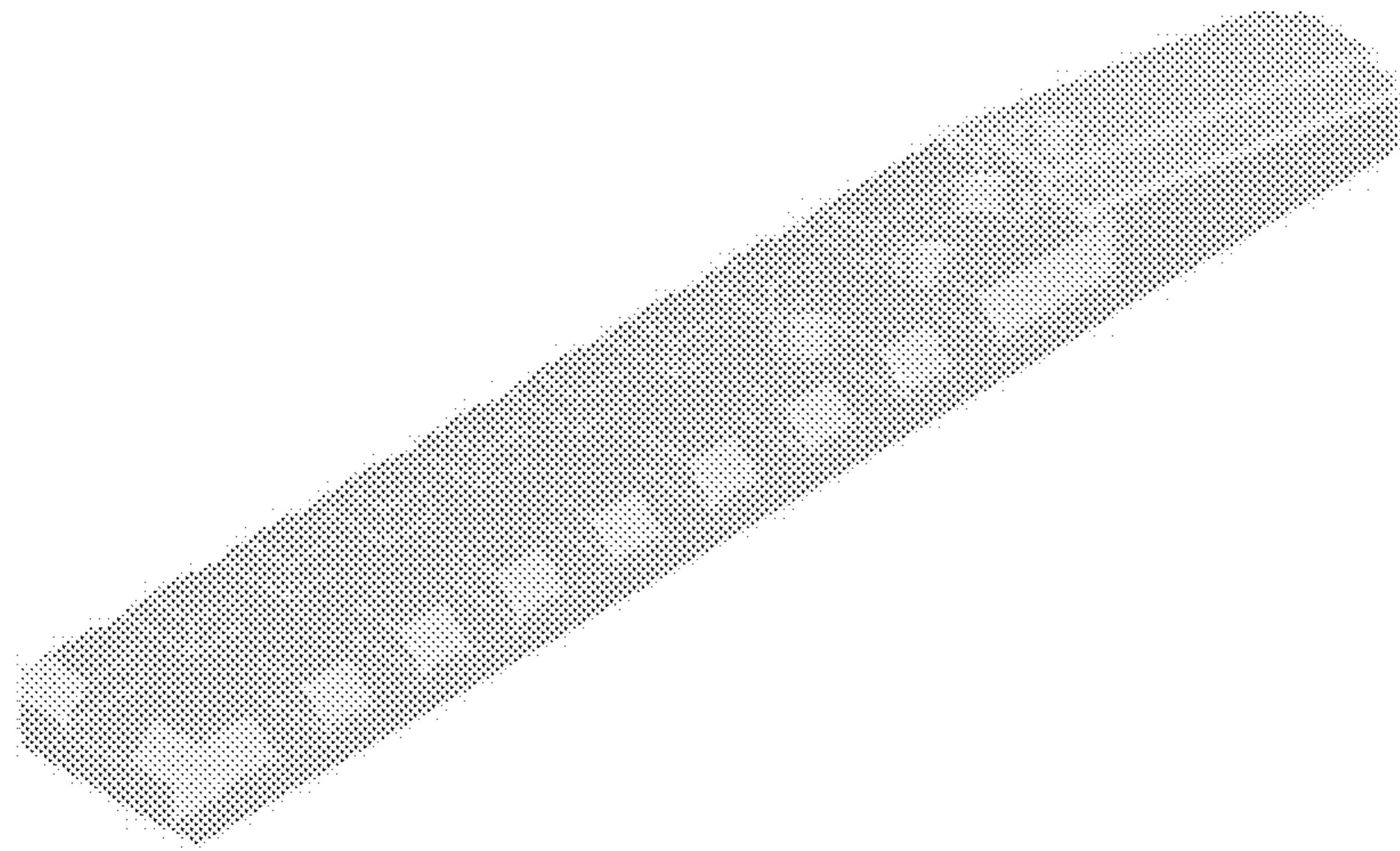


FIG. 7

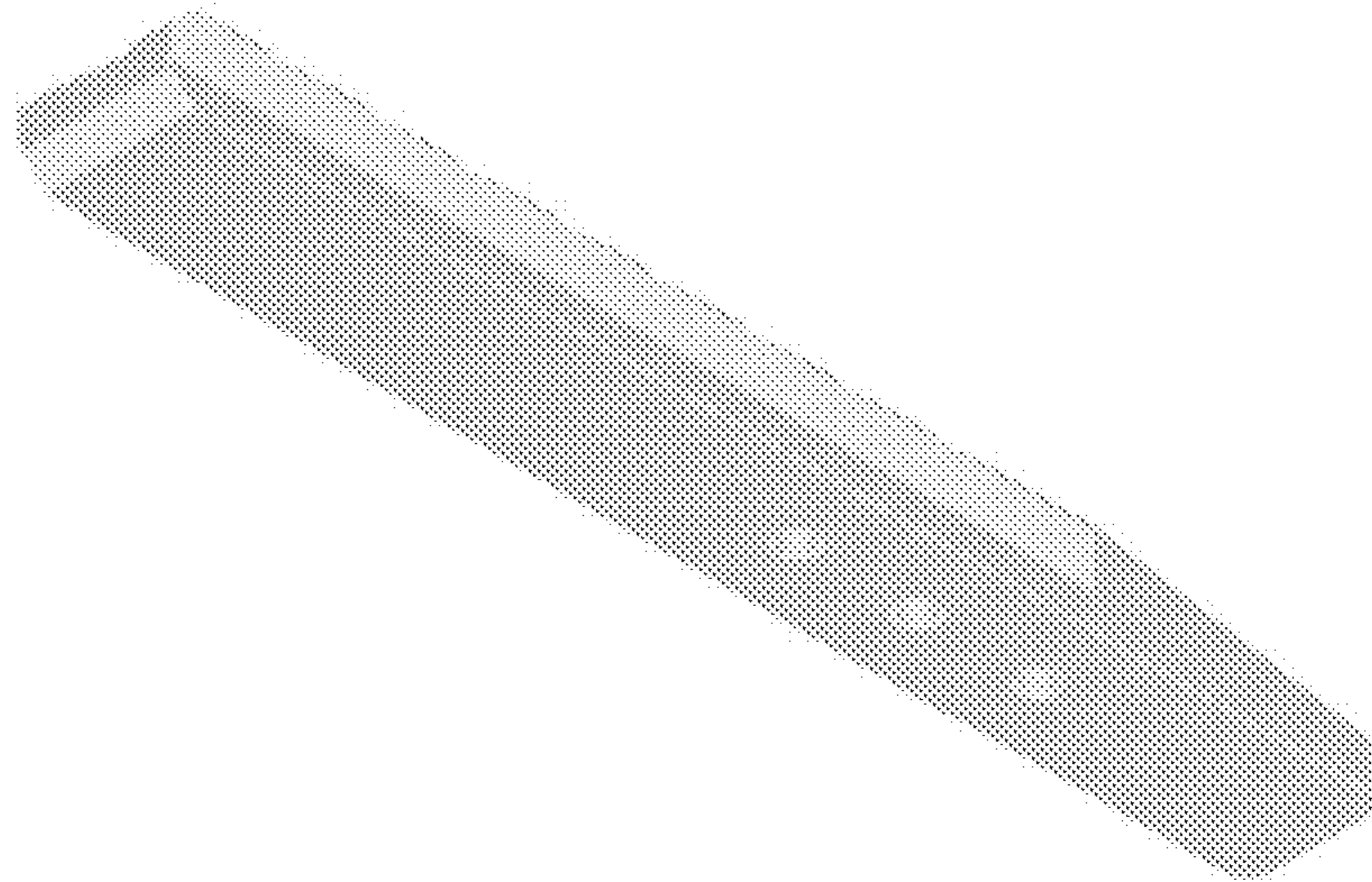


FIG. 8

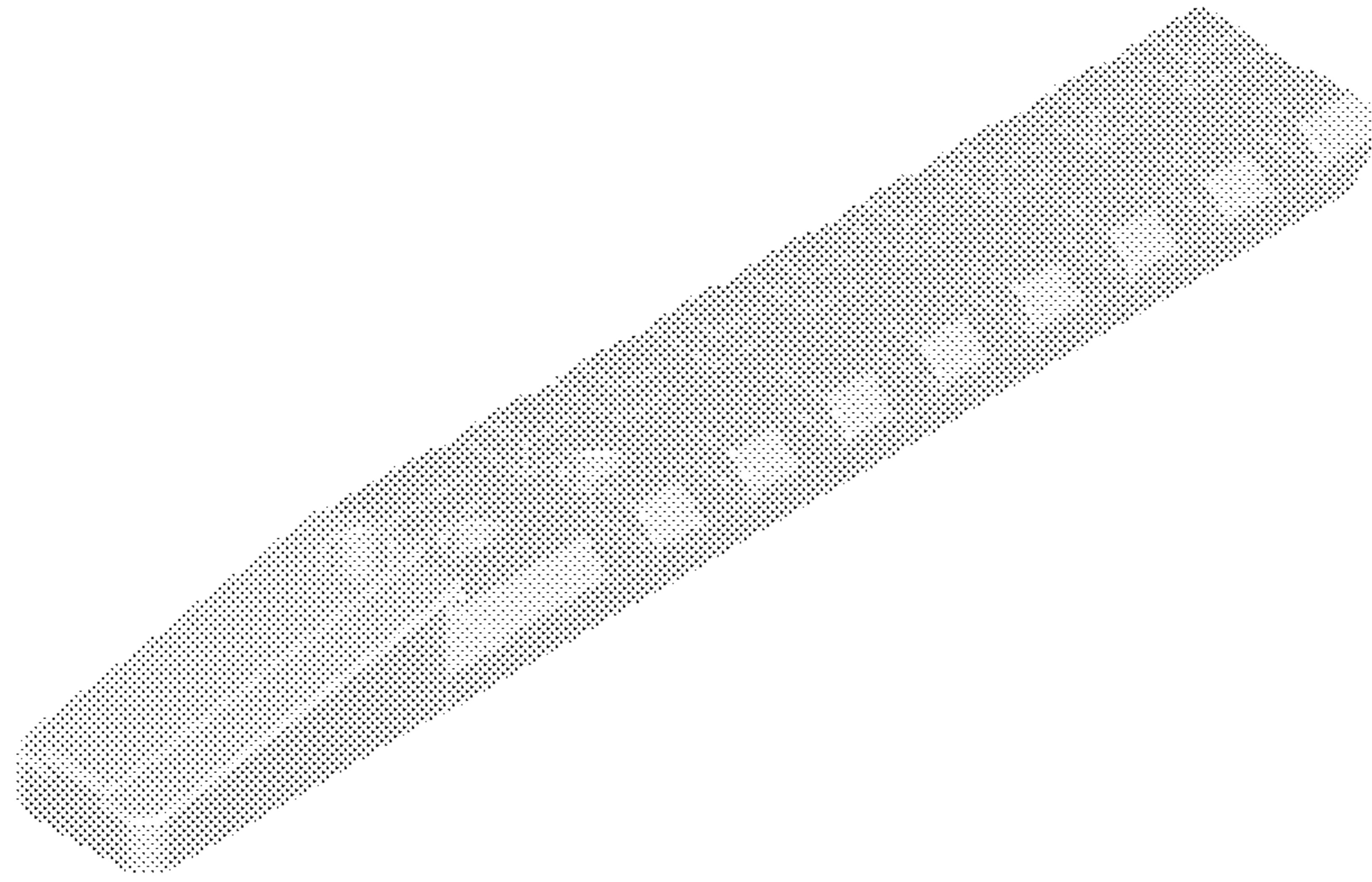


FIG. 9

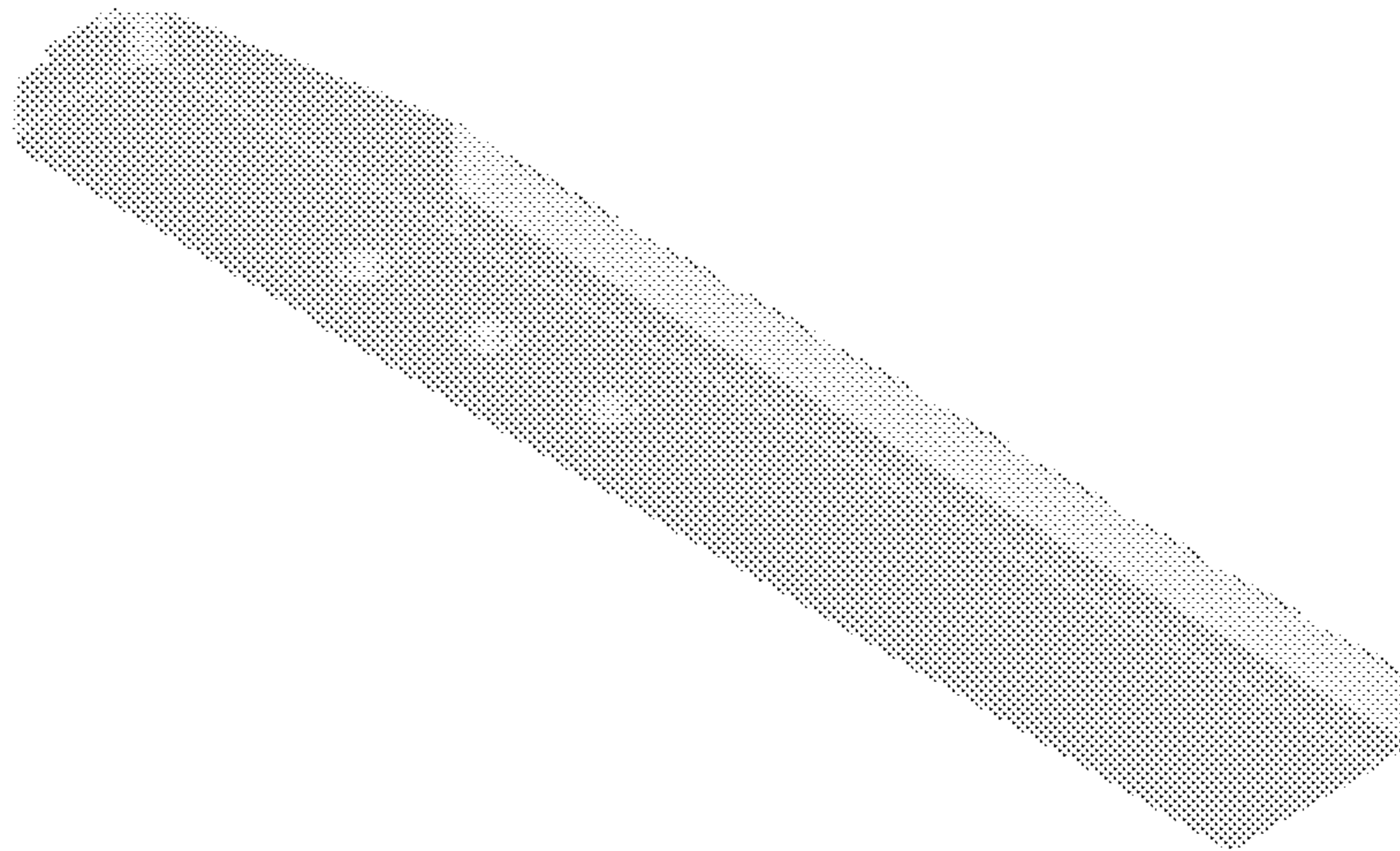


FIG. 10