



US00D888540S

(12) **United States Design Patent** (10) **Patent No.:** **US D888,540 S**
Cheng et al. (45) **Date of Patent:** **** Jun. 30, 2020**

(54) **MOUNT**

(71) Applicants: **Carson Cheng**, City of Industry, CA (US); **Michael Cheng**, City of Industry, CA (US); **Richard Thomas**, City of Industry, CA (US)

(72) Inventors: **Carson Cheng**, City of Industry, CA (US); **Michael Cheng**, City of Industry, CA (US); **Richard Thomas**, City of Industry, CA (US)

(73) Assignee: **NcSTAR Inc.**, City of Industry, CA (US)

(**) Term: **15 Years**

(21) Appl. No.: **29/693,205**

(22) Filed: **May 31, 2019**

(51) **LOC (12) Cl.** **08-05**

(52) **U.S. Cl.**
USPC **D8/354; D22/109**

(58) **Field of Classification Search**
USPC D8/354, 349, 353, 380; D22/109, 110, D22/108
CPC F41A 9/70; F41A 9/65; F41A 9/71; F41A 9/68; F41A 9/69; F41A 9/61; F41A 9/00; F41A 9/17; F41A 9/23; F41A 9/34; F41A 9/84

See application file for complete search history.

(56) **References Cited**

U.S. PATENT DOCUMENTS

D439,137 S *	3/2001	Ausilio	D8/354
6,439,561 B1 *	8/2002	Ausilio	B23Q 3/103 269/238
D732,631 S *	6/2015	Cheng	D22/109
D802,697 S *	11/2017	Dueck	D22/108
D830,158 S *	10/2018	Klein	D8/380
D831,778 S *	10/2018	Geissele	D22/109
D832,970 S *	11/2018	Jen	D22/108
D848,821 S *	5/2019	Cook	D8/354
D851,196 S *	6/2019	Chester	D22/108

* cited by examiner

Primary Examiner — Keli L Hill

Assistant Examiner — Harold E Blackwell, II

(57) **CLAIM**

The ornamental design for a mount, as shown and described.

DESCRIPTION

FIG. 1 is a front view of the mount of our new design;
FIG. 2 is a rear view thereof;
FIG. 3 is a right view thereof;
FIG. 4 is a left view thereof;
FIG. 5 is a top view thereof;
FIG. 6 is a bottom view thereof;
FIG. 7 is a top, front and left perspective view thereof;
FIG. 8 is a bottom, front and left perspective view thereof;
FIG. 9 is a top, rear and right perspective view thereof; and,
FIG. 10 is a bottom, rear and right perspective view thereof.

1 Claim, 8 Drawing Sheets

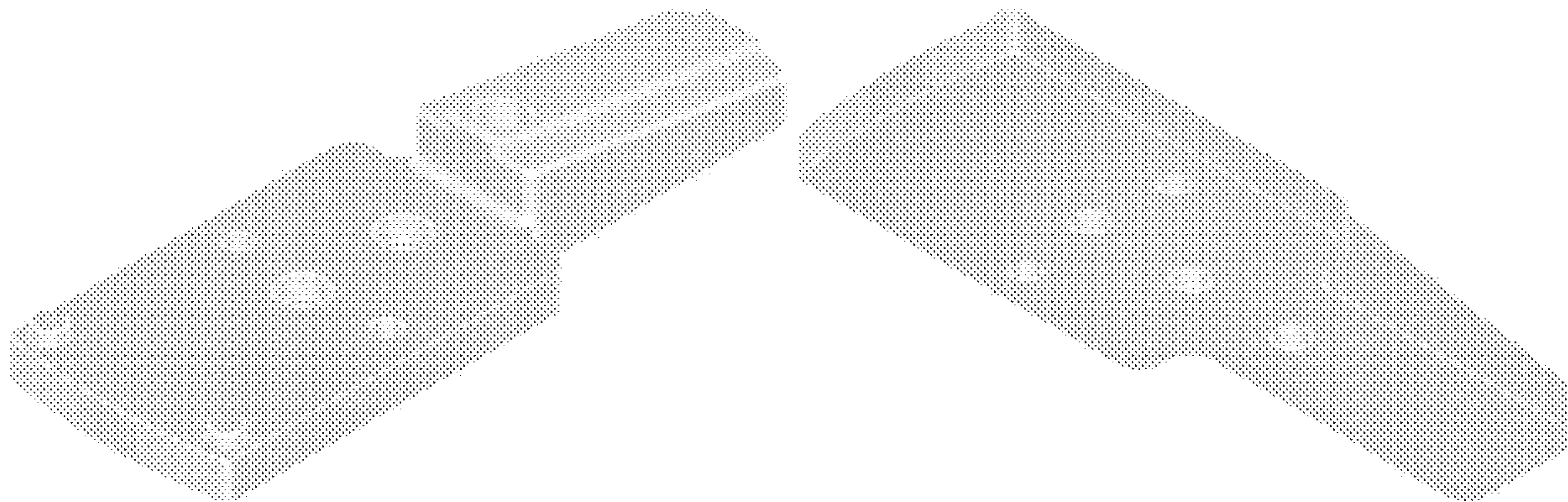




FIG. 1



FIG. 2

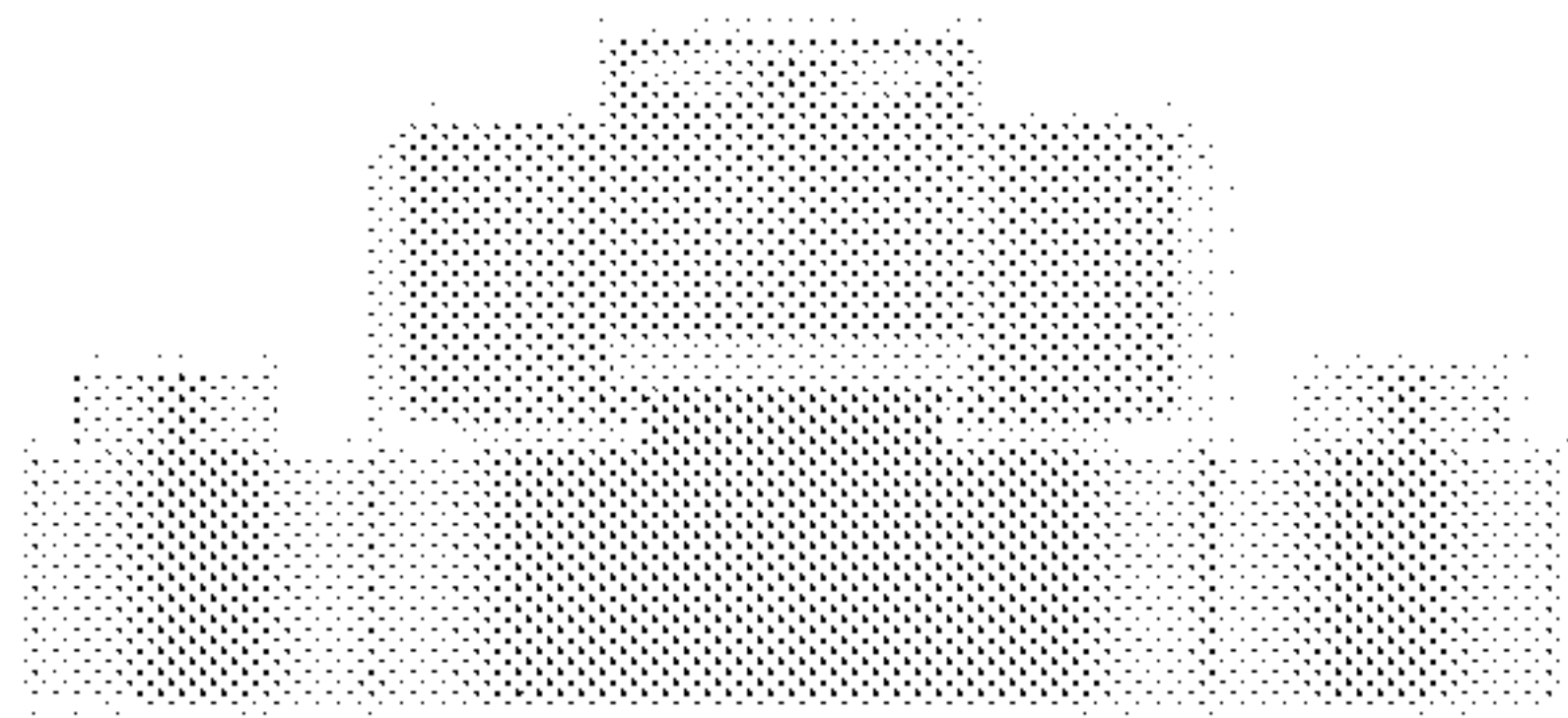


FIG. 3

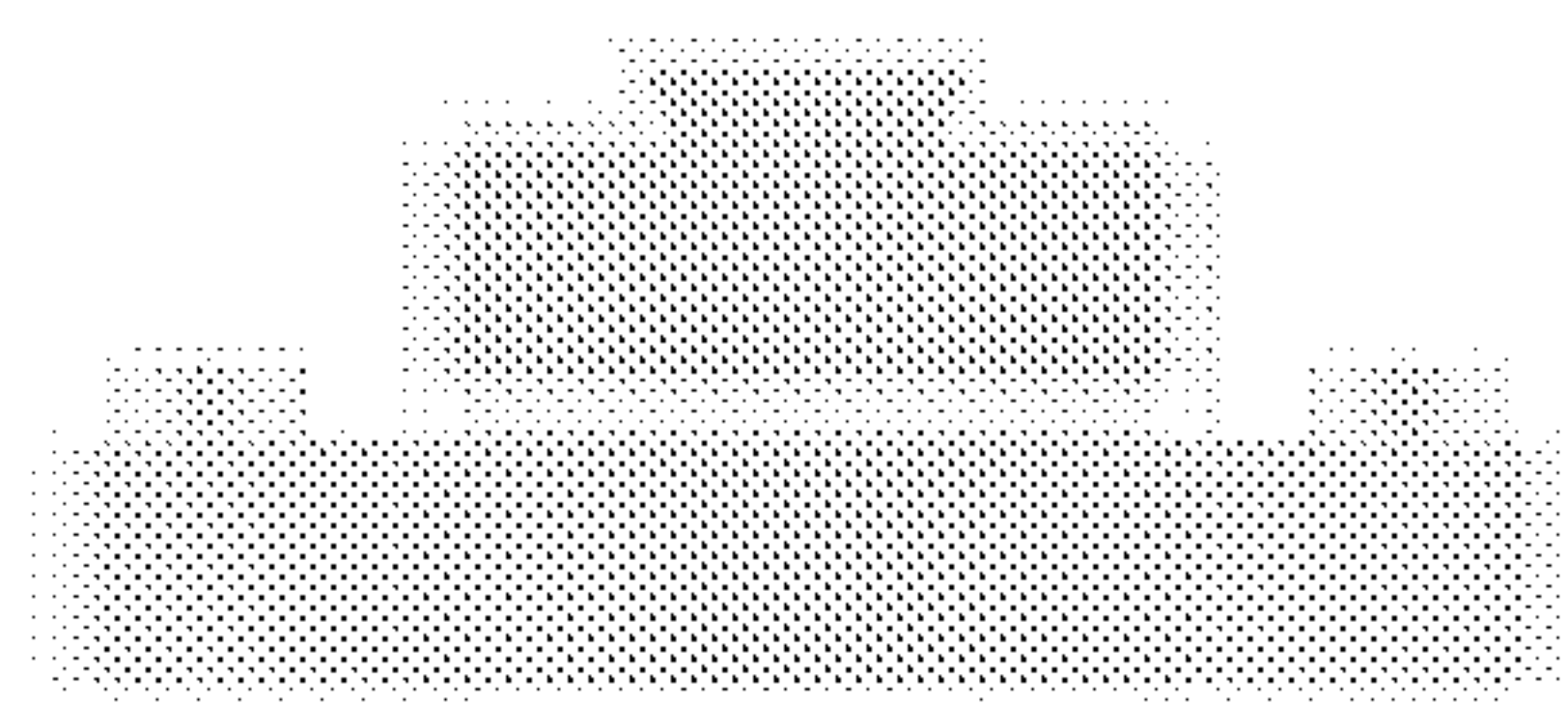


FIG. 4

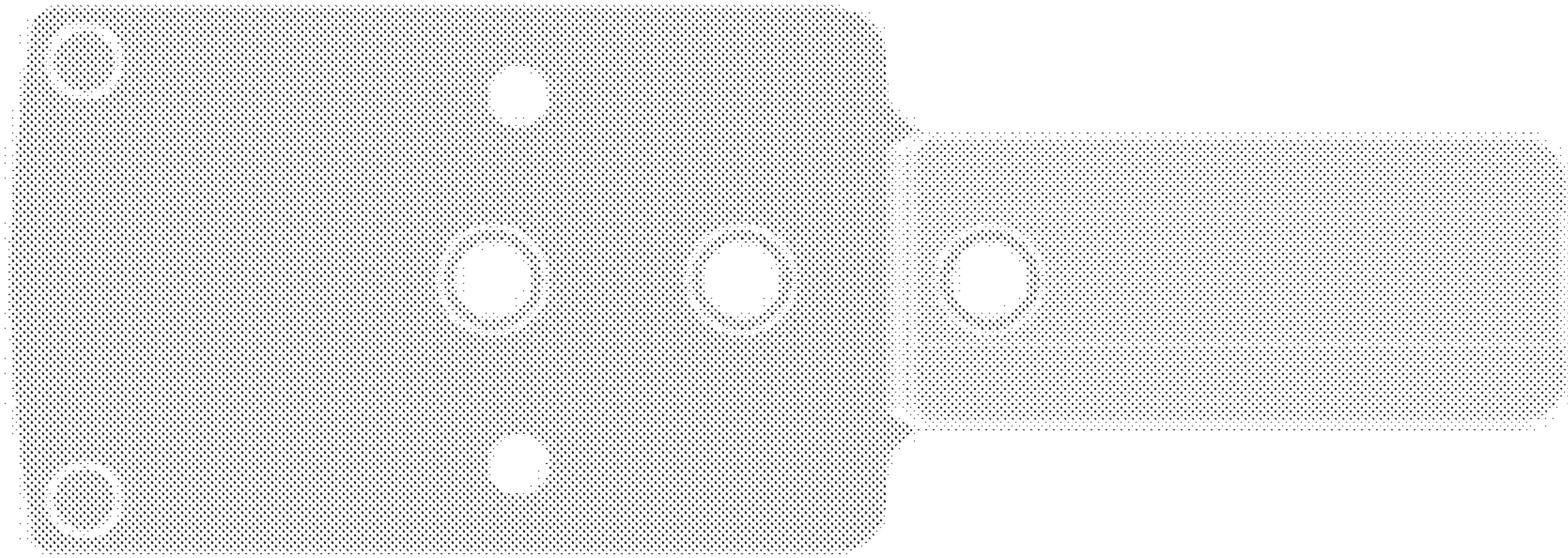


FIG. 5

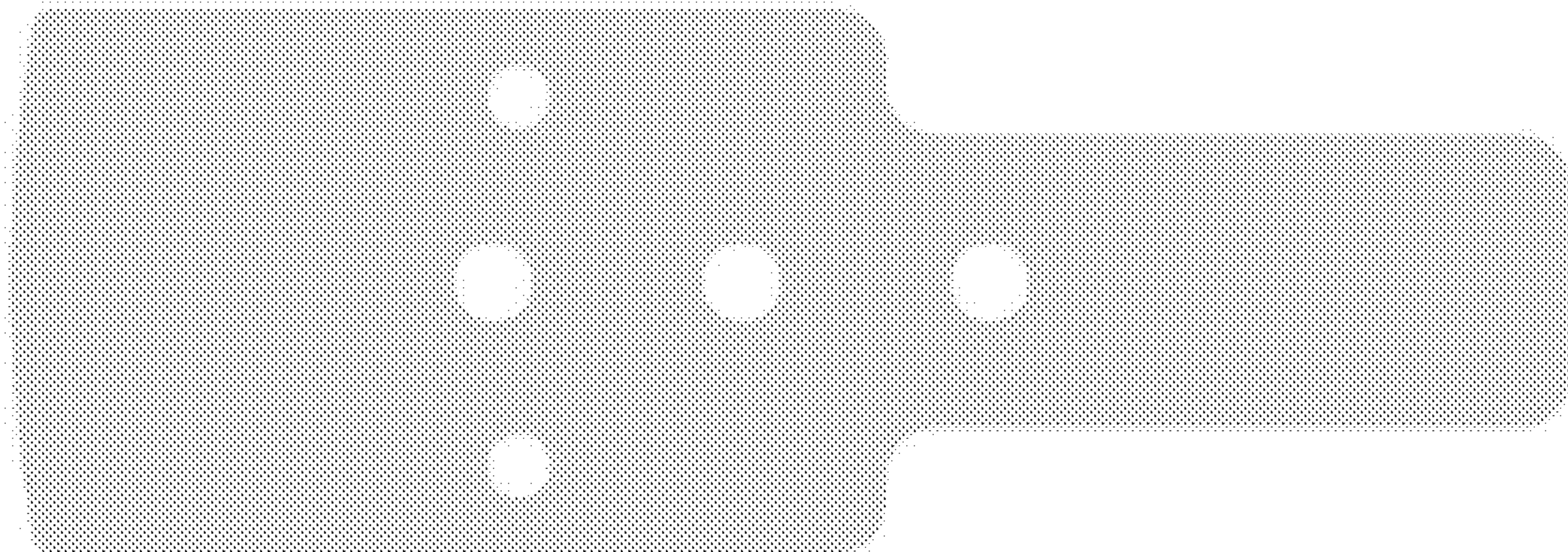


FIG. 6

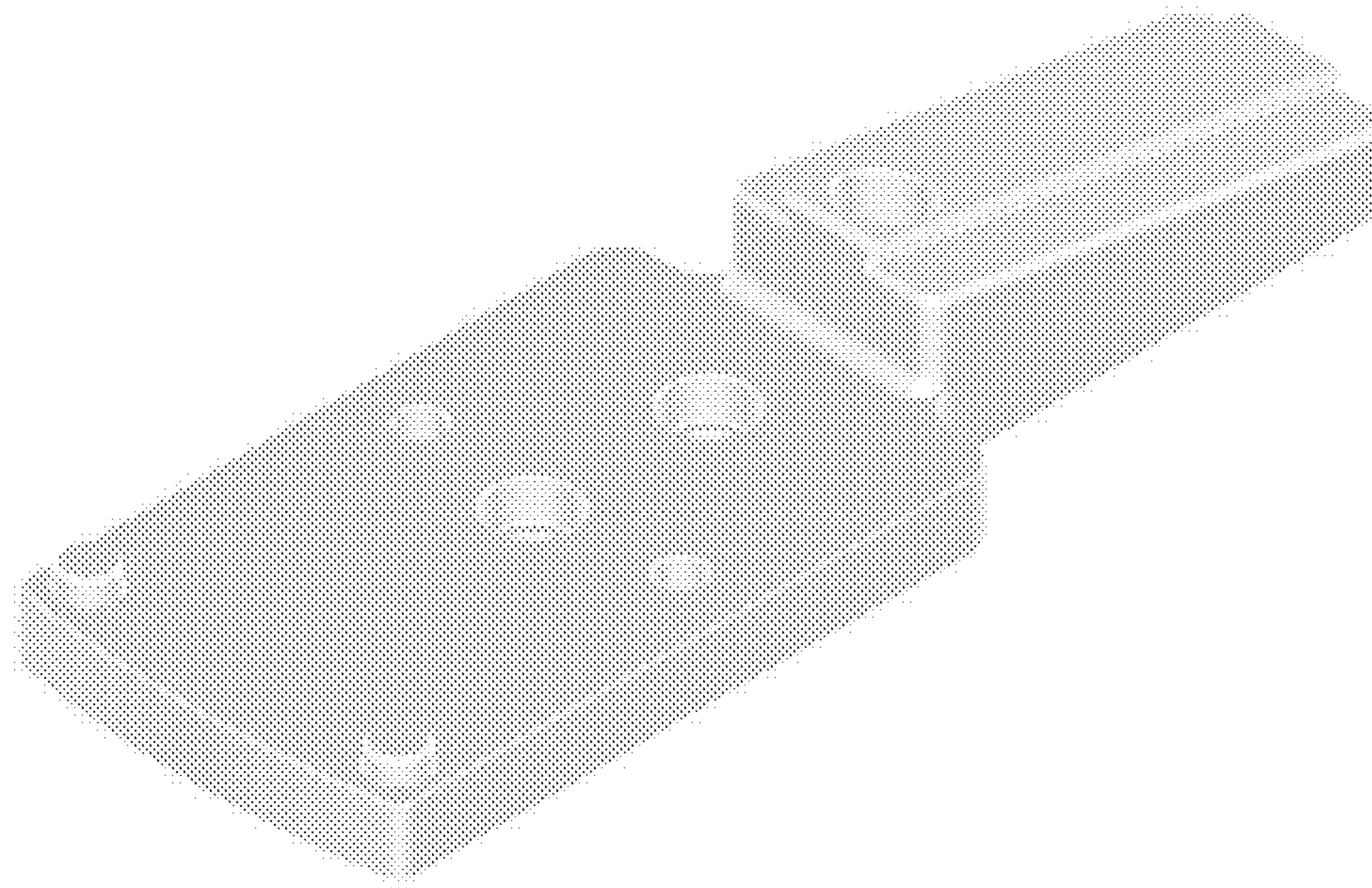


FIG. 7

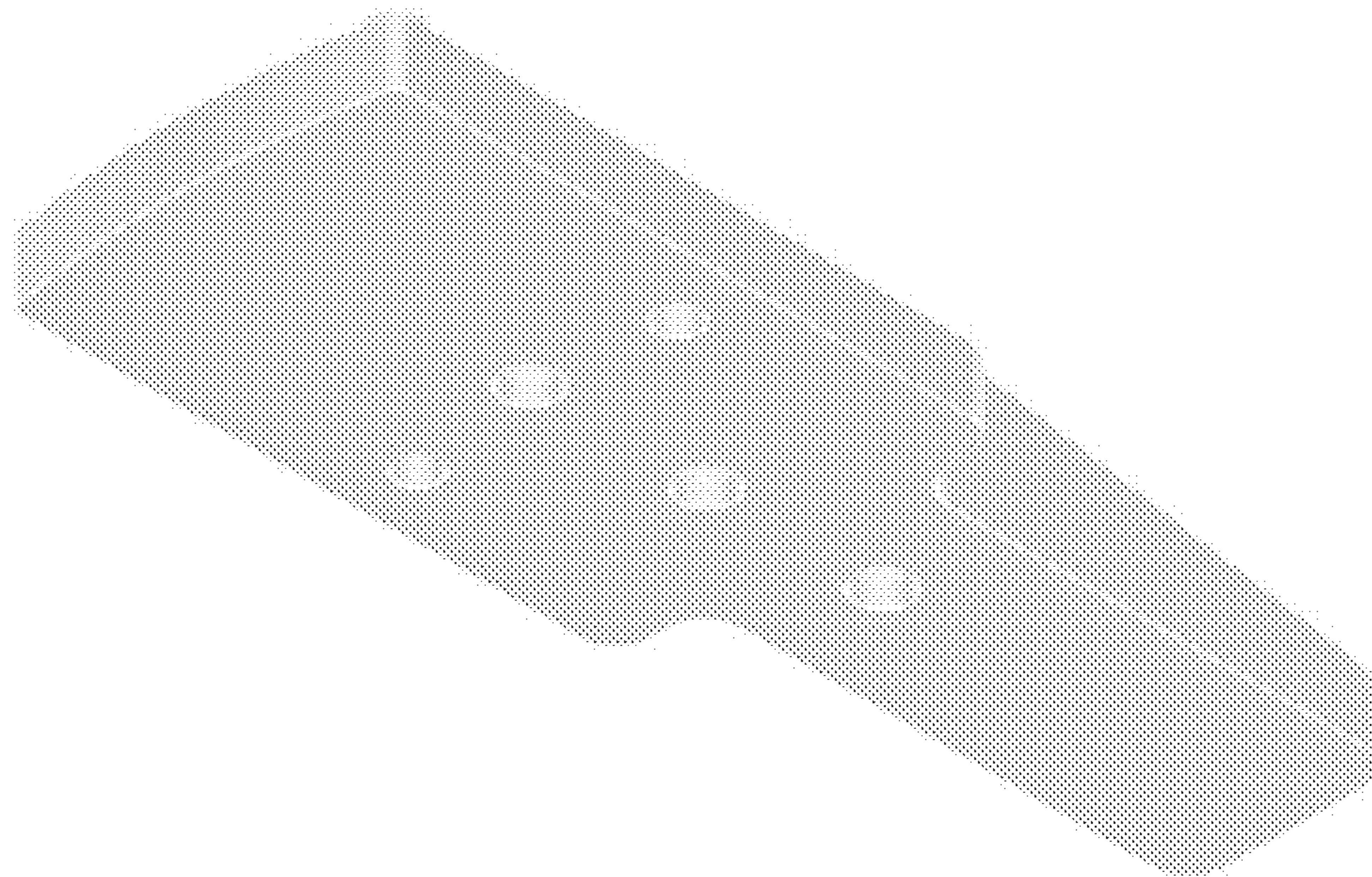


FIG. 8

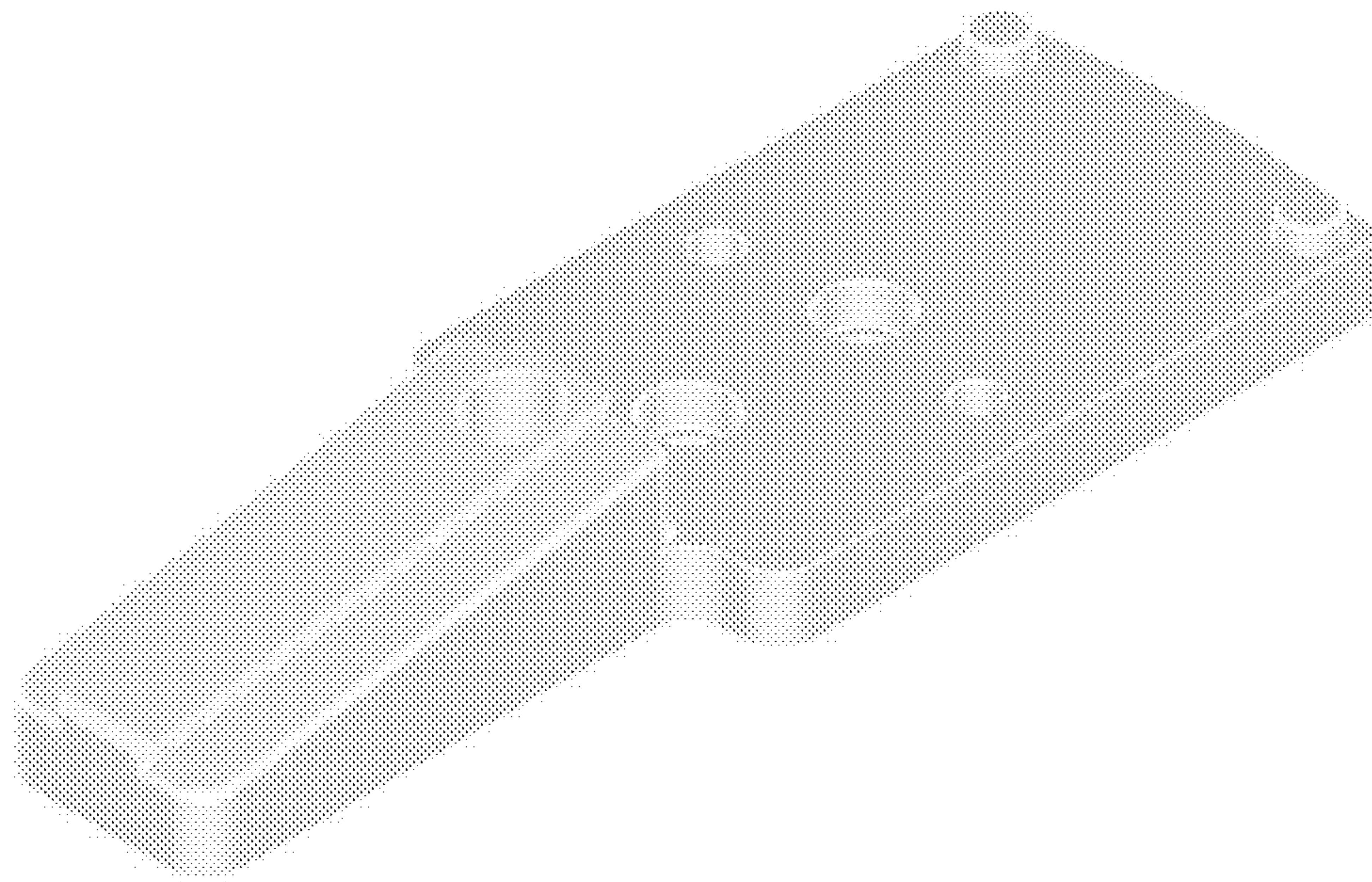


FIG. 9

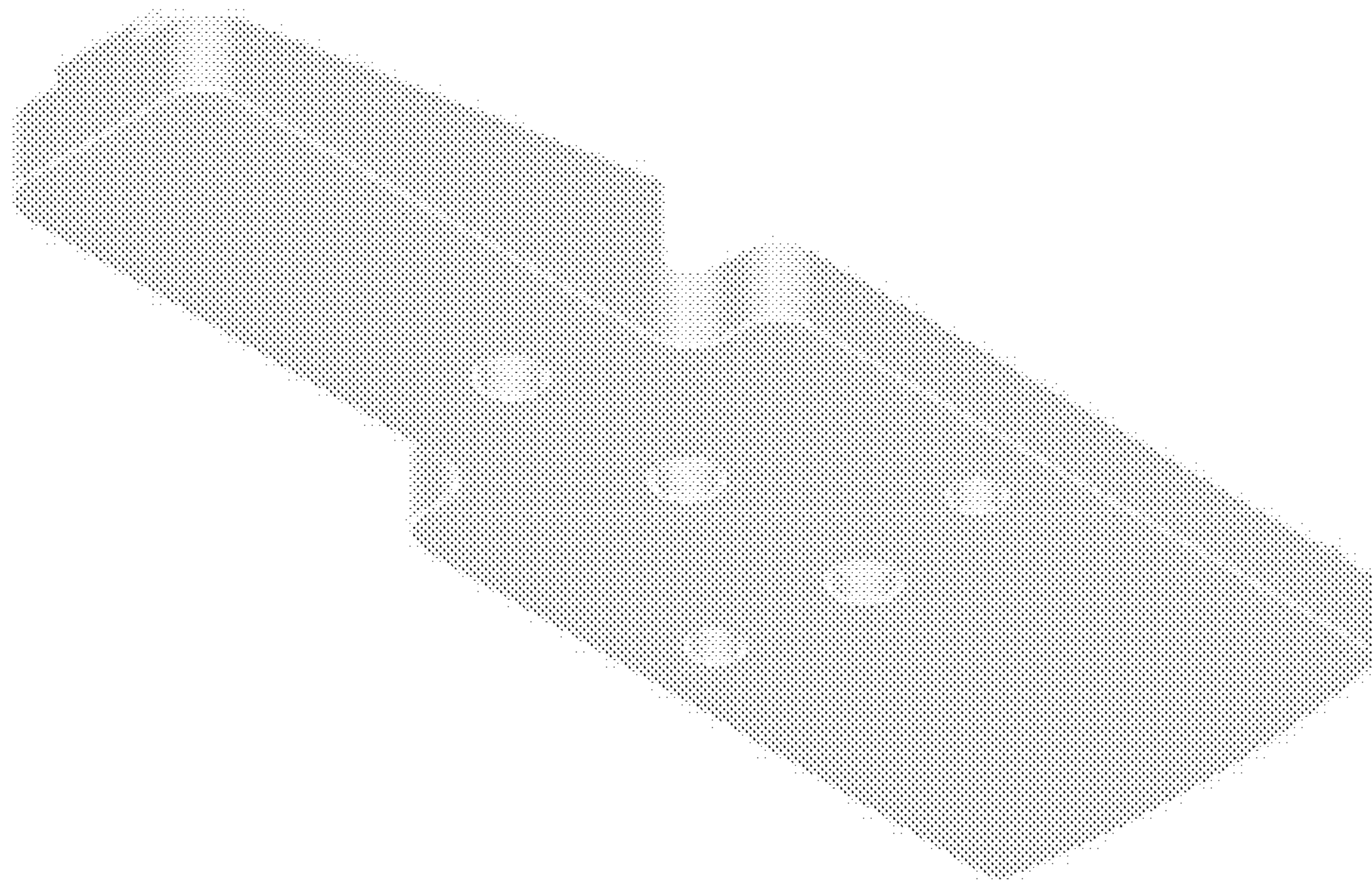


FIG. 10