



US00D888539S

(12) **United States Design Patent** (10) **Patent No.:** **US D888,539 S**
Griggs et al. (45) **Date of Patent:** **** Jun. 30, 2020**

(54) **SUPPORT FOR ACCESSORIES**

- (71) Applicant: **Aladdin Temp-Rite LLC**,
Hendersonville, TN (US)
- (72) Inventors: **Curt Griggs**, Hendersonville, TN (US);
Kim Sprout, Hendersonville, TN (US)
- (73) Assignee: **Aladdin Temp-Rite LLC**,
Hendersonville, TN (US)
- (**) Term: **15 Years**

- (21) Appl. No.: **29/659,038**
- (22) Filed: **Aug. 6, 2018**
- (51) **LOC (12) Cl.** **08-08**
- (52) **U.S. Cl.**
USPC **D8/349**
- (58) **Field of Classification Search**
USPC D8/349, 350–353, 354, 355, 363,
D8/373–377
CPC .. A47F 5/00; A47H 1/10; A47G 29/00; A47G
29/08; A47B 97/00; A47K 3/14
See application file for complete search history.

(56) **References Cited**

U.S. PATENT DOCUMENTS

D323,453 S *	1/1992	Walther	D8/349
D360,544 S *	7/1995	Gauthier	D6/672
D463,255 S *	9/2002	Snyder	D8/373
D480,555 S *	10/2003	Bledsoe	D3/215
D491,447 S *	6/2004	Diss	D8/371
D517,402 S *	3/2006	Cairns	D8/381
D531,488 S *	11/2006	Munson	D8/373
D542,631 S *	5/2007	Munson	D8/373
D550,541 S *	9/2007	Blanchard	D8/354
D551,542 S *	9/2007	Gallien	D8/373
D565,940 S *	4/2008	Holt	D8/377
D566,760 S *	4/2008	Cristofaro	D19/32
D740,103 S *	10/2015	Fu	D8/349
D817,730 S *	5/2018	Petersen	D8/14
D837,633 S *	1/2019	Allen	D8/354
D849,519 S *	5/2019	Dettmering	D8/373
D860,762 S *	9/2019	Gibson	D8/354

OTHER PUBLICATIONS

Akro-Mils Louvered Systems, <https://akro-mils.com/Products/Types/Cabinets-Racks-Shelving-Panels/Louvered-Systems>, known at least as early as Jul. 30, 2018, 3 pgs.
(Continued)

Primary Examiner — Mark A Goodwin
Assistant Examiner — Benjamin M Weeks
(74) *Attorney, Agent, or Firm* — Womble Bond Dickinson (US) LLP

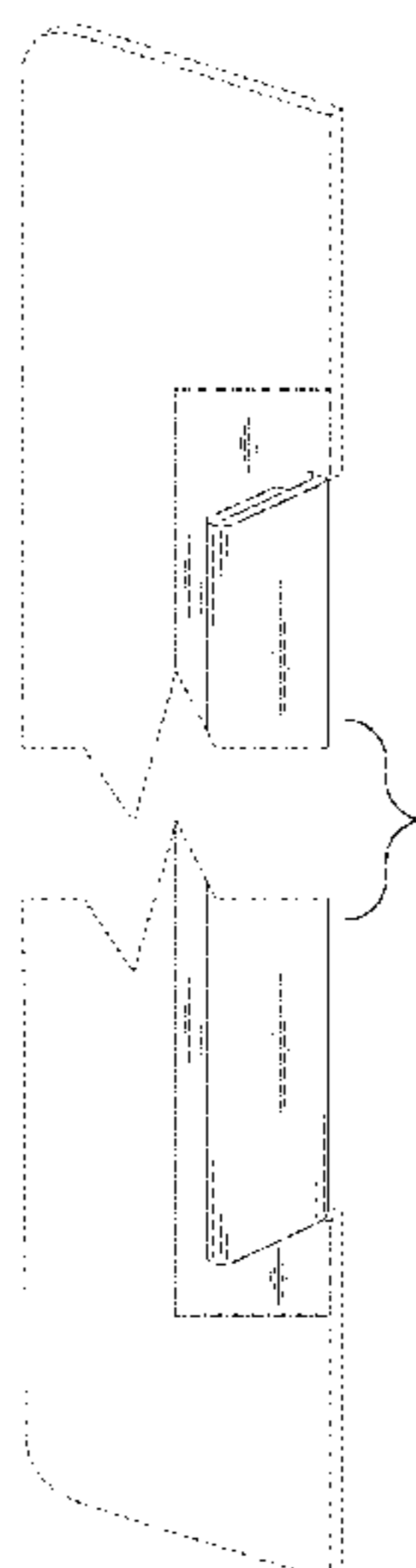
(57) **CLAIM**

The ornamental design for a support for accessories, as shown and described.

DESCRIPTION

FIG. 1 is a front top right perspective view of our new design;
FIG. 2 is a rear view thereof;
FIG. 3 is a top view thereof;
FIG. 4 is a front view thereof;
FIG. 5 is a bottom view thereof;
FIG. 6 is a left side view thereof, the right side view being a mirror image thereof;
FIG. 7 is a top rear perspective view of our new design incorporated into a beverage caddy;
FIG. 8 is a front top left perspective view of our new design incorporated into a first bracket; and,
FIG. 9 is a front top right perspective view of our new design incorporated into a second bracket.
The jagged dash-dash lines bridged by a bracket in each figure represents a symbolic break in length of the support. The appearance of any portion of the article between the break lines forms no part of the claimed design such that the precise length of the support forms no part of the claim. The dash-dash lines elsewhere in the figures represent optional environmental features that form no part of the claim. The dash-dot lines in the figures illustrate unclaimed boundaries of the design along claimed surfaces.

1 Claim, 6 Drawing Sheets



(56)

References Cited

OTHER PUBLICATIONS

Akro-Mils Louvered Panel 30632, <https://akro-mils.com/Product/Types/Cabinets-Racks-Shelving-Panels/Louvered-Systems/30632>, known at least as early as Jul. 30, 2018, 2 pgs.

Akro-Mils Louvered Bench Rack—Small 98600, <https://akro-mils.com/Products/Types/Cabinets-Racks-Shelving-Panels/Louvered-Systems/98600>, known at least as early as Jul. 30, 2018, 2 pgs.

Akro-Mils Rail Kits, <https://akr02.wiredcdn.com/Products/Types/Accessories/Rail-Kits>, known at least as early as Jul. 30, 2018, 3 pgs.

* cited by examiner

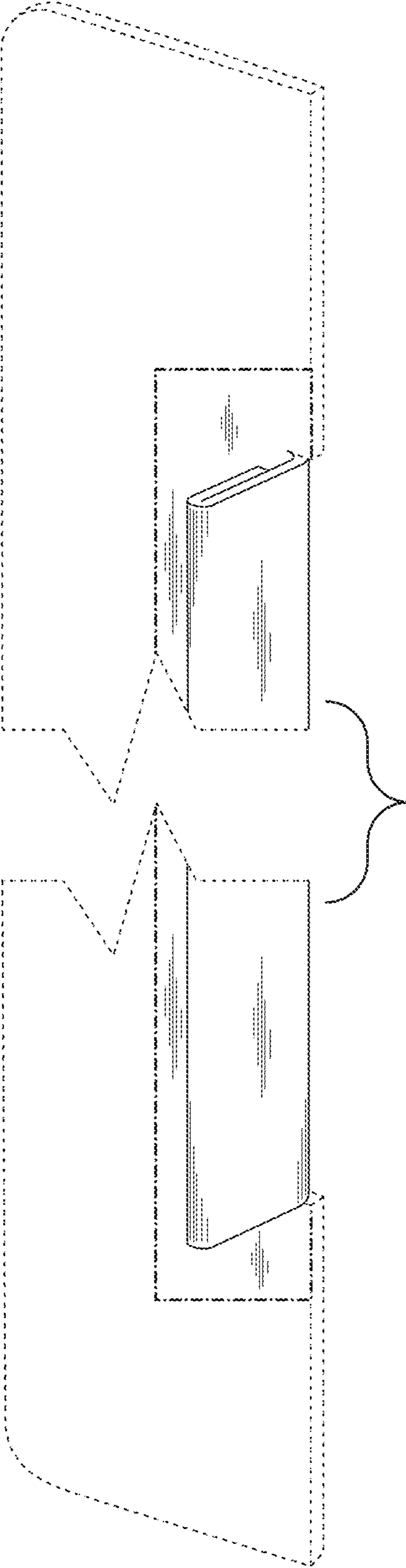


FIG. 1

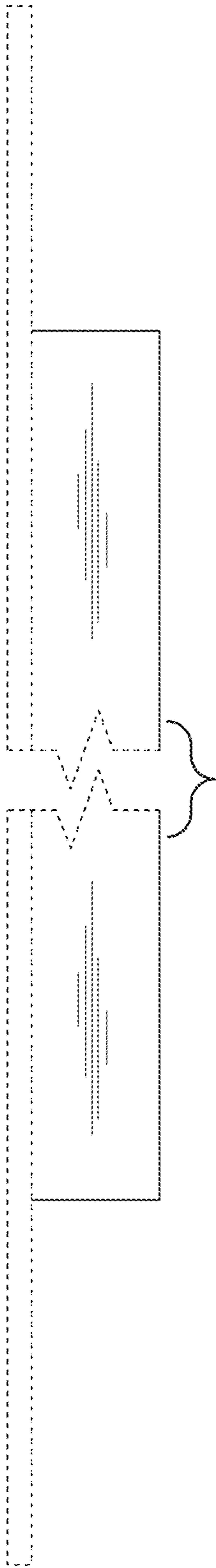


FIG. 2

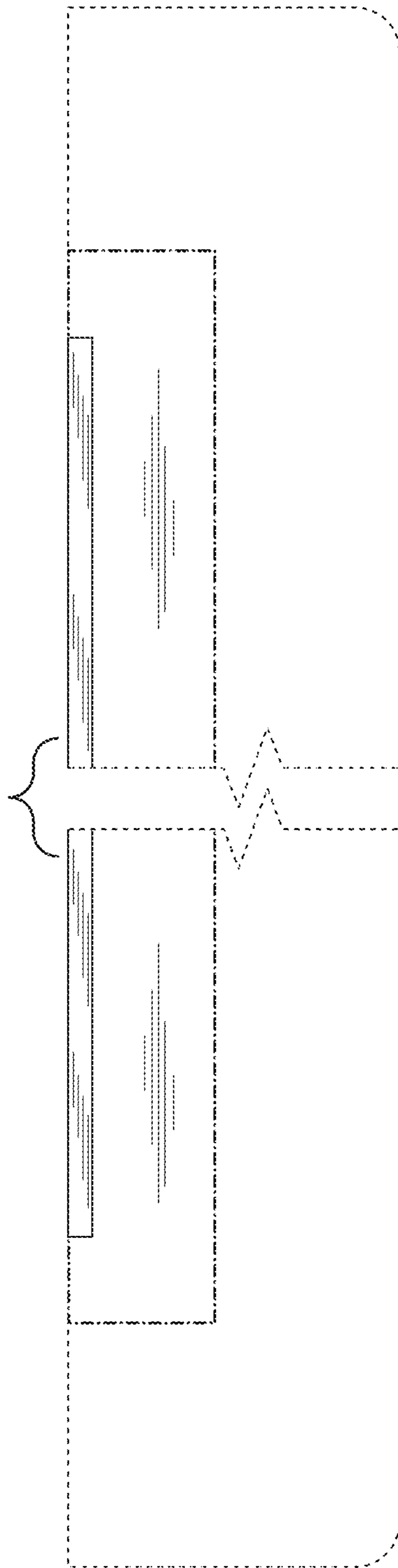


FIG. 3

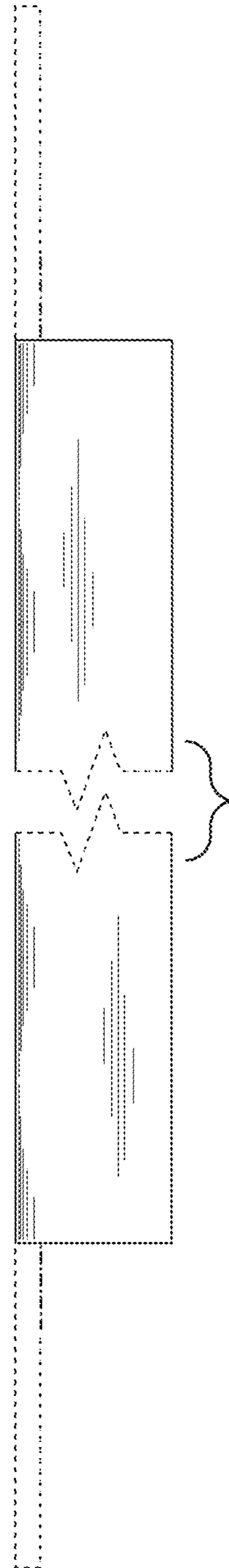


FIG. 4

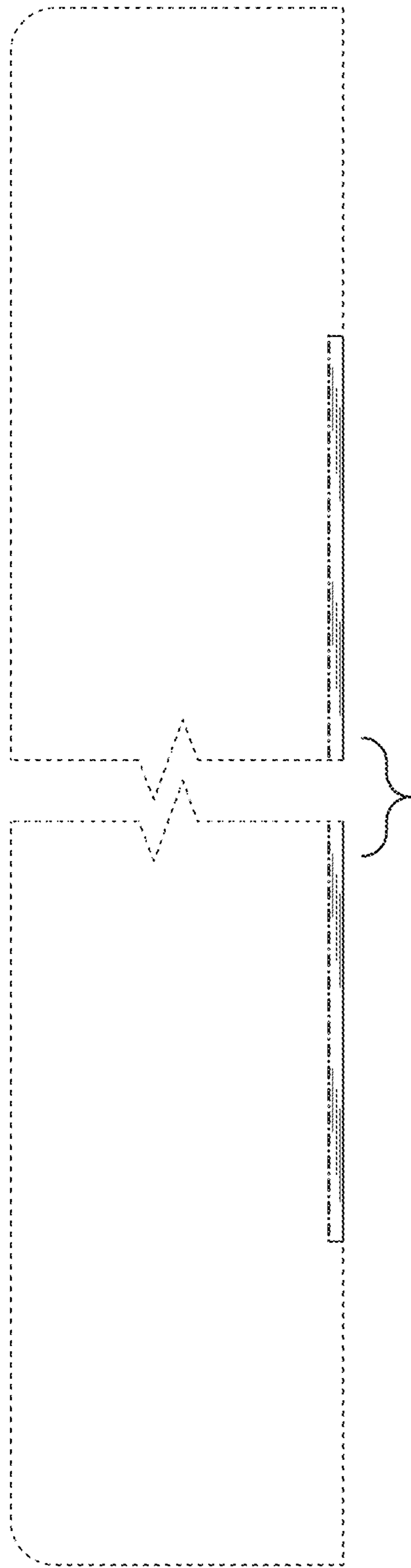


FIG. 5

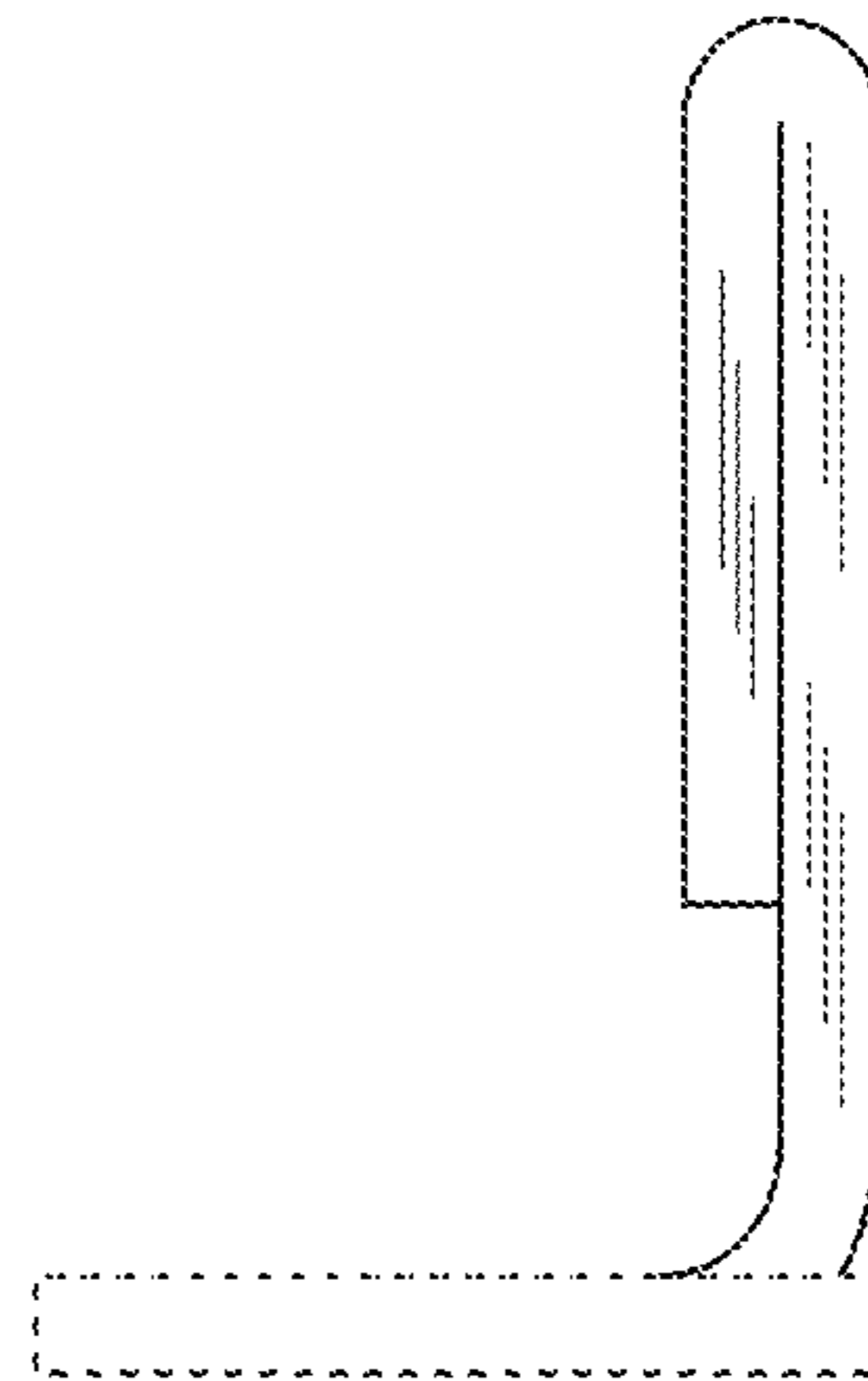


FIG. 6

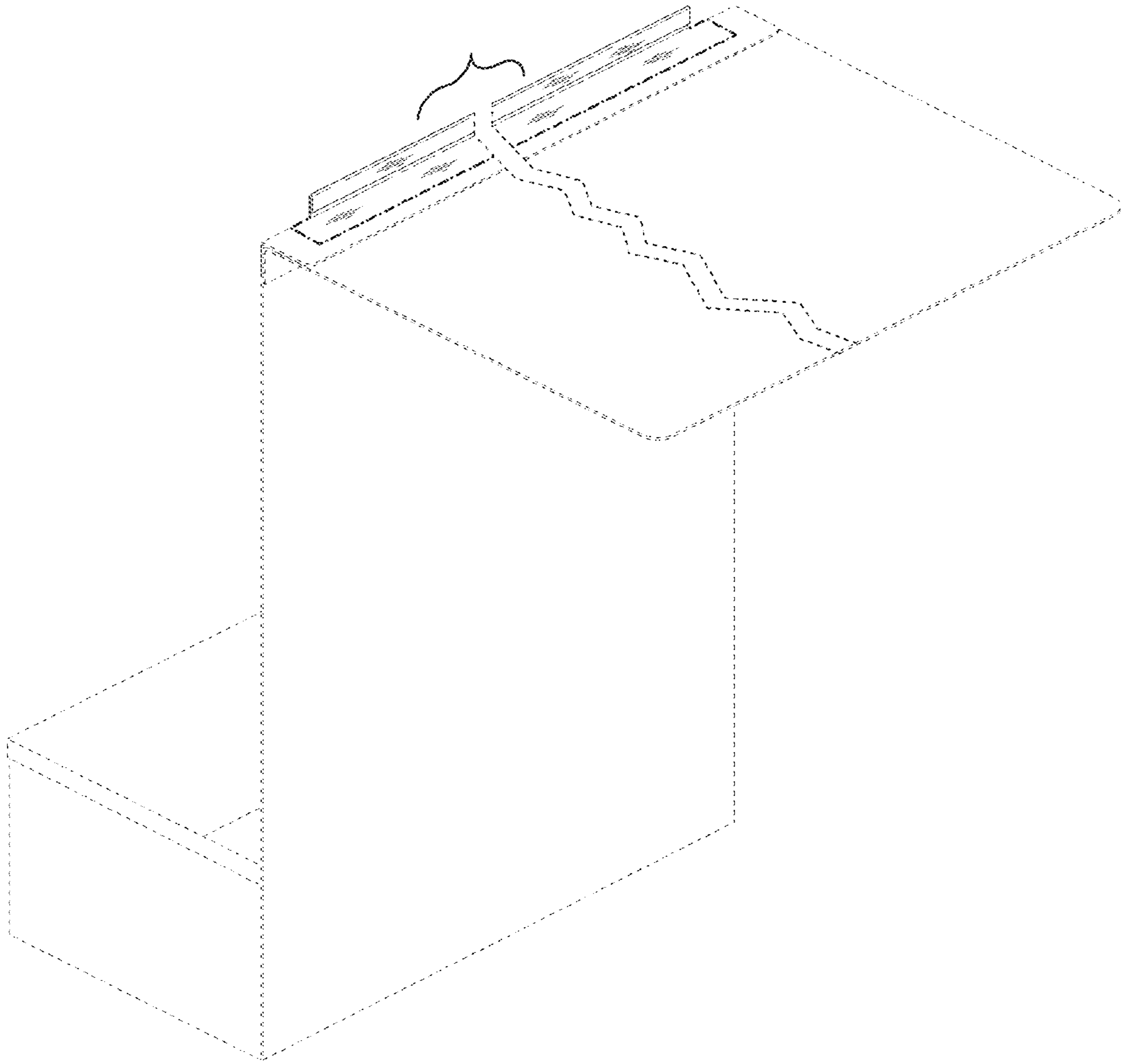


FIG. 7

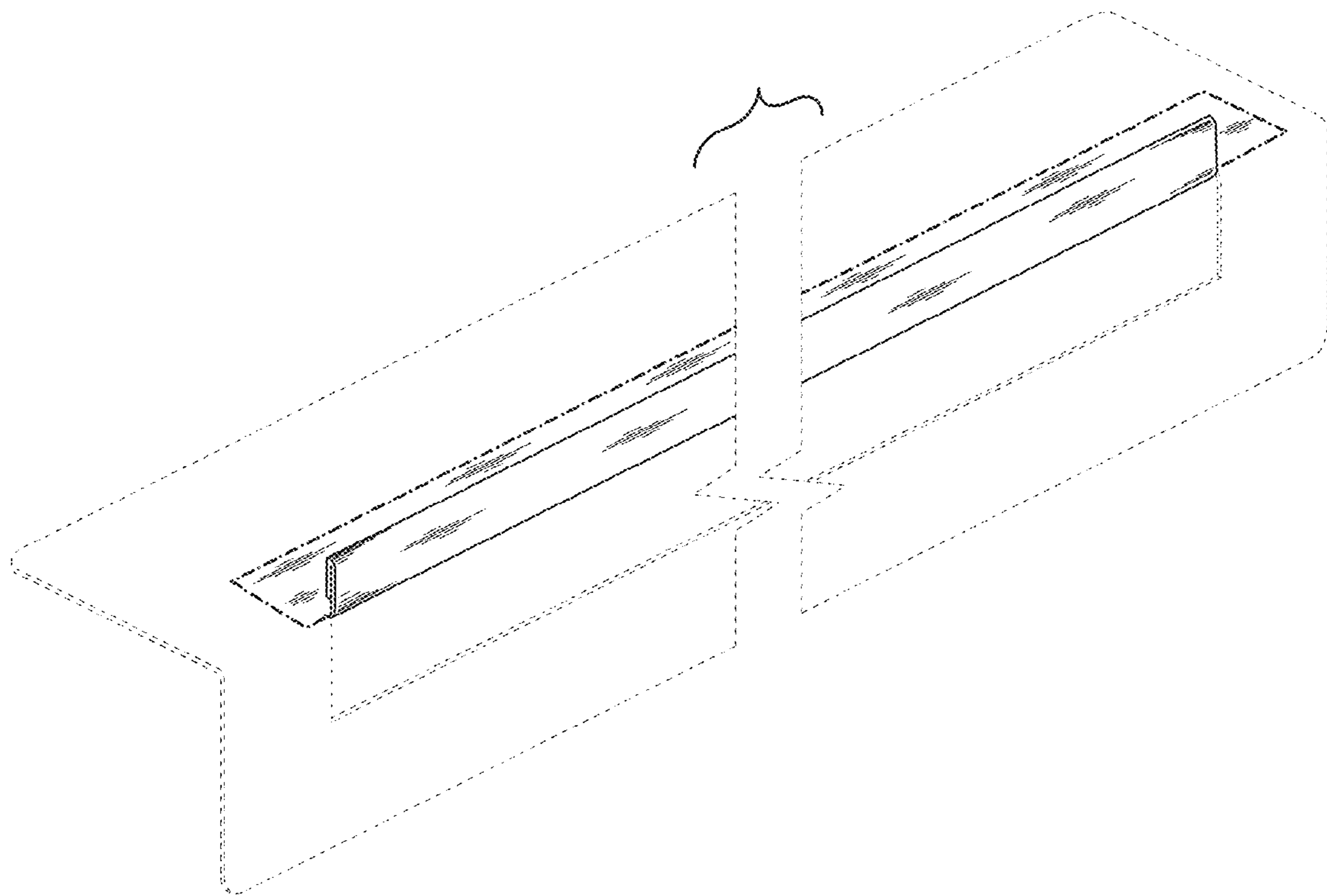


FIG. 8

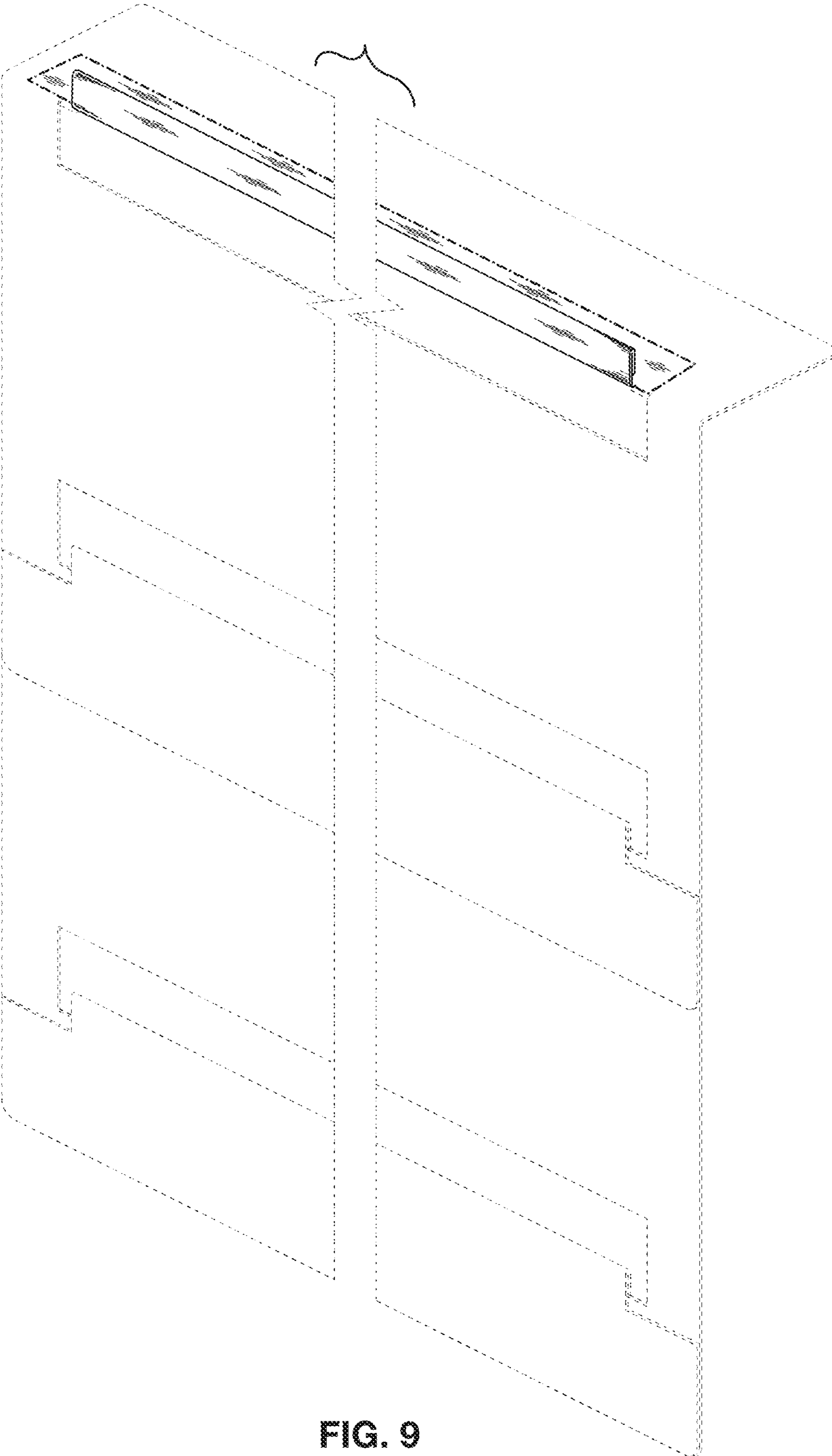


FIG. 9