

US00D888534S

(12) **United States Design Patent**
Kim

(10) **Patent No.:** **US D888,534 S**

(45) **Date of Patent:** **** Jun. 30, 2020**

- (54) **DIGITAL DOOR LOCK**
- (71) Applicant: **Keywesmartlock CO., LTD.**, Seoul (KR)
- (72) Inventor: **Dohyun Kim**, Seoul (KR)
- (73) Assignee: **Keywesmartlock CO., LTD.**, Seoul (KR)
- (**) Term: **15 Years**
- (21) Appl. No.: **29/654,546**
- (22) Filed: **Jun. 26, 2018**
- (30) **Foreign Application Priority Data**
Dec. 29, 2017 (KR) 30-2017-0062505
- (51) **LOC (12) Cl.** **08-07**
- (52) **U.S. Cl.**
USPC **D8/331**
- (58) **Field of Classification Search**
USPC D8/330, 331, 336, 337, 338, 339, 341, D8/342, 343, 350, 352, 353
CPC ... E05B 9/00; E05B 9/08; E05B 9/002; E05B 47/00; E05B 63/00; E05B 63/0004; E05B 63/06; E05B 51/00; E05B 55/00; E05B 1/0007; E05B 47/068; E05B 2047/0017; E05B 2047/002; E05B 49/00; E05B 47/0657; E05B 45/06; E05B 2047/0068; E05B 47/02; E05B 47/06; E05B 63/04; E05B 55/005; E05B 47/0043; E05B 3/00; E05B 47/0012; E05B 47/0603
See application file for complete search history.

- (56) **References Cited**
U.S. PATENT DOCUMENTS
D305,861 S * 2/1990 Kautt D8/330
D452,807 S * 1/2002 Gartner D8/330

- 6,471,257 B1 * 10/2002 Lu E05B 47/0012 292/144
- 6,517,127 B1 * 2/2003 Lu E05B 47/0012 292/142
- D502,859 S * 3/2005 Peng D8/331
- 6,935,149 B1 * 8/2005 Peng E05B 13/101 70/149
- 7,516,633 B1 * 4/2009 Chang E05B 13/101 292/251.5
- D597,821 S * 8/2009 Nunez D8/330
- D634,181 S * 3/2011 Kang D8/330
- 8,291,733 B2 * 10/2012 Chiou E05B 47/0661 292/279
- D673,838 S * 1/2013 Clark D8/353
- 8,356,499 B2 * 1/2013 Peng E05B 47/068 70/224
- 8,365,561 B2 * 2/2013 Chang E05B 47/02 292/142
- D682,656 S * 5/2013 Cramer D8/331
- D683,205 S * 5/2013 Cramer D8/331

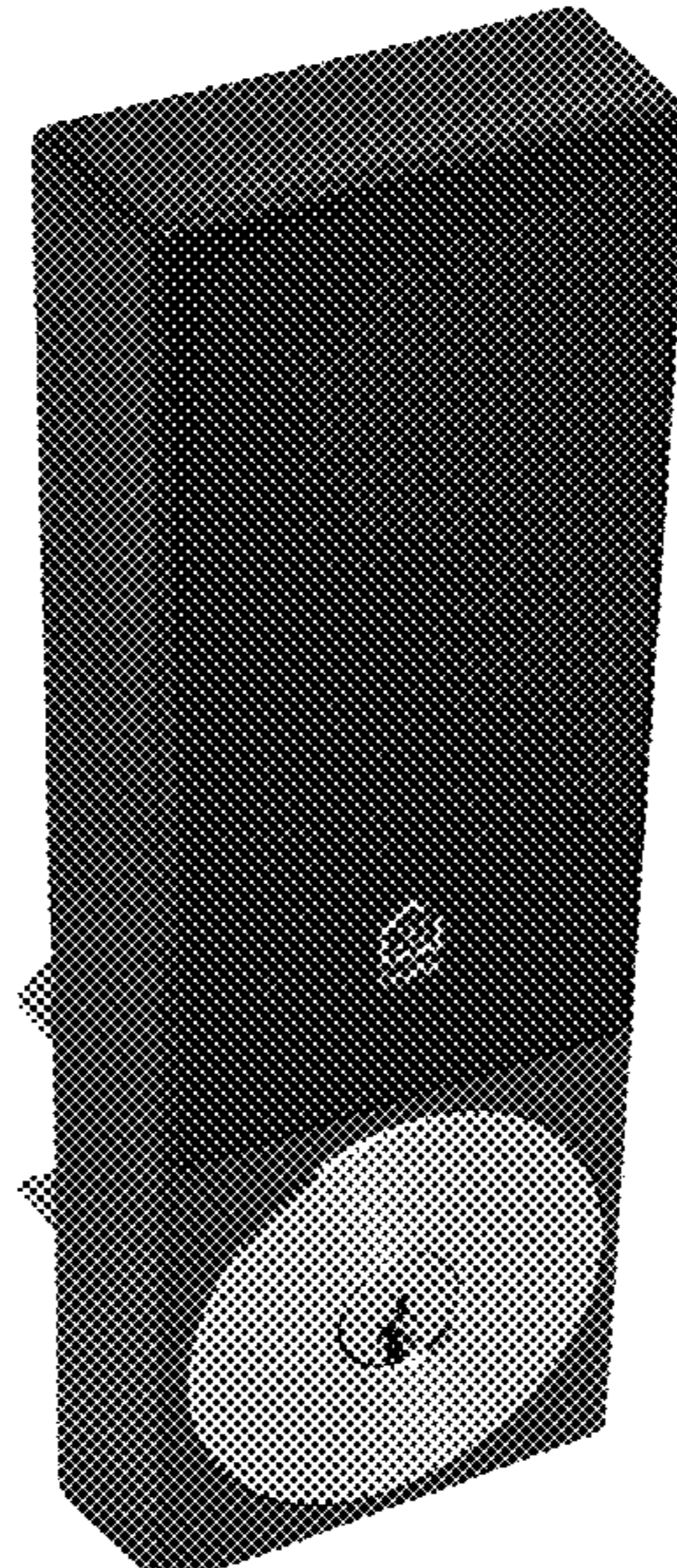
(Continued)

Primary Examiner — Steven J Czyz
(74) *Attorney, Agent, or Firm* — Revolution IP, PLLC

(57) **CLAIM**
The ornamental design for a digital door lock, as shown and described.

DESCRIPTION
FIG. 1 is a perspective view of a digital door lock showing my new design;
FIG. 2 is a front view thereof;
FIG. 3 is a rear view thereof;
FIG. 4 is a left side view thereof;
FIG. 5 is a right side view thereof;
FIG. 6 is a top view thereof; and,
FIG. 7 is a bottom view thereof.
The letters “keyWe” shown in FIGS. 1-2 are for illustrative purposes only and form no part of the claimed design.

1 Claim, 7 Drawing Sheets



(56)

References Cited

U.S. PATENT DOCUMENTS

8,490,445 B2 * 7/2013 Chiou E05B 47/0012
70/224
8,621,900 B2 * 1/2014 Wu E05B 47/026
292/142
D733,522 S * 7/2015 Kim D8/331
D735,016 S * 7/2015 Kim D8/331
D752,946 S * 4/2016 Shen D8/330
D766,070 S * 9/2016 Ruoff D8/343
D779,919 S * 2/2017 Shargh D8/330
D781,130 S * 3/2017 Shargh D8/330
D783,384 S * 4/2017 Shargh D8/330
9,631,399 B1 * 4/2017 Zhang E05B 47/00
D789,769 S * 6/2017 Hsu D8/330
D791,569 S * 7/2017 Chen D8/331
D794,414 S * 8/2017 Chou D8/330
D798,688 S * 10/2017 Yong D8/331
D802,396 S * 11/2017 Hsu D8/330
D811,852 S * 3/2018 Xin D8/331
D817,148 S * 5/2018 Carpintero D8/331
9,982,462 B2 * 5/2018 Lin E05B 47/0012
D832,076 S * 10/2018 Gokcebay D8/331
D832,077 S * 10/2018 Gokcebay D8/331
D832,078 S * 10/2018 Gokcebay D8/331
D832,079 S * 10/2018 Gokcebay D8/331
D832,080 S * 10/2018 Gokcebay D8/331
D832,081 S * 10/2018 Gokcebay D8/331
10,115,250 B2 * 10/2018 Biehl G07C 9/00174
D832,676 S * 11/2018 Gokcebay D8/331
D832,677 S * 11/2018 Gokcebay D8/331
D835,968 S * 12/2018 Gokcebay D8/331
10,240,365 B2 * 3/2019 Almomani G07C 9/00309
10,344,501 B2 * 7/2019 Chang E05B 47/0603
D863,024 S * 10/2019 Gokcebay D8/330
D863,031 S * 10/2019 Gokcebay D8/330
10,443,264 B1 * 10/2019 Son E05B 63/0004

* cited by examiner

FIG. 1



FIG. 2

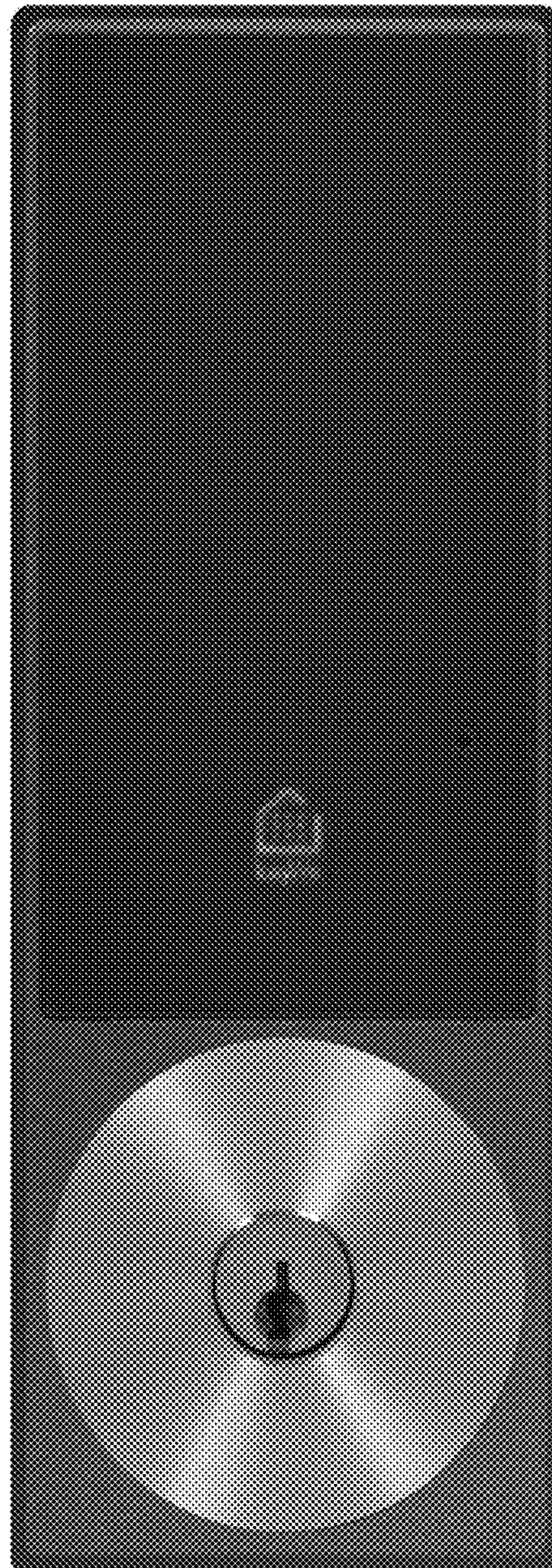


FIG. 3

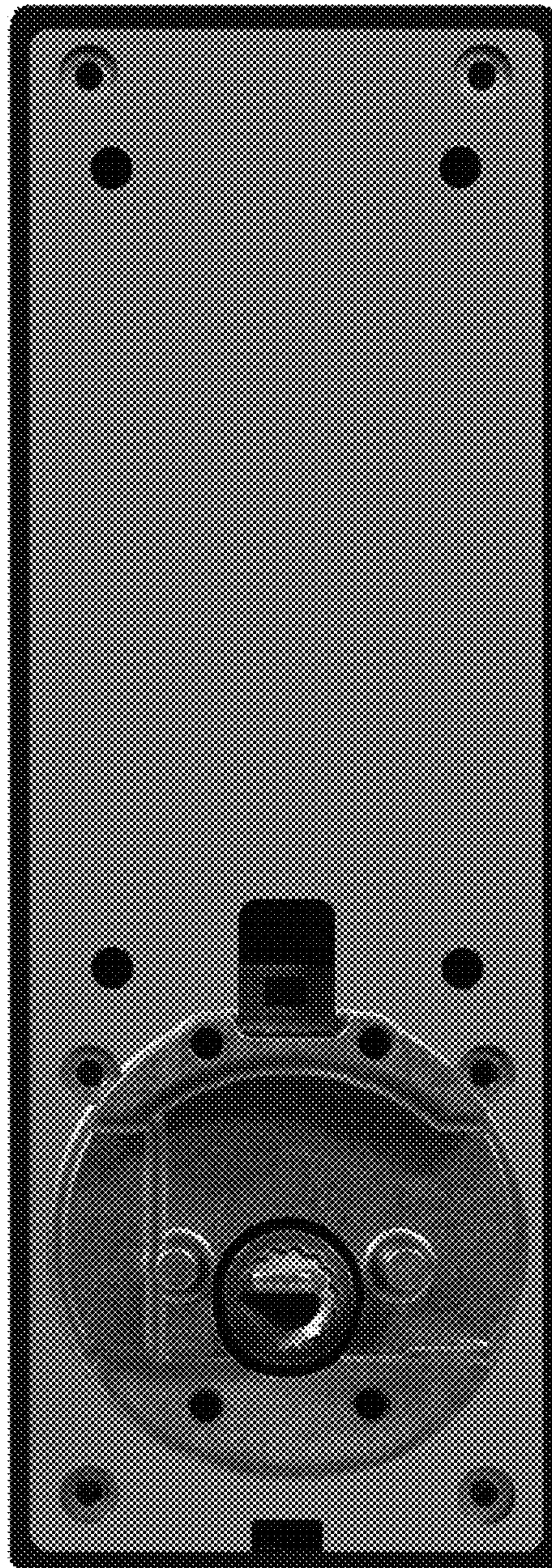


FIG. 4

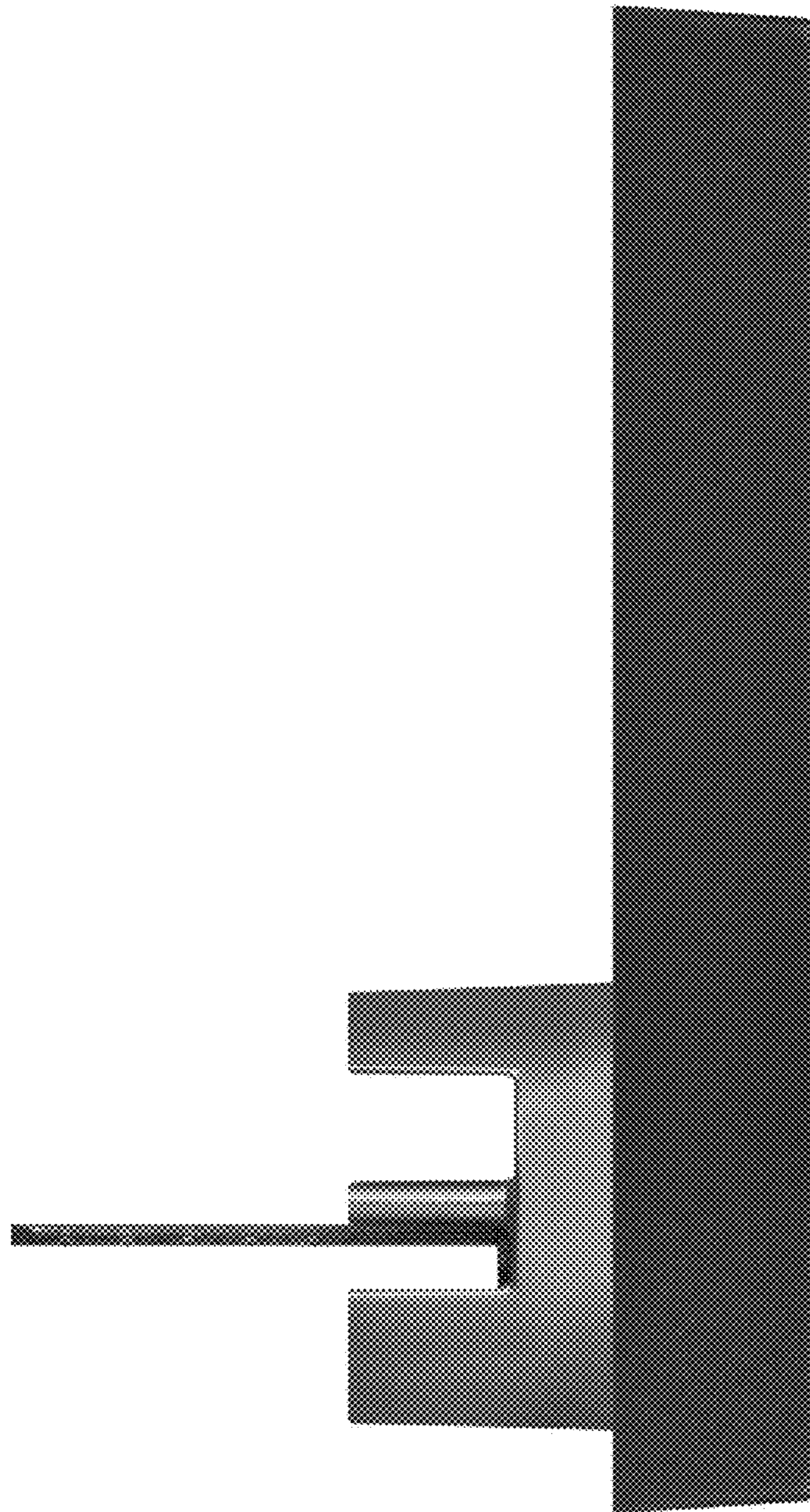


FIG. 5

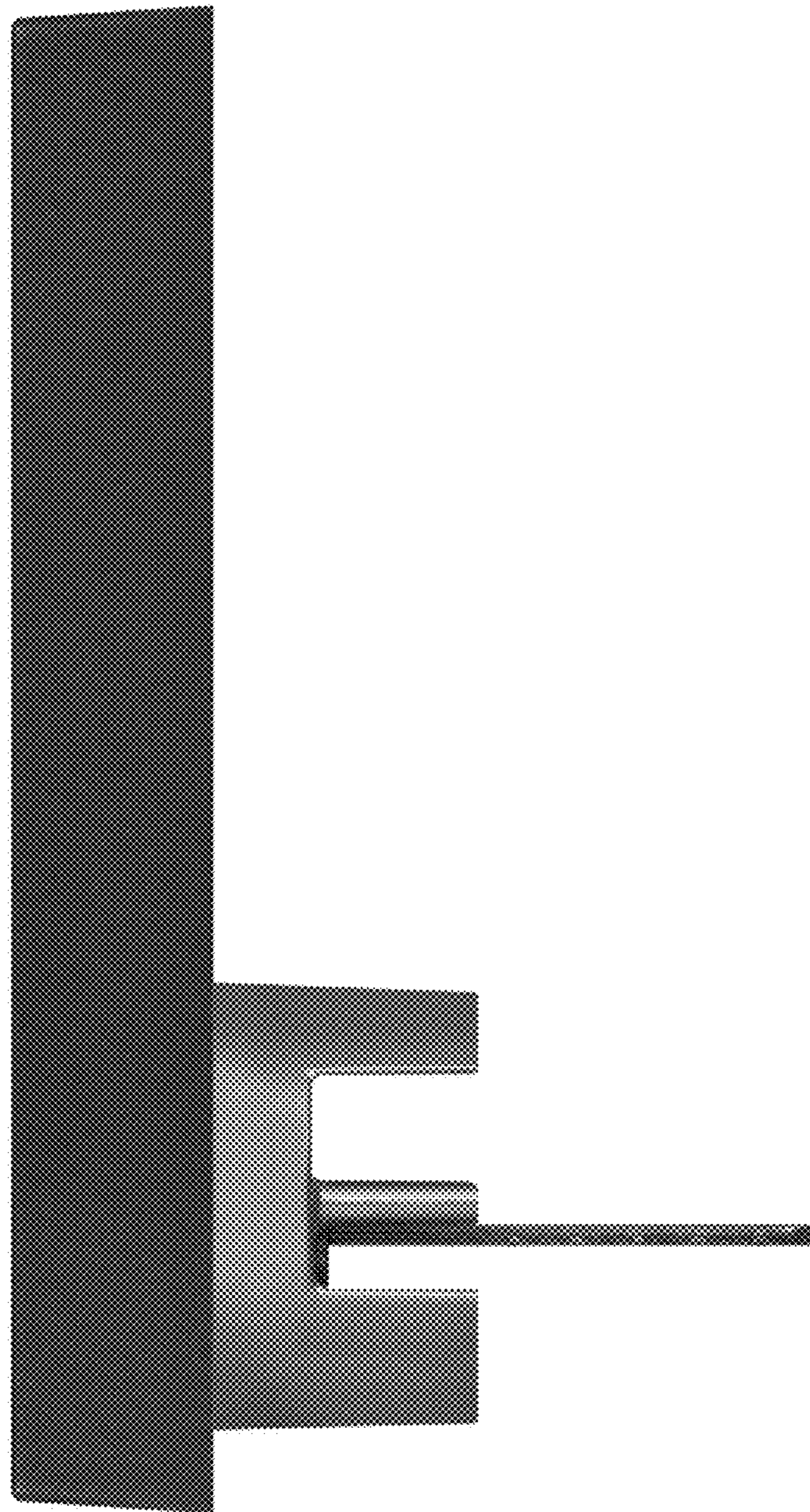


FIG. 6

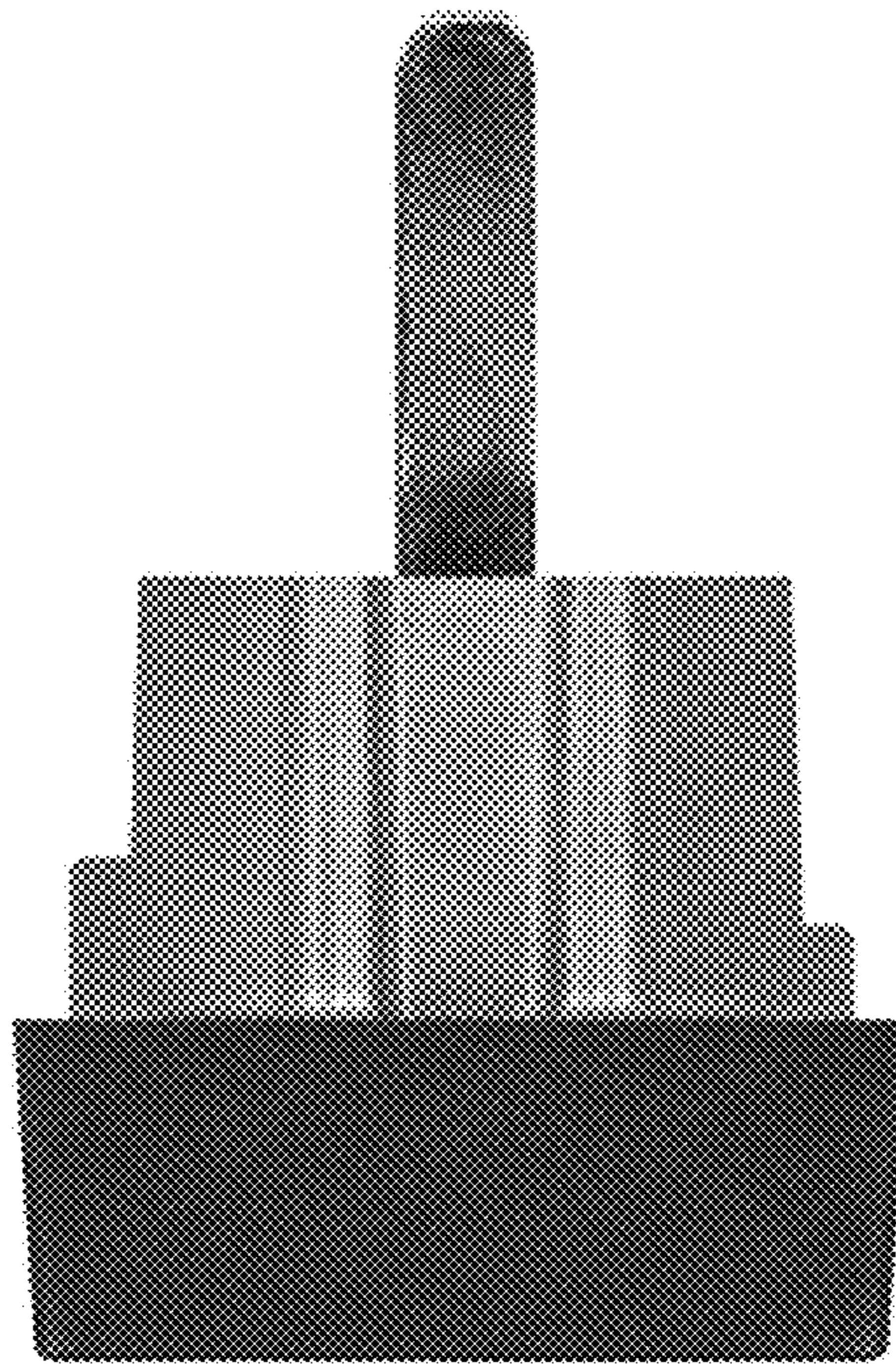


FIG. 7

