



US00D888528S

(12) **United States Design Patent**  
**Hepler**

(10) **Patent No.:** **US D888,528 S**

(45) **Date of Patent:** **\*\* Jun. 30, 2020**

(54) **HAND TOOL**

(71) Applicant: **Rare Breed Firearms LLC**, Austin, TX (US)

(72) Inventor: **Abraham Hepler**, Warsaw, IN (US)

(73) Assignee: **Rare Breed Firearms LLC**, Austin, TX (US)

(\*\*) Term: **15 Years**

(21) Appl. No.: **29/689,940**

(22) Filed: **May 3, 2019**

(51) **LOC (12) Cl.** ..... **08-05**

(52) **U.S. Cl.**  
USPC ..... **D8/105; D8/19; D22/108**

(58) **Field of Classification Search**  
USPC ..... **D8/105, 55, 107, 99, 4, 16, 19, 14; D12/127; D22/108**

CPC .. **B25B 7/22; B25B 7/06; B25B 23/00; B25B 33/00**

See application file for complete search history.

(56) **References Cited**

**U.S. PATENT DOCUMENTS**

D528,880 S \* 9/2006 Belflower ..... D8/16  
D548,552 S \* 8/2007 Elkaim ..... F41A 35/00  
D22/199

D666,883 S \* 9/2012 Howard ..... F41A 35/00  
D8/19  
D689,351 S \* 9/2013 Webb, Jr. .... D8/17  
D692,288 S \* 10/2013 Locklear ..... D8/105  
D724,398 S \* 3/2015 Streets ..... D8/17  
D726,517 S \* 4/2015 Fischer ..... D8/17  
D772,028 S \* 11/2016 Tangreen ..... D8/17  
D773,908 S \* 12/2016 Arakelian ..... D8/16  
D780,550 S \* 3/2017 Manor ..... D8/105  
D801,139 S \* 10/2017 Cheng ..... D8/19  
D879,581 S \* 3/2020 Arakelian ..... D8/105

\* cited by examiner

*Primary Examiner* — Janice Hallmark

(74) *Attorney, Agent, or Firm* — Wood Herron & Evans LLP

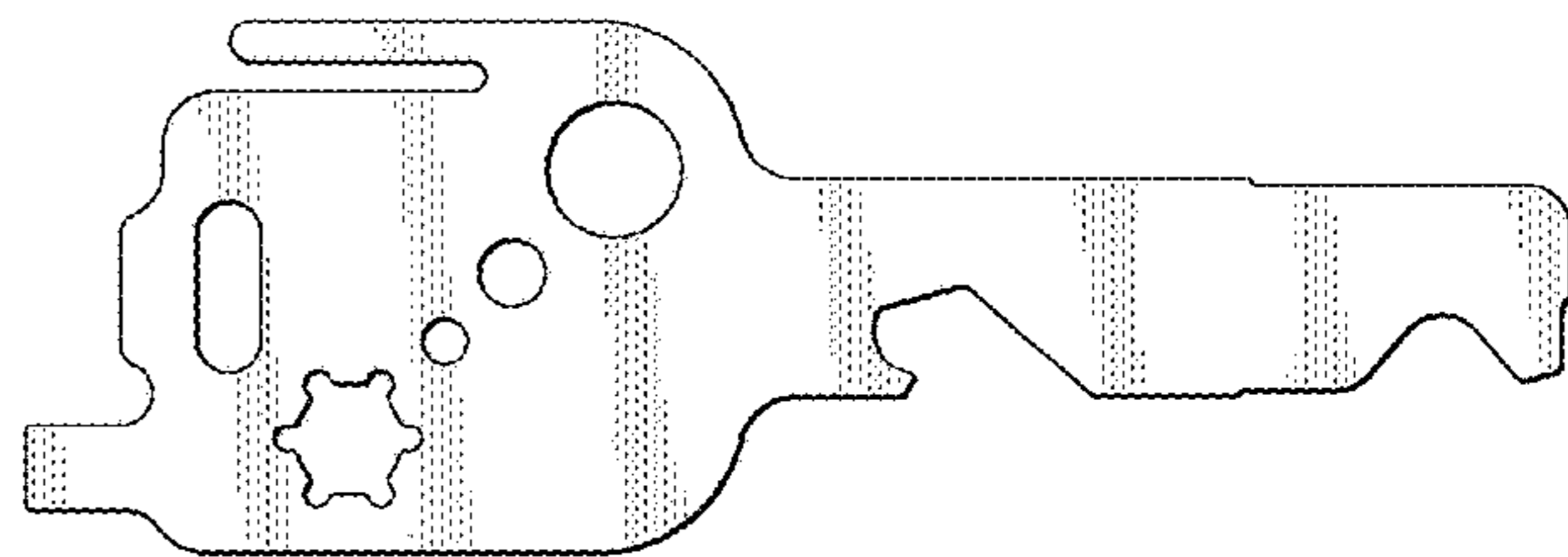
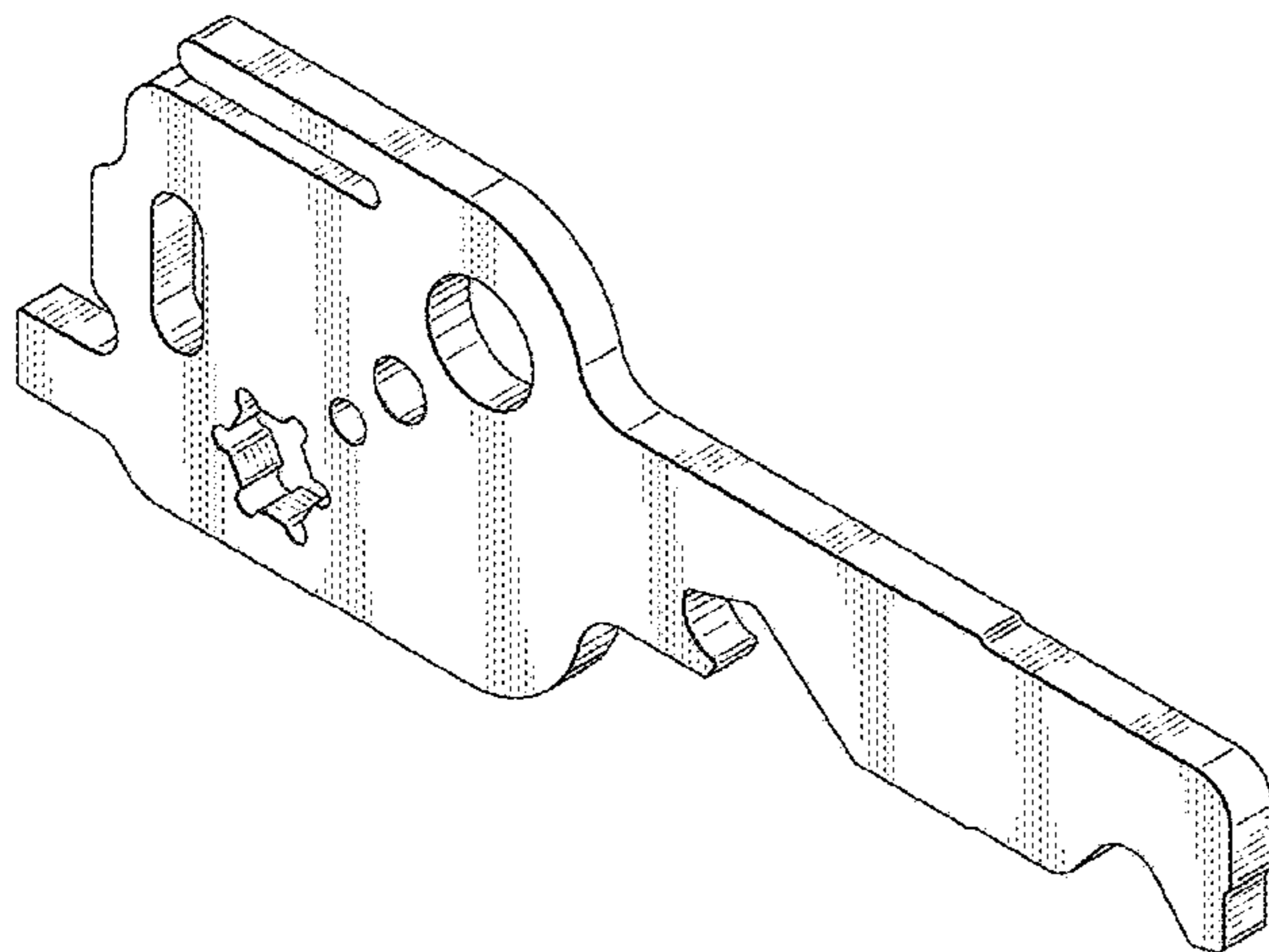
(57) **CLAIM**

The ornamental design for a hand tool, as shown and described.

**DESCRIPTION**

FIG. 1 is an isometric view of a hand tool according to the present invention;  
FIG. 2 is a front elevation plan view thereof, the rear elevation view being a mirror image;  
FIG. 3 is a top plan view thereof;  
FIG. 4 is a bottom plan view thereof;  
FIG. 5 is a right-side elevation view thereof; and,  
FIG. 6 is a left-side elevation view thereof.

**1 Claim, 2 Drawing Sheets**



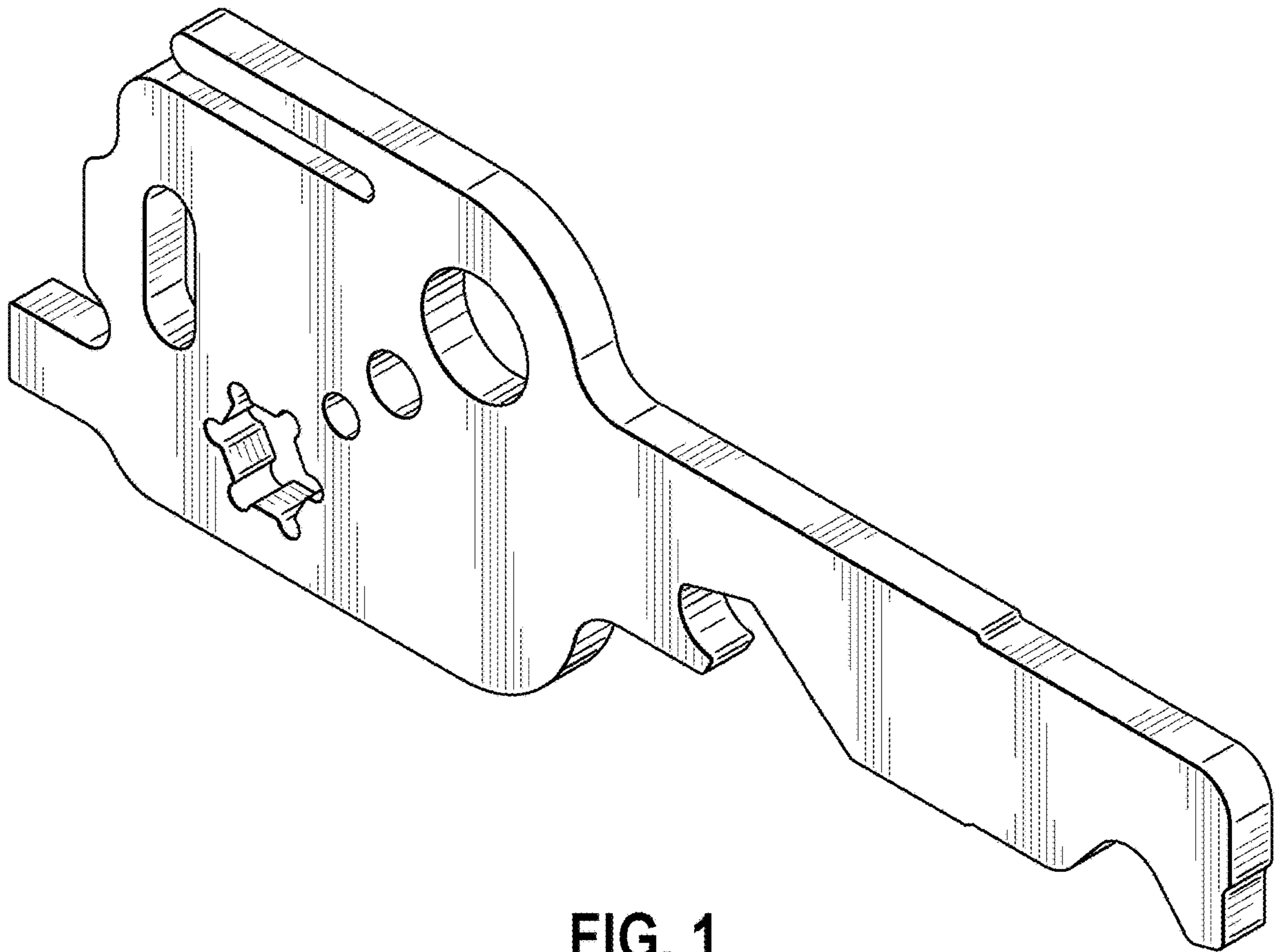


FIG. 1

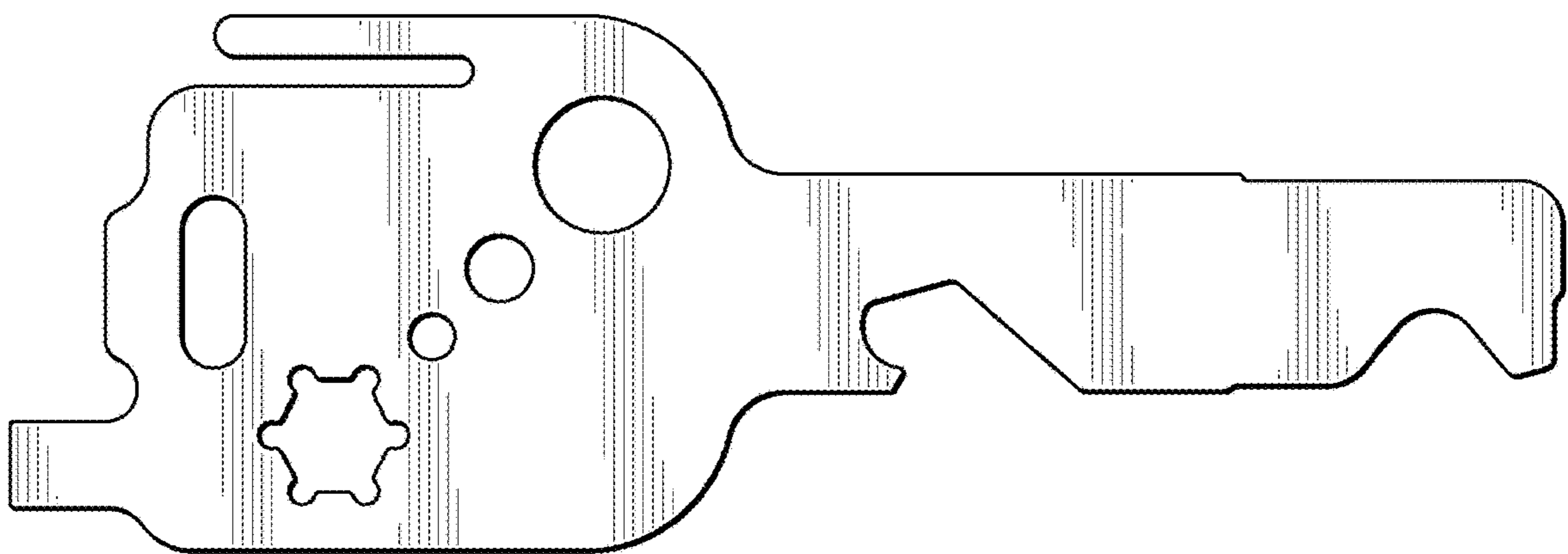


FIG. 2



FIG. 3



FIG. 4



FIG. 5



FIG. 6