



US00D888525S

(12) **United States Design Patent**
Montoli

(10) **Patent No.:** **US D888,525 S**
(45) **Date of Patent:** **** Jun. 30, 2020**

- (54) **HAMMER**
- (71) Applicant: **BREVETTI MONTOLIT S.p.A.**, Cantello (IT)
- (72) Inventor: **Vincenzo Montoli**, Cantello (IT)
- (**) Term: **15 Years**
- (21) Appl. No.: **35/506,787**
- (22) Filed: **Jan. 18, 2019**
- (80) **Hague Agreement Data**
 Int. Filing Date: **Jan. 18, 2019**
 Int. Reg. No.: **DM/201051**
 Int. Reg. Date: **Jan. 18, 2019**
 Int. Reg. Pub. Date: **May 24, 2019**
- (51) **LOC (12) Cl.** **08-02**
- (52) **U.S. Cl.**
USPC **D8/77**
- (58) **Field of Classification Search**
USPC D8/77, 80; 81/26, 22, 25, 489
CPC B25F 1/006; B25D 1/00; B25D 2222/42;
B25D 2222/54; B25D 2222/57
See application file for complete search history.

- (56) **References Cited**
 U.S. PATENT DOCUMENTS
 D285,284 S * 8/1986 Blomqvist D8/77
 D326,888 S * 6/1992 Van Reuth D21/738

D350,269 S *	9/1994	Majors	D8/77
D350,470 S *	9/1994	Majors	D8/77
5,526,719 A *	6/1996	Chen	B25D 1/02 30/308.3
5,537,896 A *	7/1996	Halder	B25D 1/00 81/22
D463,725 S *	10/2002	Wroblewski	D8/77
D653,095 S *	1/2012	Onello	D8/77
D778,136 S *	2/2017	Chen	D8/77
D808,761 S *	1/2018	Nelson	D8/77
D826,678 S *	8/2018	Nelson	D8/77
D837,018 S *	1/2019	Goldiner	D8/77
2012/0180608 A1 *	7/2012	Gibson	B29C 45/14549 81/489

* cited by examiner

Primary Examiner — Nathaniel D. Buckner

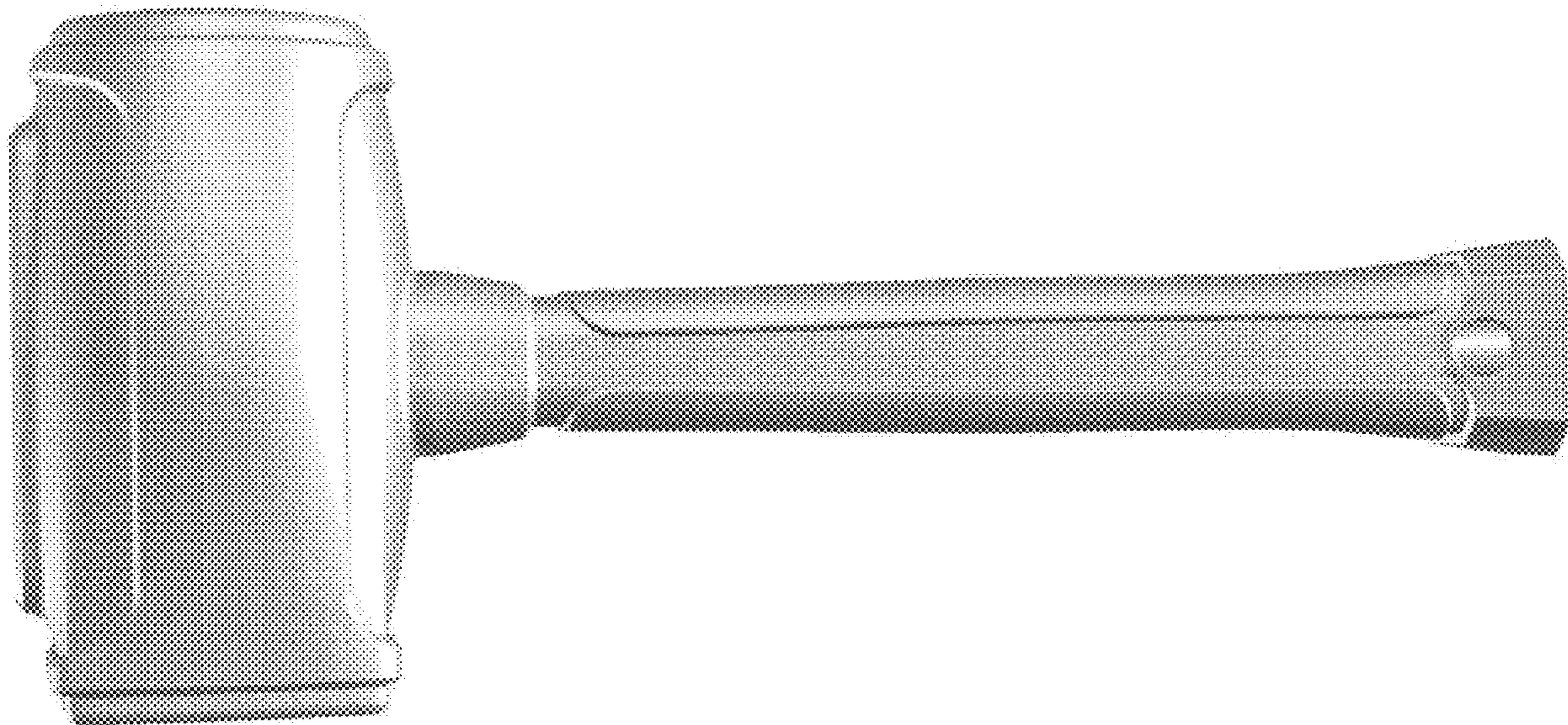
(57) **CLAIM**

The ornamental design for a hammer, as shown and described.

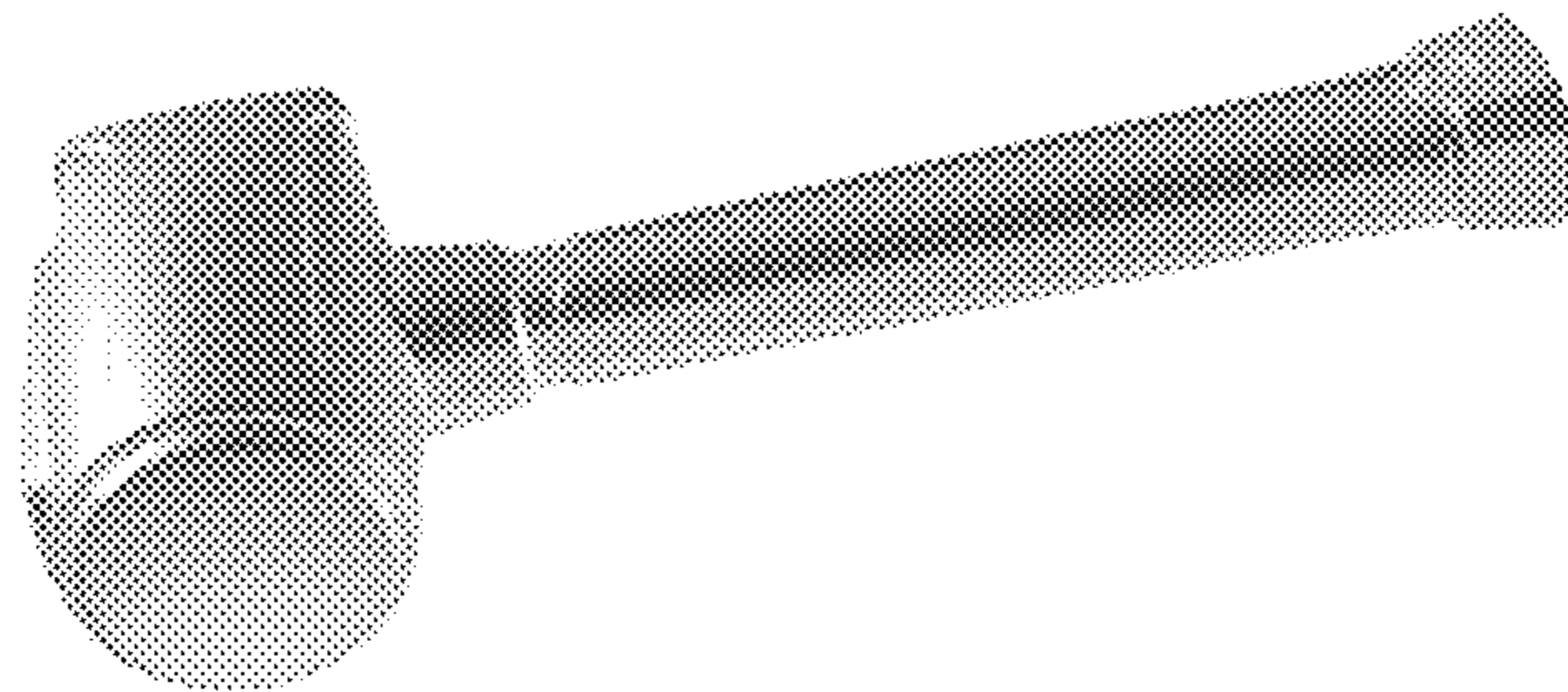
DESCRIPTION

- 1. Hammer
- 1.1 is a perspective view of a hammer showing my new design;
- 1.2 is a rear elevation view thereof
- 1.3 is a left side elevation view thereof;
- 1.4 is a front elevation view thereof;
- 1.5 is a right side elevation view thereof;
- 1.6 is a top right perspective view thereof;
- 1.7 is a bottom right perspective view thereof.

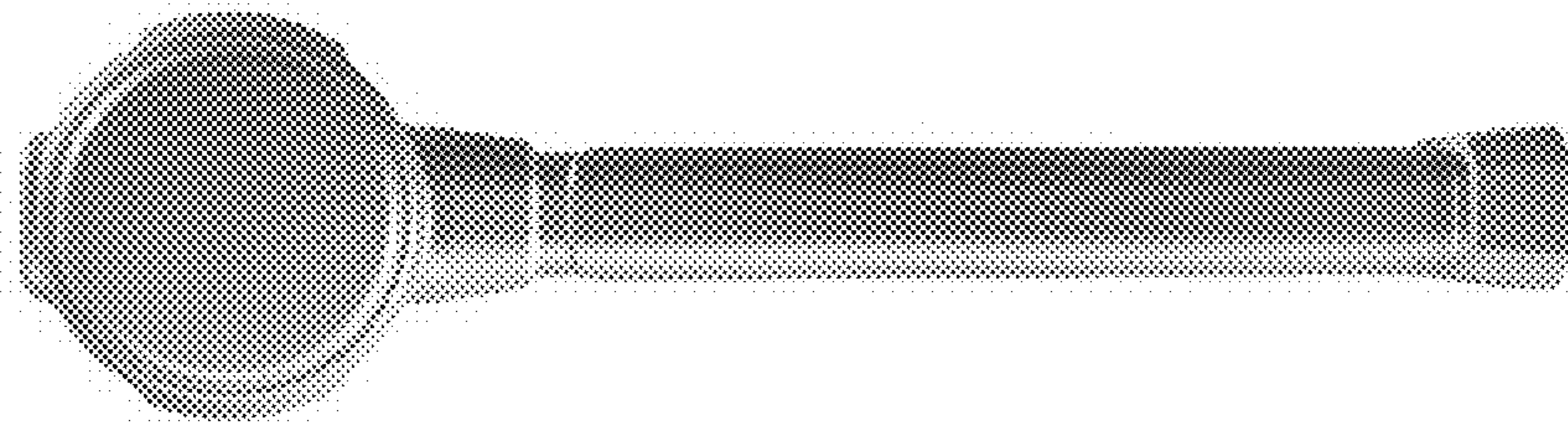
1 Claim, 7 Drawing Sheets



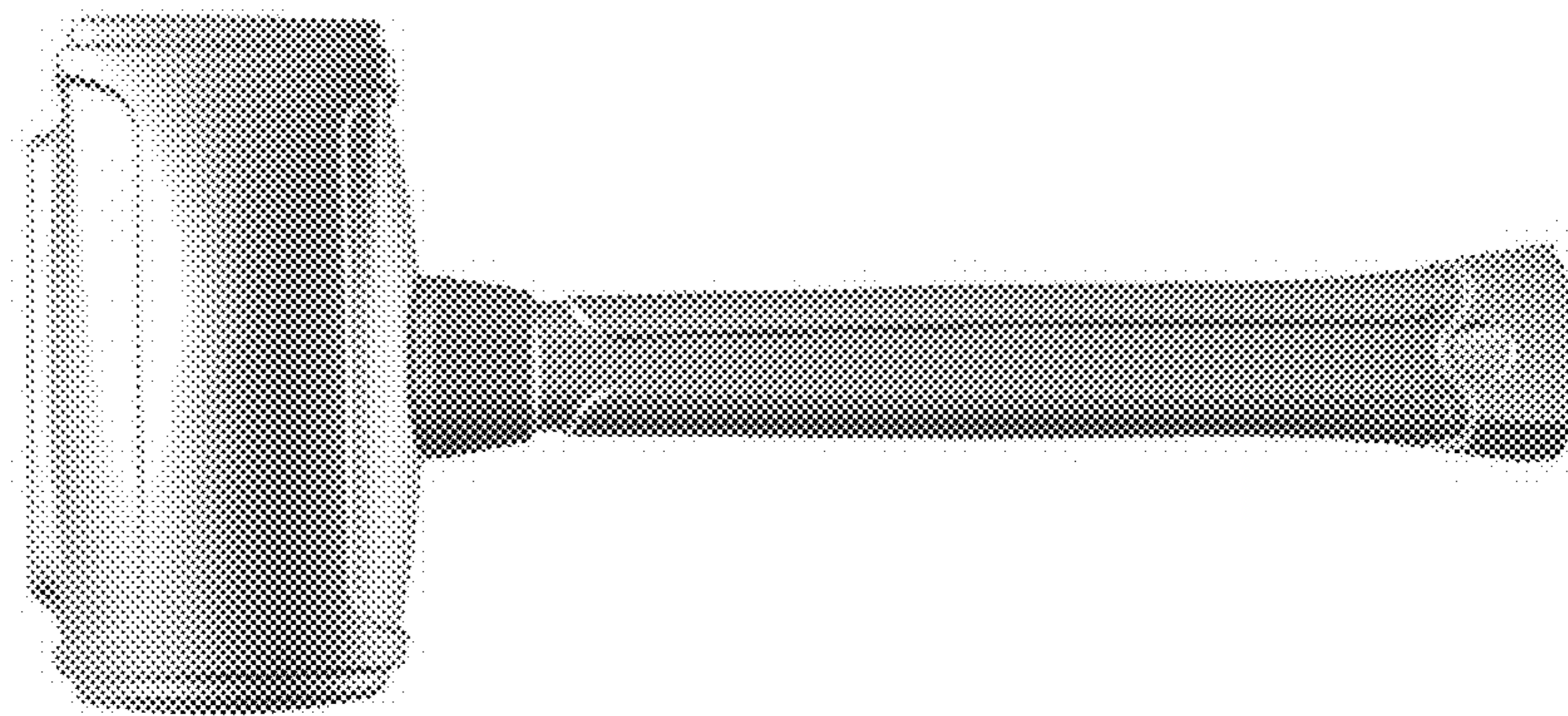
1.1



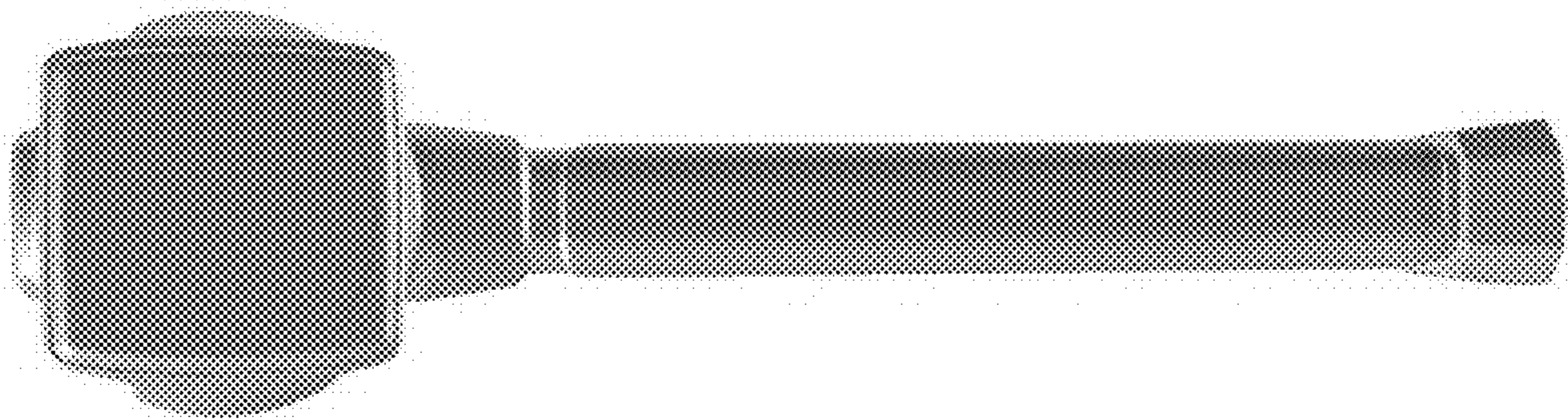
1.2



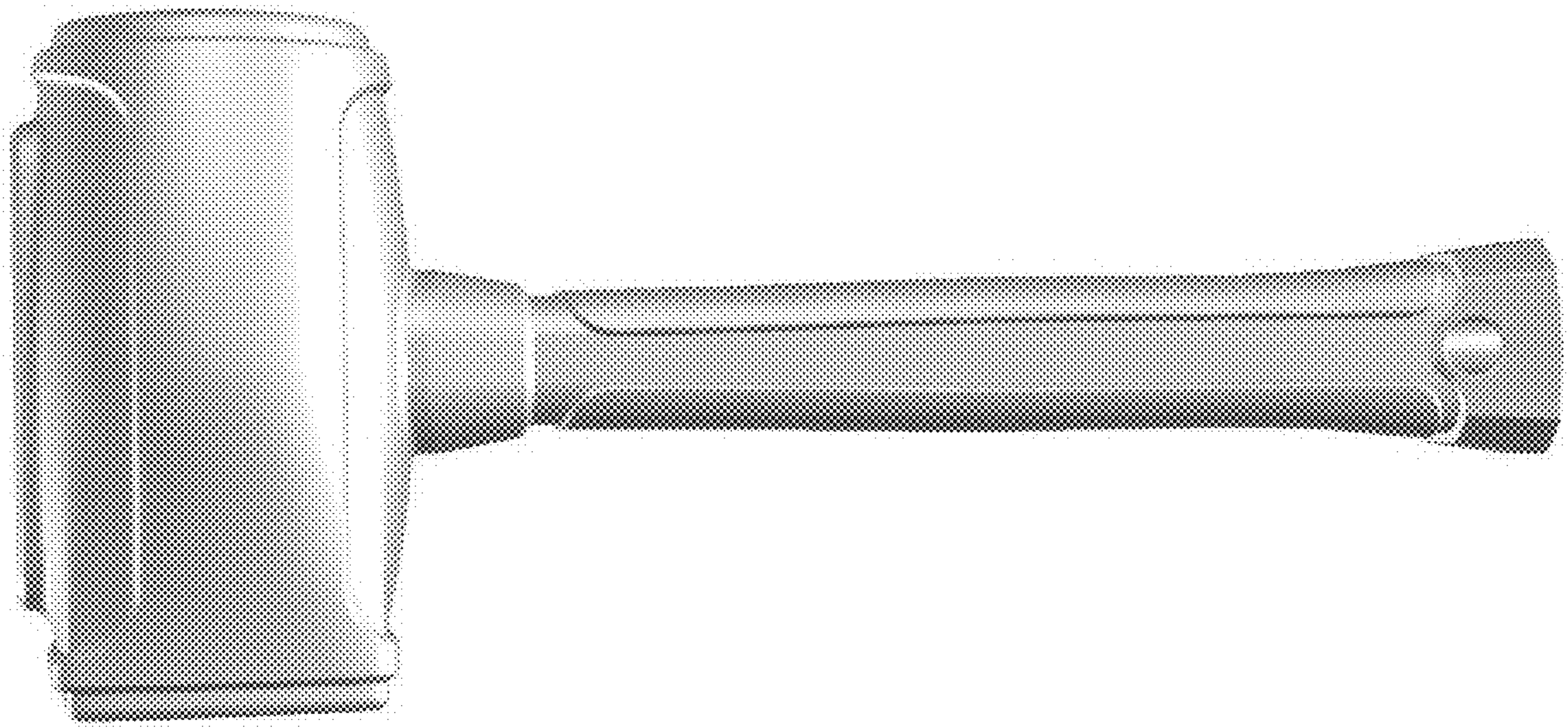
1.3



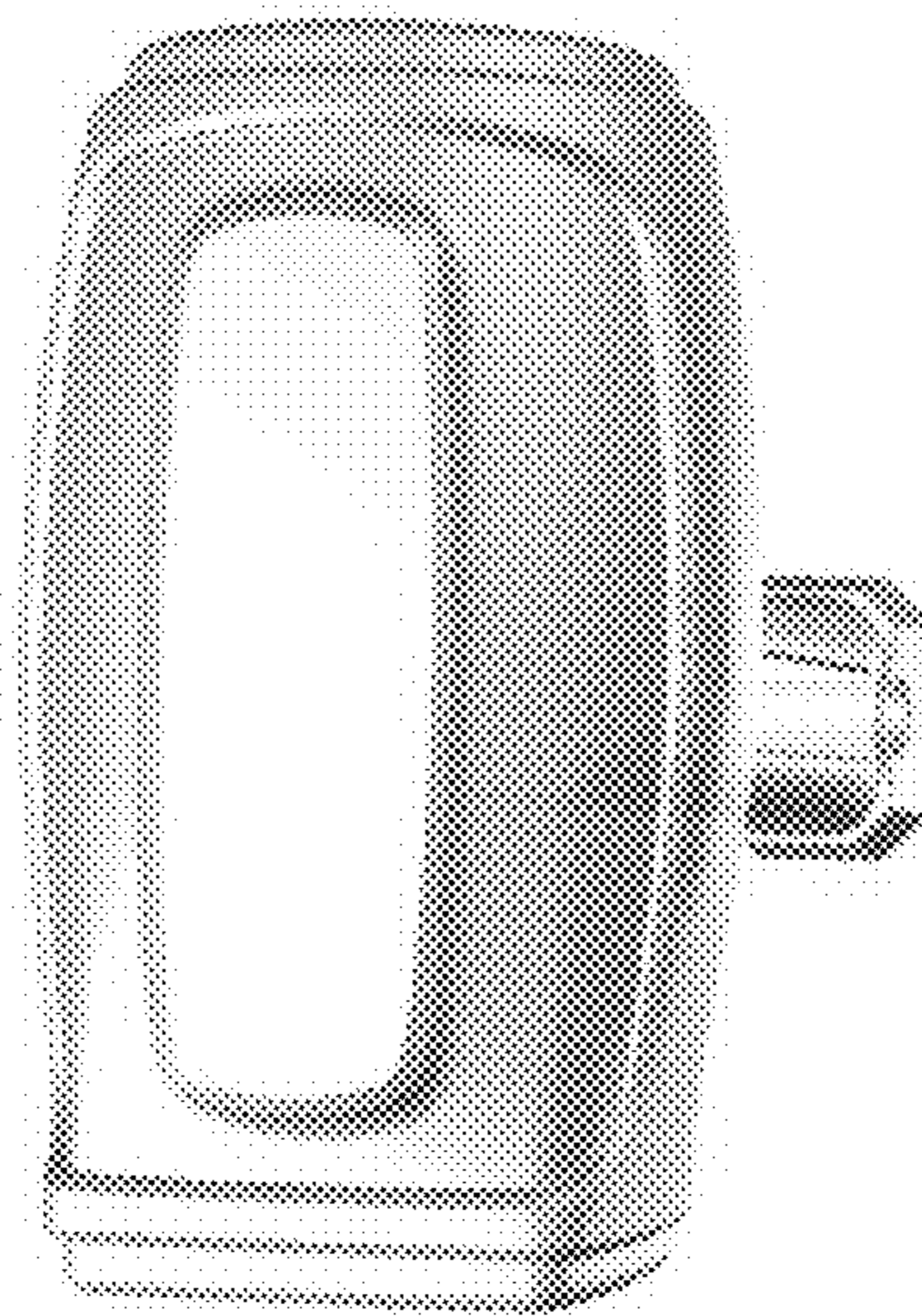
1.4



1.5



1.6



1.7

