



US00D888524S

(12) **United States Design Patent**
Weber

(10) **Patent No.:** **US D888,524 S**

(45) **Date of Patent:** **** Jun. 30, 2020**

(54) **BAR CLAMP**

(71) Applicant: **Tory Weber Innovation Corporation,**
Calgary (CA)

(72) Inventor: **Tory Weber,** Calgary (CA)

(**) Term: **15 Years**

(21) Appl. No.: **29/671,113**

(22) Filed: **Nov. 22, 2018**

(51) **LOC (12) Cl.** **08-05**

(52) **U.S. Cl.**
USPC **D8/72**

(58) **Field of Classification Search**
USPC D8/71-74, 394-399, 59; 248/63, 72,
248/74.1, 689, 124.2; 81/487, 385, 386,
81/388-390; 269/3, 4, 6, 143, 165, 240,
269/243, 246-249, 254 R, 147-149;
29/256, 257, 276; 408/103, 104-109
CPC B25B 1/00; B25B 5/00
See application file for complete search history.

(56) **References Cited**

U.S. PATENT DOCUMENTS

5,076,552 A * 12/1991 Challis B25B 5/068
269/203
D328,846 S * 8/1992 Sorensen D8/72
D417,377 S * 12/1999 Blank D8/72

D467,152 S * 12/2002 Wolff D8/72
D482,585 S * 11/2003 Brass D8/72
6,848,683 B2 * 2/2005 Foshag B25B 5/163
269/147
D545,161 S * 6/2007 Ranieri D8/72
D545,162 S * 6/2007 Ranieri D8/73
D597,814 S * 8/2009 Yang D8/72
D677,140 S * 3/2013 Krohmer D8/72
8,882,093 B2 * 11/2014 Kuo B25B 5/068
269/168
D788,561 S * 6/2017 Miller D8/72
D793,835 S * 8/2017 Cerezo Lotina D8/72

* cited by examiner

Primary Examiner — David G Muller

(74) *Attorney, Agent, or Firm* — Ryan W. Dupuis; Ade +
Company Inc.; Kyle R. Satterthwaite

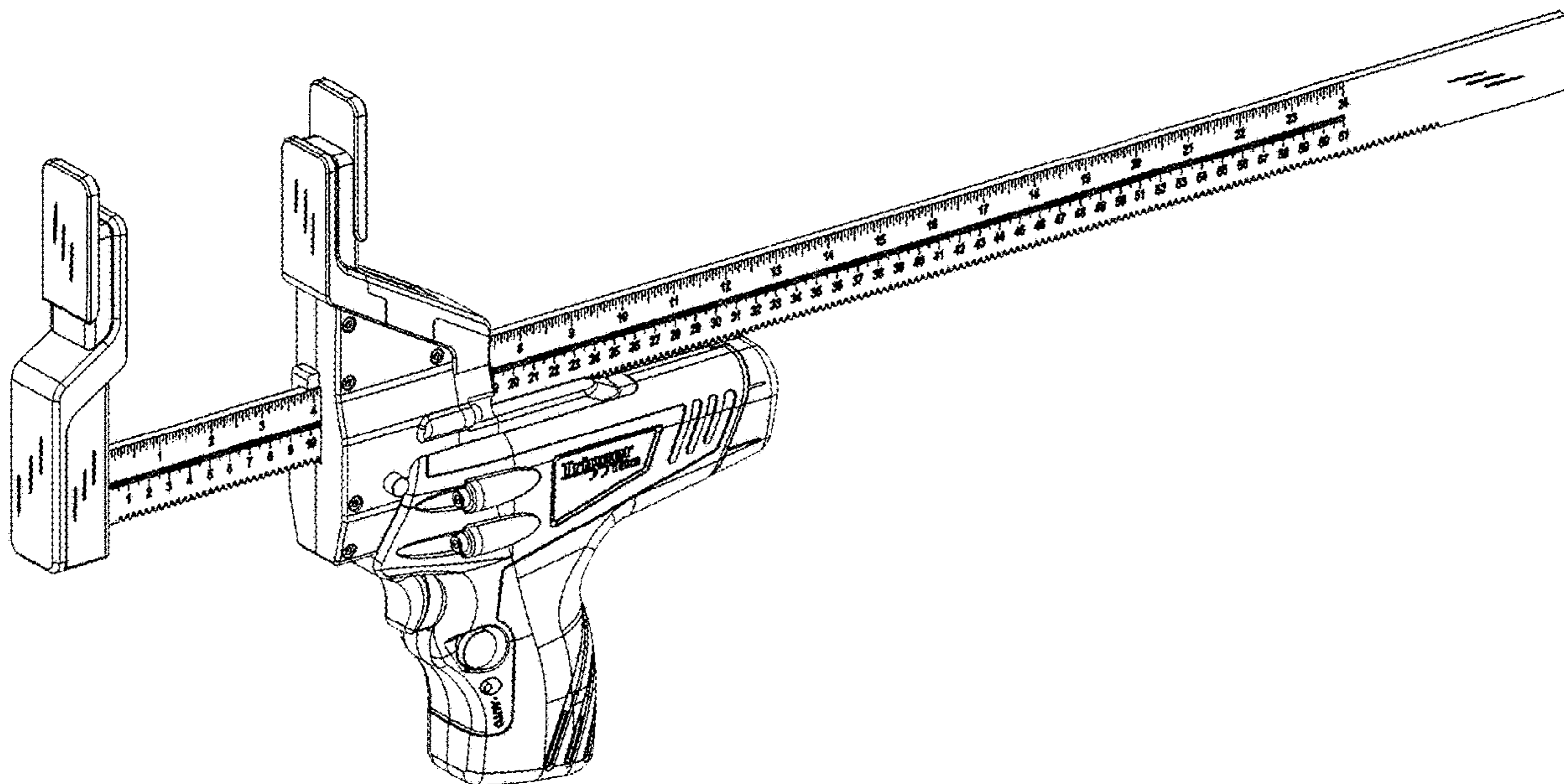
(57) **CLAIM**

The ornamental design for a bar clamp, as shown and
described.

DESCRIPTION

FIG. 1 is a perspective view of the bar clamp;
FIG. 2 is a right side elevational view of the bar clamp;
FIG. 3 is a top view of the bar clamp;
FIG. 4 is a bottom view of the bar clamp;
FIG. 5 is a left side elevational view of the bar clamp;
FIG. 6 is a front elevational view of the bar clamp; and,
FIG. 7 is a rear elevational view of the bar clamp.

1 Claim, 7 Drawing Sheets



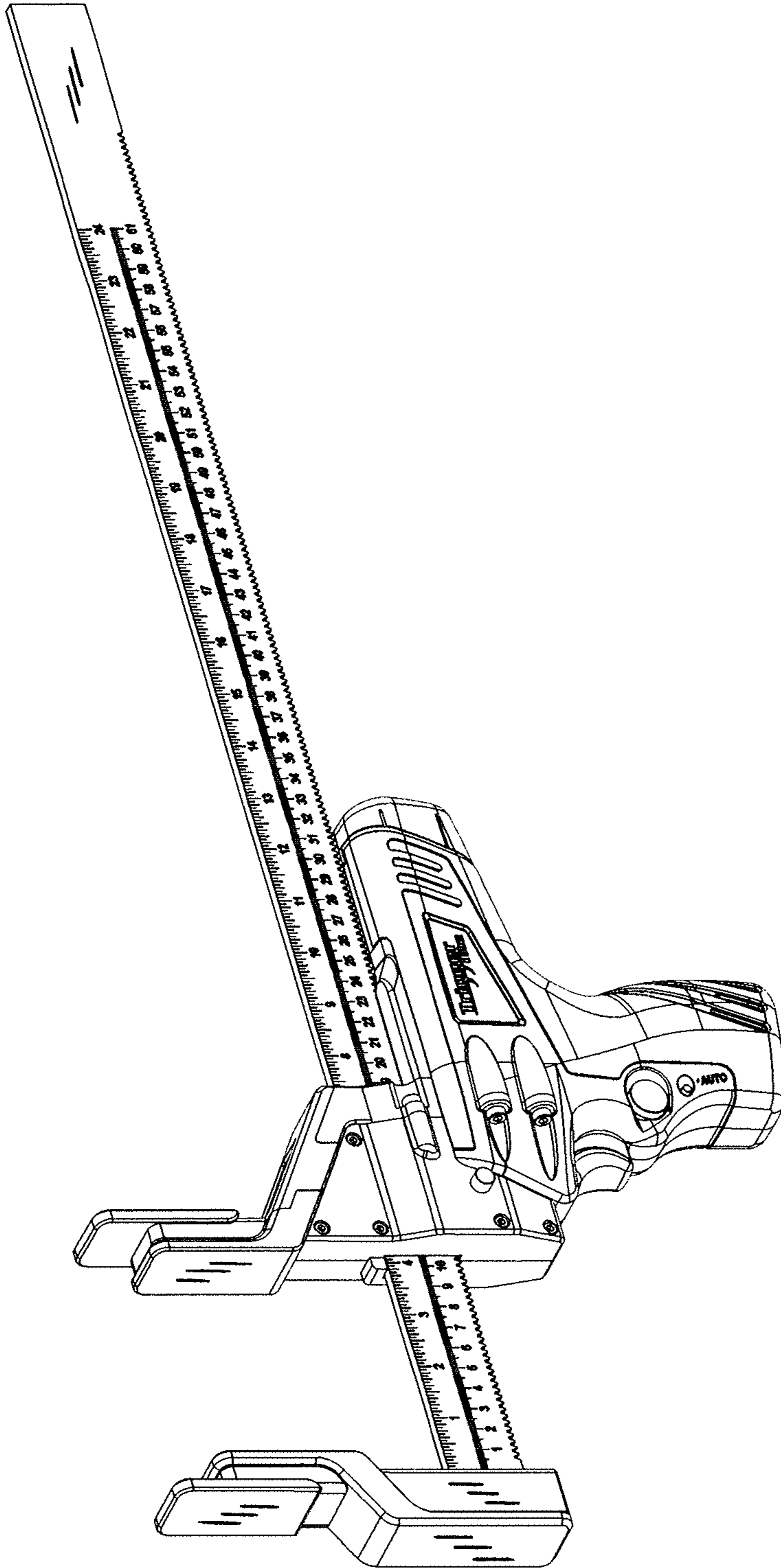


FIG. 1

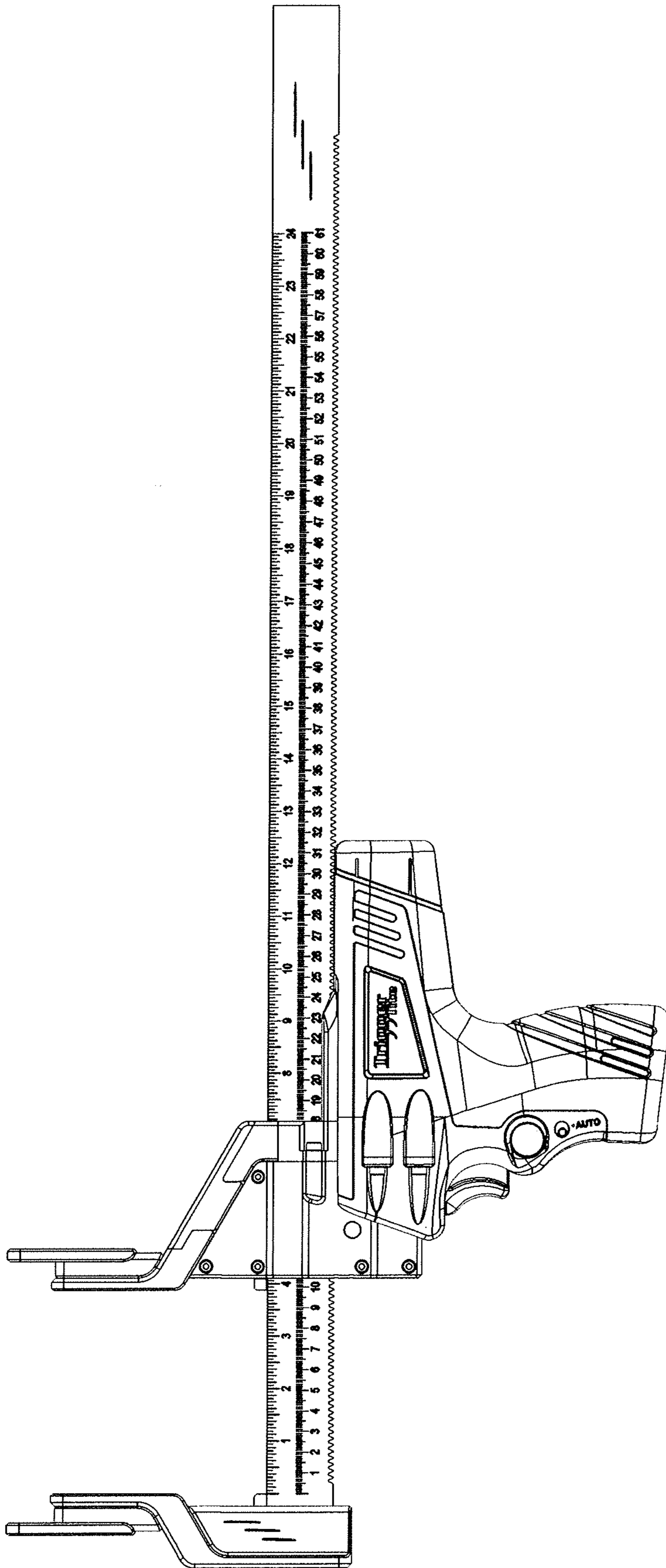


FIG. 2

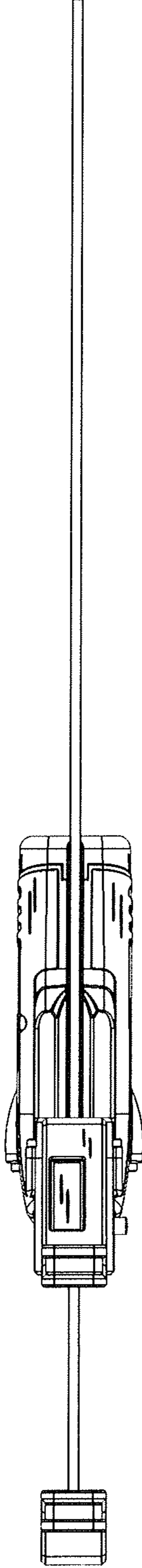


FIG. 3

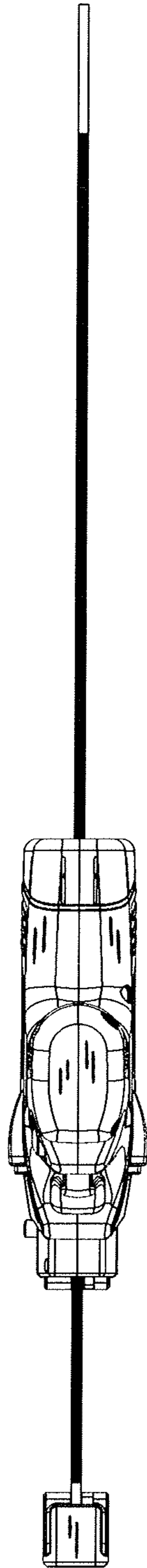


FIG. 4

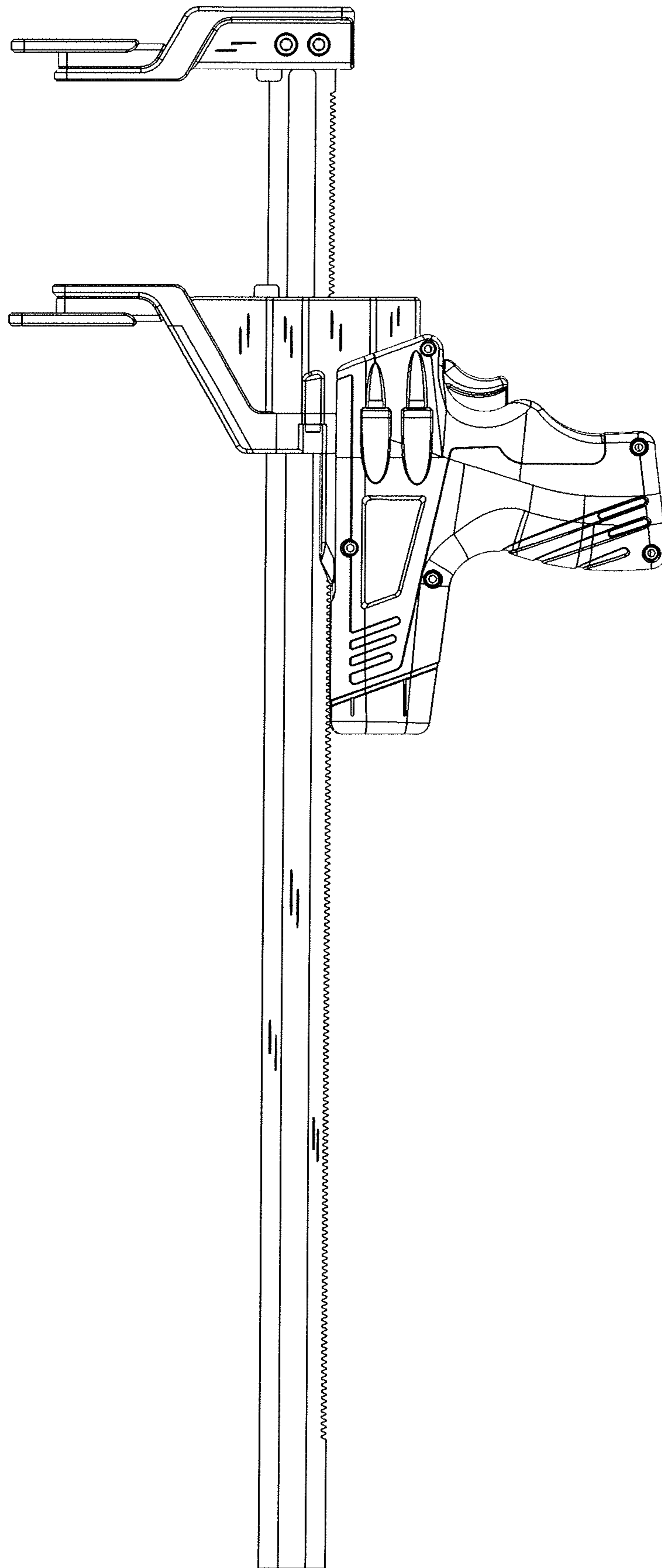


FIG. 5

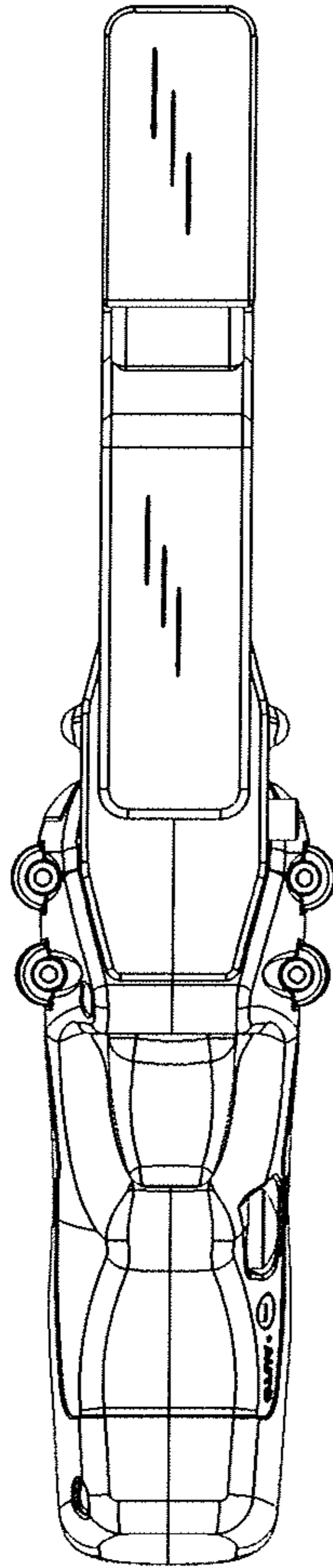


FIG. 6

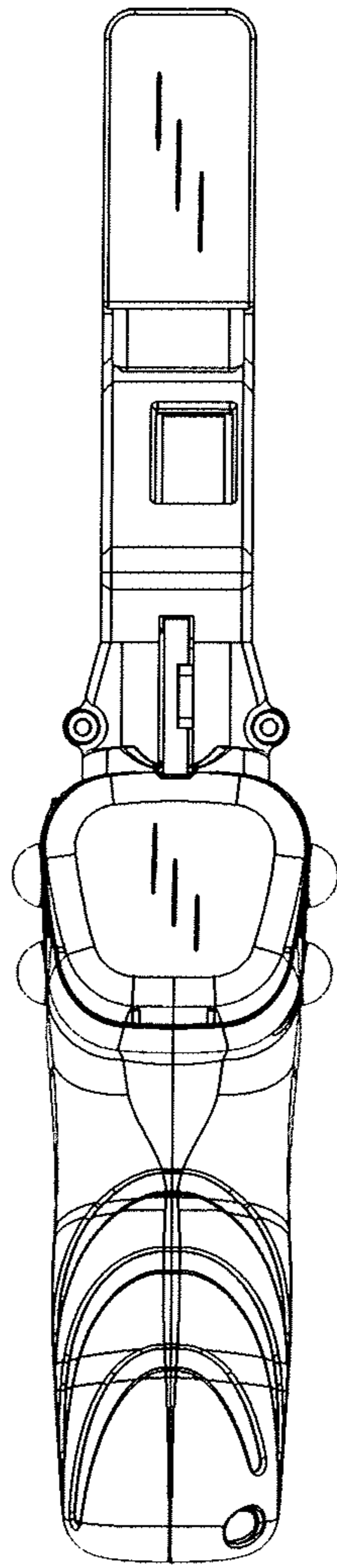


FIG. 7