



US00D888523S

(12) **United States Design Patent**  
**Good**

(10) **Patent No.:** **US D888,523 S**  
(45) **Date of Patent:** **\*\* Jun. 30, 2020**

(54) **INLINE CLAMP**

(71) Applicant: **KREG ENTERPRISES, INC.**, Huxley, IA (US)

(72) Inventor: **Frederick James Good**, Ogden, IA (US)

(73) Assignee: **KREG ENTERPRISES, INC.**, Huxley, IA (US)

(\*\*) Term: **15 Years**

(21) Appl. No.: **29/639,874**

(22) Filed: **Mar. 9, 2018**

**Related U.S. Application Data**

(63) Continuation of application No. 15/916,474, filed on Mar. 9, 2018.

(51) **LOC (12) Cl.** ..... **08-05**

(52) **U.S. Cl.**  
USPC ..... **D8/72**

(58) **Field of Classification Search**  
USPC ..... D8/71-74, 394-399, 59; 248/63, 72, 248/74.1, 689, 124.2; 81/487, 385, 386,  
(Continued)

(56) **References Cited**

**U.S. PATENT DOCUMENTS**

4,840,387 A 6/1989 McCarthy  
D322,259 S \* 12/1991 Quandt ..... D15/135  
(Continued)

*Primary Examiner* — David G Muller

(74) *Attorney, Agent, or Firm* — Christopher A. Proskey;  
BrownWinick Law Firm

(57) **CLAIM**

The ornamental design for an inline clamp, as is shown and described.

**DESCRIPTION**

FIG. 1 is an elevation view of a top side of an inline clamp, the view showing the inline clamp formed of a base, a shoe,

a scroll wheel and a cap, the view showing the inline clamp in an assembled state, the view showing the shoe in an extended position;

FIG. 2 is an elevation view of a bottom side of an inline clamp, the view showing the inline clamp formed of a base, a shoe, and a scroll wheel, the view showing the inline clamp in an assembled state, the view showing the shoe in an extended position;

FIG. 3 is an elevation view of a left side of an inline clamp, the view showing the inline clamp formed of a base, a shoe, a scroll wheel and a cap, the view showing the inline clamp in an assembled state, the view showing the shoe in an extended position;

FIG. 4 is an elevation view of a right side of an inline clamp, the view showing the inline clamp formed of a base, a shoe, a scroll wheel and a cap, the view showing the inline clamp in an assembled state, the view showing the shoe in an extended position;

FIG. 5 is an elevation view of a rearward side of an inline clamp, the view showing the inline clamp formed of a base, a shoe, a scroll wheel and a cap, the view showing the inline clamp in an assembled state;

FIG. 6 is an elevation view of a rearward side of an inline clamp, the view showing the inline clamp formed of a base, a shoe, a scroll wheel and a cap, the view showing the inline clamp in an assembled state;

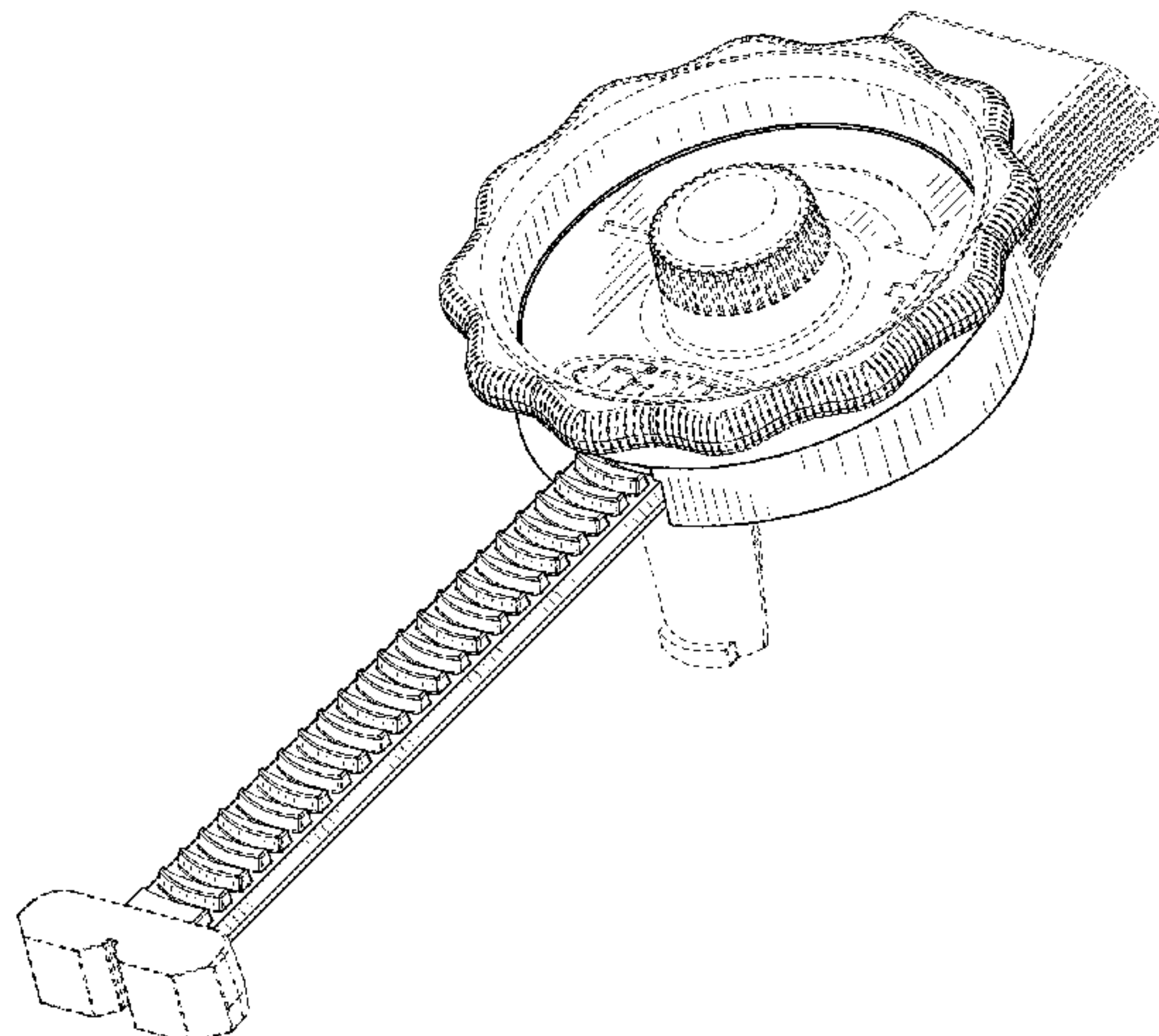
FIG. 7 is a perspective view of a top side of an inline clamp, the view showing the inline clamp formed of a base, a shoe, and a scroll wheel, the view showing the inline clamp in an assembled state, the view showing the shoe in an extended position;

FIG. 8 is a perspective view of a top side of an inline clamp, the view showing the inline clamp formed of a base, a shoe, and a scroll wheel, the view showing the inline clamp in an exploded state;

FIG. 9 is a perspective view of a bottom side of an inline clamp, the view showing the inline clamp formed of a base, a shoe, and a scroll wheel, the view showing the inline clamp in an exploded state, the view showing the scroll wheel having a helical feature that is configured to mesh with teeth of the shoe;

FIG. 10 is an elevation view of a top side of two inline clamps in use, the view showing the two inline clamps connected to a work surface, the view showing the two

(Continued)



inline clamps with their shoes partially extended and clamping a workpiece against a pair of bench dog stops; FIG. 11 is an elevation view of a top side of two inline clamps in use, the view showing the two inline clamps connected to a work surface, the view showing the two inline clamps with their shoes partially extended and clamping a workpiece against an elongated stop; and, FIG. 12 is an elevation view of a top side of an inline clamp in use, the view showing the inline clamp connected to a work surface, the view showing the inline clamp with its shoe partially extended and clamping a workpiece against a pair of bench dog stops. The dashed lines shown represent the environment and represent unclaimed subject matter and form no part of the claimed design.

**1 Claim, 12 Drawing Sheets**

(58) **Field of Classification Search**

USPC ..... 81/388-390; 269/3, 4, 6, 143, 165, 240, 269/243, 246-249, 254 R, 147-149; 29/256, 257, 276; 408/103, 104-109

CPC ..... B25B 1/00; B25B 5/00

See application file for complete search history.

(56)

**References Cited**

U.S. PATENT DOCUMENTS

D395,993	S	*	7/1998	Price	.....	D8/72
D531,477	S	*	11/2006	Aglassinger	.....	D8/70
D554,463	S	*	11/2007	Parmer	.....	D10/65
7,325,271	B2	*	2/2008	Paterson	.....	A47L 9/0009 15/246.2
D600,522	S	*	9/2009	Hillman	.....	D8/72
D645,716	S	*	9/2011	Jones	.....	D8/74
D653,514	S	*	2/2012	Wenning	.....	D8/72
D693,200	S	*	11/2013	Saunders	.....	D8/71
D699,538	S	*	2/2014	Saunders	.....	D8/72
D718,599	S	*	12/2014	Durocher	.....	D8/74
D850,879	S	*	6/2019	Wong	.....	D8/72
D850,880	S	*	6/2019	Walters	.....	D8/73

\* cited by examiner

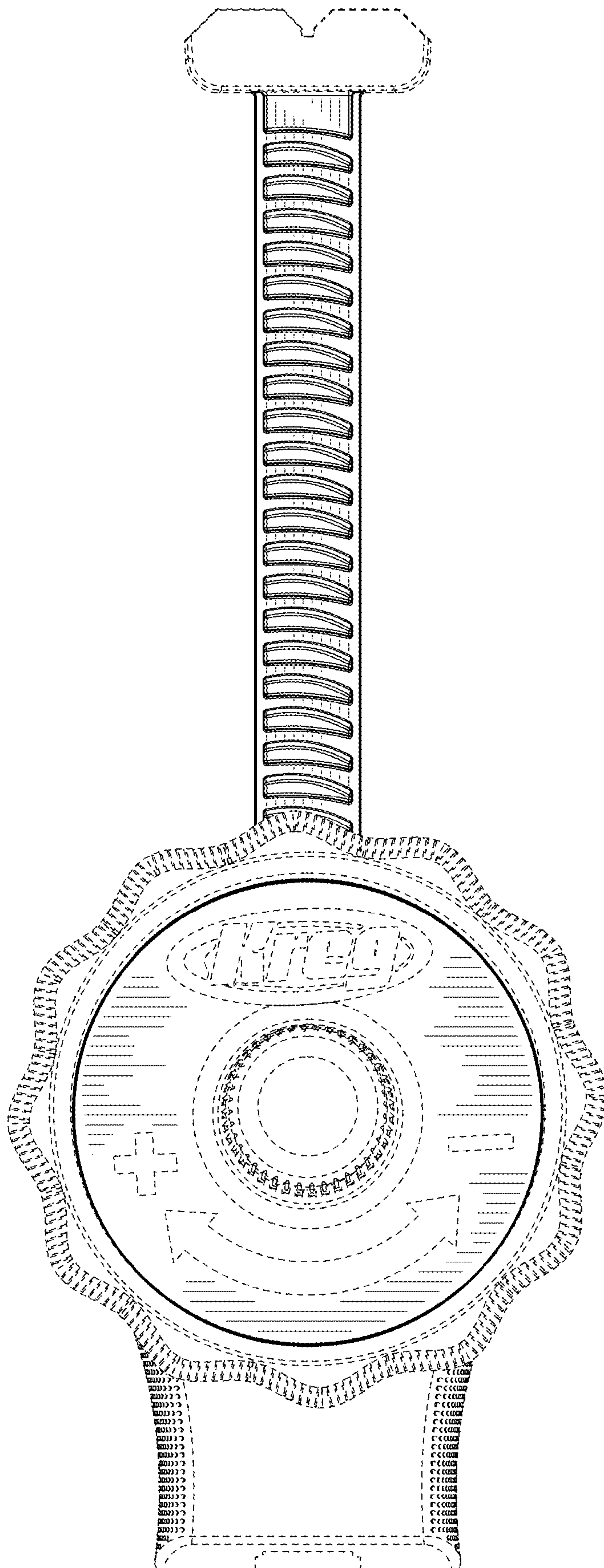


FIG. 1



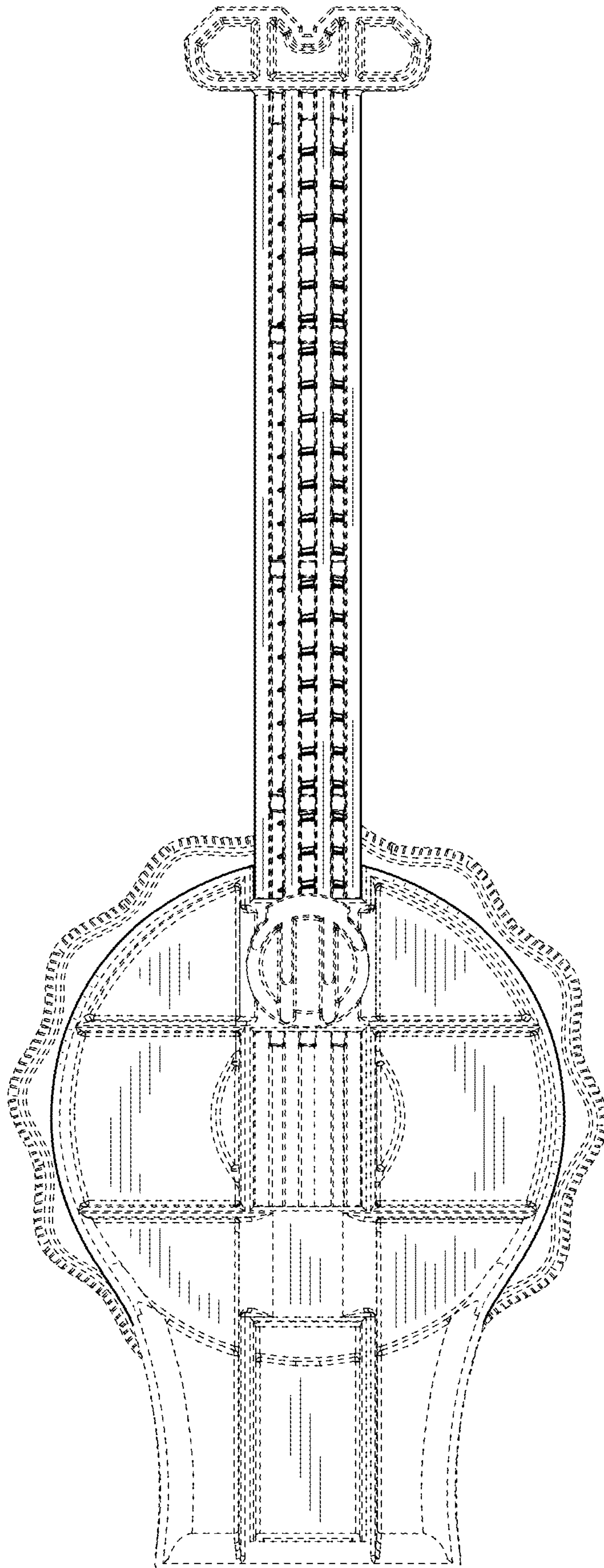


FIG. 2

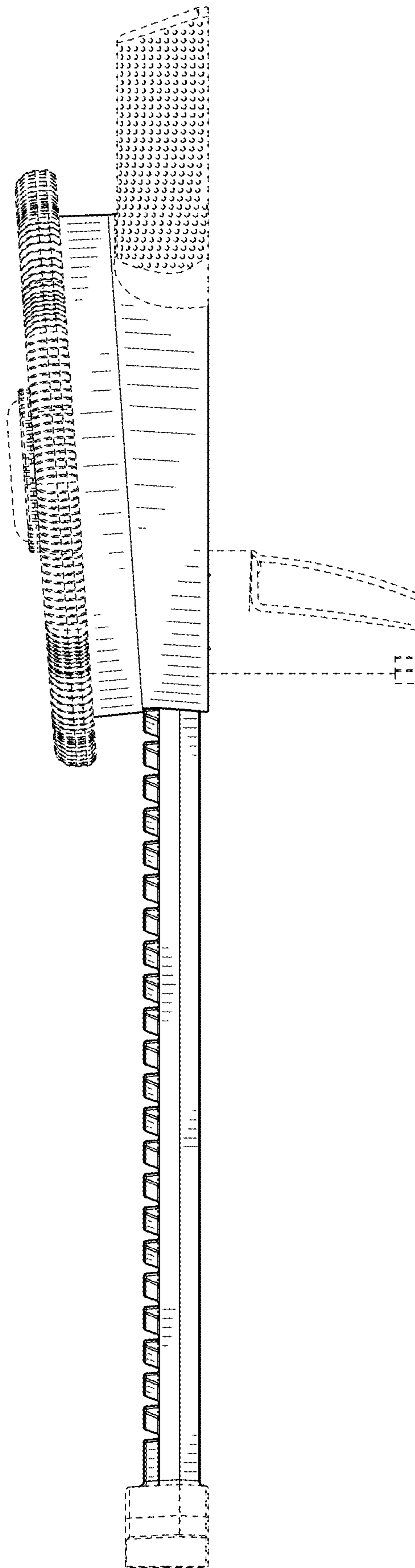


FIG. 3

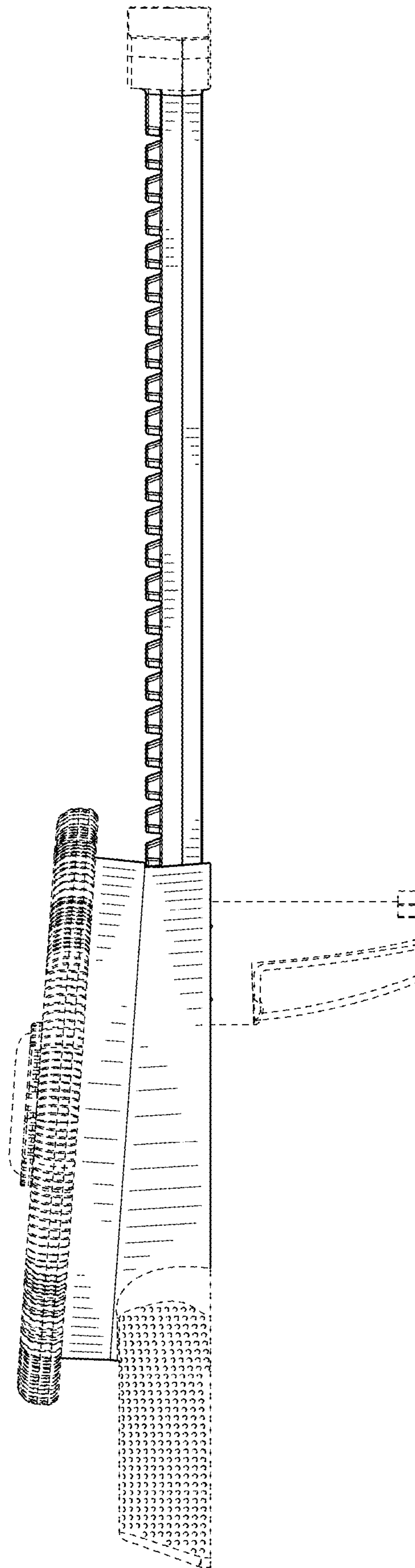


FIG. 4

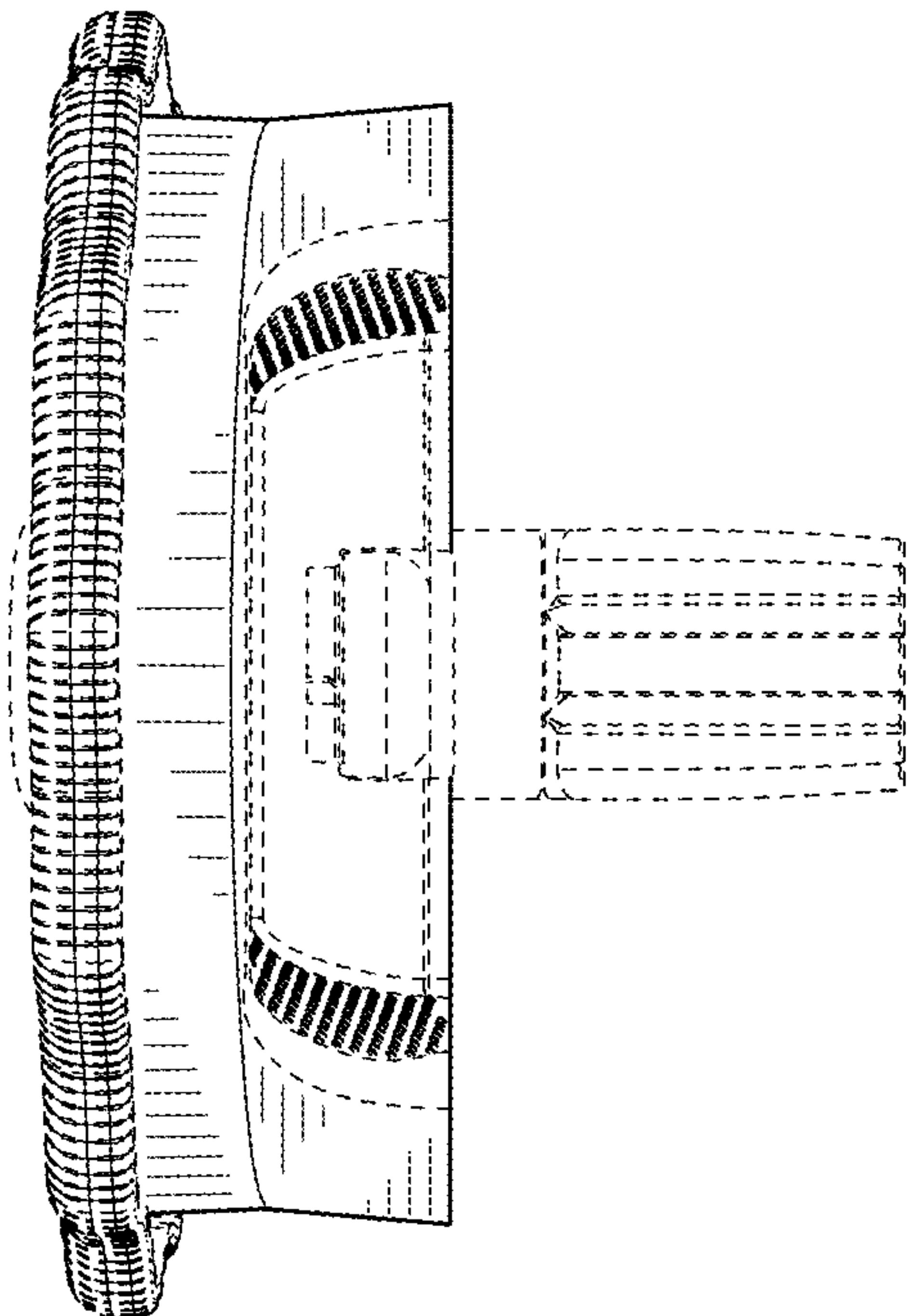


FIG. 5

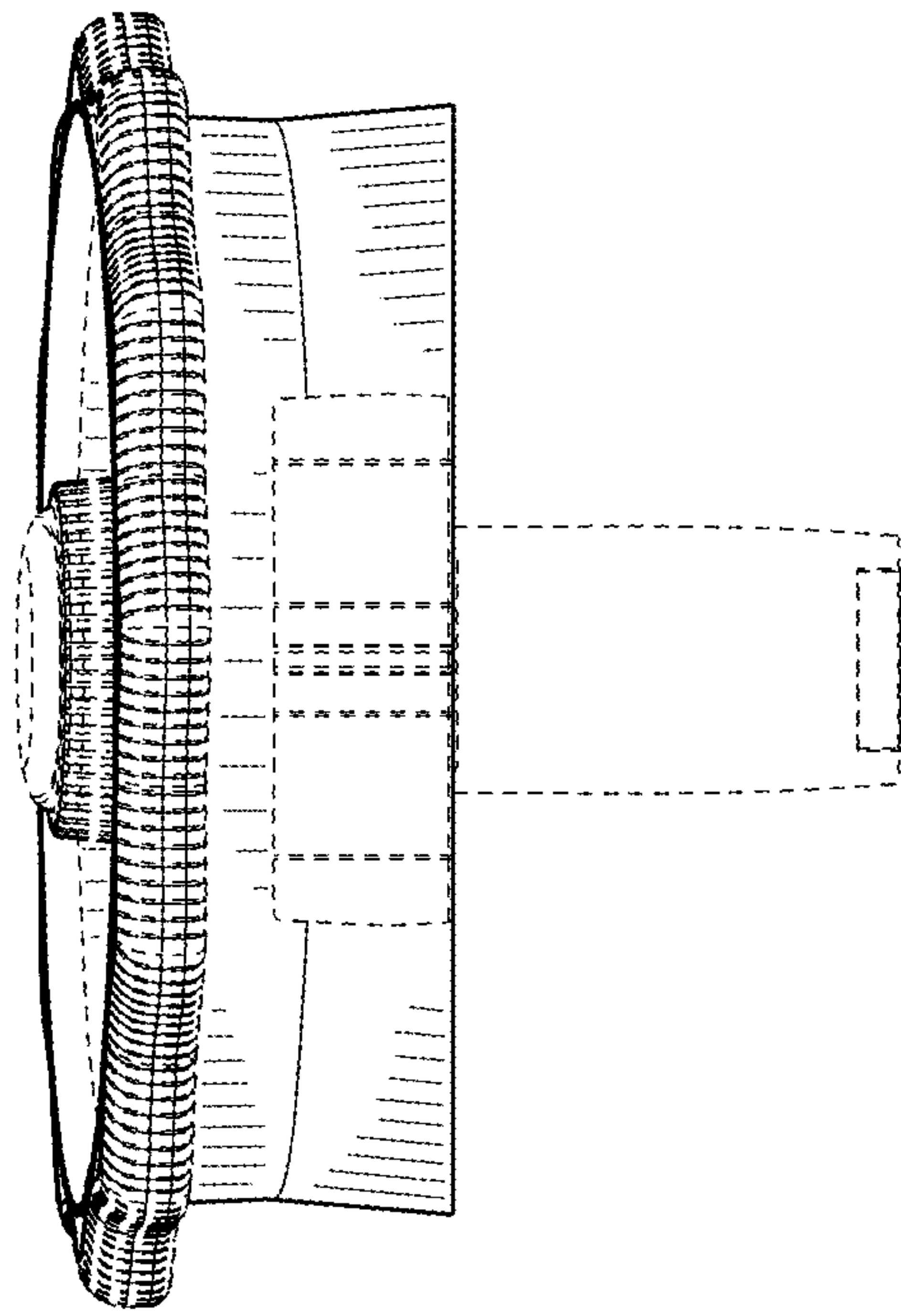


FIG. 6



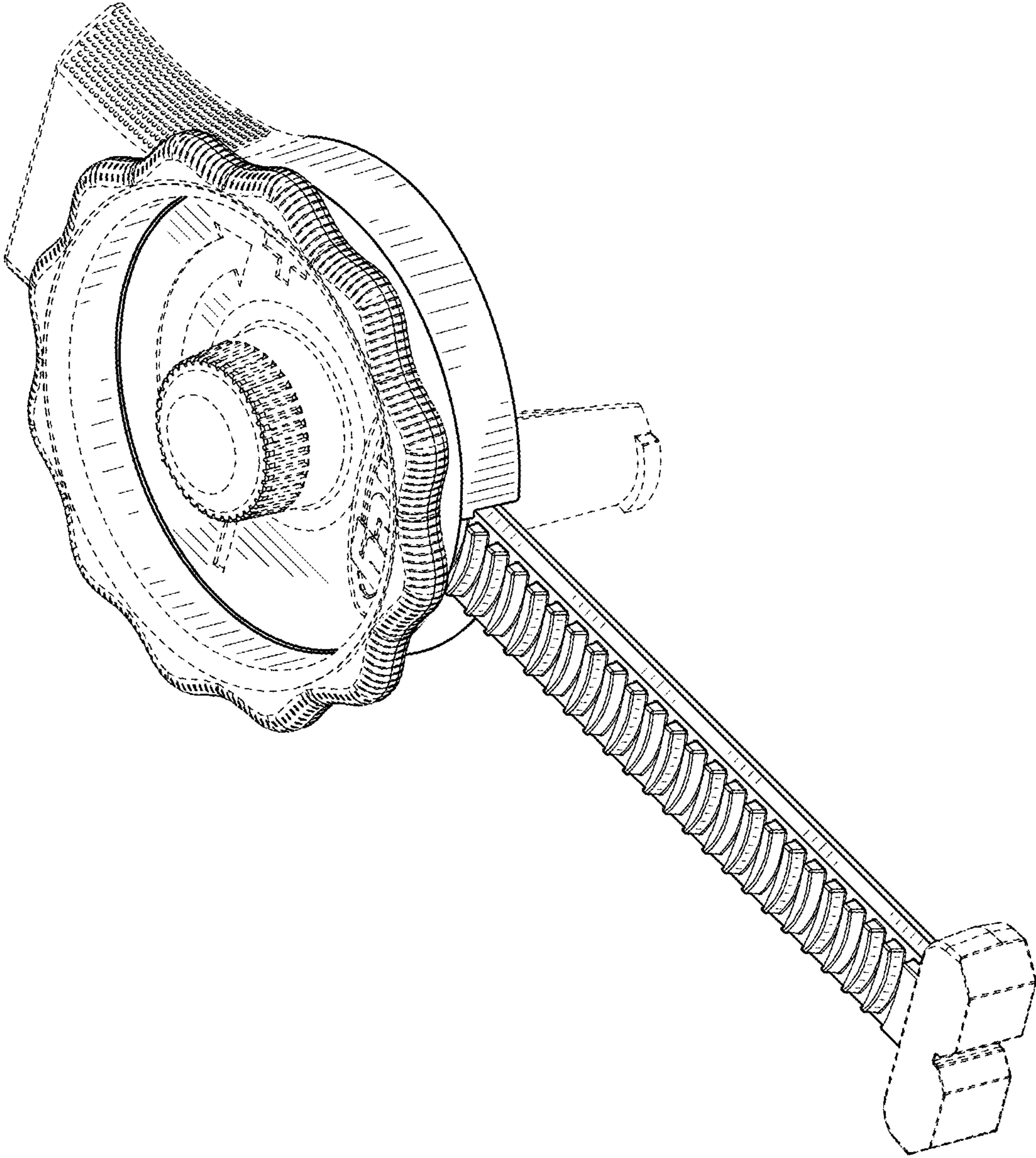


FIG. 7

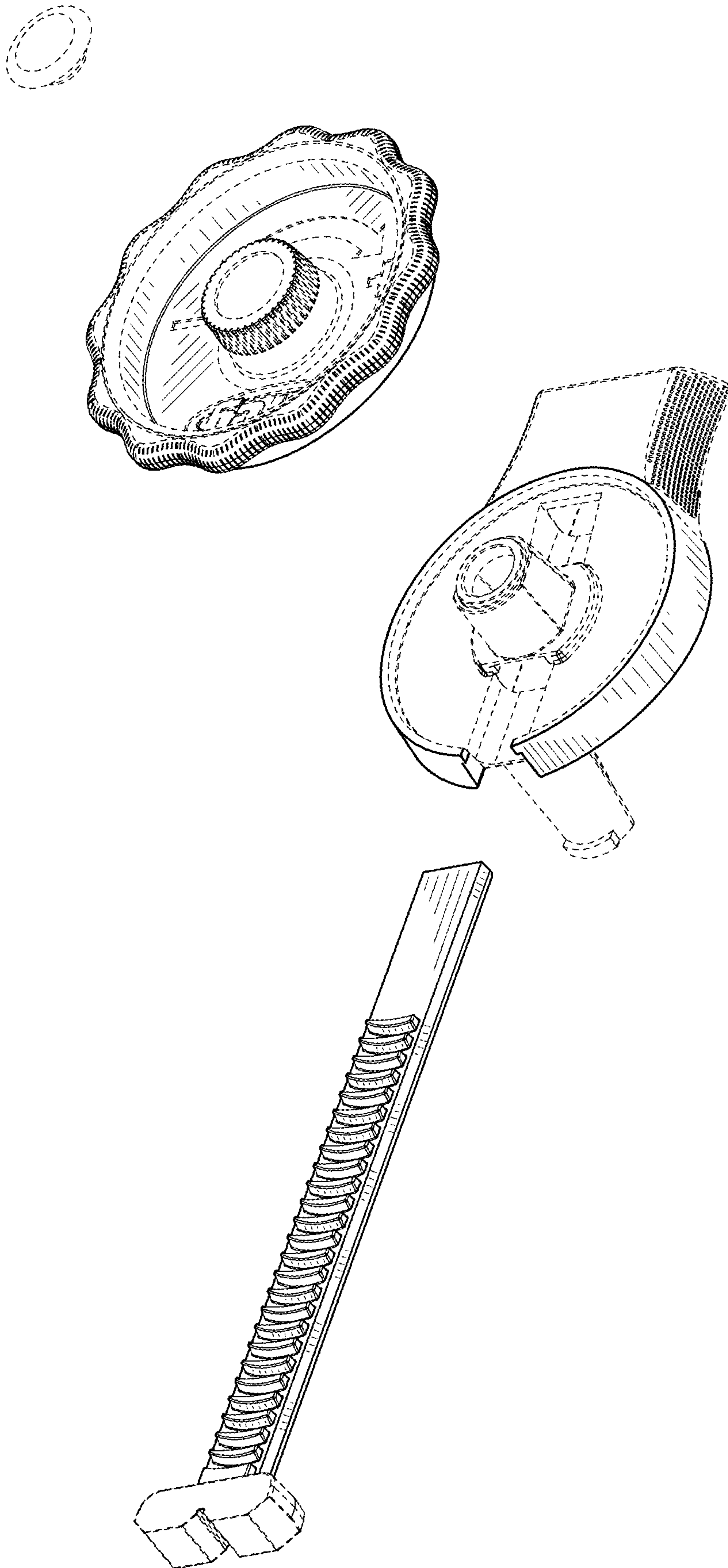


FIG. 8

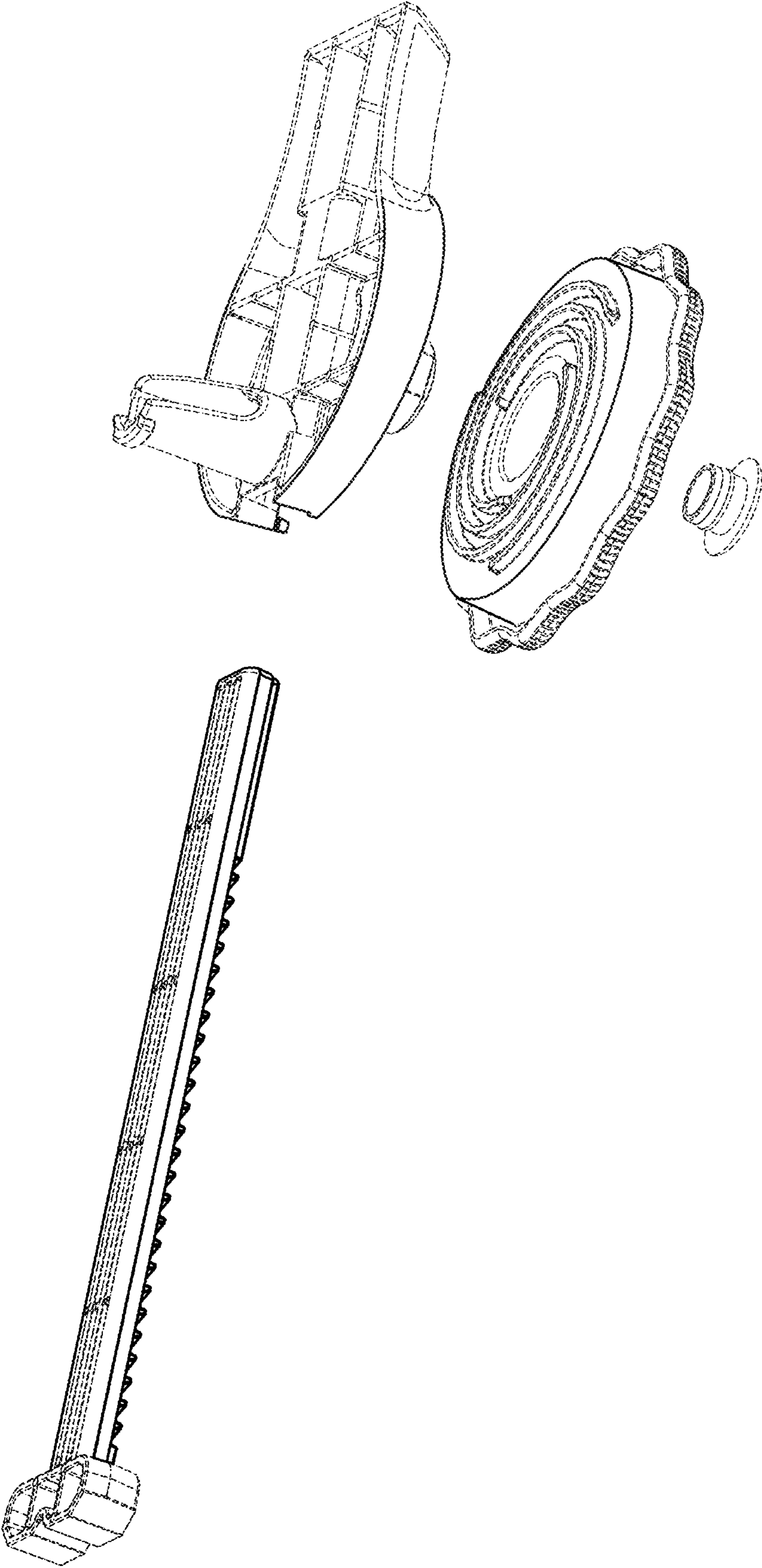


FIG. 9



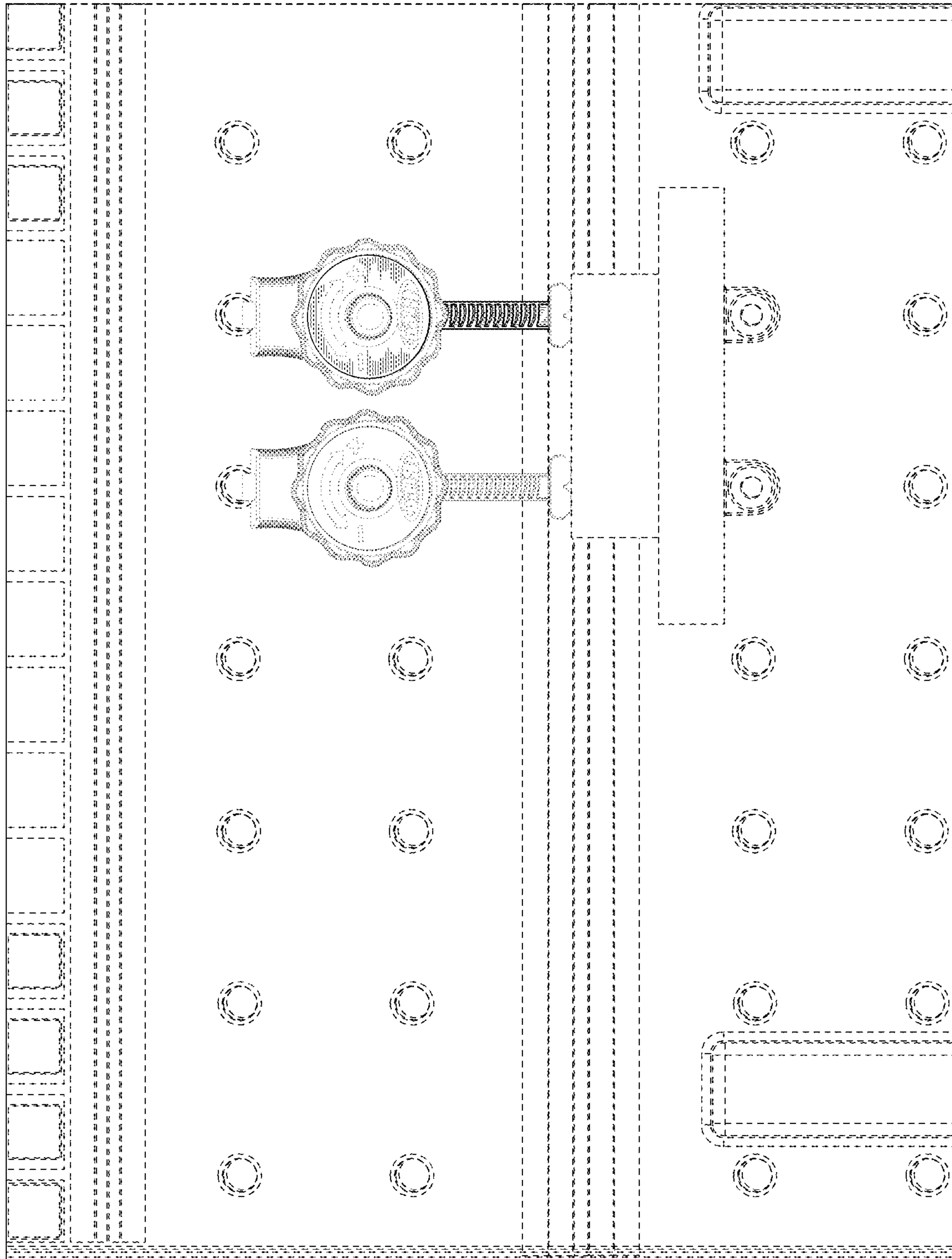


FIG. 10



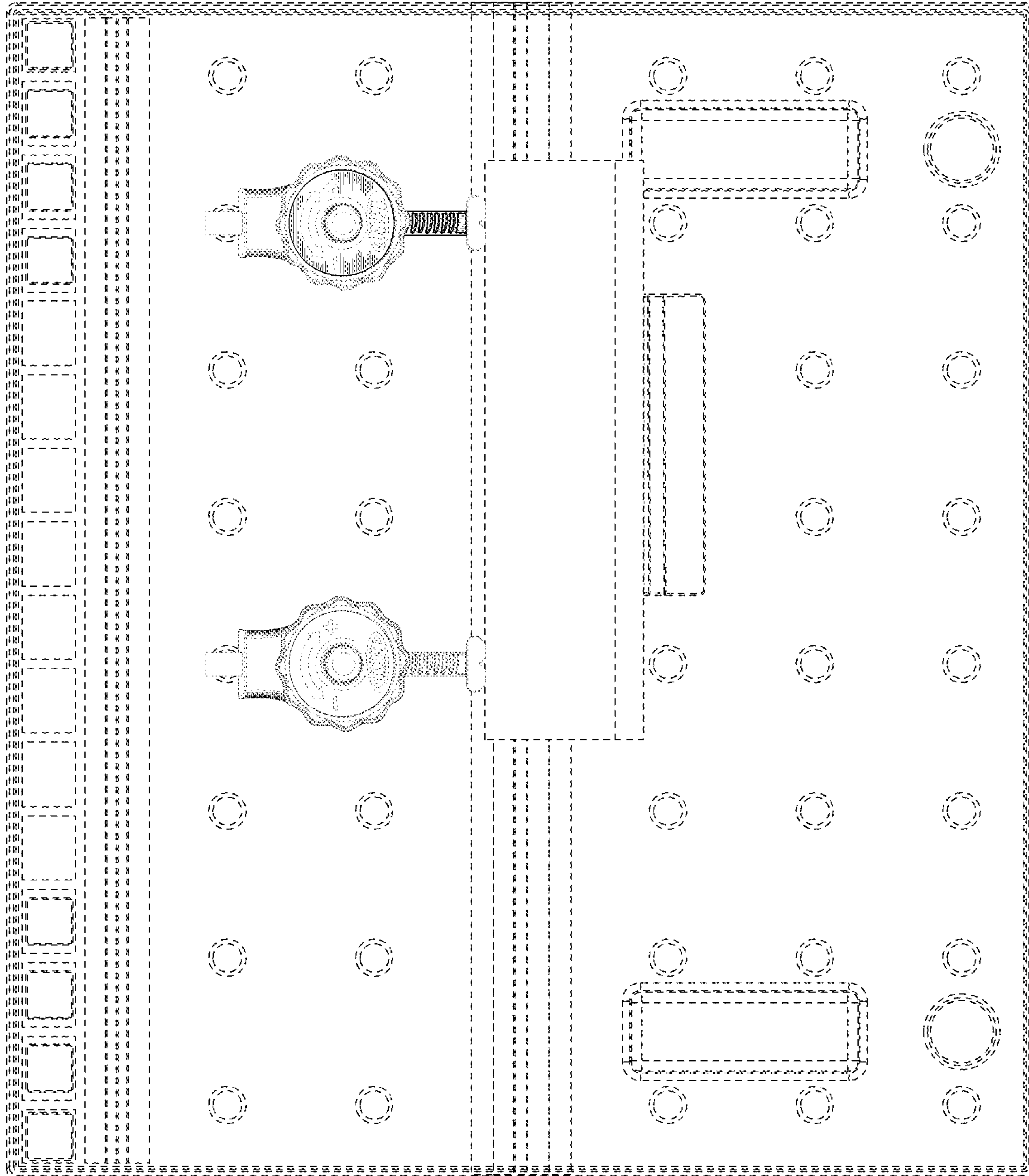


FIG. 11

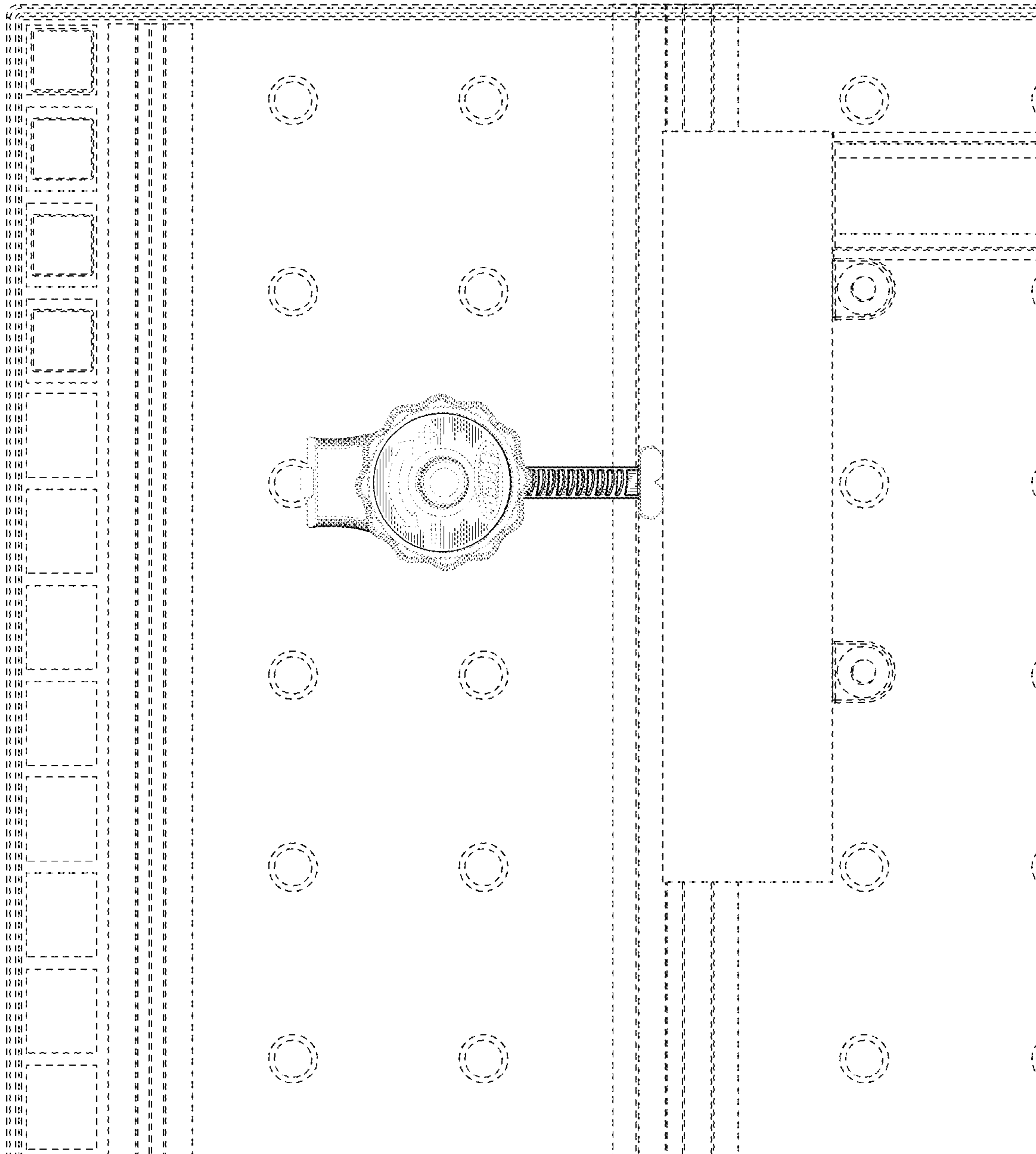


FIG. 12