



US00D888519S

(12) **United States Design Patent**
Gou

(10) **Patent No.:** **US D888,519 S**
(45) **Date of Patent:** **** Jun. 30, 2020**

- (54) **SOLDER FEED IRON**
- (71) Applicant: **Guangzhou Yihua Electronic Equipment Co., Ltd.**, Guangzhou, Guangdong (CN)
- (72) Inventor: **Mingkang Gou**, Guangdong (CN)
- (73) Assignee: **GUANGZHOU YIHUA ELECTRONIC EQUIPMENT CO., LTD.**, Guangdong, Guangzhou (CN)
- (**) Term: **15 Years**
- (21) Appl. No.: **29/690,796**
- (22) Filed: **May 10, 2019**
- (51) **LOC (12) Cl.** **08-05**
- (52) **U.S. Cl.**
USPC **D8/30**
- (58) **Field of Classification Search**
USPC D8/14, 29.1, 29.2, 30, 51; D15/144
CPC B23K 3/0615; B23K 3/063; B23K 3/06;
B23K 3/046; B23K 3/021; B23K 3/022;
B23K 3/023; B23K 3/033
See application file for complete search history.

- (56) **References Cited**
U.S. PATENT DOCUMENTS
- 3,707,258 A * 12/1972 Schlitt B23K 3/0615
228/52
- 3,796,856 A * 3/1974 Wei-Cheng B23K 3/0615
219/230
- 3,852,565 A * 12/1974 Kager B23K 3/0615
219/241
- 4,199,096 A * 4/1980 Keefe B23K 3/0615
228/52
- 4,247,137 A * 1/1981 St. Clair B23K 3/0615
228/52

- 4,793,541 A * 12/1988 Dravnieks B23K 3/063
219/229
- 5,813,591 A * 9/1998 Quinn B23K 3/063
226/127
- 6,064,036 A * 5/2000 Kensrue B23K 9/1333
219/137.2
- 6,369,359 B1 * 4/2002 Morrison B23K 3/0615
219/229
- D517,384 S * 3/2006 Ishii D8/30

* cited by examiner

Primary Examiner — Philip S Hyder
(74) *Attorney, Agent, or Firm* — Lucas & Mercanti, LLP

(57) **CLAIM**

The ornamental design for a solder feed iron, as shown and described.

DESCRIPTION

FIG. 1 is a perspective view of the solder feed iron.
 FIG. 2 is a front view thereof;
 FIG. 3 is a rear view thereof;
 FIG. 4 is a left side view thereof;
 FIG. 5 is a right side view thereof;
 FIG. 6 is a top view thereof;
 FIG. 7 is a bottom view thereof;
 FIG. 8. is a perspective view of a second embodiment of the solder feed iron.
 FIG. 9 is a front view of the second embodiment thereof;
 FIG. 10 is a rear view of the second embodiment thereof;
 FIG. 11 is a left side view of the second embodiment thereof;
 FIG. 12 is a right side view of the second embodiment thereof;
 FIG. 13 is a top view of the second embodiment thereof;
 and,
 FIG. 14 is a bottom view of the second embodiment thereof.
 The broken lines in figures are to show unclaimed subject matter and form no part of the claimed design.

1 Claim, 10 Drawing Sheets

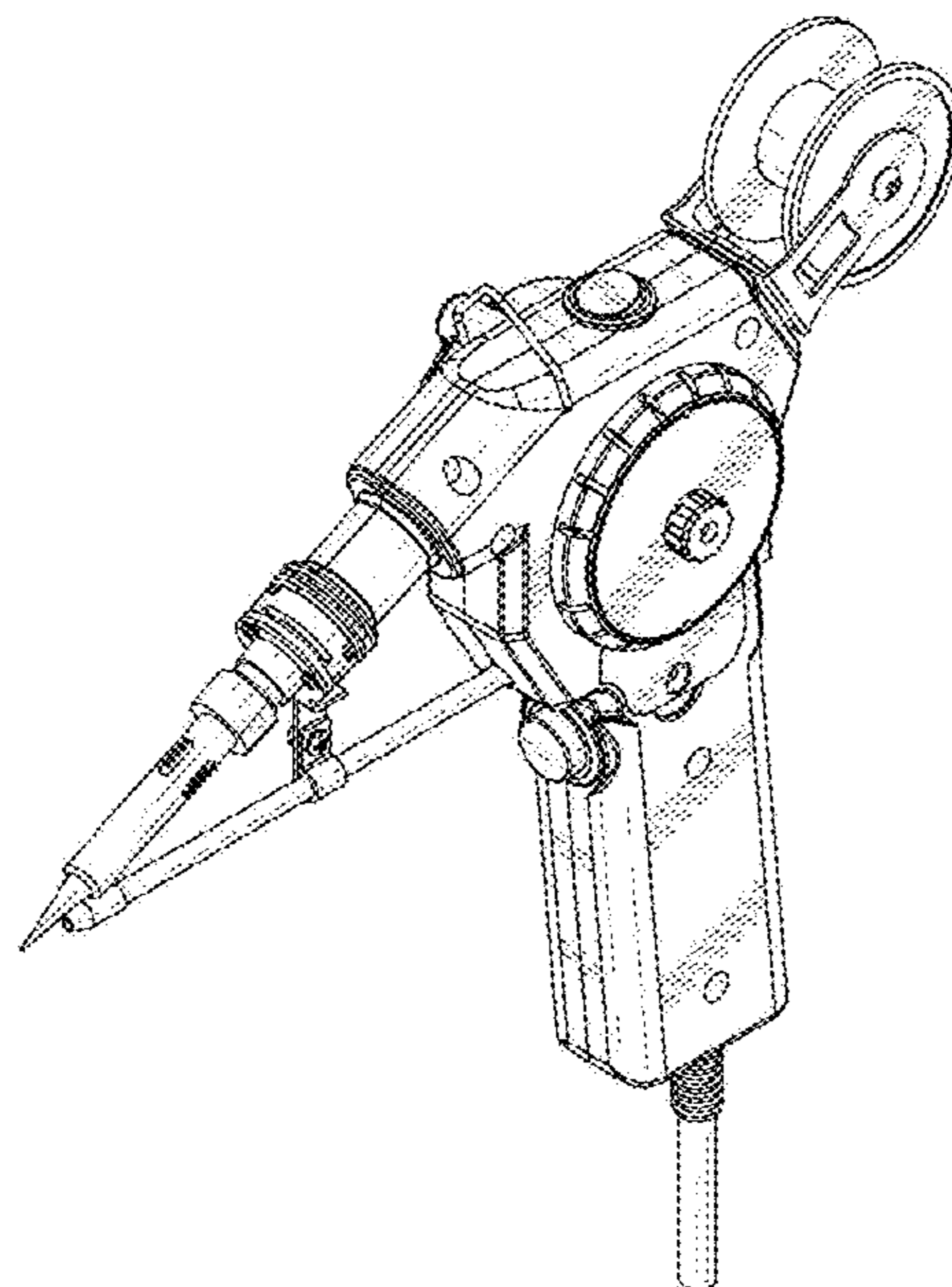
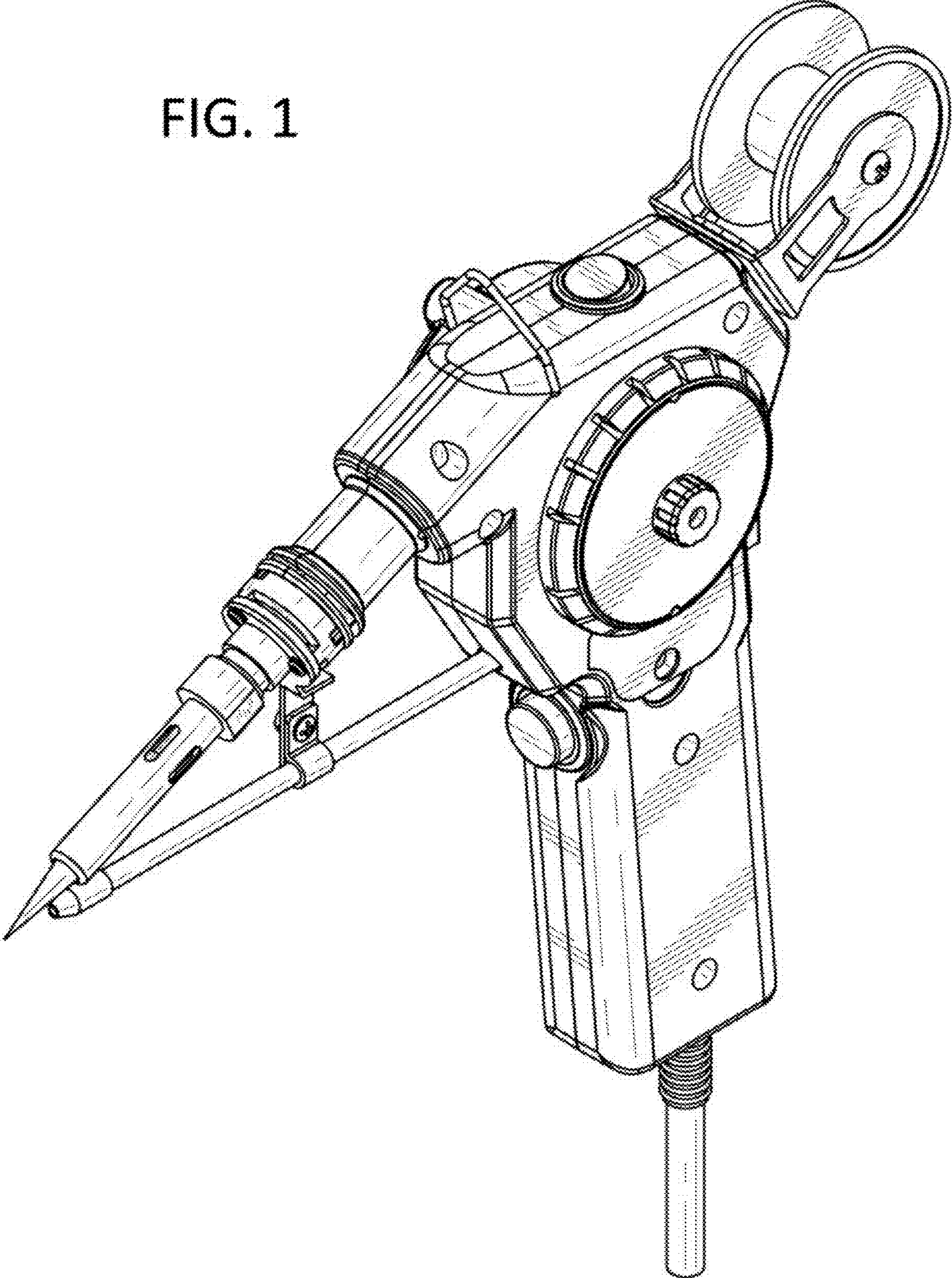


FIG. 1



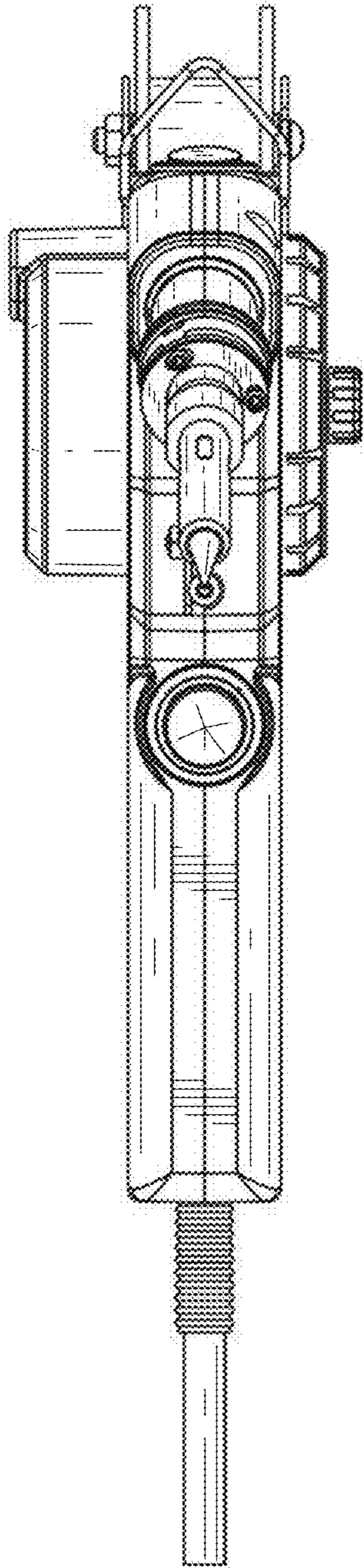


FIG. 2

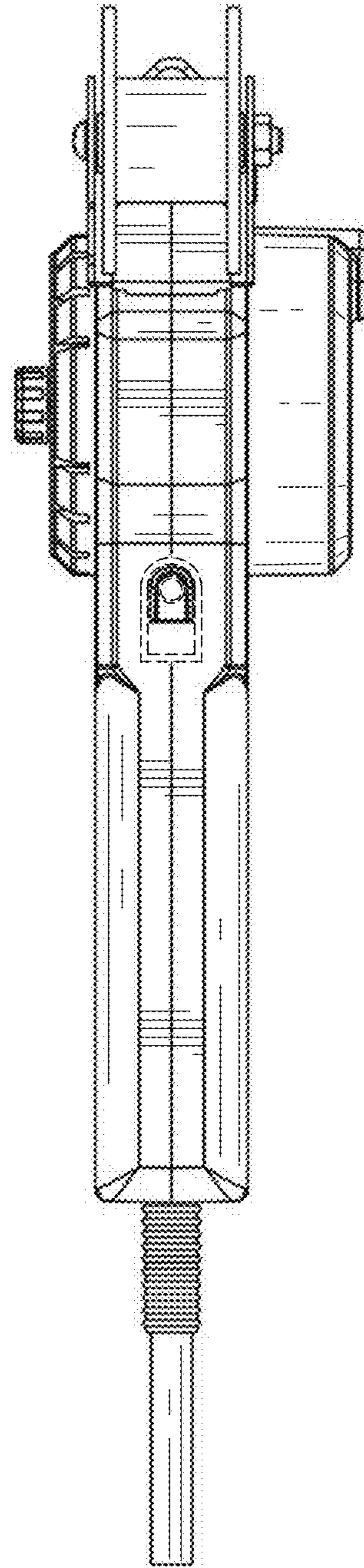


FIG. 3

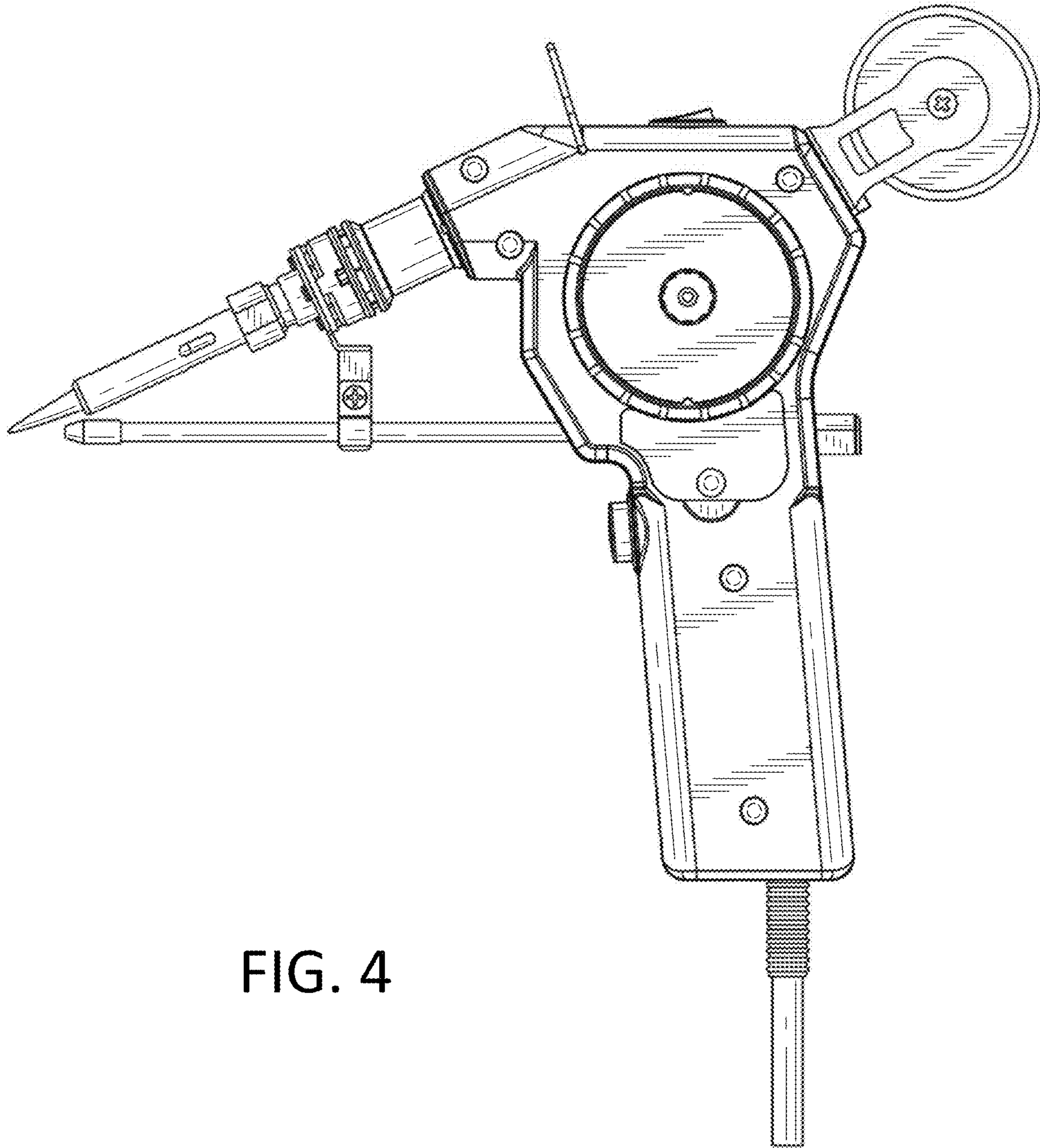


FIG. 4

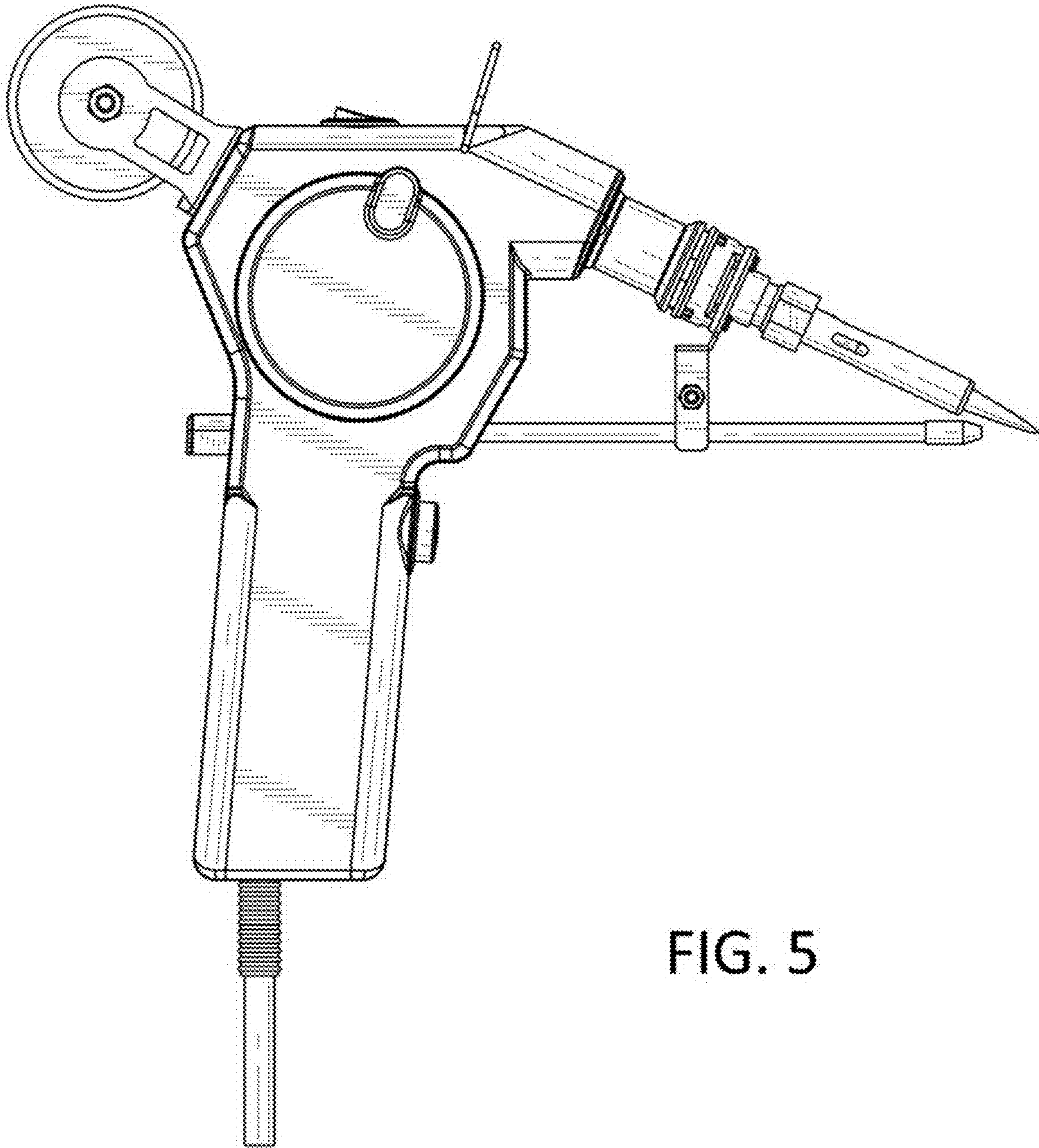


FIG. 5

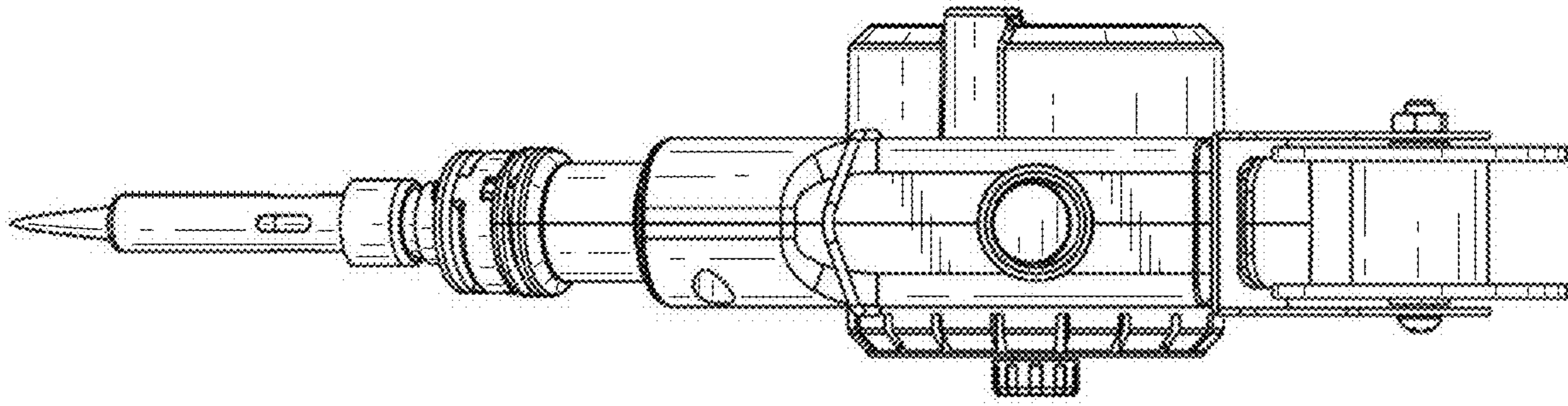


FIG. 6

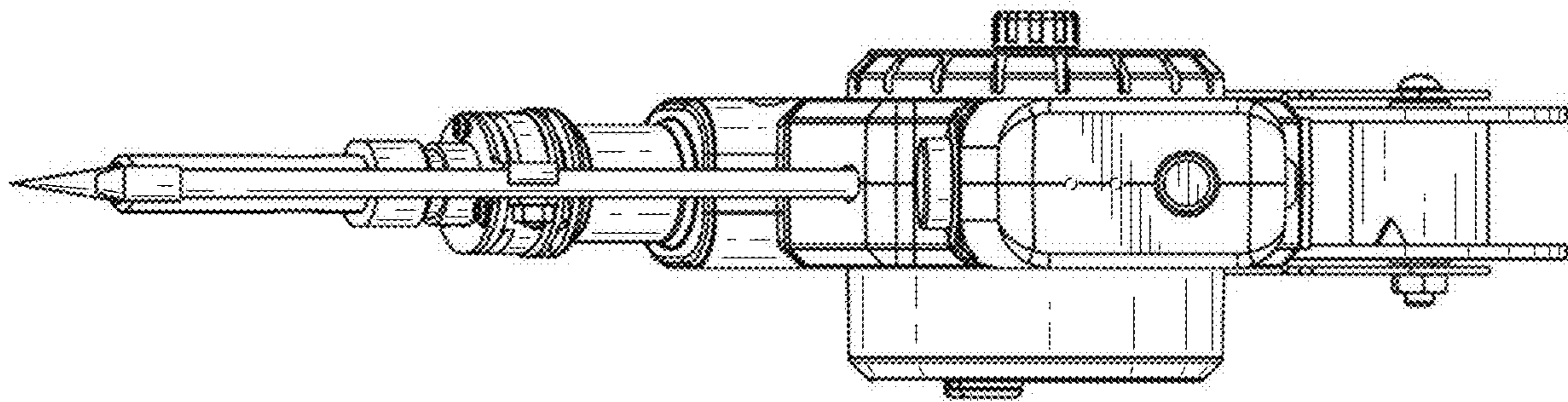
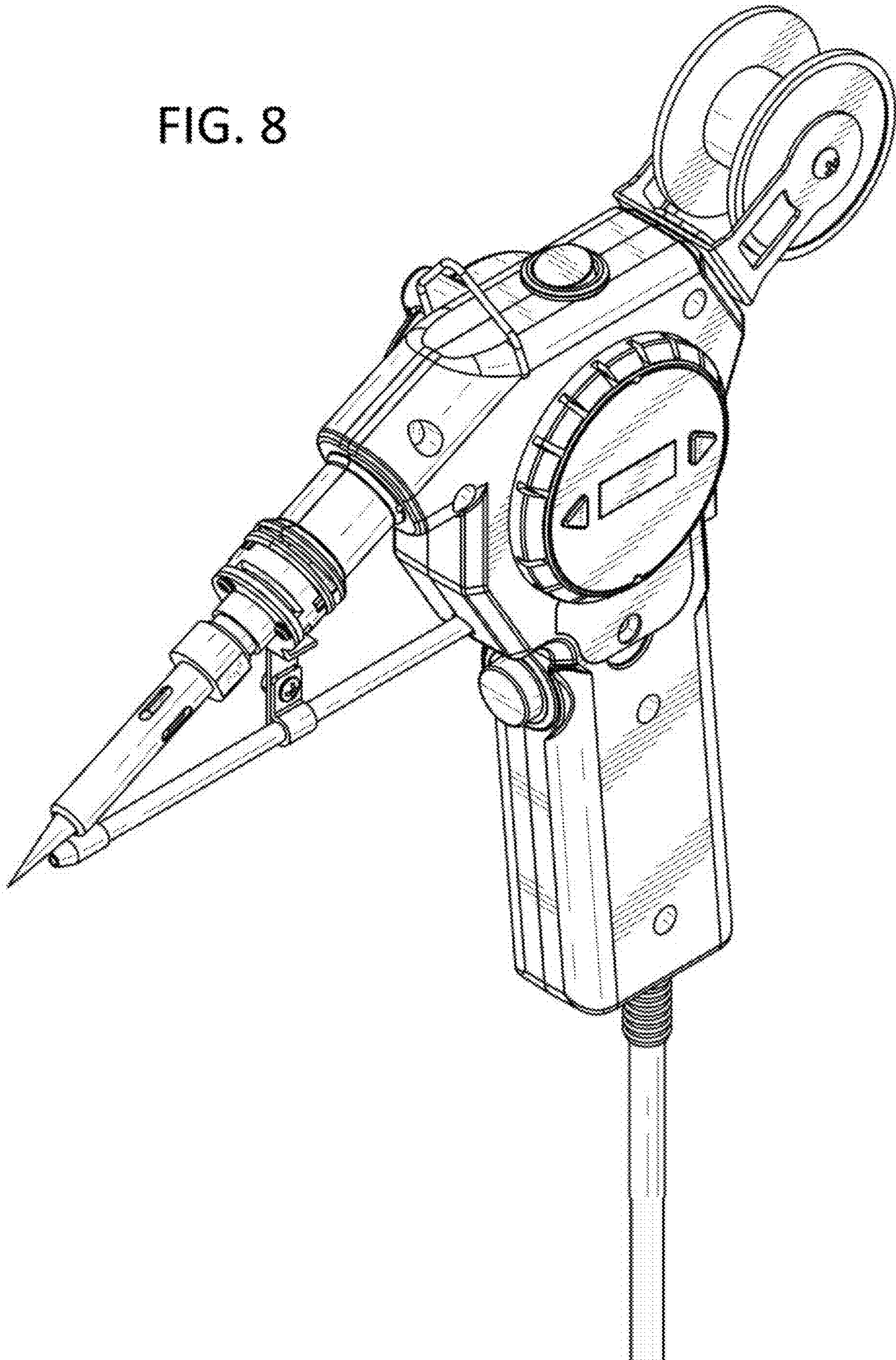


FIG. 7

FIG. 8



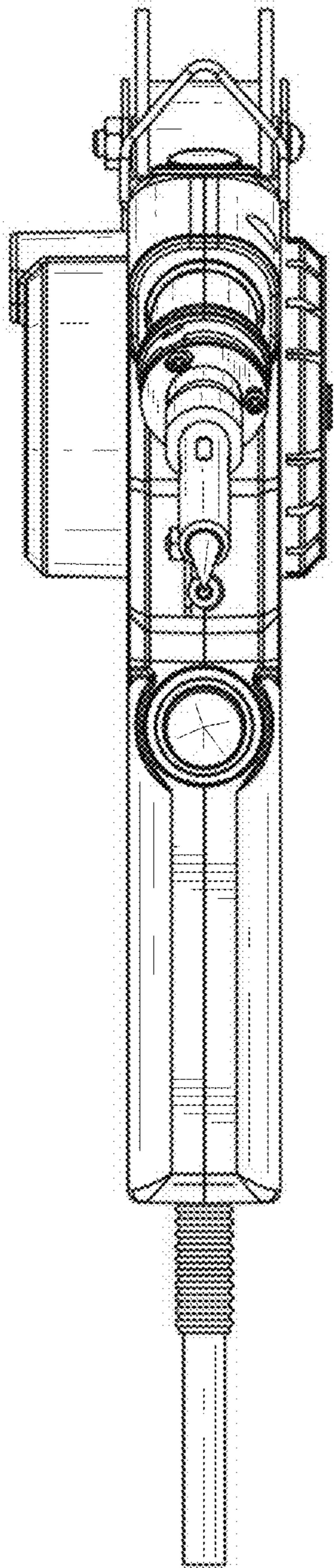


FIG. 9

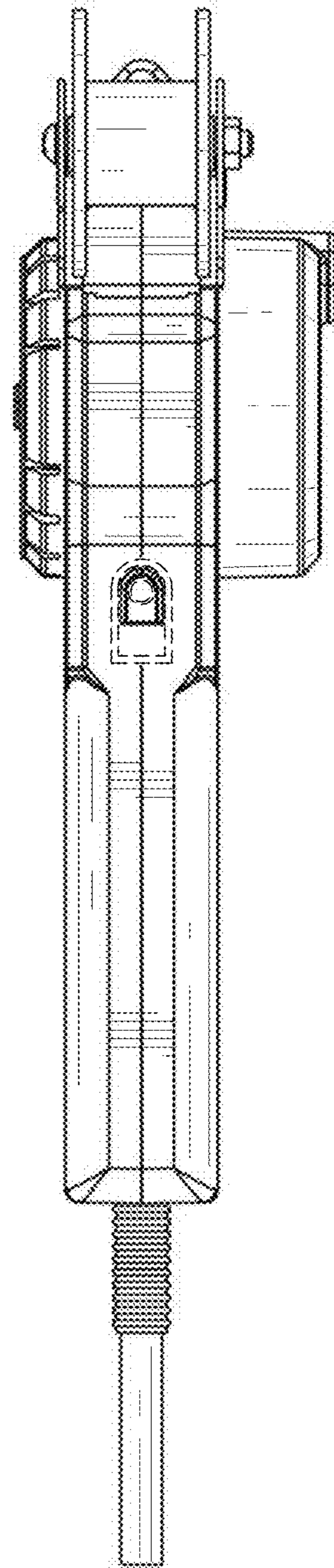


FIG. 10

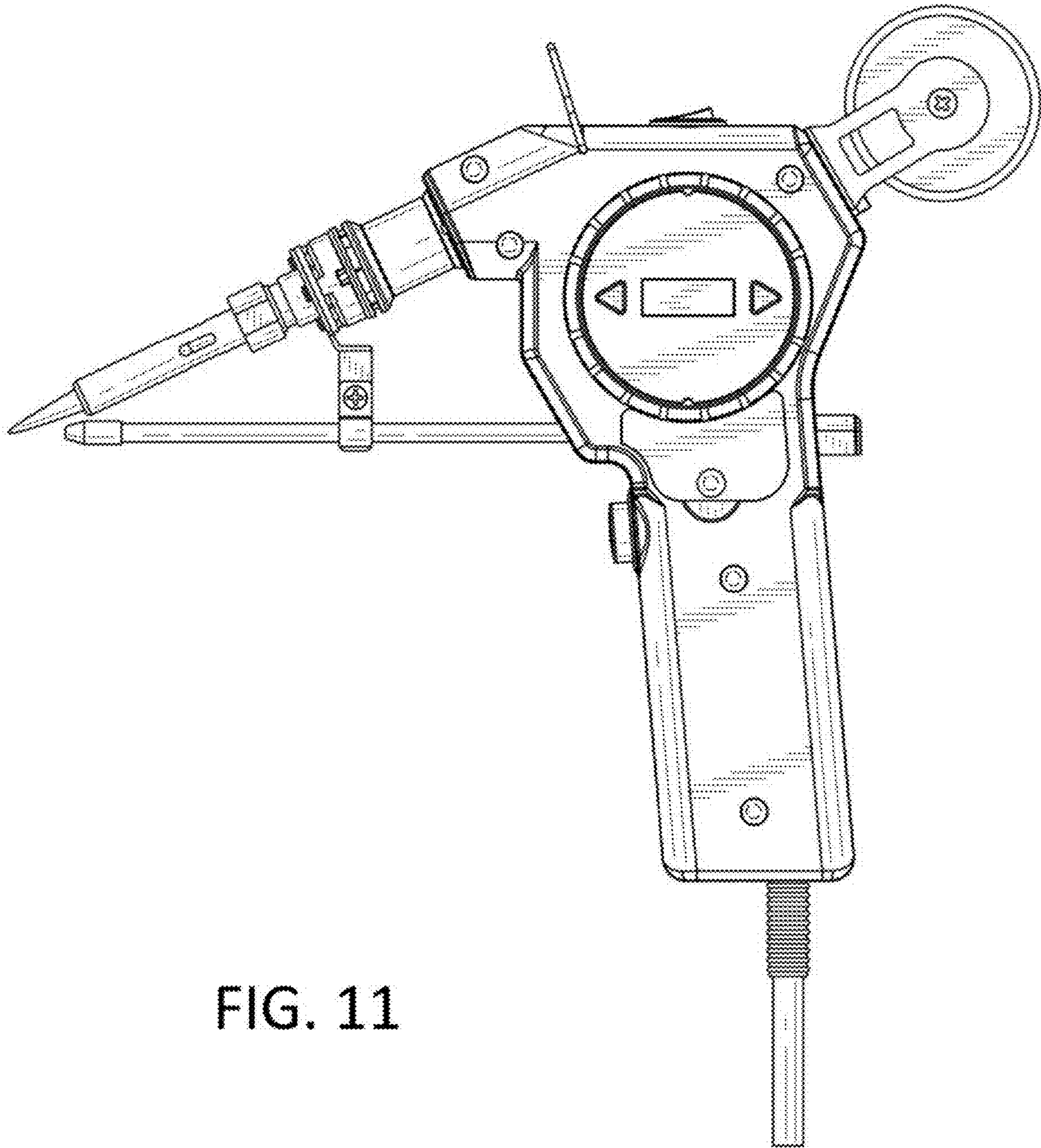


FIG. 11

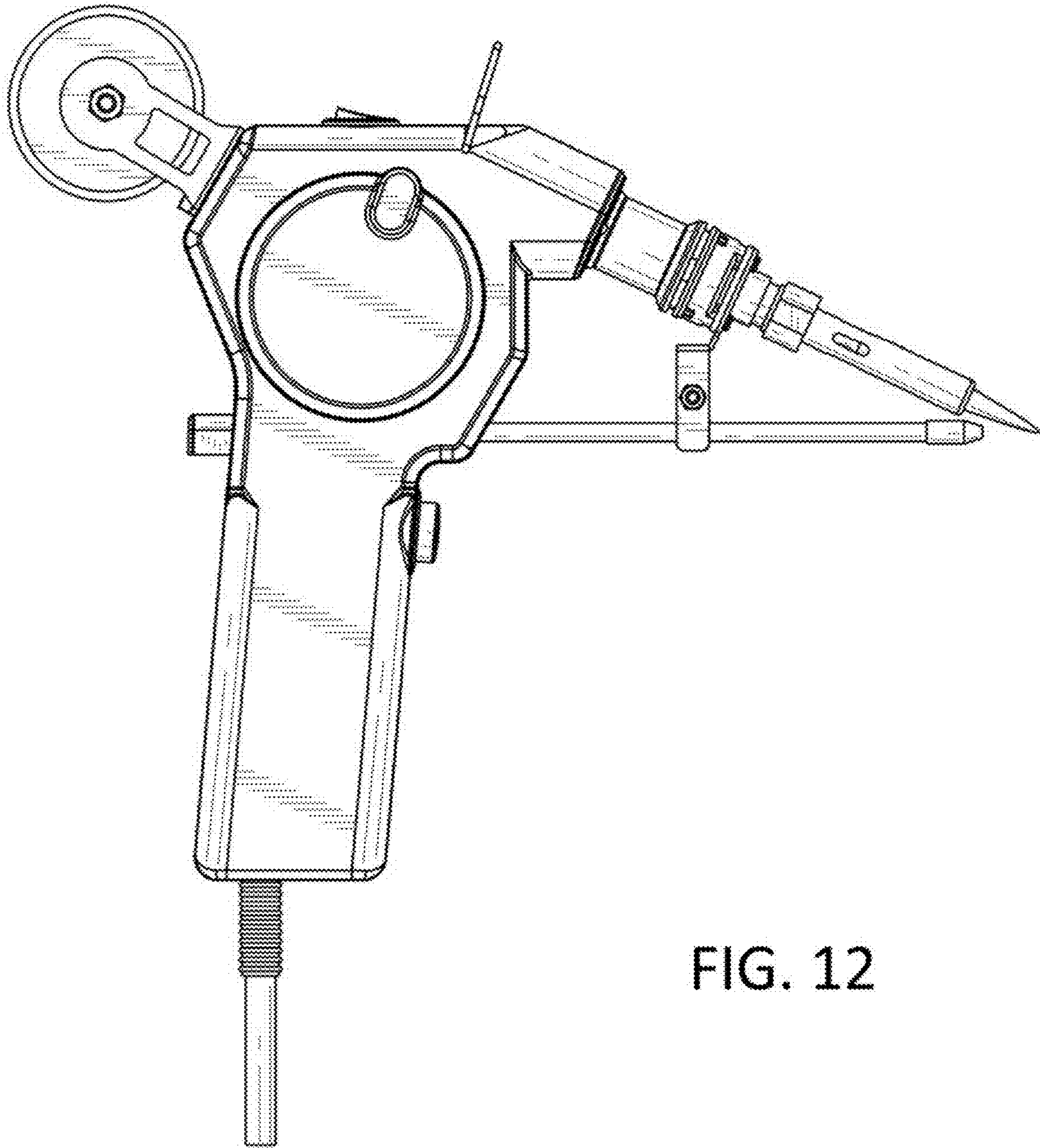


FIG. 12

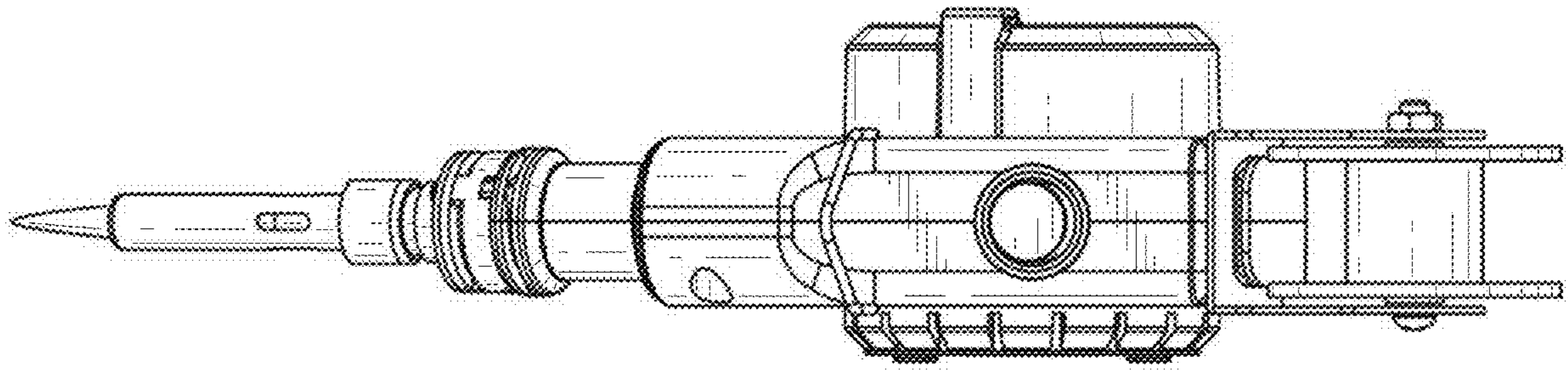


FIG. 13

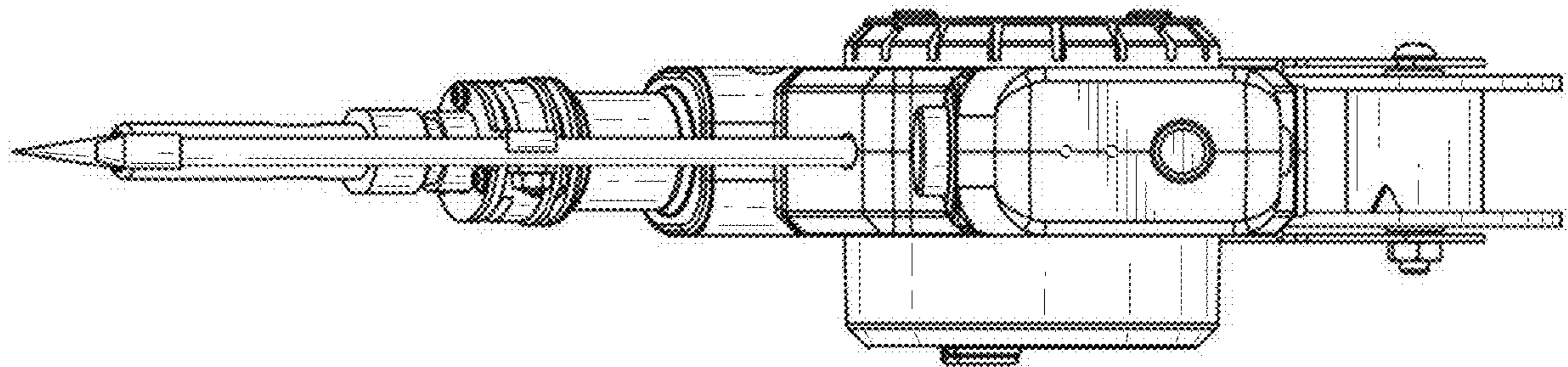


FIG. 14