



US00D888517S

(12) **United States Design Patent**  
**Talbot et al.**

(10) **Patent No.:** **US D888,517 S**  
(45) **Date of Patent:** **\*\* Jun. 30, 2020**

- (54) **BLADE FOR A SICKLE**
- (71) Applicant: **MacDon Industries Ltd.,** Winnipeg (CA)
- (72) Inventors: **Francois R. Talbot,** Winnipeg (CA); **Tyler James Maes,** La Salle (CA)
- (73) Assignee: **MacDon Industries Ltd.,** Winnipeg, MB (CA)
- (\*\*) Term: **15 Years**
- (21) Appl. No.: **29/680,852**
- (22) Filed: **Feb. 20, 2019**
- (51) **LOC (12) Cl.** ..... **08-03**
- (52) **U.S. Cl.**  
USPC ..... **D8/20**
- (58) **Field of Classification Search**  
USPC ..... D8/20, 98, 99, 100, 101, 70; D15/139  
CPC ..... B23D 49/14; B23D 51/10; B23D 61/02; B23D 61/025; B23D 61/026; B23D 61/12; B23D 61/121; B23D 61/123; B23D 61/126; B23D 61/127; B23D 61/128; B23D 61/006; B23D 61/14; B23D 61/18; B26B 5/00; B26B 9/00; B26B 9/02; A01D 34/135; A01D 34/14; A01D 34/17  
See application file for complete search history.

- (56) **References Cited**  
U.S. PATENT DOCUMENTS  
6,903 A \* 11/1849 Forbush ..... A01D 34/13 56/299  
90,593 A \* 5/1869 Simonds ..... A01D 34/14 76/89.1  
513,834 A \* 1/1894 Smith ..... A01D 34/13 56/299  
656,363 A \* 8/1900 McCoy ..... A01D 34/14 56/300

- 839,850 A \* 1/1907 Hummel ..... A01D 34/14 56/302
- 1,214,345 A \* 1/1917 Melby ..... A01D 34/14 56/300
- 1,257,191 A \* 2/1918 Crane ..... A01D 34/145 56/303
- 2,133,277 A \* 10/1938 Bennett ..... A01D 34/145 56/298
- D168,412 S \* 12/1952 Le Boeuf ..... D8/98
- 2,702,568 A \* 2/1955 Irwin ..... B23Q 11/02 83/168
- 3,015,930 A \* 1/1962 Campbell ..... A01D 1/06 56/239
- 3,212,249 A \* 10/1965 Boyer ..... A01D 34/18 56/311
- 3,401,512 A \* 9/1968 Pool ..... A01D 34/13 56/298

(Continued)

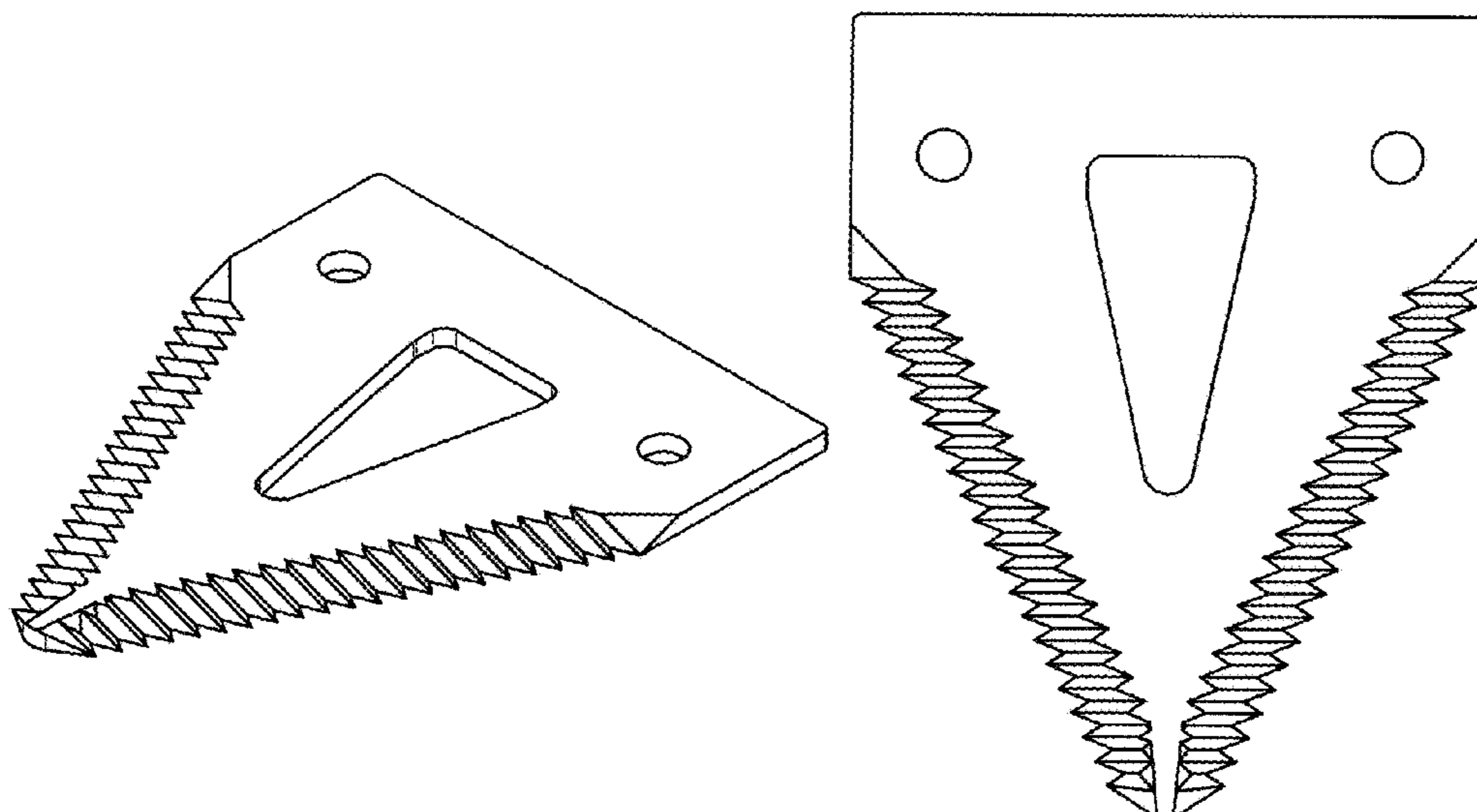
*Primary Examiner* — Elizabeth A. Albert  
(74) *Attorney, Agent, or Firm* — Adrian D. Battison; Ade & Company Inc.; Ryan W. Dupuis

(57) **CLAIM**  
The ornamental design for a blade for a sickle, as shown and described.

**DESCRIPTION**

FIG. 1 is an isometric view from the top and one side of the blade for a sickle showing the design.  
FIG. 2 is a first side elevational view of the blade for a sickle showing the design.  
FIG. 3 is a second side elevational view of the blade for a sickle showing the design.  
FIG. 4 is a front elevational view of the blade for a sickle showing the design.  
FIG. 5 is a rear elevational view of the blade for a sickle showing the design.  
FIG. 6 is a top plan view of the blade for a sickle showing the design; and,  
FIG. 7 is a bottom plan view of the blade for a sickle showing the design.

**1 Claim, 3 Drawing Sheets**



(56)

**References Cited**

U.S. PATENT DOCUMENTS

4,267,689	A *	5/1981	Schneider	.....	A01D 45/021 56/53
4,380,889	A *	4/1983	Isbell	.....	A01D 34/13 56/296
4,563,928	A *	1/1986	Salomonsson	.....	B23D 47/005 83/821
4,656,819	A *	4/1987	Pearson	.....	A01D 34/833 56/244
5,054,277	A *	10/1991	Schumacher, II	.....	A01D 34/13 56/296
6,467,246	B1 *	10/2002	McCredie	.....	A01D 34/13 56/296
6,857,255	B1 *	2/2005	Wilkey	.....	A01D 34/13 56/296
7,055,248	B2 *	6/2006	Cote	.....	A61B 17/3213 30/337
7,313,903	B2 *	1/2008	Schumacher	.....	A01D 34/16 56/304
7,328,565	B2 *	2/2008	Snider	.....	A01D 34/135 56/298
8,893,462	B2 *	11/2014	Talbot	.....	A01D 34/18 56/298
D729,599	S *	5/2015	Talbot	.....	D8/20
D739,693	S *	9/2015	Cooper	.....	D8/11
10,104,821	B2 *	10/2018	Kindred	.....	A01B 1/08
10,368,484	B2 *	8/2019	Talbot	.....	A01D 34/18
2010/0050587	A1 *	3/2010	Stoffel	.....	A01D 34/14 56/300
2013/0305682	A1 *	11/2013	Talbot	.....	A01D 34/13 56/257
2014/0069249	A1 *	3/2014	Collins	.....	B26D 1/45 83/651
2014/0182259	A1 *	7/2014	Talbot	.....	A01D 34/17 56/298

\* cited by examiner

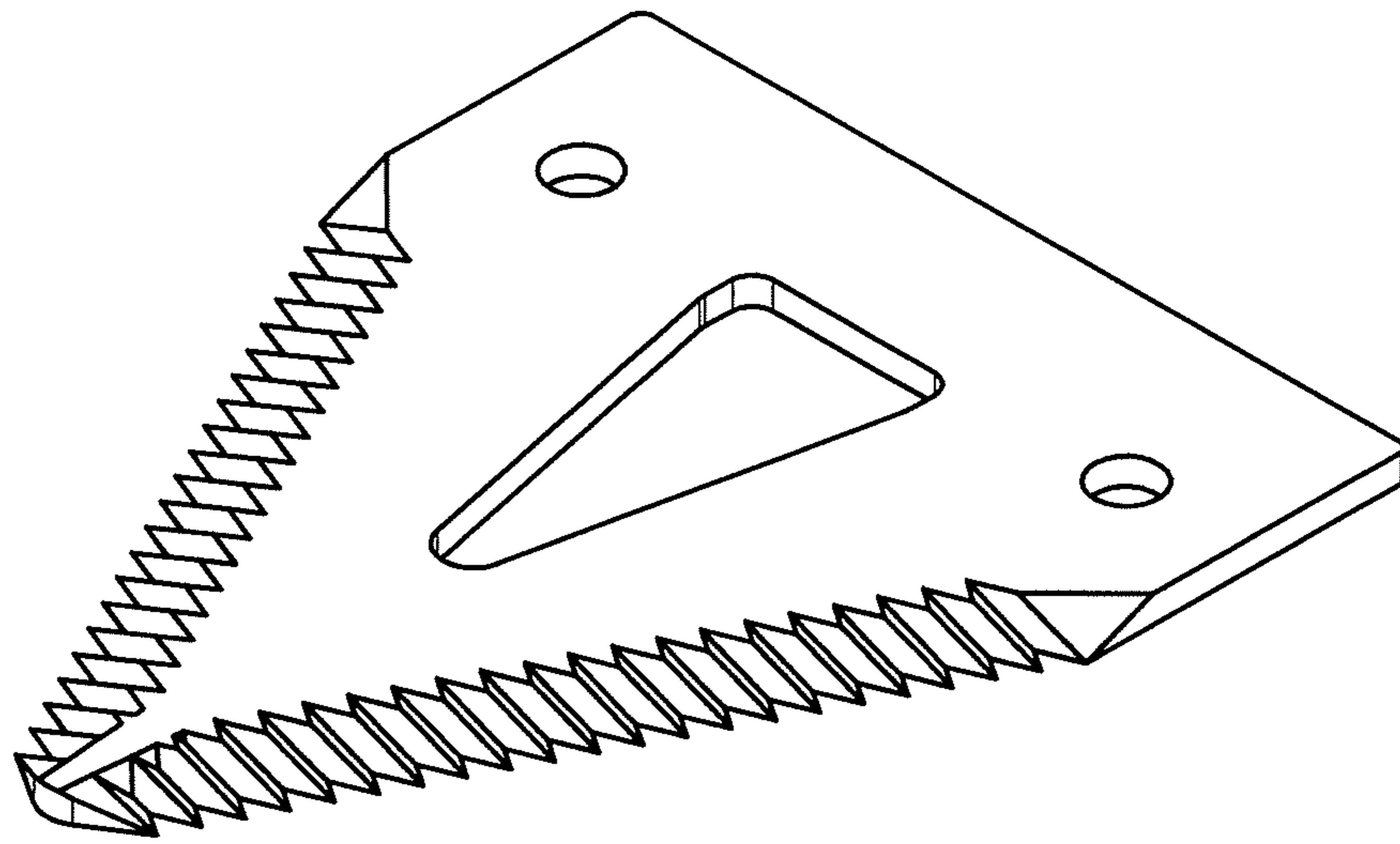


FIG. 1

FIG. 6

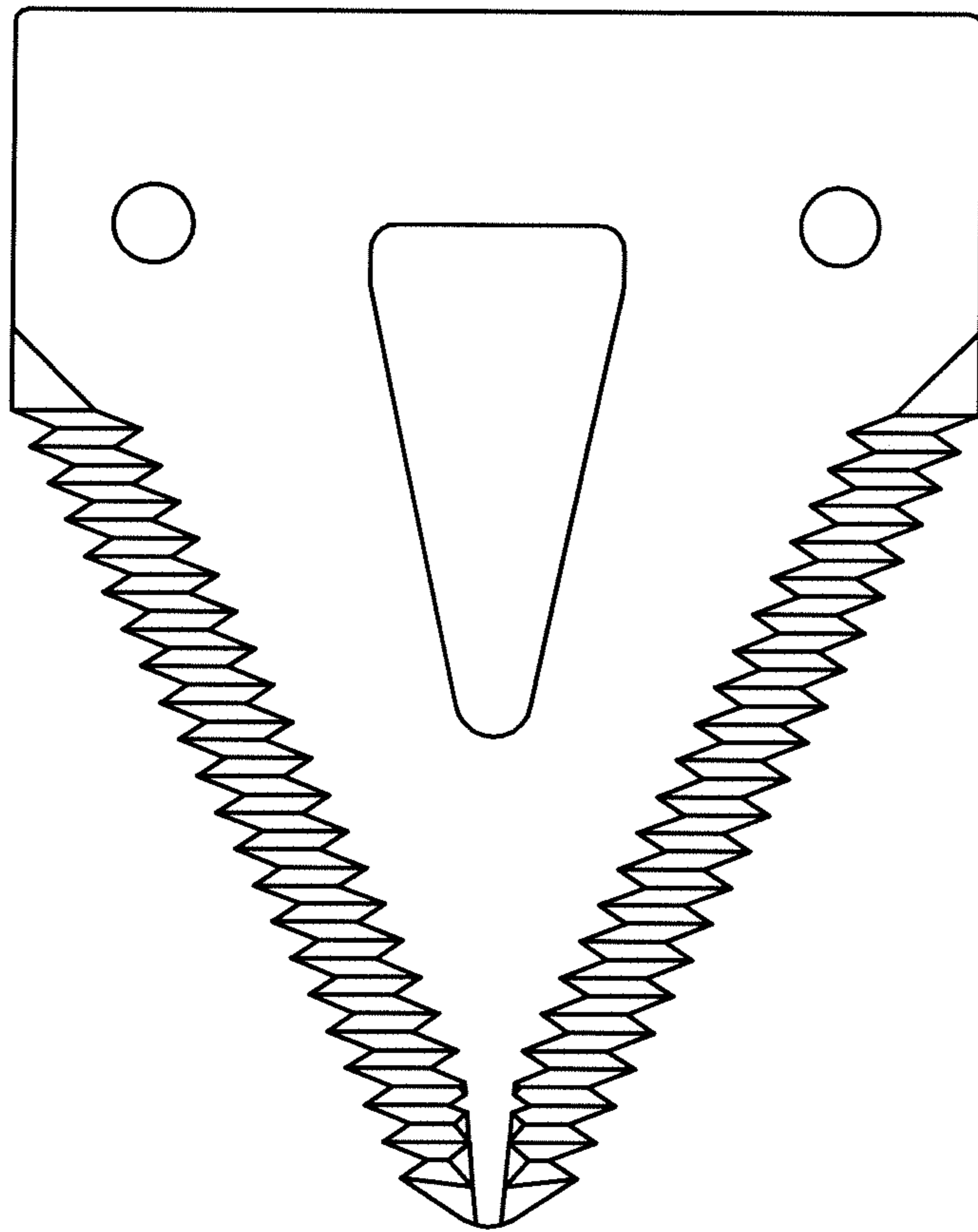


FIG. 4



FIG. 2

FIG. 5

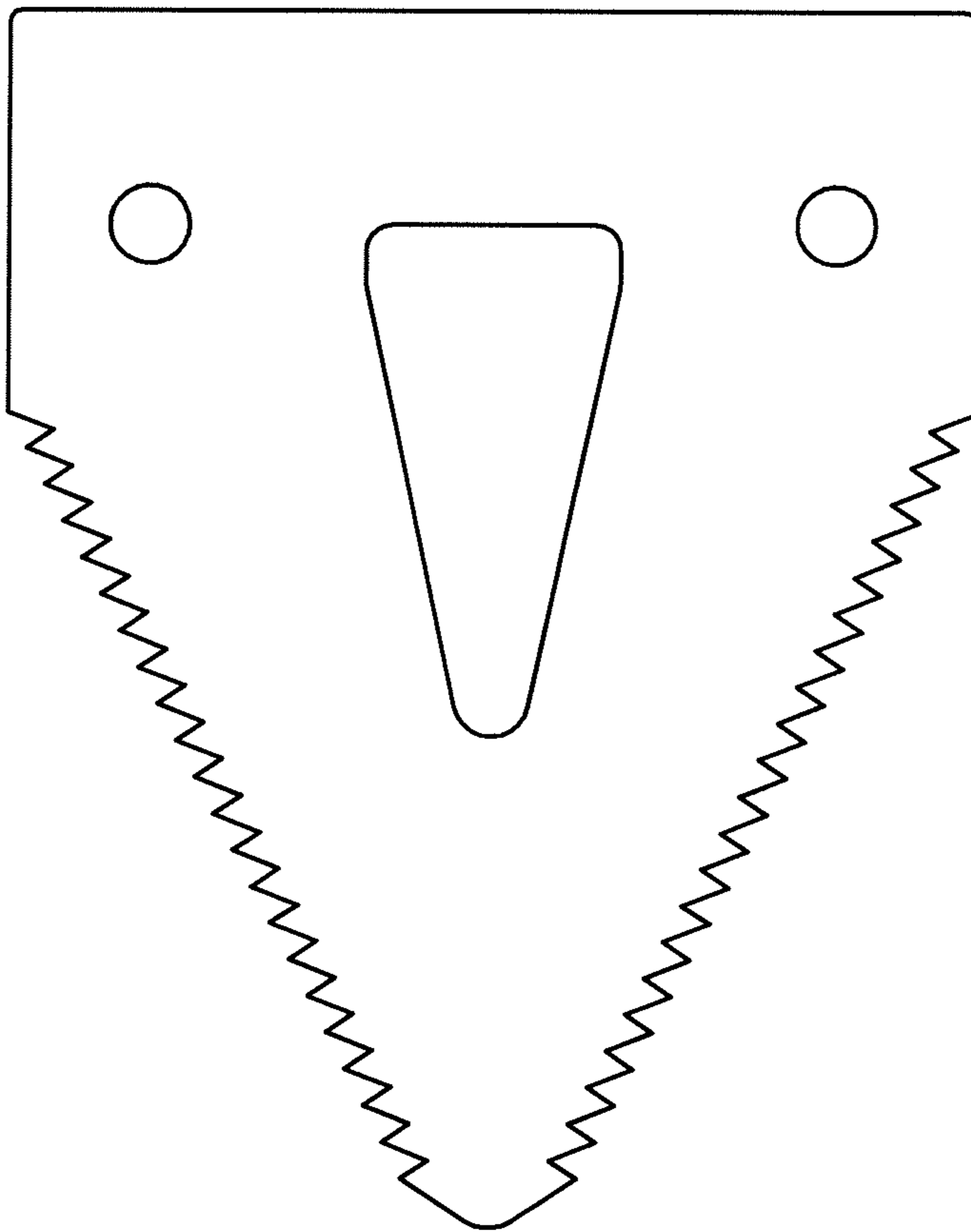


FIG. 7



FIG. 3