



US00D888516S

(12) **United States Design Patent**
Stottlemeyer, Jr.

(10) **Patent No.:** **US D888,516 S**

(45) **Date of Patent:** **** Jun. 30, 2020**

(54) **DECOUPLER TOOL**

(71) Applicant: **Big Woods Rescue Products, LLC,**
Poolesville, MD (US)

(72) Inventor: **Walter U. Stottlemeyer, Jr.,** Poolesville,
MD (US)

(73) Assignee: **Big Woods Rescue Products, LLC,**
Poolesville, MD (US)

(**) Term: **15 Years**

(21) Appl. No.: **29/670,558**

(22) Filed: **Nov. 16, 2018**

5,000,405 A	3/1991	Rybak et al.	
5,273,253 A *	12/1993	Rogers	A62C 33/04
			24/543
5,428,853 A *	7/1995	Menke	A62B 3/005
			7/138
5,515,593 A	5/1996	Eagler	
6,308,355 B1 *	10/2001	McMillan	A62B 3/005
			7/142
6,378,909 B1 *	4/2002	Rogers, Jr.	B25B 27/10
			285/1
7,497,405 B2	3/2009	Huo	
D599,502 S *	9/2009	Mack	D29/124
7,874,034 B1	1/2011	Mack et al.	
D738,704 S *	9/2015	Watson	D8/349
D751,874 S *	3/2016	Hills	D8/105
9,518,690 B2	12/2016	Belisle	
9,895,562 B2	2/2018	Richardson	

(Continued)

Related U.S. Application Data

(63) Continuation-in-part of application No. 29/647,745,
filed on May 15, 2018.

(51) **LOC (12) Cl.** **08-05**

(52) **U.S. Cl.**
USPC **D8/14**

(58) **Field of Classification Search**
USPC D8/14, 21, 349, 354, 356
CPC B25B 13/462; B25B 13/02; B25B 13/48;
A62B 3/005
See application file for complete search history.

(56) **References Cited**

U.S. PATENT DOCUMENTS

2,338,674 A *	1/1944	Smith	B25B 27/10
			294/103.1
2,360,163 A *	10/1944	Sadler	A62C 33/00
			81/176.1
2,798,393 A	7/1957	Currin	
4,236,733 A	12/1980	Zambrano	
D258,636 S *	3/1981	Boyko	81/176.1
4,646,378 A *	3/1987	Borden	A62B 3/005
			7/138
4,648,630 A	3/1987	Bruch	
4,856,834 A	8/1989	Lancaster et al.	

OTHER PUBLICATIONS

<https://firehosedirect.com/store>, Spanner Wrench.

Primary Examiner — Philip S Hyder
(74) *Attorney, Agent, or Firm* — Breiner & Breiner,
L.L.C.

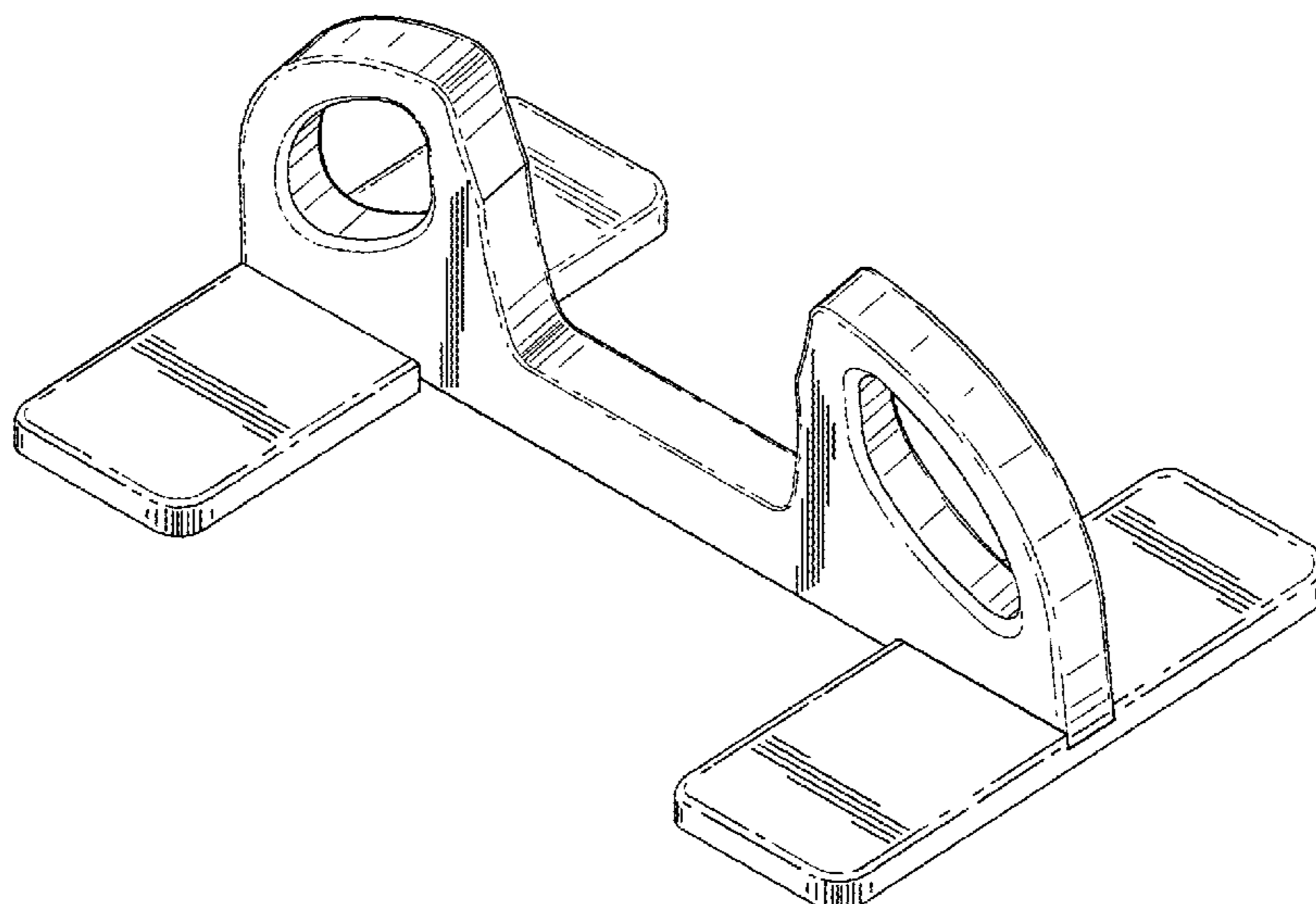
(57) **CLAIM**

The ornamental design for a decoupler tool, as shown and described.

DESCRIPTION

FIG. 1 is a perspective view of the decoupler tool;
FIG. 2 is a side view of the decoupler tool;
FIG. 3 is an end view of the decoupler tool;
FIG. 4 is a top view of the decoupler tool;
FIG. 5 is a bottom view of the decoupler tool; and,
FIG. 6 is a view of the decoupler tool in an environment of use.
The broken lines in the drawings form no part of the invention.

1 Claim, 4 Drawing Sheets



(56)

References Cited

U.S. PATENT DOCUMENTS

D839,082 S * 1/2019 Heine D8/354
2009/0211034 A1 8/2009 Lionel

* cited by examiner

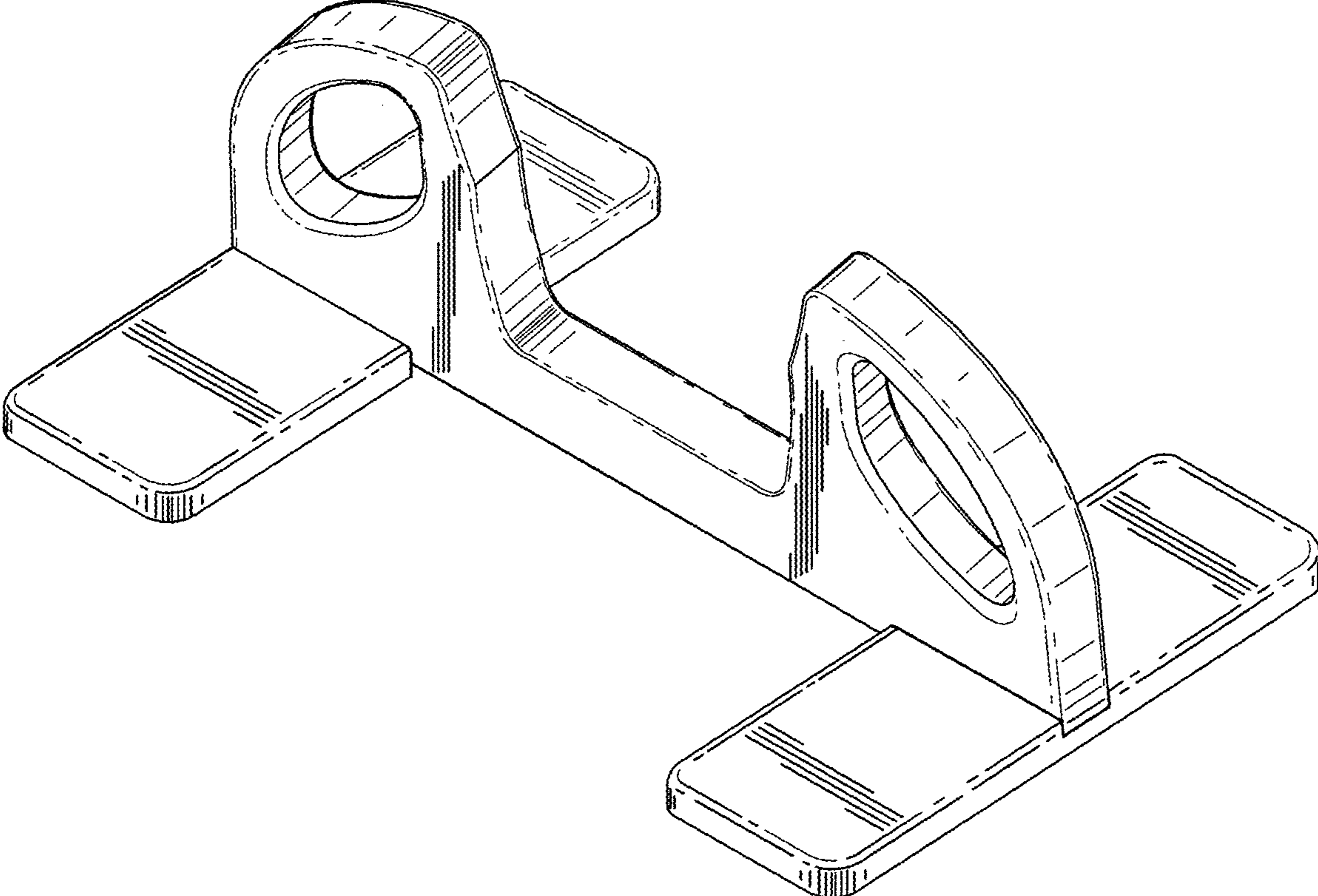


FIG. 1

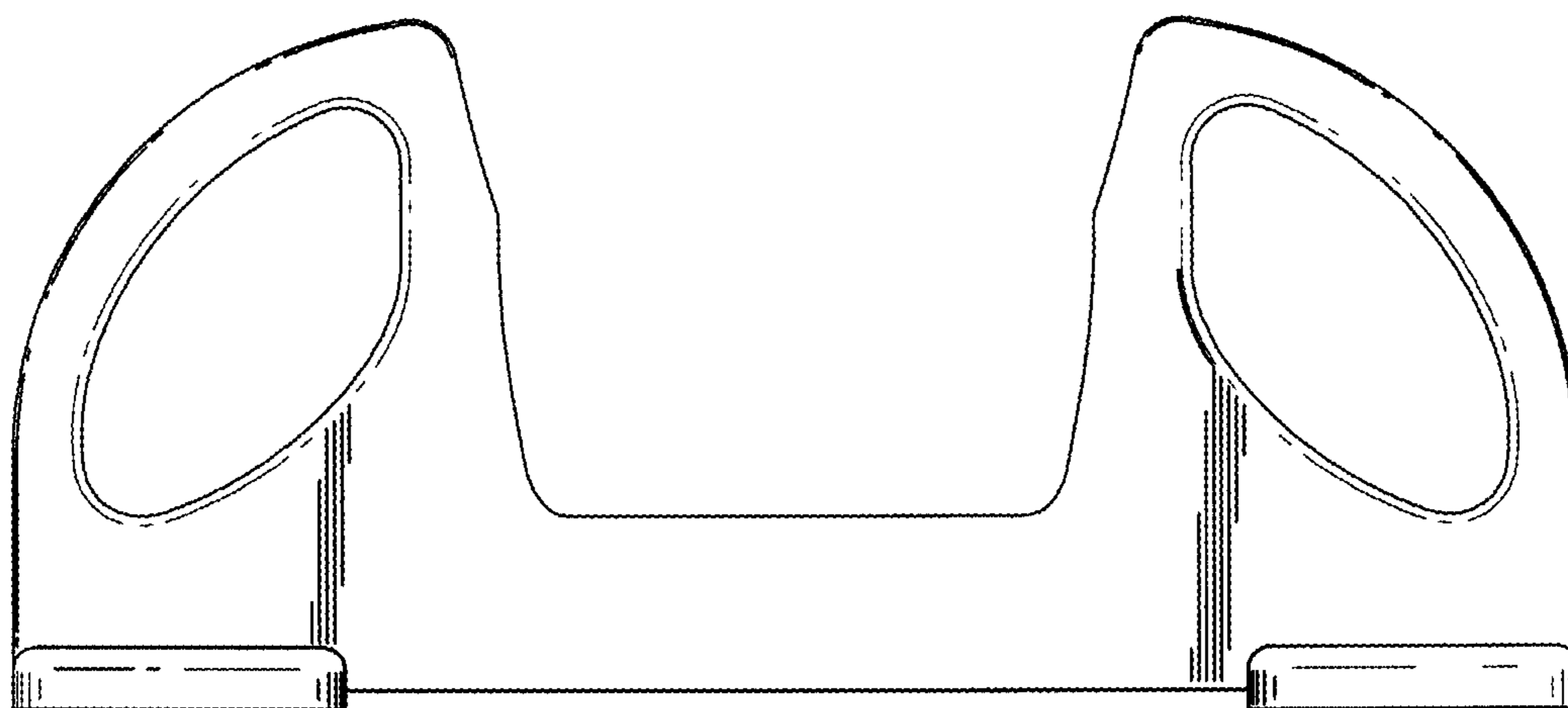


FIG. 2

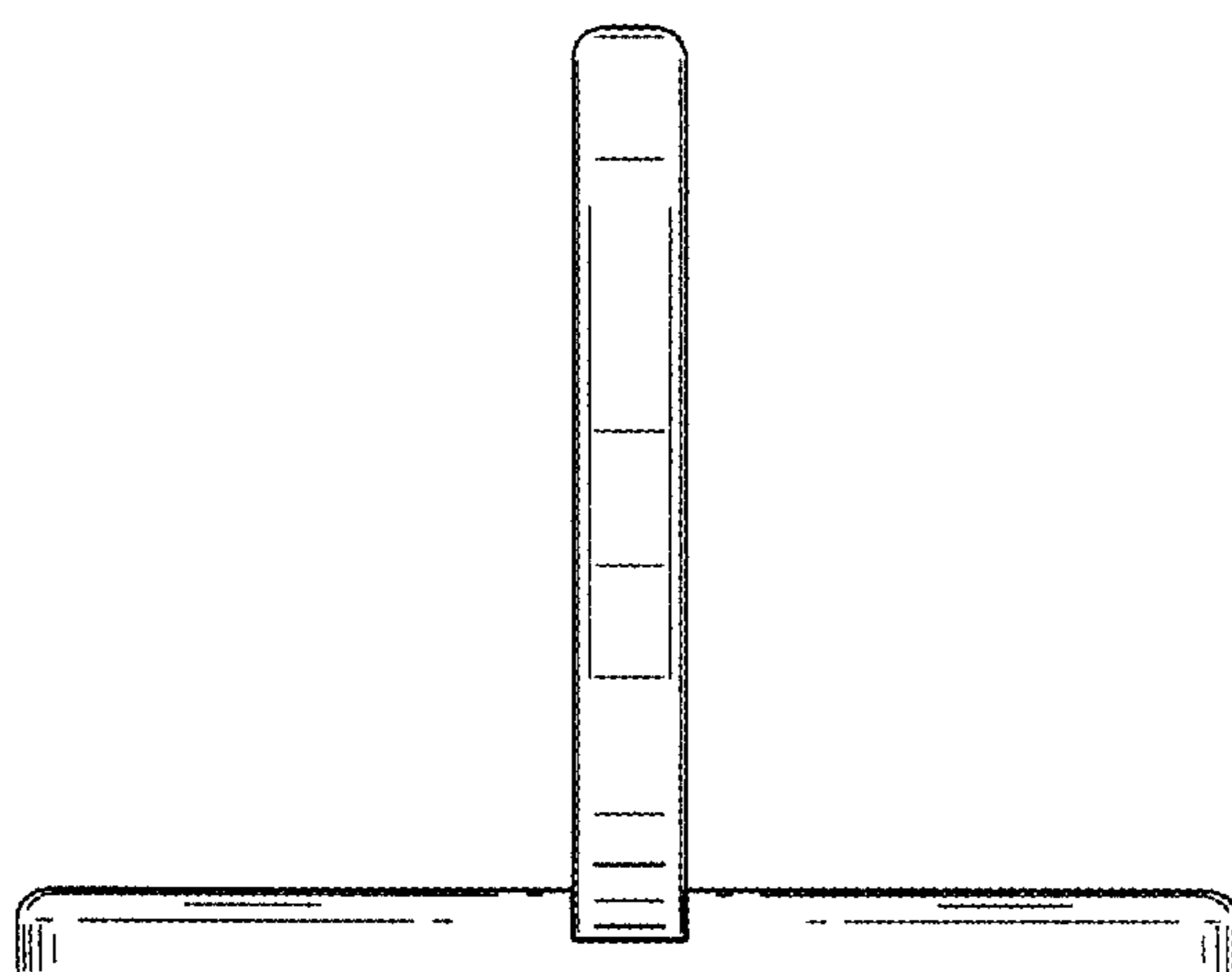


FIG. 3

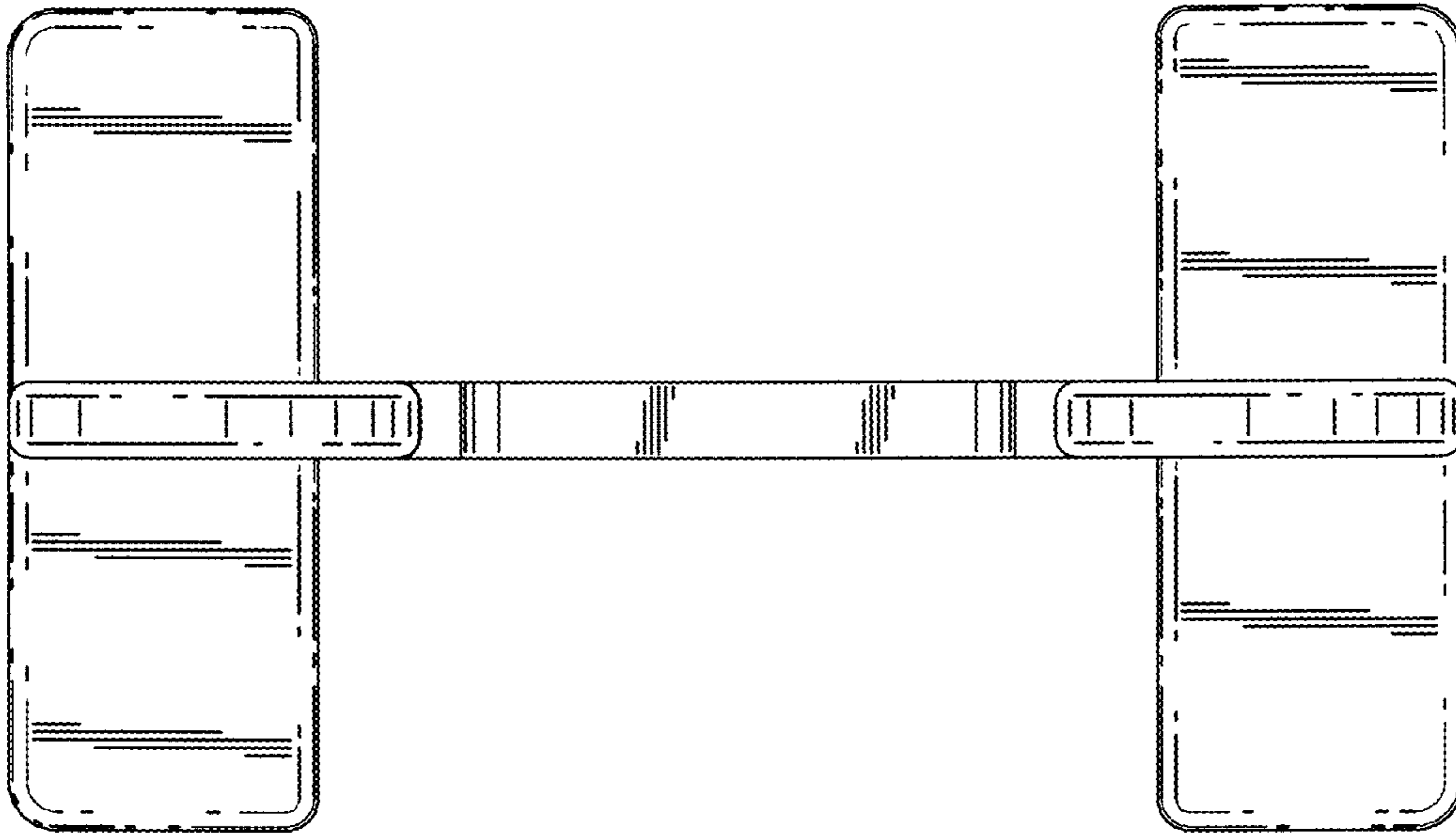


FIG. 4

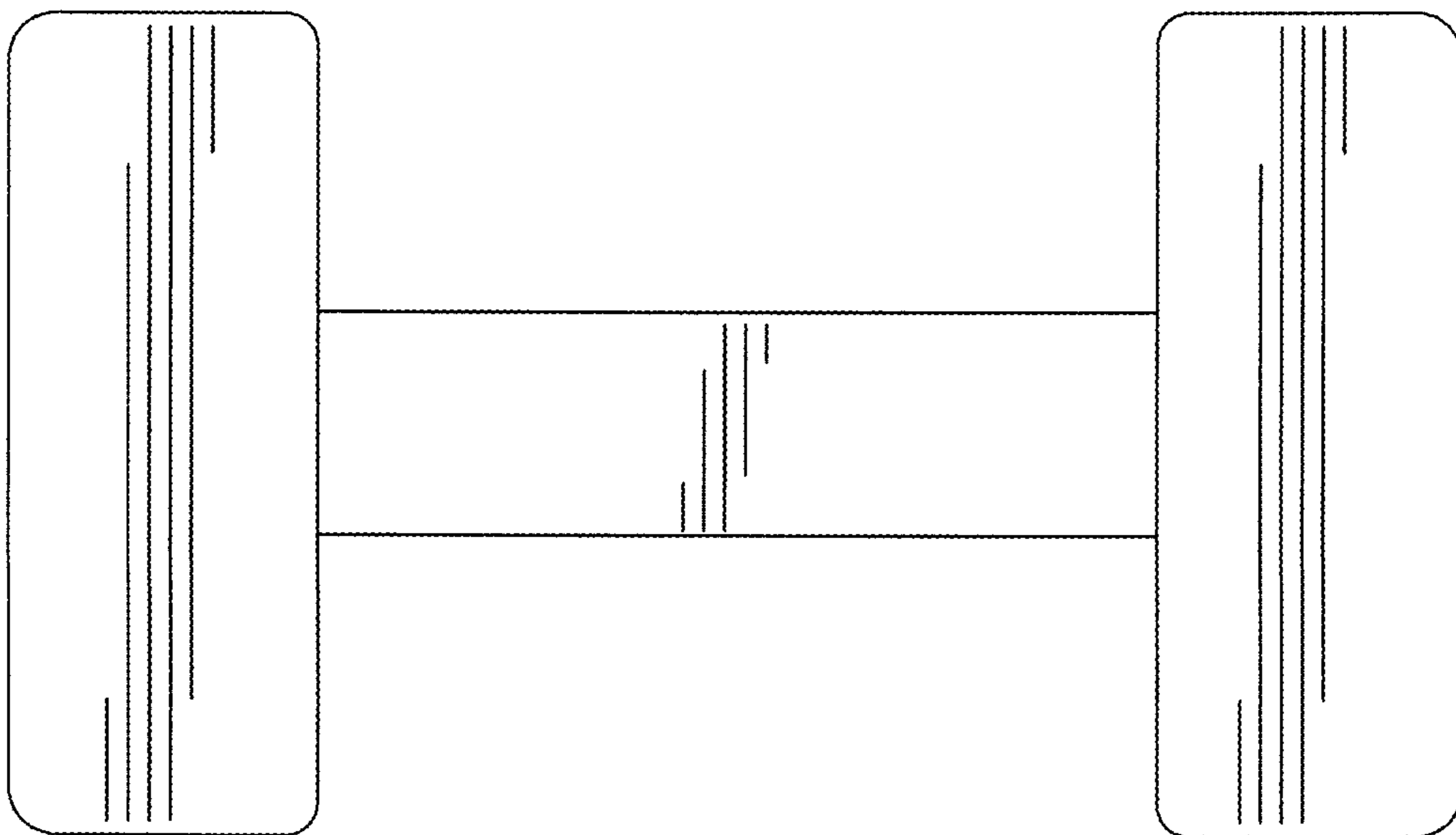


FIG. 5

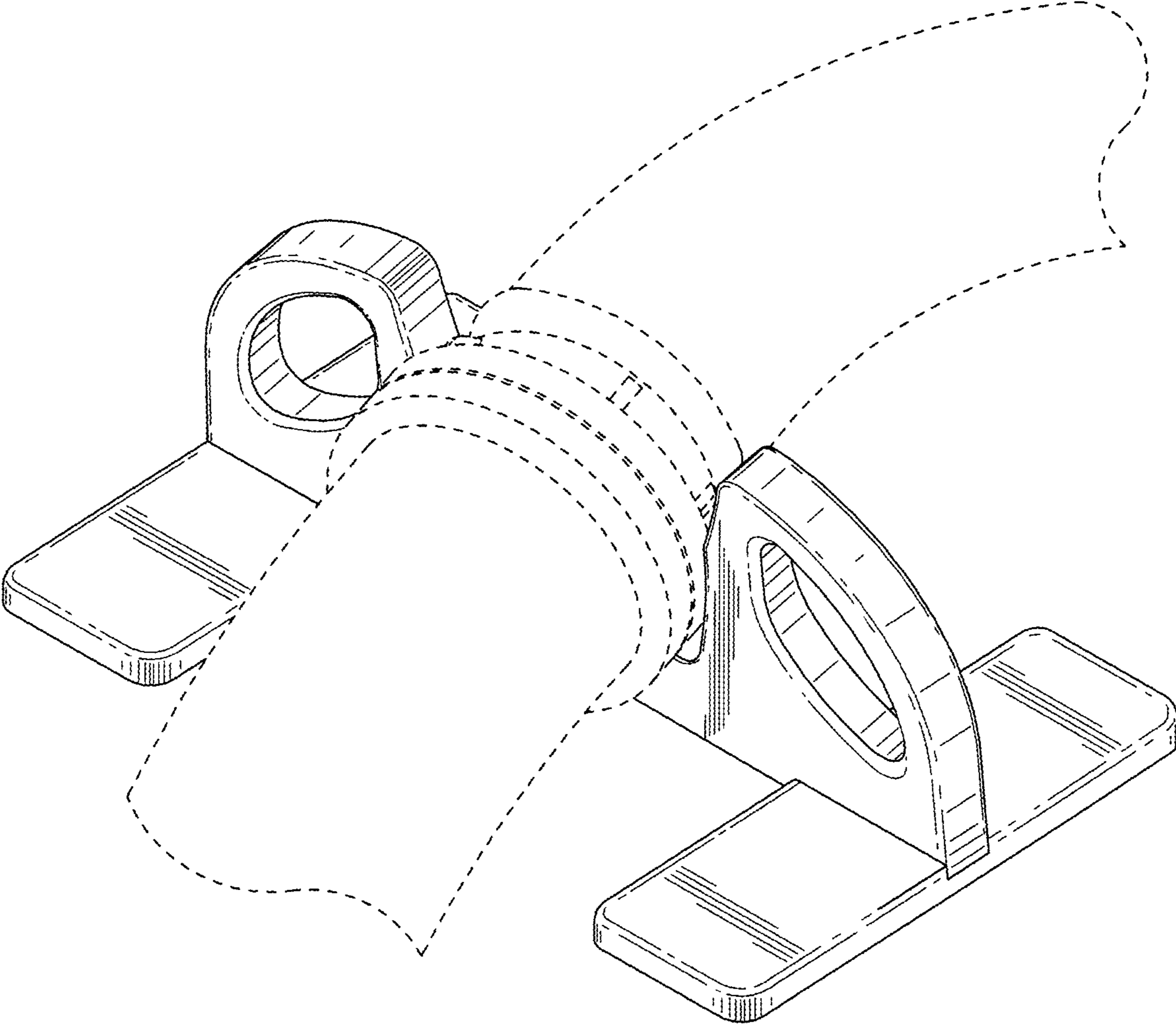


FIG. 6