



US00D888515S

(12) **United States Design Patent** (10) **Patent No.:** **US D888,515 S**
Geller et al. (45) **Date of Patent:** **** Jun. 30, 2020**

(54) DOUBLE SIDED DRIPPER	2013/0248616 A1* 9/2013 Ensworth A01G 25/026 239/11
(71) Applicant: METZERPLAS COOPERATIVE AGRICULTURAL ORGANIZATION LTD., Kibbutz Metzer (IL)	2014/0246520 A1* 9/2014 Einav B05B 1/202 239/542
(72) Inventors: Alexander Geller, Haifa (IL); Yitzhak Rotem, Kibbutz Metzer (IL)	2015/0041563 A1* 2/2015 Ensworth A01G 25/023 239/542
(73) Assignee: METZERPLAS COOPERATIVE AGRICULTURAL ORG. LTD., Kibbutz Metzer (IL)	2015/0041564 A1* 2/2015 Ensworth A01G 25/023 239/542
	2015/0201568 A1* 7/2015 Einav A01G 25/023 239/542
	2016/0219802 A1* 8/2016 Ensworth A01G 25/023
	2016/0219803 A1* 8/2016 Keren B05B 1/205
	2016/0286741 A1* 10/2016 Kidachi A01G 25/023
	2018/0213732 A1* 8/2018 Ensworth A01G 25/023

(**) Term: **15 Years**

FOREIGN PATENT DOCUMENTS

(21) Appl. No.: **29/660,371**

CN 305011333 * 1/2019

(22) Filed: **Aug. 21, 2018**

* cited by examiner

(30) **Foreign Application Priority Data**

Mar. 8, 2018 (IL) 61760

(51) **LOC (12) Cl.** **08-01**

(52) **U.S. Cl.**
USPC **D8/1**

(58) **Field of Classification Search**
USPC D8/1; D23/266, 214, 249
CPC A01G 25/023; A01G 25/026; A01G 25/02;
A01G 27/06; Y02A 40/237
See application file for complete search history.

(56) **References Cited**

U.S. PATENT DOCUMENTS

5,591,293 A *	1/1997	Miller	A01G 25/02 156/244.13
D657,638 S *	4/2012	Einav	D8/1
D781,115 S *	3/2017	Einav	D8/1
D811,179 S *	2/2018	Ensworth	D8/1
D826,662 S *	8/2018	Ensworth	D8/1
2010/0155508 A1*	6/2010	Keren	A01G 25/023 239/542
2012/0126036 A1*	5/2012	Patel	A01G 25/023 239/553

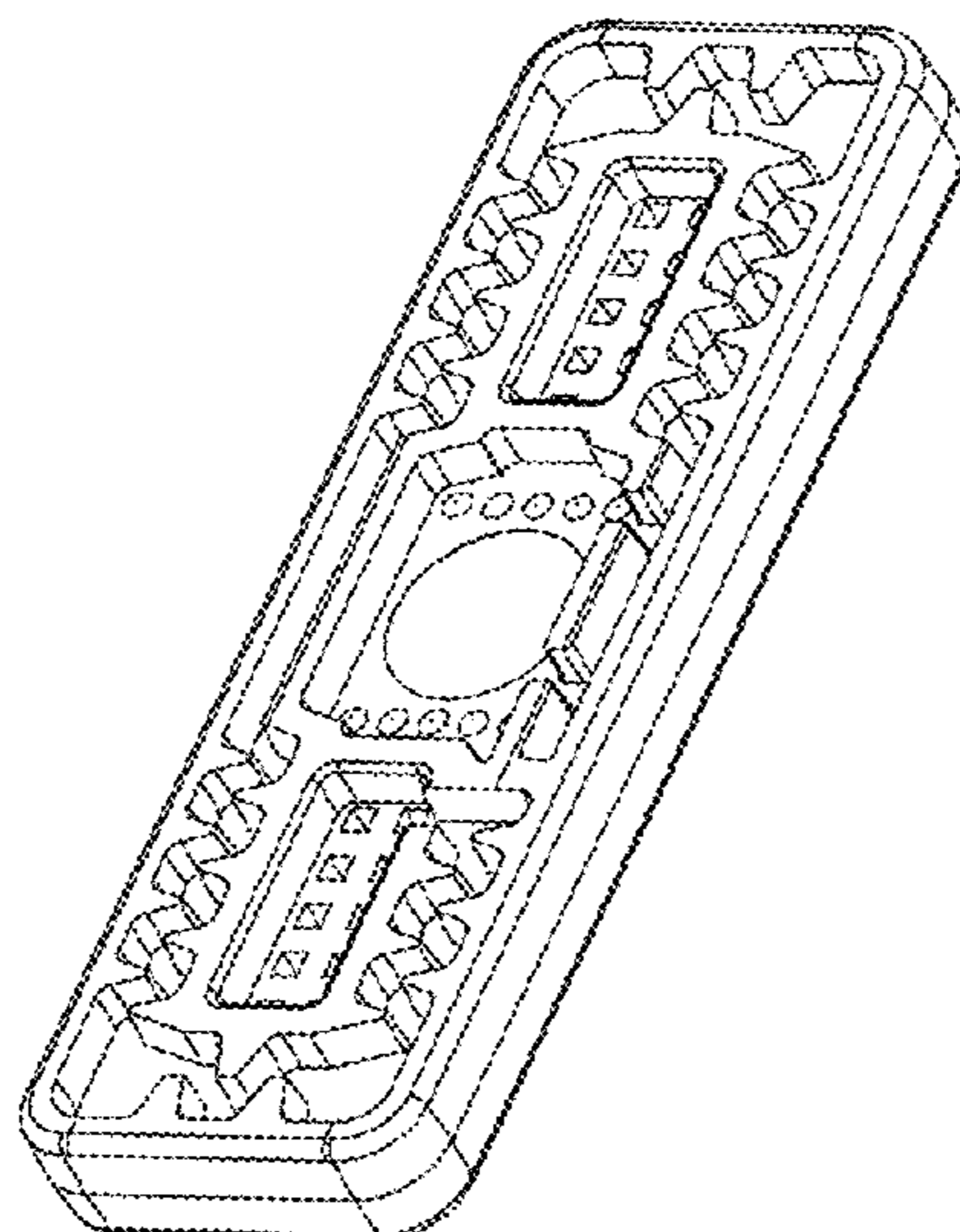
(57) **CLAIM**

The ornamental design for a double sided dripper, as shown and described.

DESCRIPTION

FIG. 1 is a front view of a double sided dripper of the applicant's design;
FIG. 2 is a rear view of FIG. 1;
FIG. 3 is a top view of FIG. 1. The bottom view being identical thereof;
FIG. 4 is a left view of FIG. 1. The right view being identical thereof;
FIG. 5 is a perspective view of the front, bottom and right side of FIG. 1; and,
FIG. 6 is a perspective view of the rear, bottom and right side of FIG. 1.

1 Claim, 6 Drawing Sheets



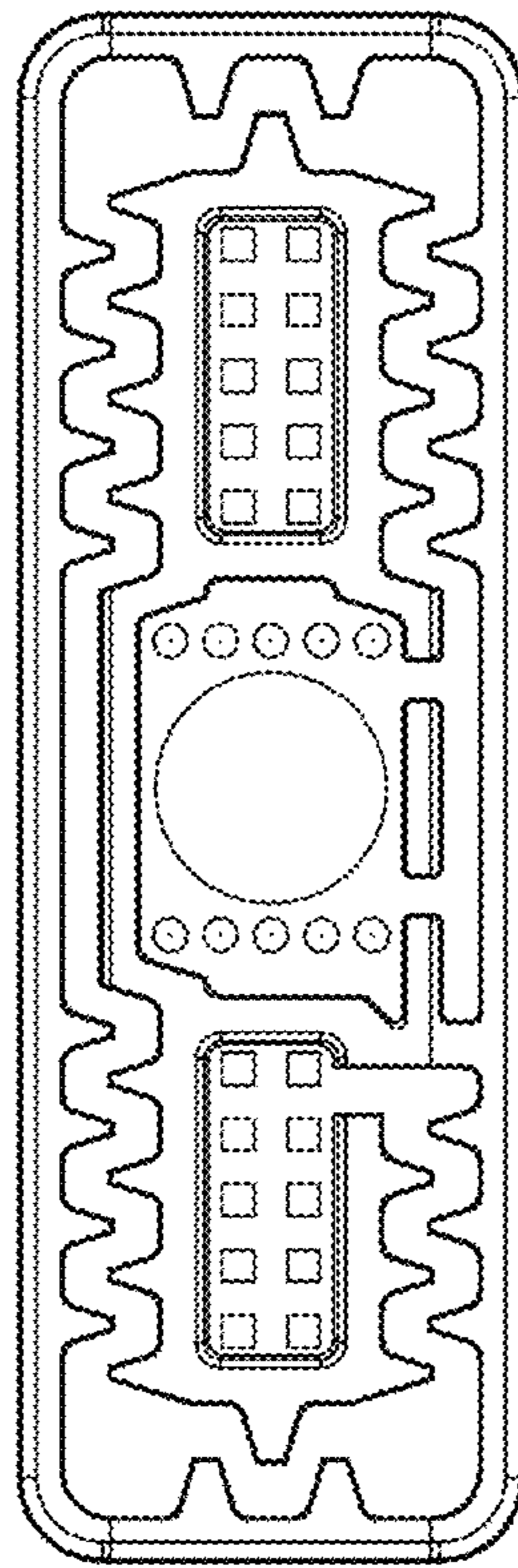


FIGURE 1

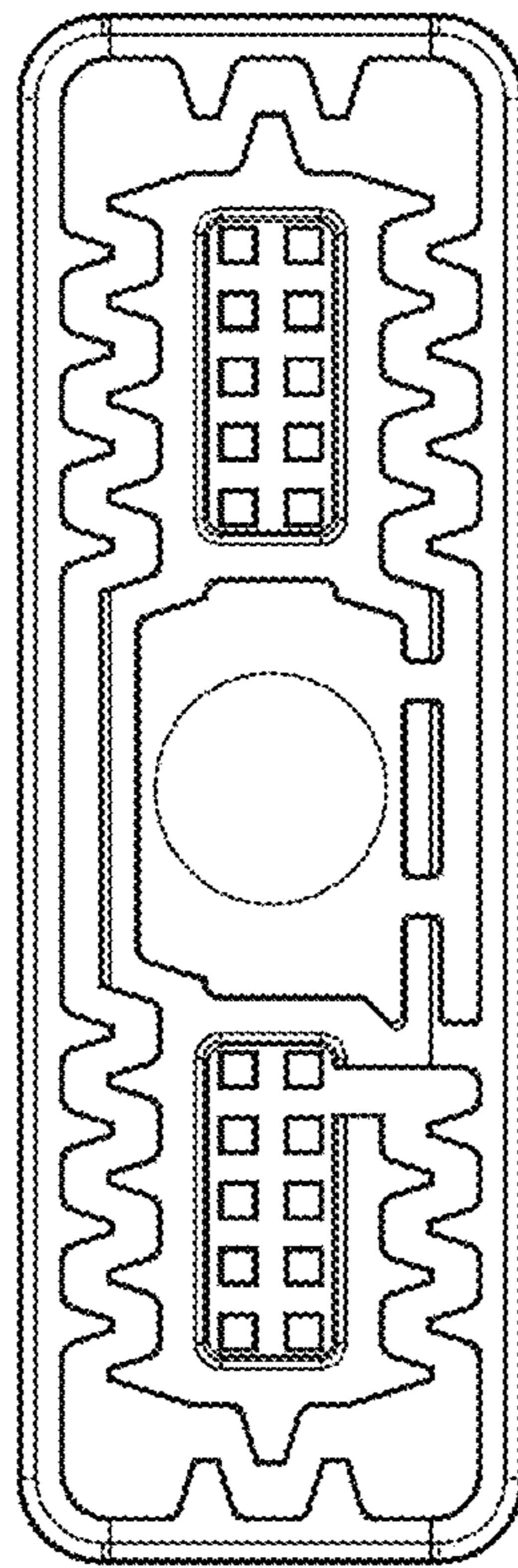


FIGURE 2



FIGURE 3



FIGURE 4

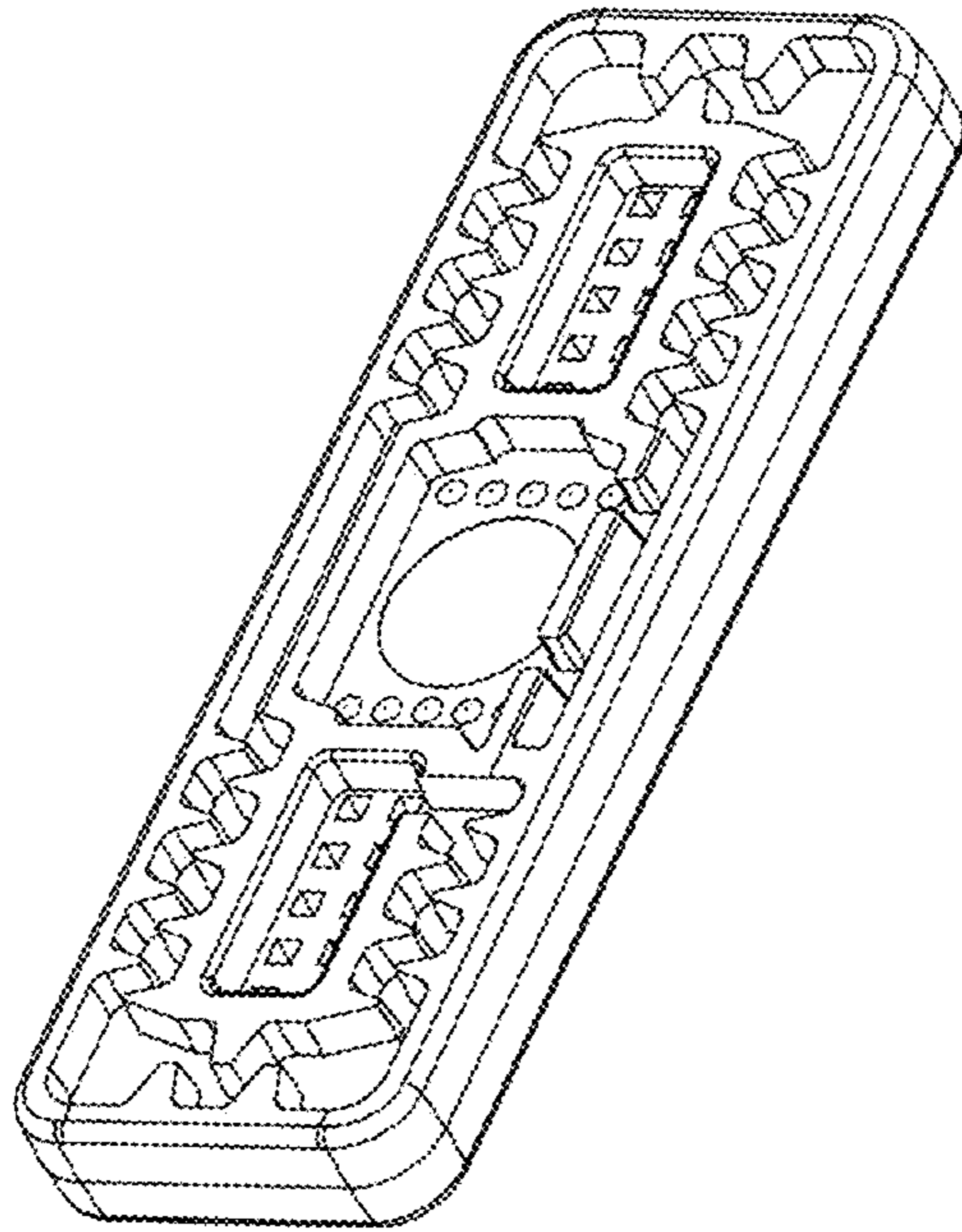


FIGURE 5

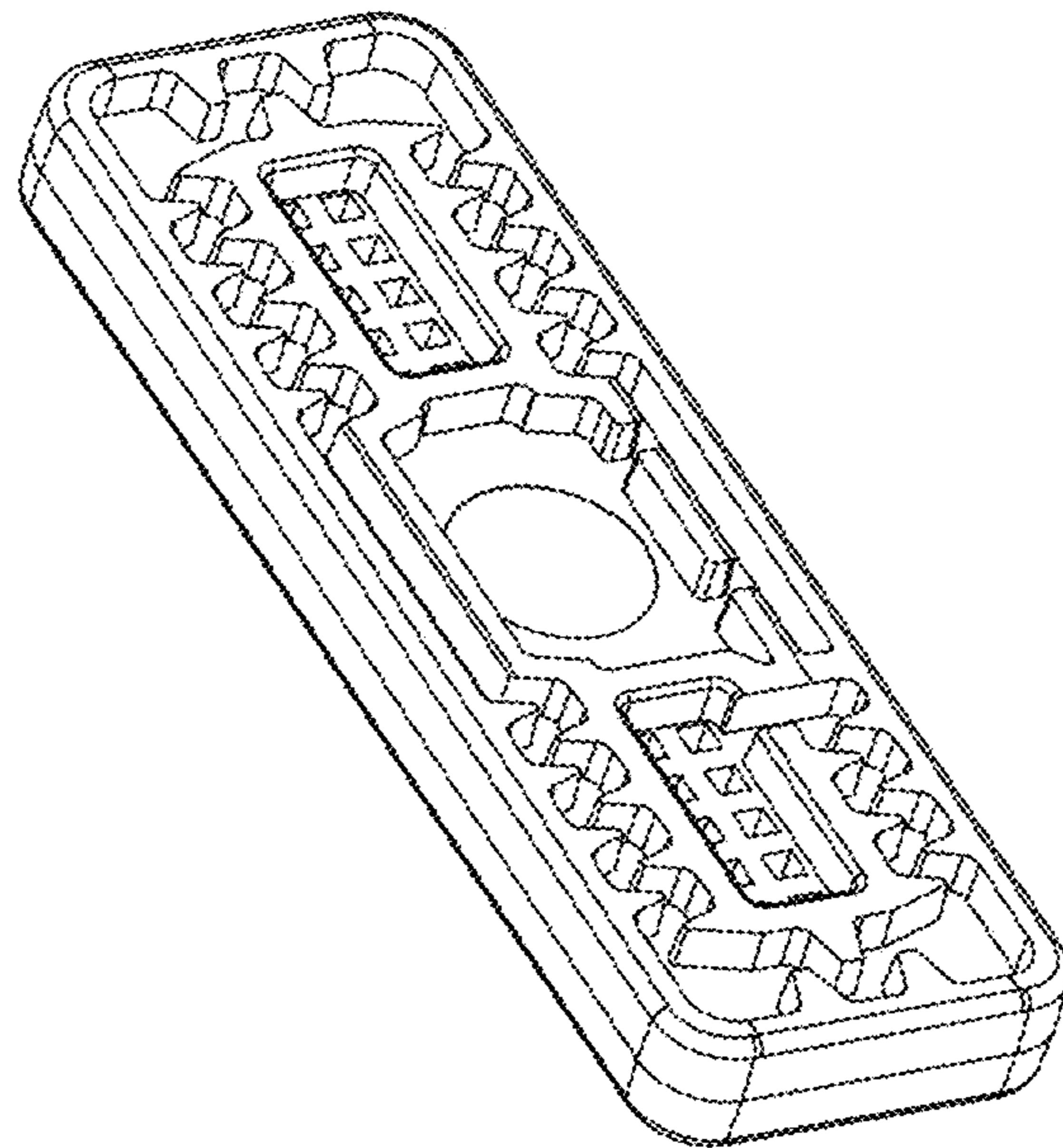


FIGURE 6