



US00D888514S

(12) **United States Design Patent** (10) **Patent No.:** **US D888,514 S**
Brown (45) **Date of Patent:** **** Jun. 30, 2020**

(54) **TOOL ATTACHMENT FOR WEED AND DEBRIS REMOVAL**

D171,303 S 1/1954 Lyon
D185,675 S 7/1959 MacMinn
3,065,015 A * 11/1962 Courtright A01G 20/30
294/50.6

(71) Applicant: **Rodney L. Brown**, Rochester Hills, MI (US)

3,360,861 A 1/1968 Hoffman
3,456,737 A 7/1969 Rhyme

(72) Inventor: **Rodney L. Brown**, Rochester Hills, MI (US)

D214,923 S 8/1969 Schier et al.
D216,946 S * 3/1970 Wen D8/14
D237,056 S 10/1975 Westgerdes

(Continued)

(**) Term: **15 Years**

Primary Examiner — Sheryl Lane

(21) Appl. No.: **29/659,691**

(74) *Attorney, Agent, or Firm* — Brian S. Steinberger; Hilary F. Steinberger; Law Offices of Brian S. Steinberger, P.A.

(22) Filed: **Aug. 10, 2018**

Related U.S. Application Data

(57) **CLAIM**

(63) Continuation-in-part of application No. 14/972,773, filed on Dec. 17, 2015, now Pat. No. 10,070,571.

The ornamental design for tool attachment, as shown and described.

(51) **LOC (12) Cl.** **08-01**

DESCRIPTION

(52) **U.S. Cl.**

USPC **D8/1**

(58) **Field of Classification Search**

USPC D8/1, 14
CPC .. A01B 1/16; A01B 1/00; A01B 1/165; A01G 20/30

See application file for complete search history.

FIG. 1 is a top left front perspective view of the tool attachment.

FIG. 2 is a bottom right front perspective view of the tool attachment of FIG. 1.

FIG. 3 is a top left rear perspective view of the tool attachment of FIG. 1.

FIG. 4 is a bottom right rear perspective view of the tool attachment of FIG. 1.

FIG. 5 is a left side view of the tool attachment of FIG. 1.

FIG. 6 is a right side view of the tool attachment of FIG. 1.

FIG. 7 is a front end view of the tool attachment of FIG. 1.

FIG. 8 is a rear end view of the tool attachment of FIG. 1.

FIG. 9 is a top view of the tool attachment of FIG. 1; and,

FIG. 10 is a bottom view of the tool attachment of FIG. 1.

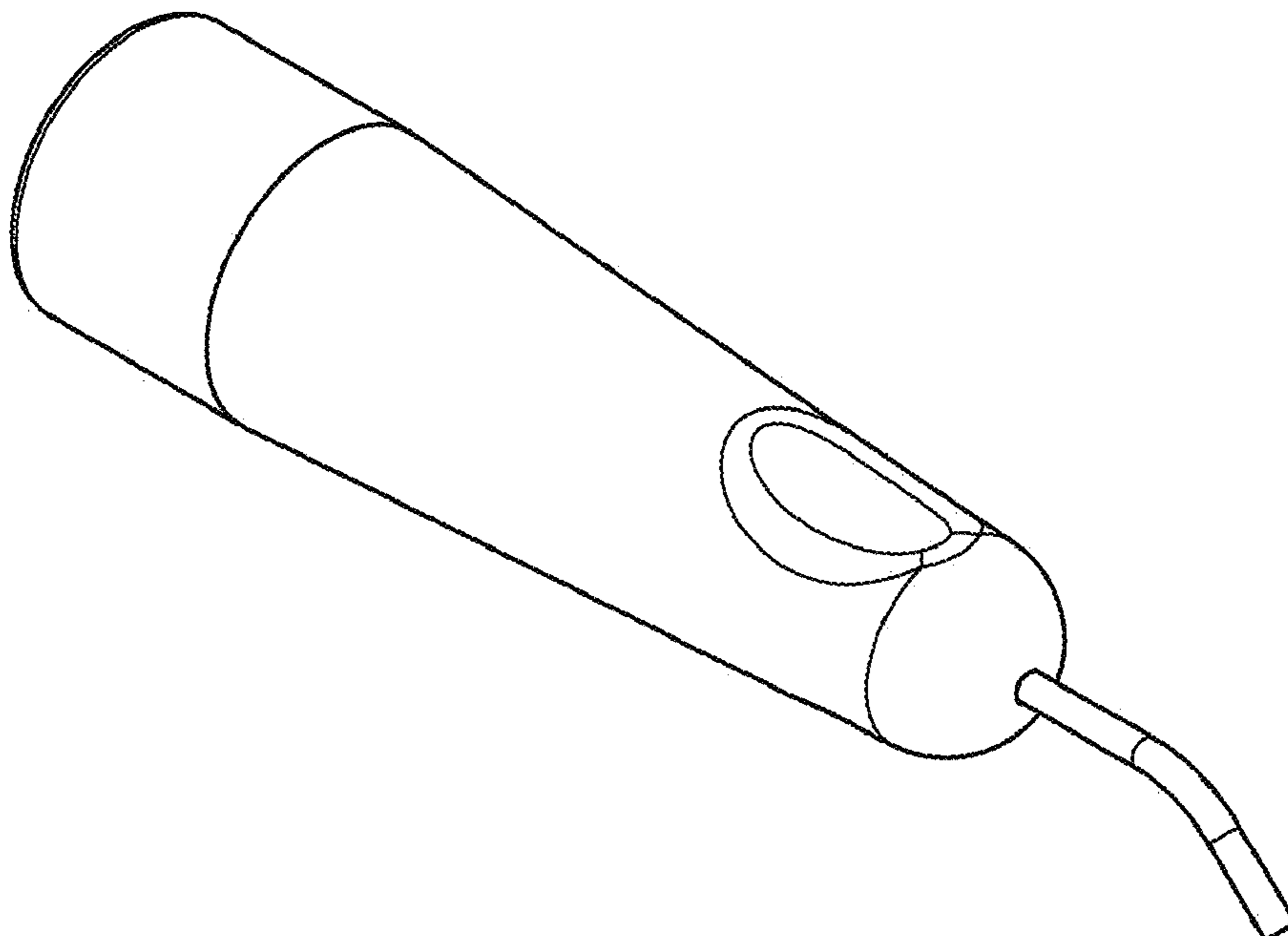
The broken lines represent portions of the tool and form no part of the claimed design.

(56) **References Cited**

U.S. PATENT DOCUMENTS

1,066,871 A 7/1913 Wilkes
1,069,007 A 7/1913 Hauskey
1,187,615 A 6/1916 Frees
1,224,957 A 5/1917 Robinson
1,487,713 A 3/1924 Bucher
1,549,042 A 8/1925 Masters
1,554,518 A 9/1925 Ostrander
2,019,357 A 10/1935 Oestreich
2,205,769 A 6/1940 Sweetland

1 Claim, 5 Drawing Sheets



(56)

References Cited

U.S. PATENT DOCUMENTS

D253,159 S *	10/1979	Crisafulli	D8/12	5,666,683 A	9/1997	Gairdner	
4,177,864 A	12/1979	Donnini		5,791,708 A	8/1998	Capriotti	
4,232,422 A	11/1980	Fellmann		5,887,283 A *	3/1999	Mackay	A01B 1/00
4,319,642 A	3/1982	Merz					172/370
4,467,873 A	8/1984	Kaatz		D421,881 S *	3/2000	Wen	D8/1
4,546,831 A	10/1985	Albertson		D423,640 S	4/2000	Stokes et al.	
4,698,019 A	10/1987	Martin		6,293,349 B1	9/2001	Marshall et al.	
4,786,095 A	11/1988	Dumont		6,360,826 B1	3/2002	Barber	
4,832,132 A	5/1989	Barcelon		D459,779 S *	7/2002	Martyn, III	D21/793
4,934,024 A	6/1990	Sexton I		6,470,972 B1	10/2002	Trampe	
5,335,392 A	8/1994	Evans		6,615,928 B2	9/2003	Dueitt	
5,350,021 A	9/1994	Walker		D524,894 S *	7/2006	Martyn, III	D21/793
D356,409 S	3/1995	Kanaskie		D552,952 S *	10/2007	Horner	D8/14
5,439,263 A	8/1995	Chambers		D572,080 S	7/2008	Zemel	
5,471,696 A	12/1995	Linfoot		D631,320 S *	1/2011	Crookston	D8/89
5,482,338 A	1/1996	Hall		D656,300 S	3/2012	Purcell	
5,490,374 A	2/1996	Calande		D704,025 S *	5/2014	Tronconi	B25G 1/04
5,579,848 A	12/1996	Hsu					D8/107
				D749,923 S *	2/2016	Davis	D8/14
				10,070,571 B1 *	9/2018	Brown	A01B 1/16

* cited by examiner

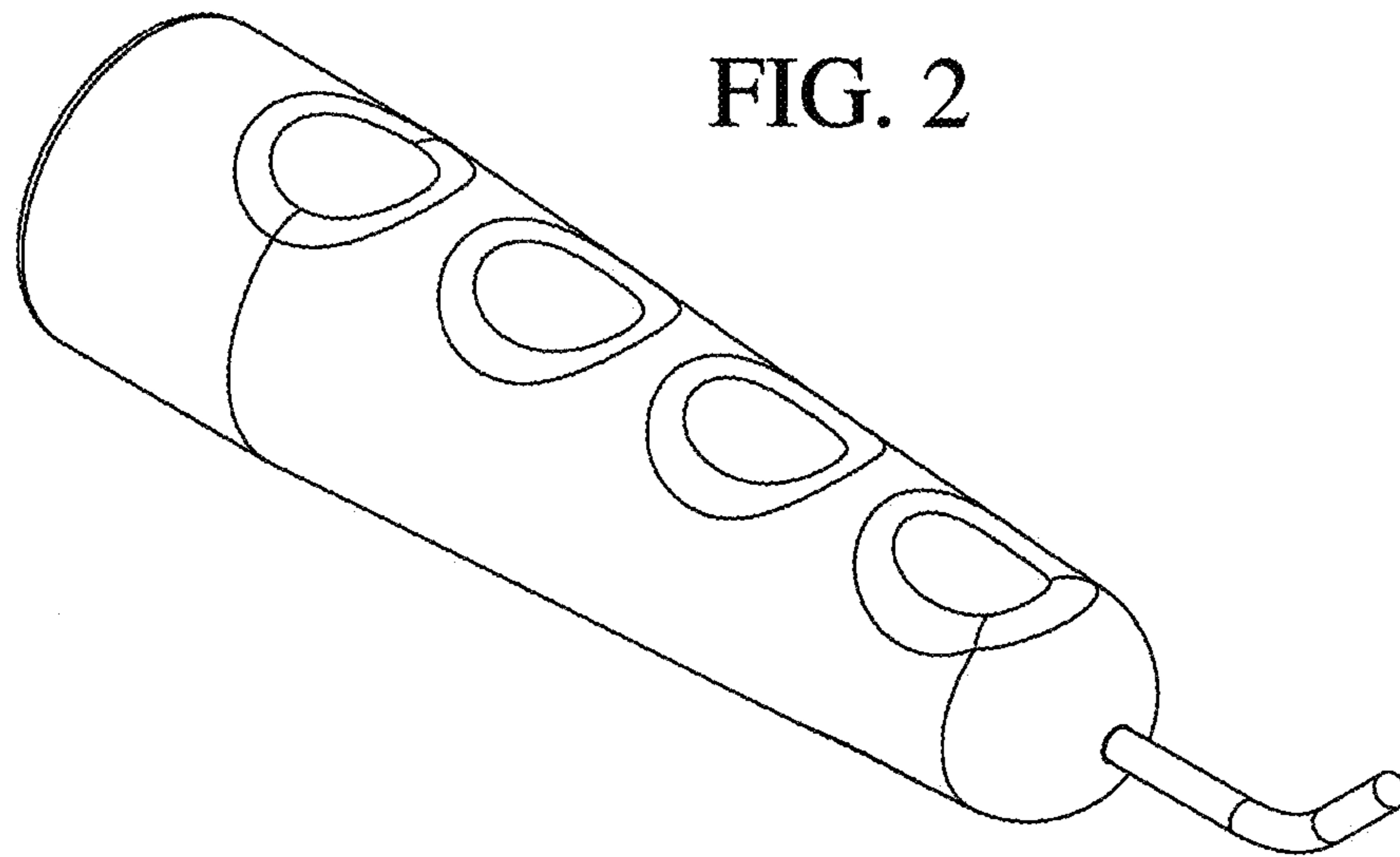


FIG. 2

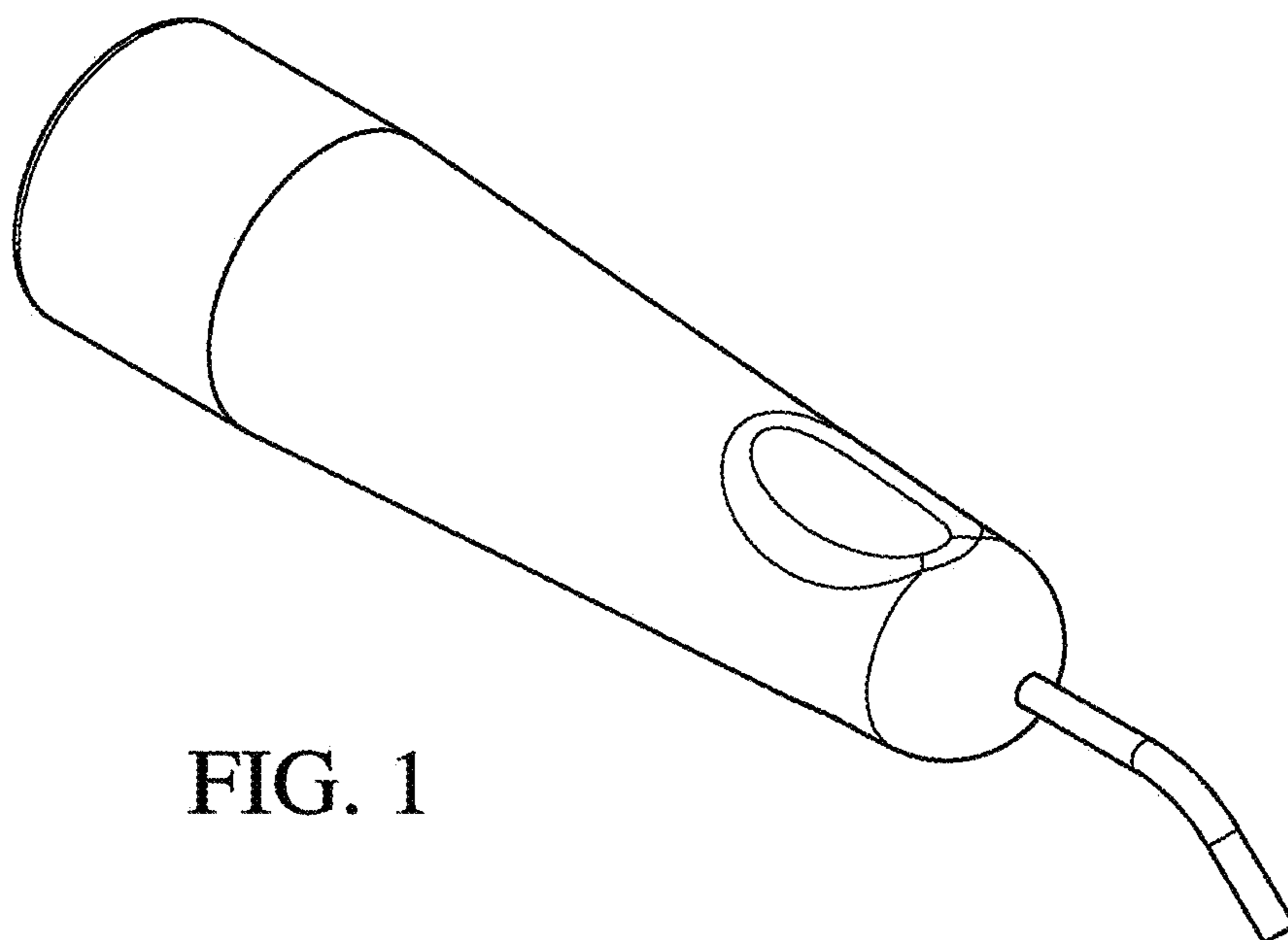


FIG. 1

FIG. 4

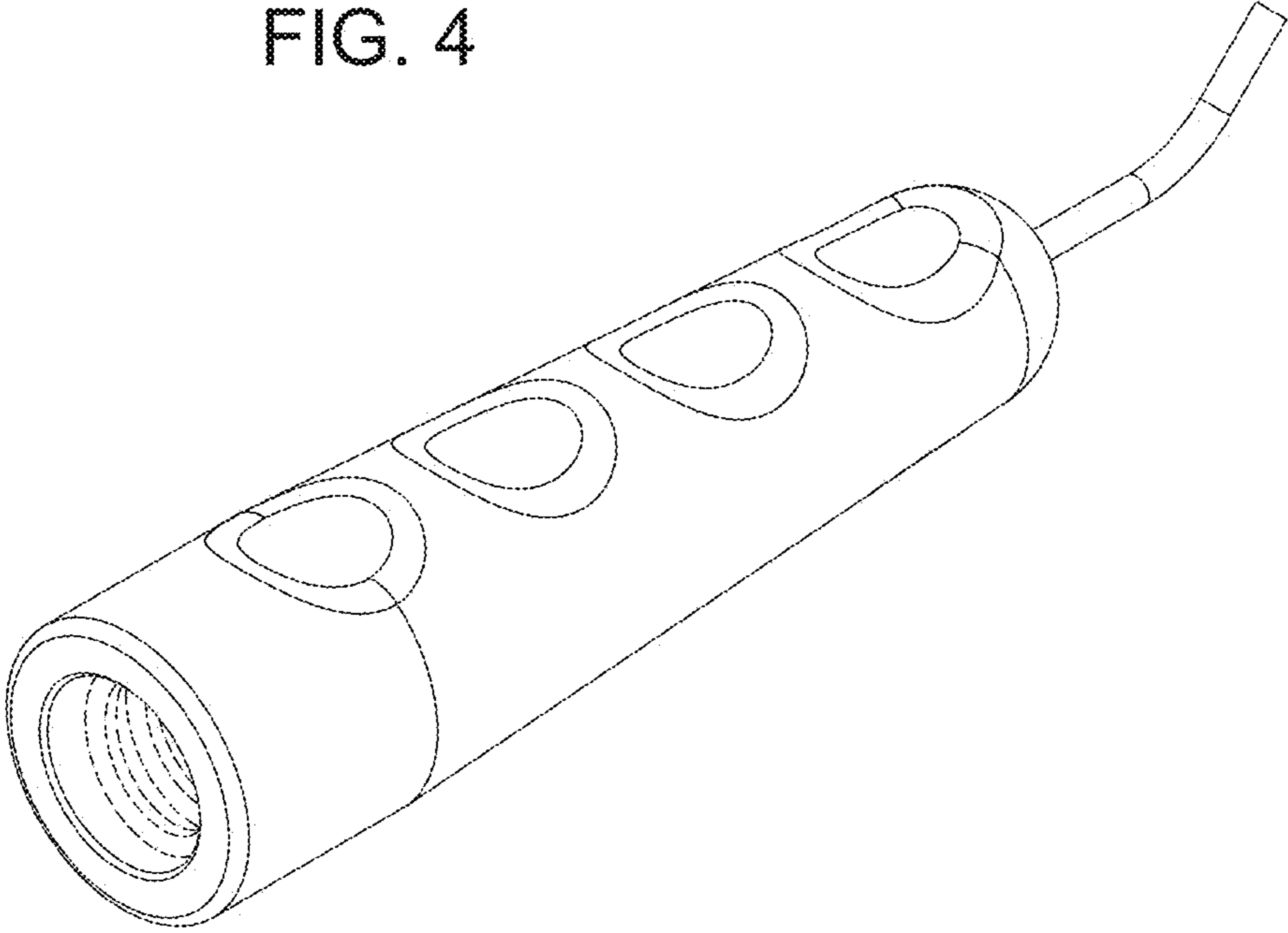


FIG. 3

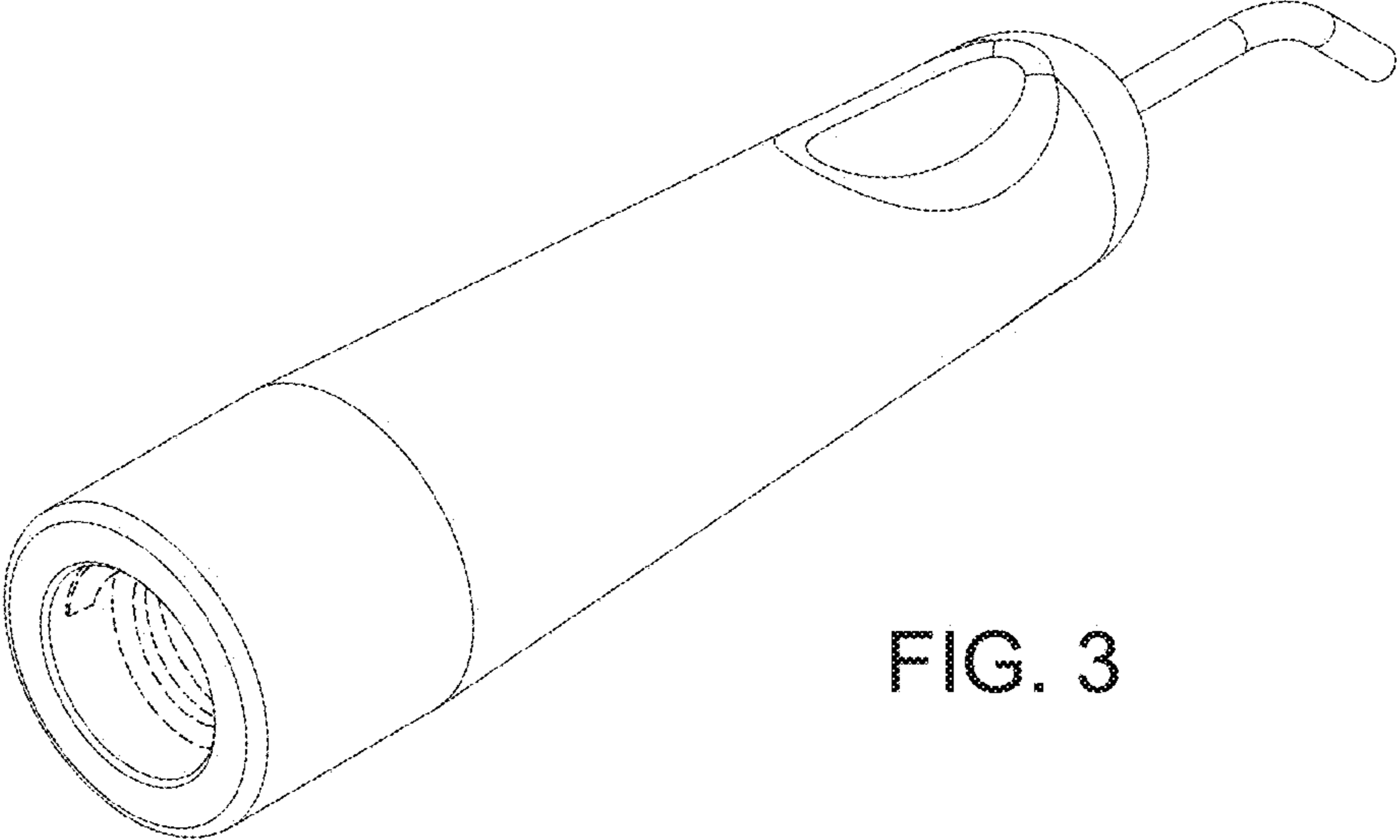


FIG. 5

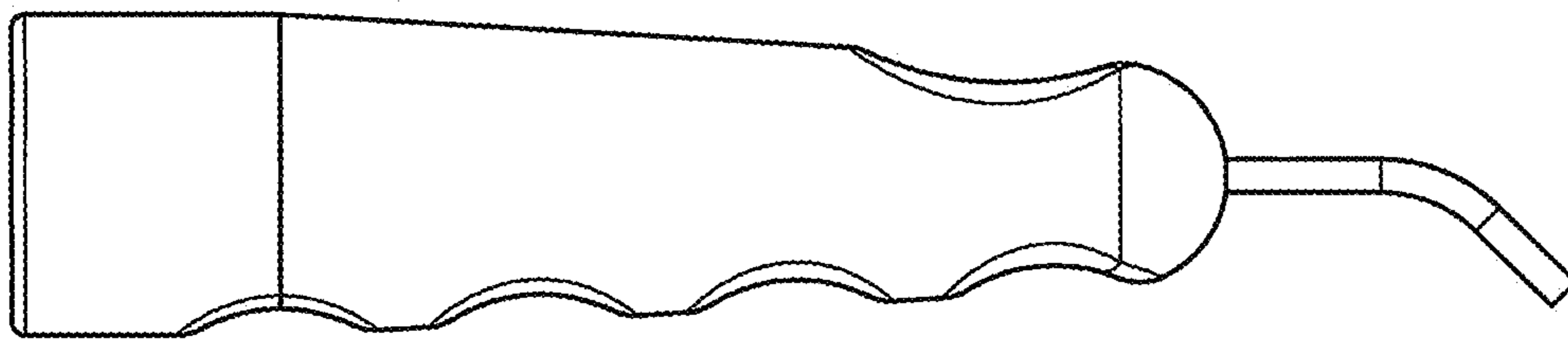
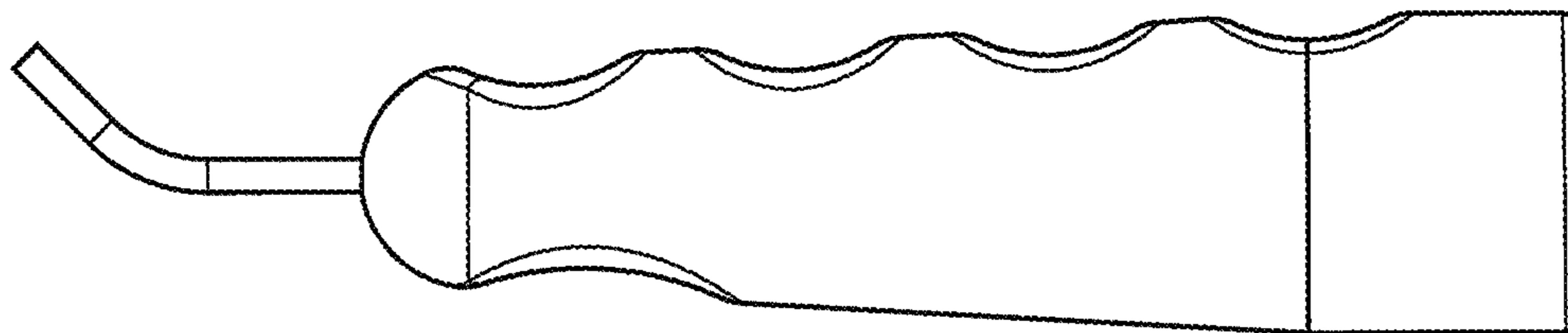


FIG. 6



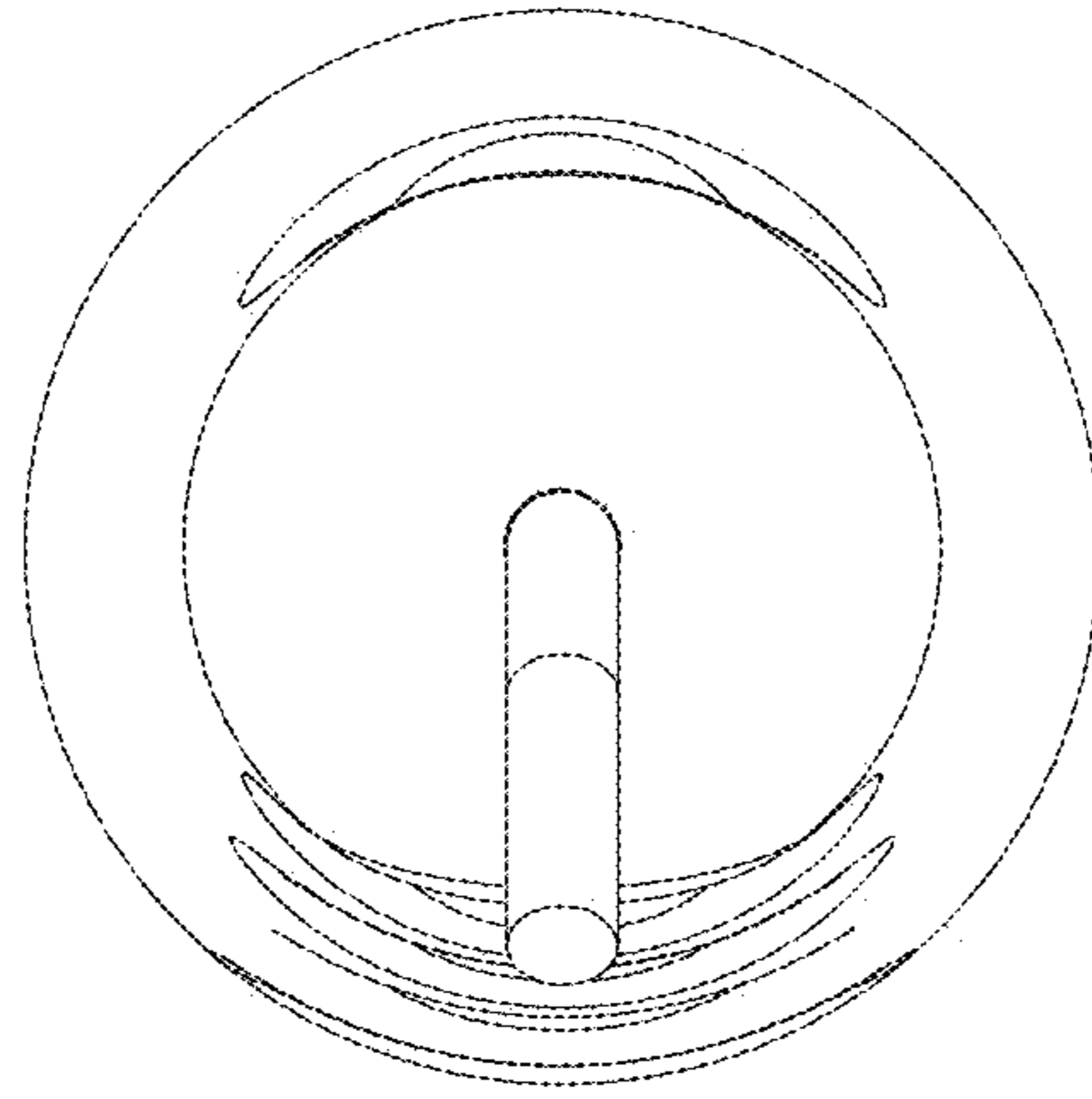


FIG. 7

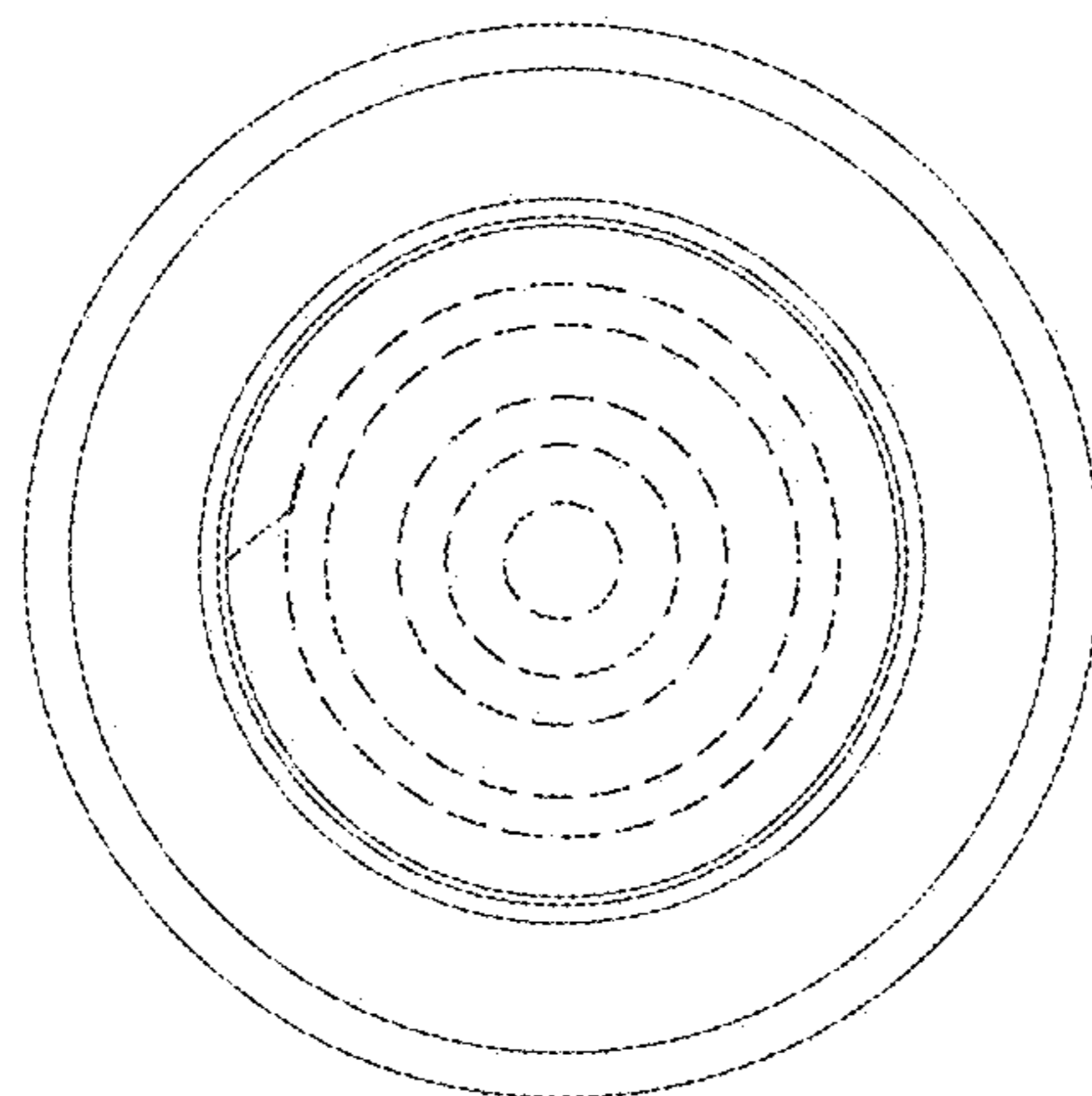


FIG. 8

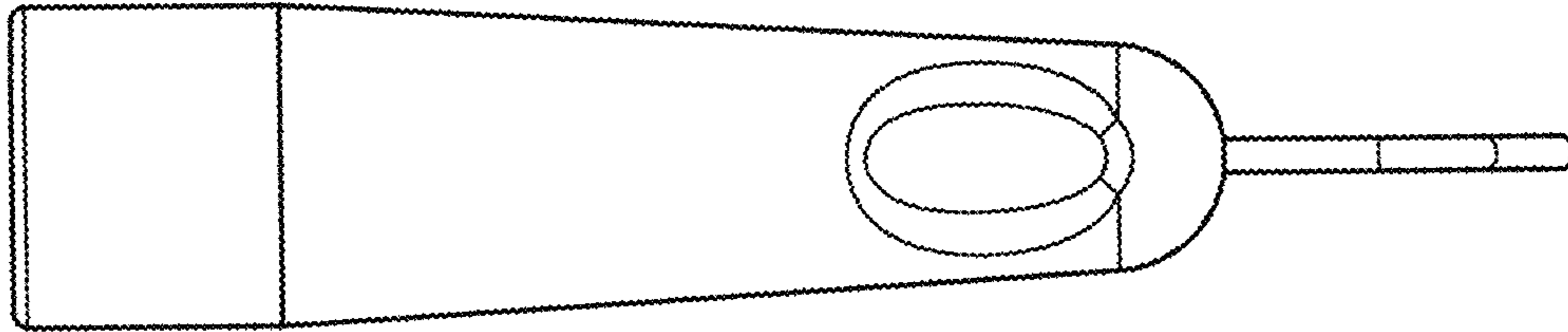


FIG. 9

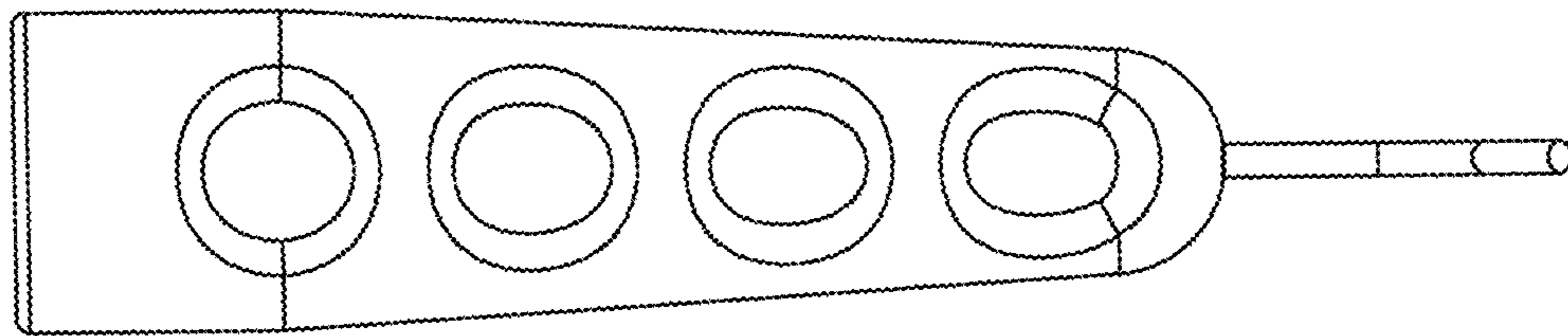


FIG. 10