



US00D888512S

(12) **United States Design Patent**
Hinojosa

(10) **Patent No.:** **US D888,512 S**

(45) **Date of Patent:** **** Jun. 30, 2020**

(54) **DEVICE FOR CATCHING DEBRIS FROM A COUNTERTOP**

(71) Applicant: **Innovative Synergies, LLC**, Arlington, TX (US)

(72) Inventor: **Roel E. Hinojosa**, Arlington, TX (US)

(73) Assignee: **INNOVATIVE SYNERGIES, LLC**, Arlington, TX (US)

(**) Term: **15 Years**

(21) Appl. No.: **29/646,776**

(22) Filed: **May 7, 2018**

(51) **LOC (12) Cl.** **07-04**

(52) **U.S. Cl.**
USPC **D7/698**

(58) **Field of Classification Search**
USPC D6/513, 703.1; D7/316, 500, 509, 542, D7/543, 545, 560, 561, 566, 584, 586, D7/587, 602, 615, 629, 667, 323, 337, D7/354, 355, 356, 357, 358, 359, 366, D7/367, 368, 369, 381, 387, 397, 668, D7/669, 672, 688, 213, 400, 402, 408, D7/409, 412, 391, 549, 550.1, 698-699; 220/574, 575, 676; 229/406; 99/324, 99/325, 339, 345, 415, 416, 425, 426; D32/55-57; 269/14, 15
CPC A47G 19/02; A47L 19/04; A45C 3/045; A47J 43/22; A47J 43/24; B01D 29/37; B01D 29/35
See application file for complete search history.

(56) **References Cited**

U.S. PATENT DOCUMENTS

D292,352 S * 10/1987 Hampshire D6/513
D341,298 S * 11/1993 Ancona D7/553.3

9,066,626 B2 * 6/2015 Young A47J 47/005
D741,121 S * 10/2015 Lee D7/698
D845,091 S * 4/2019 Joseph D7/698
2011/0221112 A1 * 9/2011 Kent A47J 47/005
269/15
2013/0214466 A1 * 8/2013 Young A47J 47/005
269/14
2018/0140141 A1 * 5/2018 Russell A47J 47/005
2019/0335972 A1 * 11/2019 Hinojosa A47L 13/52

* cited by examiner

Primary Examiner — Wan Laymon

Assistant Examiner — Mark Booker

(74) *Attorney, Agent, or Firm* — Wick Phillips Gould & Martin LLP; Jerry C. Harris, Jr.

(57) **CLAIM**

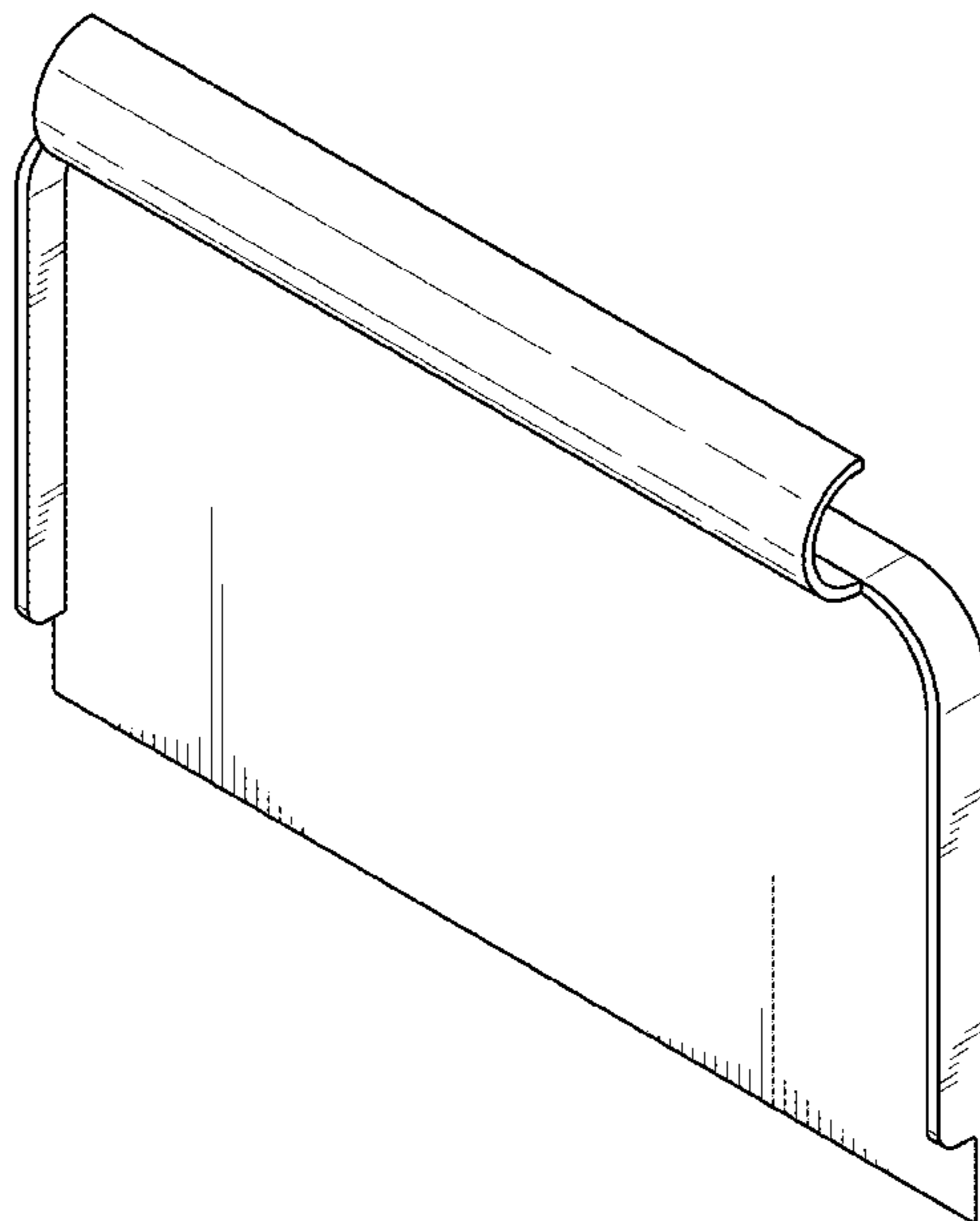
The ornamental design for a device for catching debris from a countertop, as shown and described.

DESCRIPTION

FIG. 1 is a front perspective view of a device for catching debris from a countertop in accordance with our new design; FIG. 2 is a front elevation view thereof; FIG. 3 is a rear elevation view thereof; FIG. 4 is a side elevation view thereof; FIG. 5 is a side elevation view thereof, for the side opposite that of FIG. 4; FIG. 6 is a top elevation view thereof; FIG. 7 is a bottom elevation view thereof; FIG. 8 is a rear perspective view thereof; and, FIG. 9 is a detail view of the rear perspective view indicated in FIG. 8.

The broken line showing of the device for catching debris from a countertop is for ease of understanding the enlarged view and form no part of the claimed design.

1 Claim, 7 Drawing Sheets



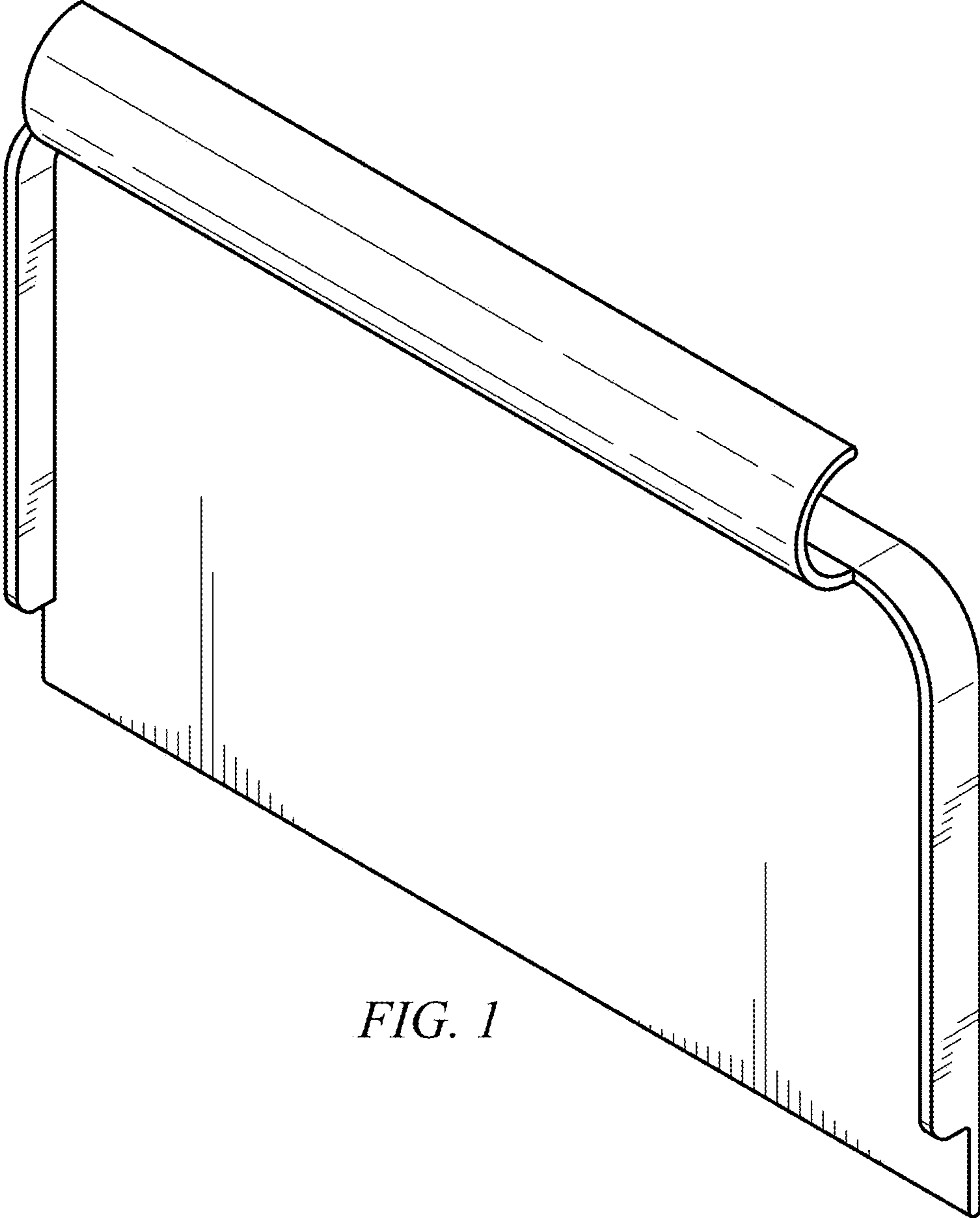


FIG. 1

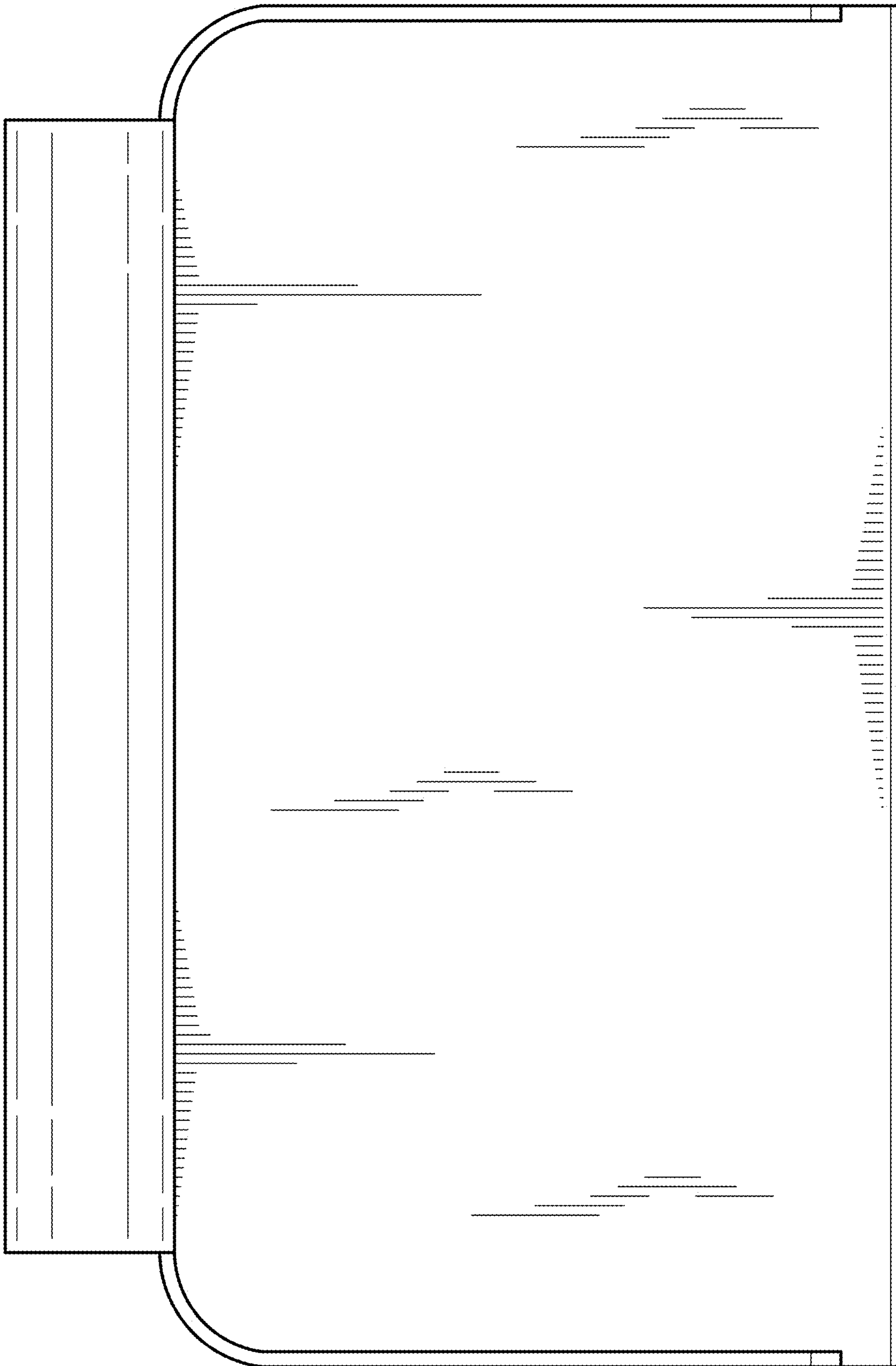


FIG. 2

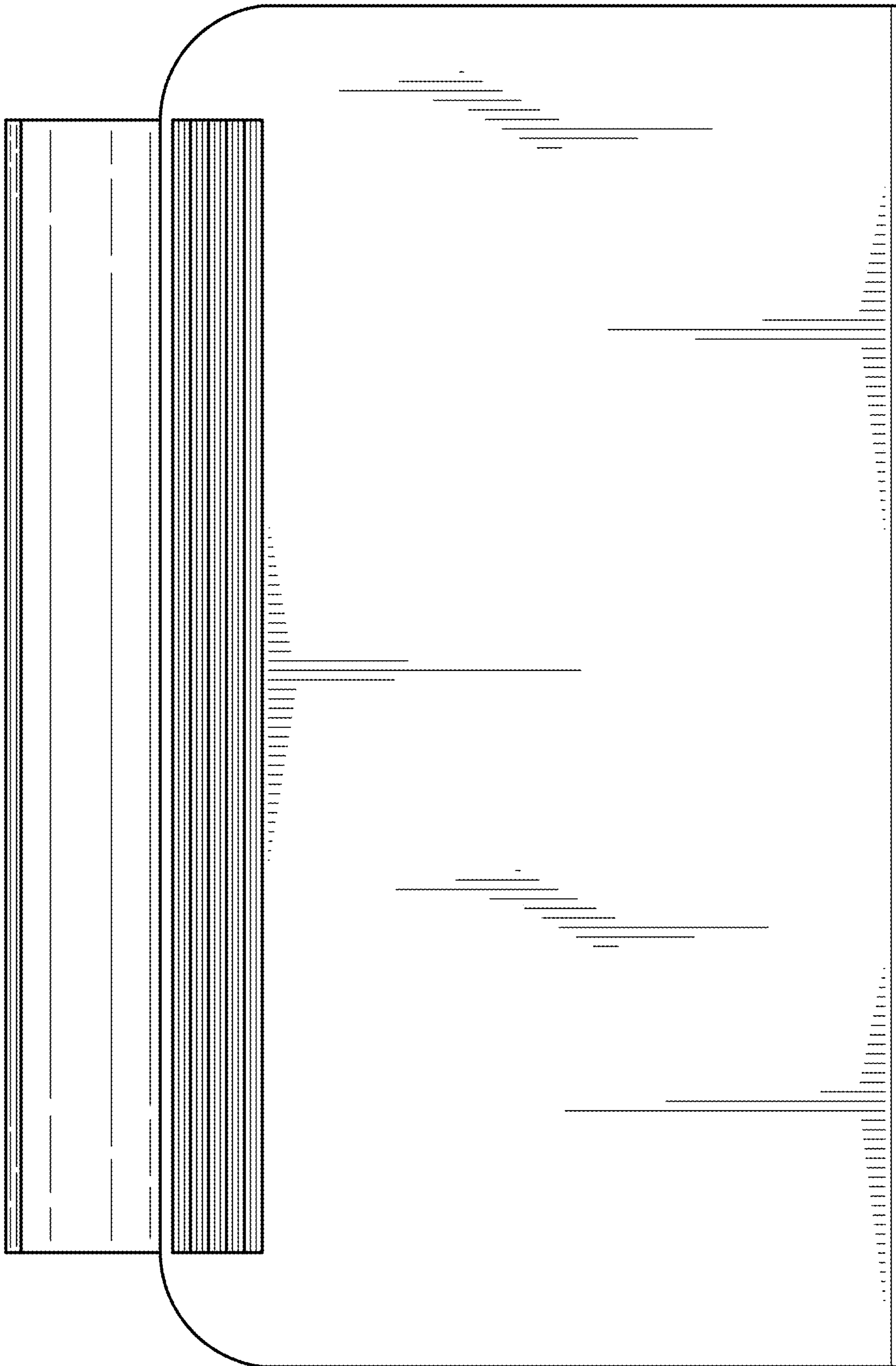


FIG. 3

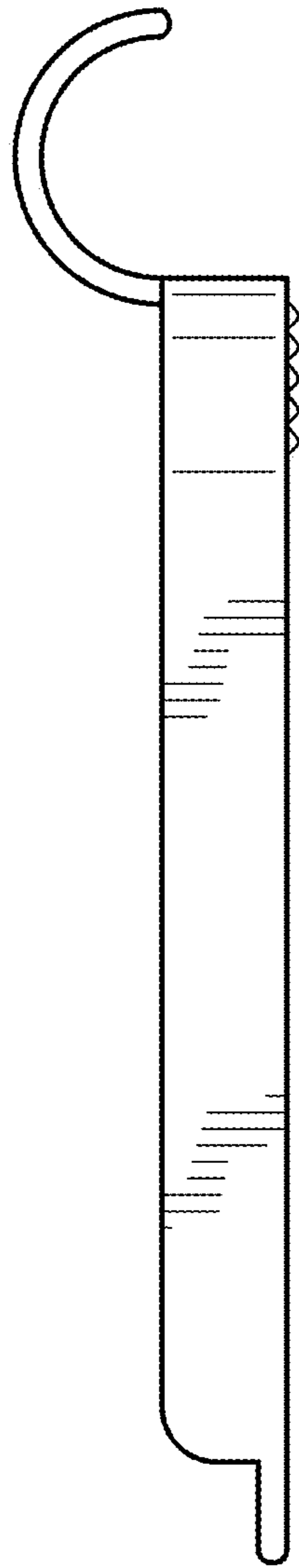


FIG. 4

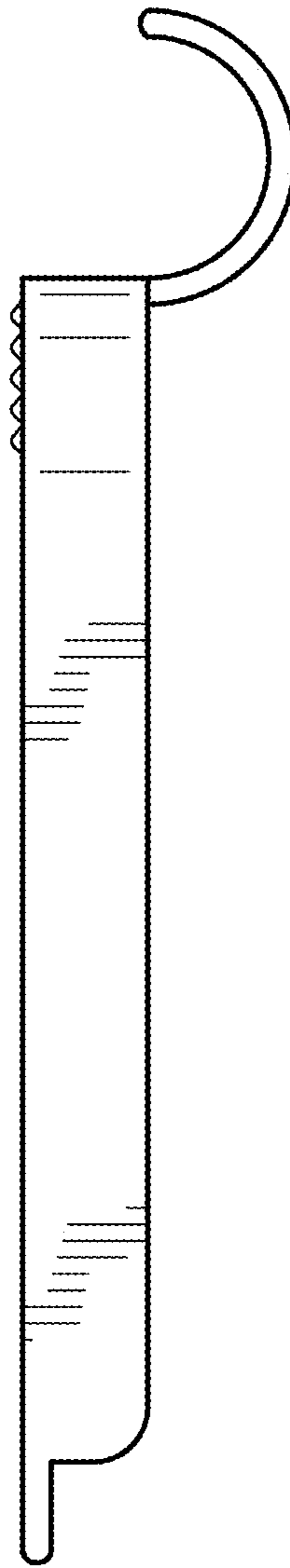


FIG. 5

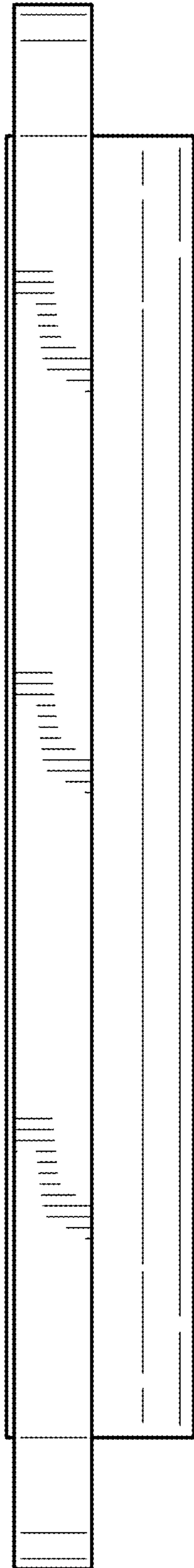


FIG. 6

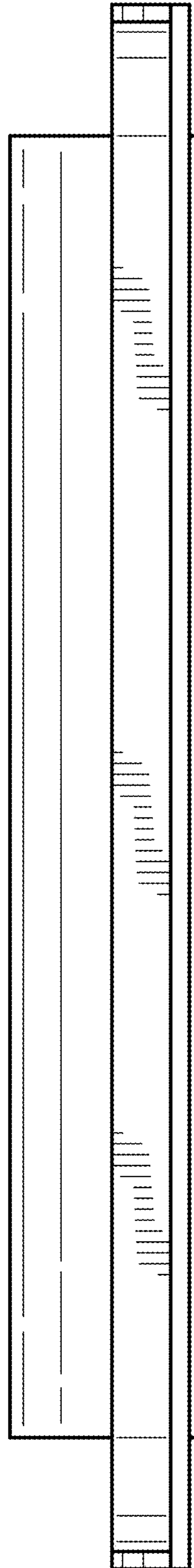


FIG. 7

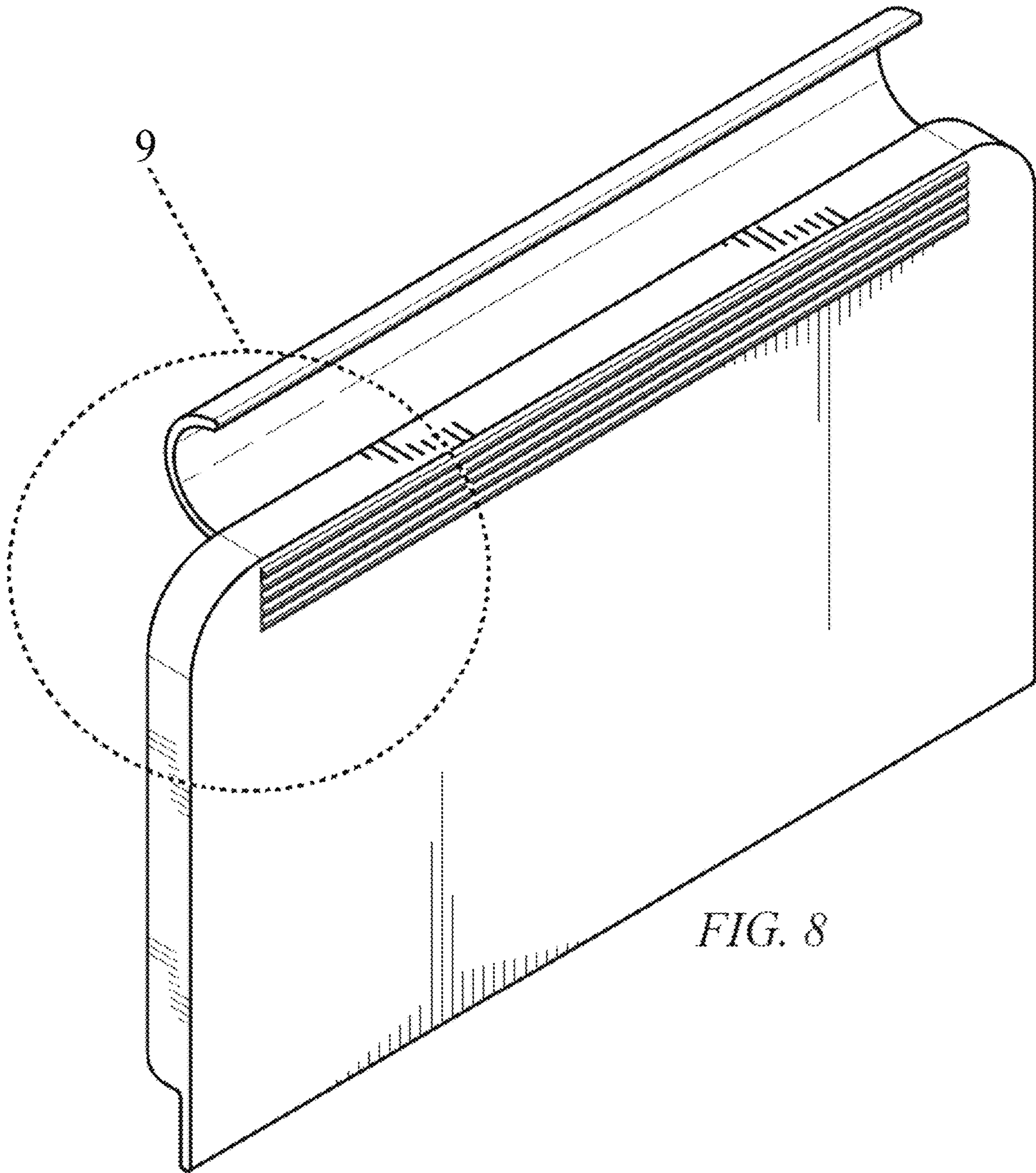


FIG. 8

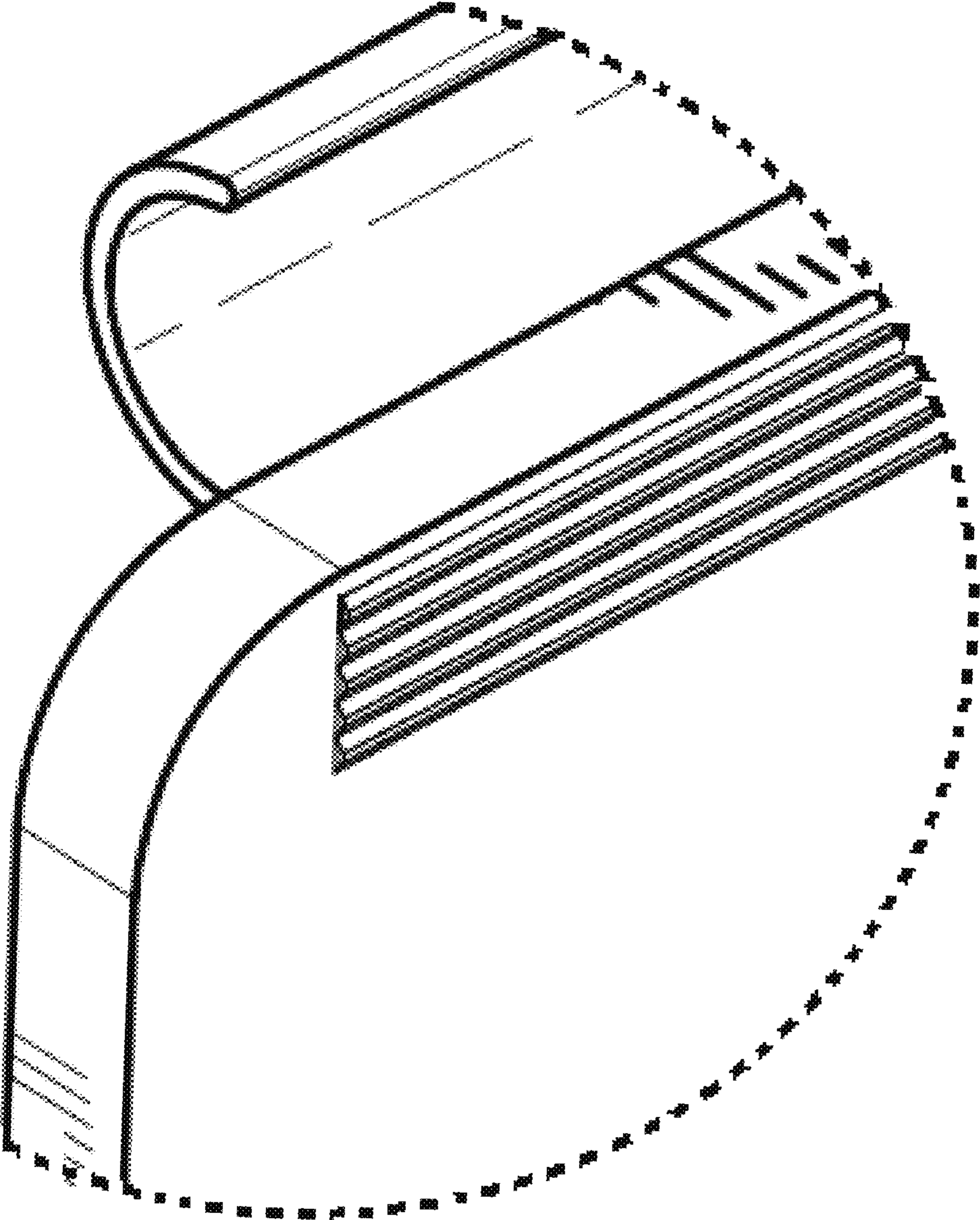


FIG. 9