



US00D888507S

(12) **United States Design Patent** (10) **Patent No.:** **US D888,507 S**
Floco (45) **Date of Patent:** **** Jun. 30, 2020**

(54) **STORAGE CONTAINER**

FOREIGN PATENT DOCUMENTS

(71) Applicant: **PierPoint, Inc.**, Escondido, CA (US)

JP 2010202262 A 9/2010
WO 2019125452 6/2019

(72) Inventor: **Ried Floco**, Escondido, CA (US)

OTHER PUBLICATIONS

(73) Assignee: **PIERPOINT, INC.**, Escondido, CA (US)

“Travel Tray—Convenient Snack and Drink Travel Tray for Car Seats” Website [online], Travel Tray, Oct. 30, 2017 (retrieved on Feb. 6, 2018). Retrieved from the Internet: URL: <https://www.traveltray.us/>.

(**) Term: **15 Years**

(Continued)

(21) Appl. No.: **29/659,235**

Primary Examiner — Derrick E Holland

(22) Filed: **Aug. 7, 2018**

Assistant Examiner — Andrew Kerr

(51) **LOC (12) Cl.** **07-01**

(74) *Attorney, Agent, or Firm* — Eleanor Musick; Musick Davison LLP

(52) **U.S. Cl.**

USPC **D7/629**

(58) **Field of Classification Search**

USPC D7/550.1, 553.1, 553.2, 553.3, 553.7, D7/554.4, 555, 601, 602, 629; D9/424, D9/425, 430, 432; D3/201, 203.1–203.3
CPC B65D 25/04; B65D 21/00; B65D 21/02; B65D 43/00; B65D 43/02; A47J 47/00; A47J 47/02; A47J 47/14
See application file for complete search history.

(57) **CLAIM**

The ornamental design of a storage container, as shown and described.

DESCRIPTION

FIG. 1 is a side perspective view of a storage container, showing my new design;
FIG. 2 is a top plan view of the storage container;
FIG. 3 is a bottom plan view of the storage container;
FIG. 4 is a left side elevational view of the storage container as shown in FIG. 1;
FIG. 5 is a right side elevational view of the storage container as shown in FIG. 1;
FIG. 6 is a rear elevational view of the storage container as shown in FIG. 1;
FIG. 7 is a front elevational view of the storage container as shown in FIG. 1;
FIG. 8 is an exploded side perspective view thereof; and, FIG. 9 is an inverted exploded side perspective view thereof. The broken lines shown in FIGS. 8 and 9 are for the purpose of illustrating environment and form no part of the claimed design.

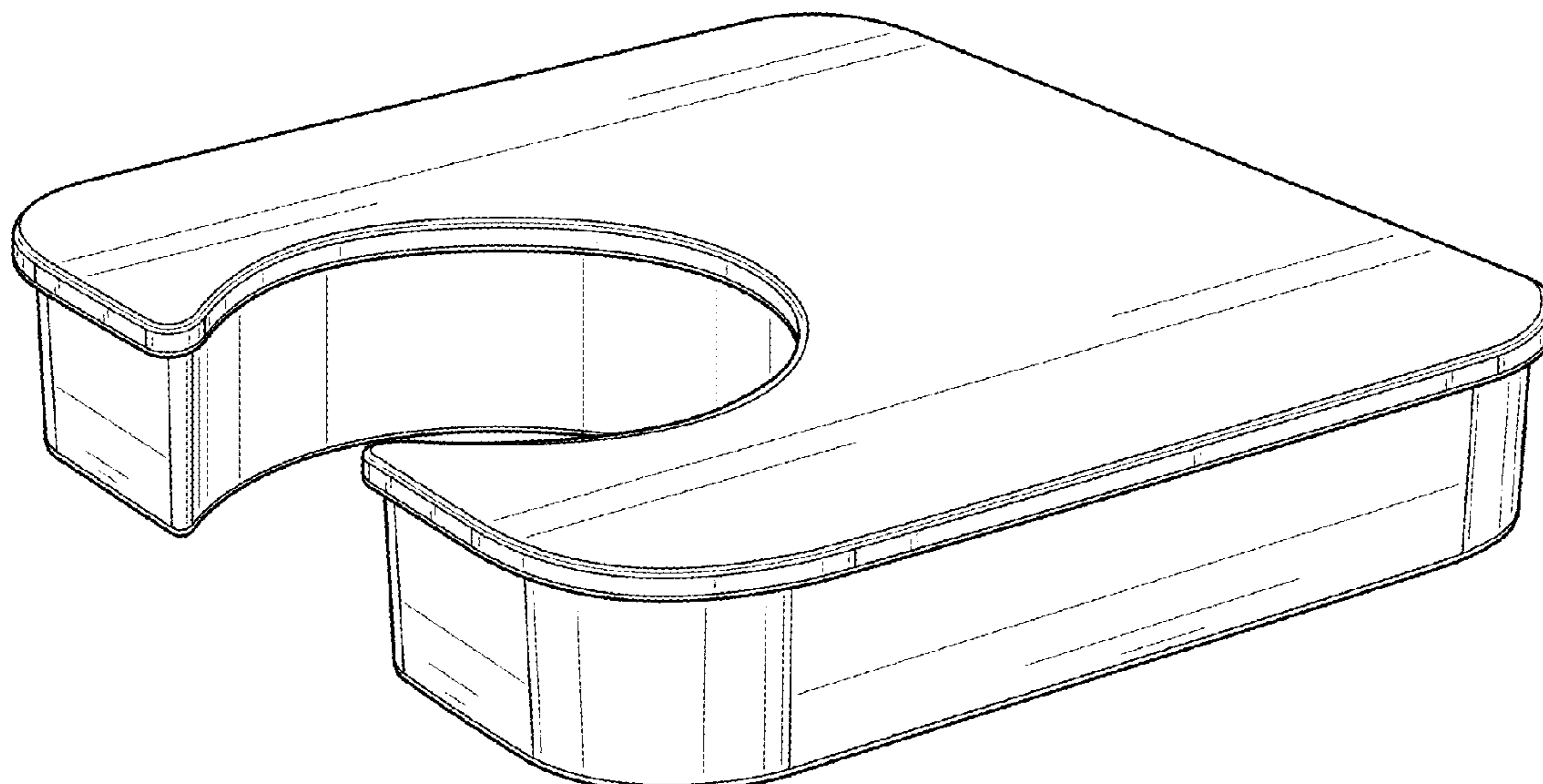
(56) **References Cited**

U.S. PATENT DOCUMENTS

1,544,972 A 7/1925 Gebelein
D87,682 S 8/1932 Pouter
1,872,491 A 8/1932 Noetzel
2,063,289 A 12/1936 Alusas
D105,687 S 8/1937 Bode
2,107,023 A 2/1938 Bertsch
2,584,557 A 2/1952 Cuthbertson
2,640,595 A 6/1953 Byford
2,799,147 A 7/1957 Crawford
3,079,037 A 2/1963 Schechter
3,250,422 A 5/1966 Parish
3,257,024 A 6/1966 Semanchik

(Continued)

1 Claim, 8 Drawing Sheets



(56)

References Cited

U.S. PATENT DOCUMENTS

D205,895 S *	10/1966	Drabkowski	D24/181	6,533,233 B2	3/2003	Thomas
3,401,858 A	9/1968	White et al.		6,651,836 B1	11/2003	Hofheins et al.
3,491,893 A	1/1970	Morris		6,682,034 B1	1/2004	Vial
3,526,335 A	9/1970	Swett et al.		6,732,990 B2	5/2004	Hudson
3,642,239 A	2/1972	Zeiler		D506,357 S	6/2005	Price
3,779,152 A *	12/1973	Smith	B65B 27/083 100/34	D508,373 S	8/2005	Corrieri
				D509,104 S	9/2005	Price
3,800,939 A	4/1974	Cornelius		6,964,443 B1	11/2005	Newton
3,808,084 A	4/1974	Doty		6,971,539 B1	12/2005	Abbe
3,877,603 A	4/1975	Holz		D524,108 S	7/2006	Price
3,949,876 A	4/1976	Bridges et al.		7,114,630 B2	10/2006	Dege et al.
4,040,549 A	8/1977	Sadler		D534,816 S	1/2007	Newton
4,071,163 A	1/1978	Martin		D560,973 S	2/2008	Parlowski
4,202,465 A	5/1980	McLaren		7,334,908 B1	2/2008	Figuroa
4,208,006 A	6/1980	Bixler et al.		D563,726 S	3/2008	Fraser
4,221,320 A	9/1980	Faller		D571,228 S	6/2008	Maslowski
4,279,354 A	7/1981	Conti		D575,600 S	8/2008	Mayer
4,286,713 A	9/1981	Marchais		D576,455 S	9/2008	Siddle
4,334,623 A	6/1982	Geary		D581,740 S	12/2008	Ingle
D270,324 S	8/1983	French		D592,813 S	5/2009	Newsome et al.
4,516,685 A	5/1985	French		D594,280 S	6/2009	Wolhendler
4,524,701 A	6/1985	Chappell		D594,281 S	6/2009	Luft
D291,957 S	9/1987	Stevens		D594,705 S	6/2009	McComas
D298,296 S	11/1988	Washburn et al.		D595,093 S	6/2009	McComas
4,798,413 A	1/1989	Capelli		D595,094 S	6/2009	Vernes et al.
4,966,297 A	10/1990	Doty		7,562,785 B2	7/2009	Meissen
4,969,618 A	11/1990	Thompson		D604,993 S	12/2009	Vernes et al.
D322,197 S	12/1991	Sherlin		D606,810 S	12/2009	Clark
5,114,108 A	5/1992	Olschansky		D614,926 S	5/2010	Cox
D326,588 S	6/1992	Meisel		D620,761 S	8/2010	Boudreau
5,118,063 A	6/1992	Young		D623,019 S	9/2010	Wildman
5,135,195 A	8/1992	Dane		D623,020 S	9/2010	Gordon
5,171,077 A	12/1992	Jondahl et al.		D623,478 S	9/2010	Hayashi
D342,421 S	12/1993	DuBow		D625,958 S	10/2010	Deming
D343,456 S *	1/1994	Ray	D3/273	7,871,050 B2	1/2011	Epstein
5,330,145 A	7/1994	Evans et al.		8,015,943 B1	9/2011	Samuelson et al.
5,335,787 A	8/1994	Finchum et al.		D650,237 S	12/2011	McComas
D353,289 S	12/1994	Ayotte et al.		D651,028 S	12/2011	Grimaldi
5,419,451 A	5/1995	Bitel, Jr.		D652,323 S	1/2012	Clark
5,421,459 A	6/1995	Mazzotti		D655,136 S	3/2012	Goodman
D359,885 S	7/1995	Yanuzzi		8,136,667 B2	3/2012	Raynor
D362,987 S *	10/1995	Laib	D6/567	8,146,737 B2	4/2012	D'Agostino
5,598,944 A	2/1997	Aragona		8,186,524 B2	5/2012	Siahpush
5,601,268 A	2/1997	Dunchock		8,256,639 B1	9/2012	Samuelson et al.
D378,334 S	3/1997	Legere		8,272,512 B2	9/2012	Joseph
5,651,523 A	7/1997	Bridges		D672,557 S *	12/2012	Farrell
D382,727 S	8/1997	Kresge et al.		D686,459 S	7/2013	Maggio
5,702,041 A	12/1997	Sun et al.		D686,460 S	7/2013	Maggio
5,711,595 A	1/1998	Gerbe		8,474,641 B2	7/2013	Hays et al.
5,713,628 A	2/1998	Lucatuorto		D705,438 S	5/2014	Wainwright et al.
5,769,264 A	6/1998	Lipkowitz		D708,062 S	7/2014	Navarro
5,772,050 A	6/1998	Shih		D712,204 S	9/2014	Hatcher et al.
D398,480 S	9/1998	Chica		D727,069 S *	4/2015	Ahroon
D404,218 S	1/1999	Sussman		D730,124 S	5/2015	Tollen et al.
5,865,124 A	2/1999	Wroe		9,027,825 B2	5/2015	Baker et al.
5,897,041 A	4/1999	Ney et al.		D732,344 S	6/2015	Clark
D410,820 S	6/1999	Lofrano		D736,568 S *	8/2015	Stephen Jenkins
5,953,999 A	9/1999	Kanehl		9,108,766 B2	8/2015	Gosen et al.
5,954,195 A	9/1999	Krueger et al.		D737,633 S	9/2015	Breton
5,971,139 A	10/1999	Bradley		9,145,233 B2	9/2015	Cerrato
D415,930 S	11/1999	Schmidt		D750,441 S	3/2016	Hartmann
6,021,914 A	2/2000	Schmidt		D766,665 S	9/2016	Shames
6,036,020 A	3/2000	Distler		D778,116 S	2/2017	Cao
6,109,580 A	8/2000	Stern et al.		D795,016 S	8/2017	Crawford
6,113,049 A	9/2000	Miljanich		D805,855 S	12/2017	Adams, I et al.
6,152,302 A	11/2000	Miller et al.		D808,222 S	1/2018	Shames
D442,830 S	5/2001	Raucci		D819,408 S	6/2018	Floco
6,264,026 B1	7/2001	Bradley		2002/0056743 A1	5/2002	Barcat et al.
6,302,326 B1	10/2001	Symonds et al.		2003/0108714 A1	6/2003	Razeti
D453,891 S	2/2002	Sussman		2003/0141424 A1	7/2003	Thomas
6,360,885 B1	3/2002	Krueger et al.		2004/0238537 A1	12/2004	Ojeda
D458,084 S	6/2002	Hudson		2005/0017134 A1	1/2005	Hooper
6,401,927 B1	6/2002	Sorensen et al.		2006/0049073 A1	3/2006	Shannon
6,425,480 B1	7/2002	Krueger et al.		2007/0023433 A1	2/2007	Vahavihu
6,511,030 B1	1/2003	Kelley		2008/0264822 A1	10/2008	Faiola
				2009/0120832 A1	5/2009	Munden
				2012/0031806 A1	2/2012	Riley
				2012/0097574 A1	4/2012	Parsons
				2014/0103033 A1	4/2014	Beckman

(56)

References Cited

U.S. PATENT DOCUMENTS

2016/0075492 A1 3/2016 Brannock
2016/0236837 A1 8/2016 Malcolm
2017/0245610 A1 8/2017 French
2017/0311752 A1 11/2017 Roever et al.

OTHER PUBLICATIONS

PCT/US2017/067752 International Search Report and Written Opinion, dated Mar. 8, 2018, 7 pages.
Uxcell Vehicle Car Tray—Amazon.com listing accessed May 8, 2017.

* cited by examiner

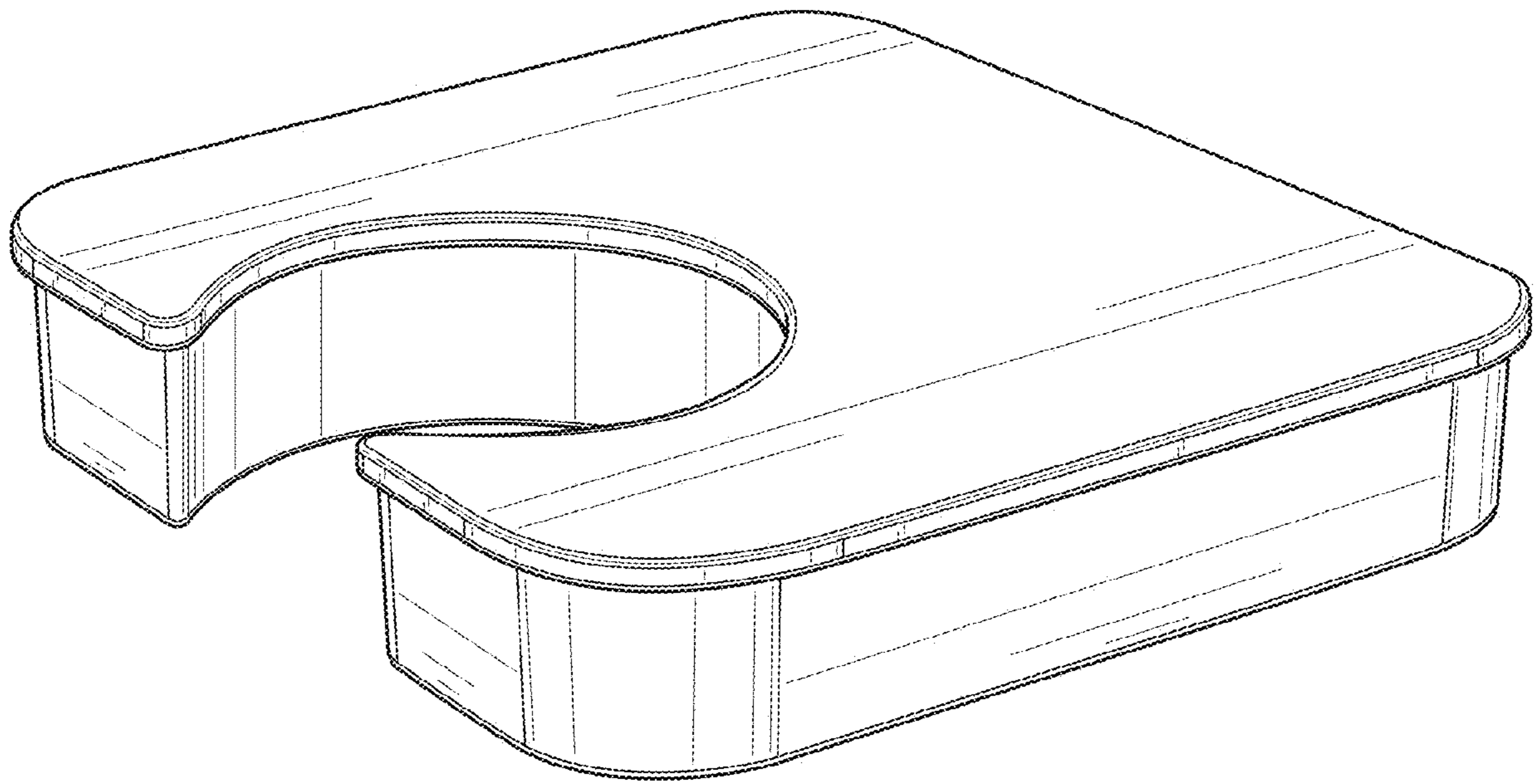


FIG. 1

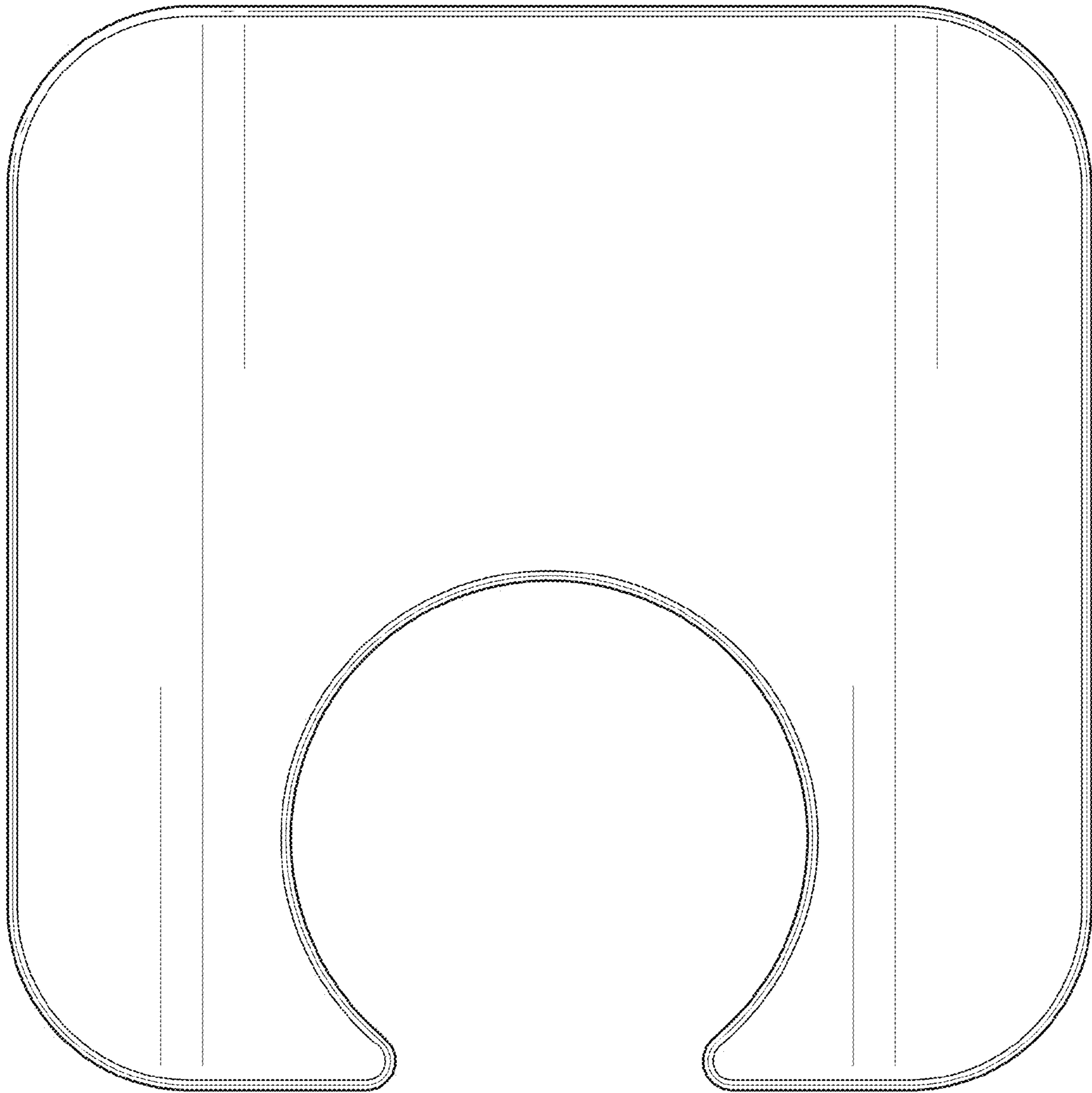


FIG. 2

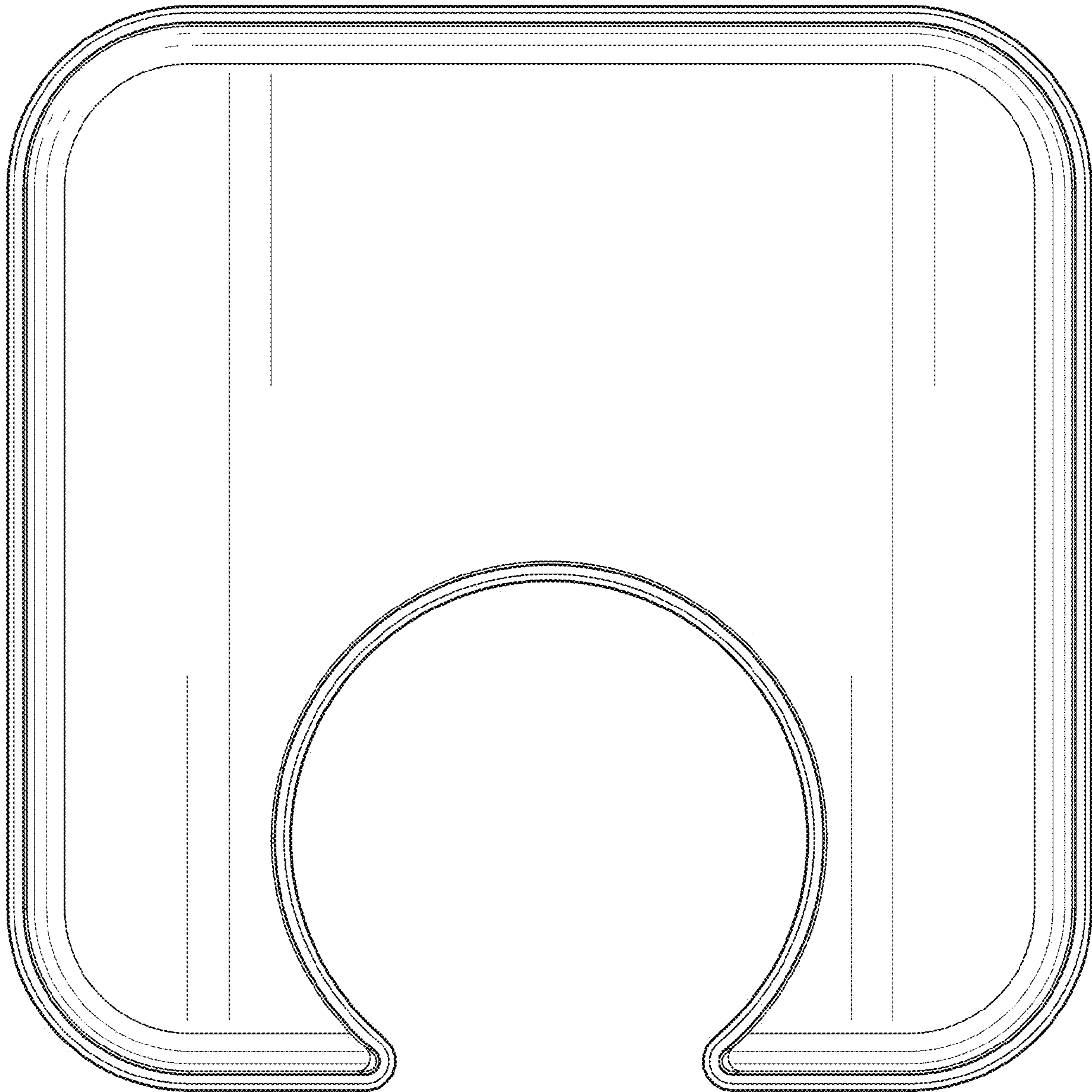


FIG. 3

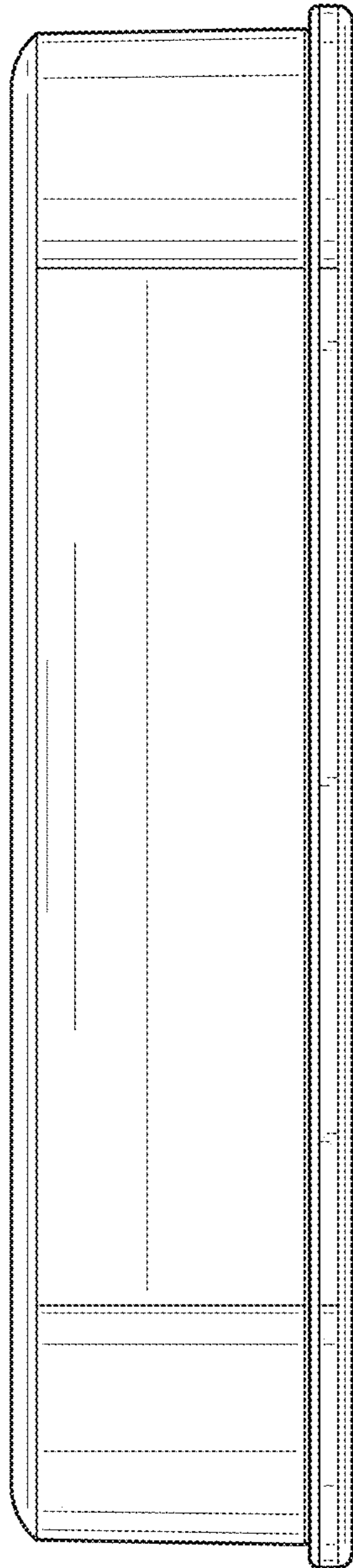


FIG. 4

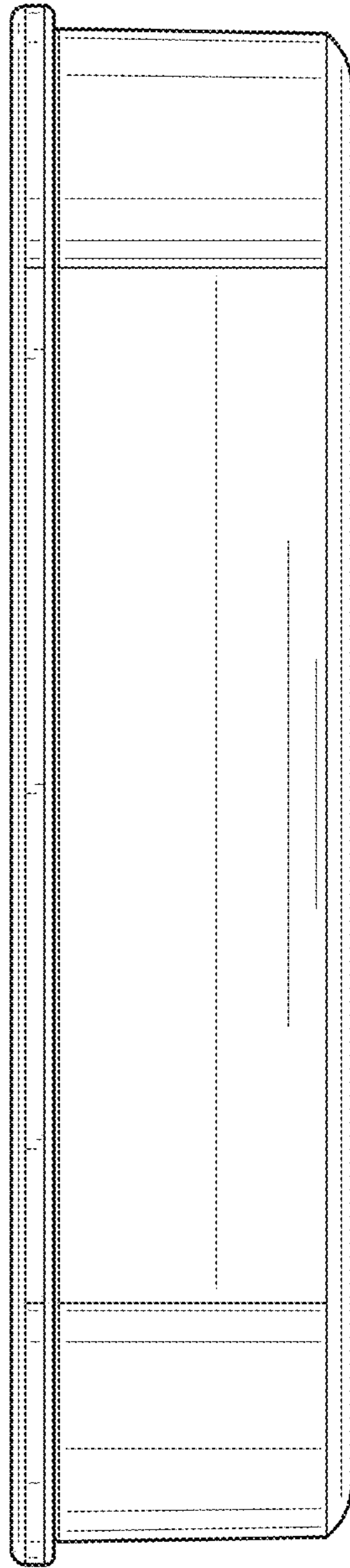


FIG. 5

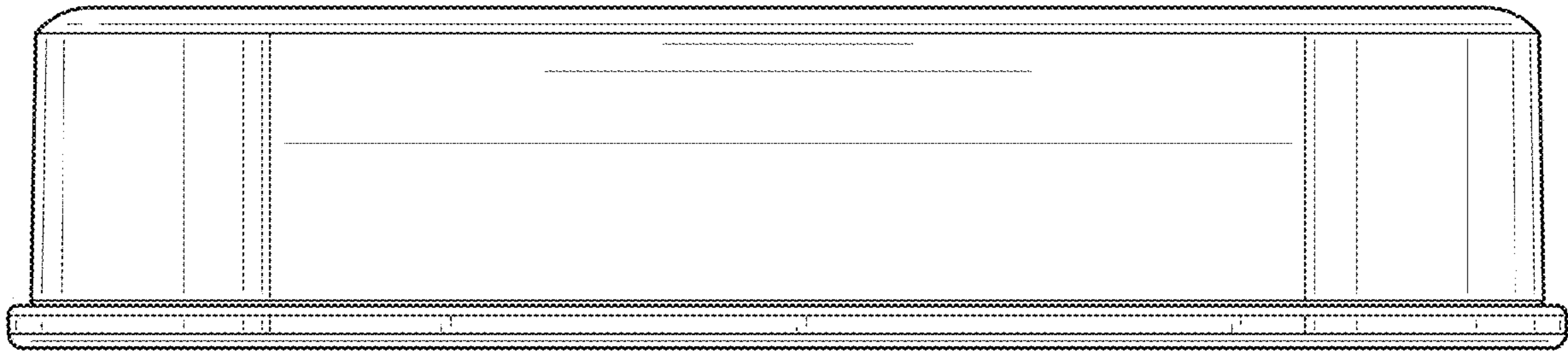


FIG. 6

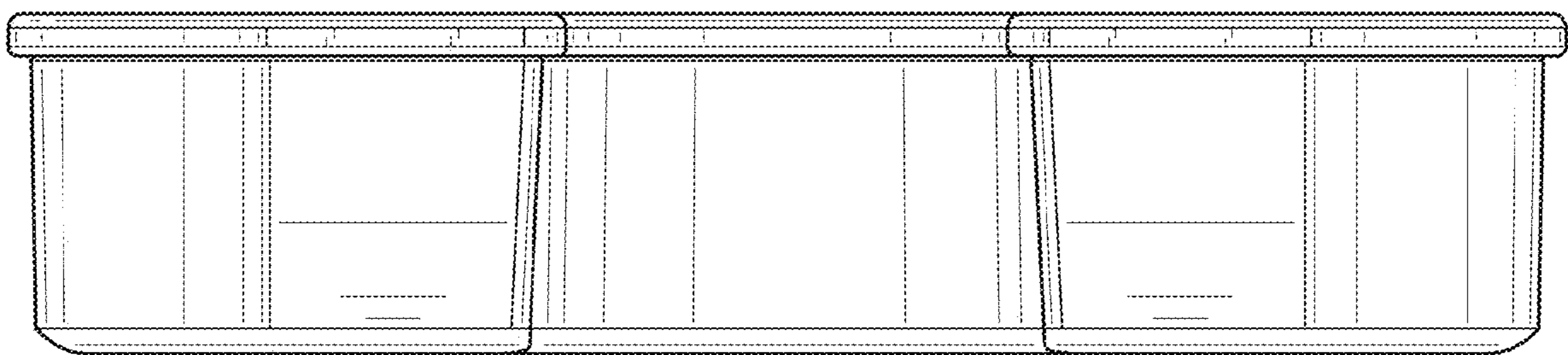


FIG. 7

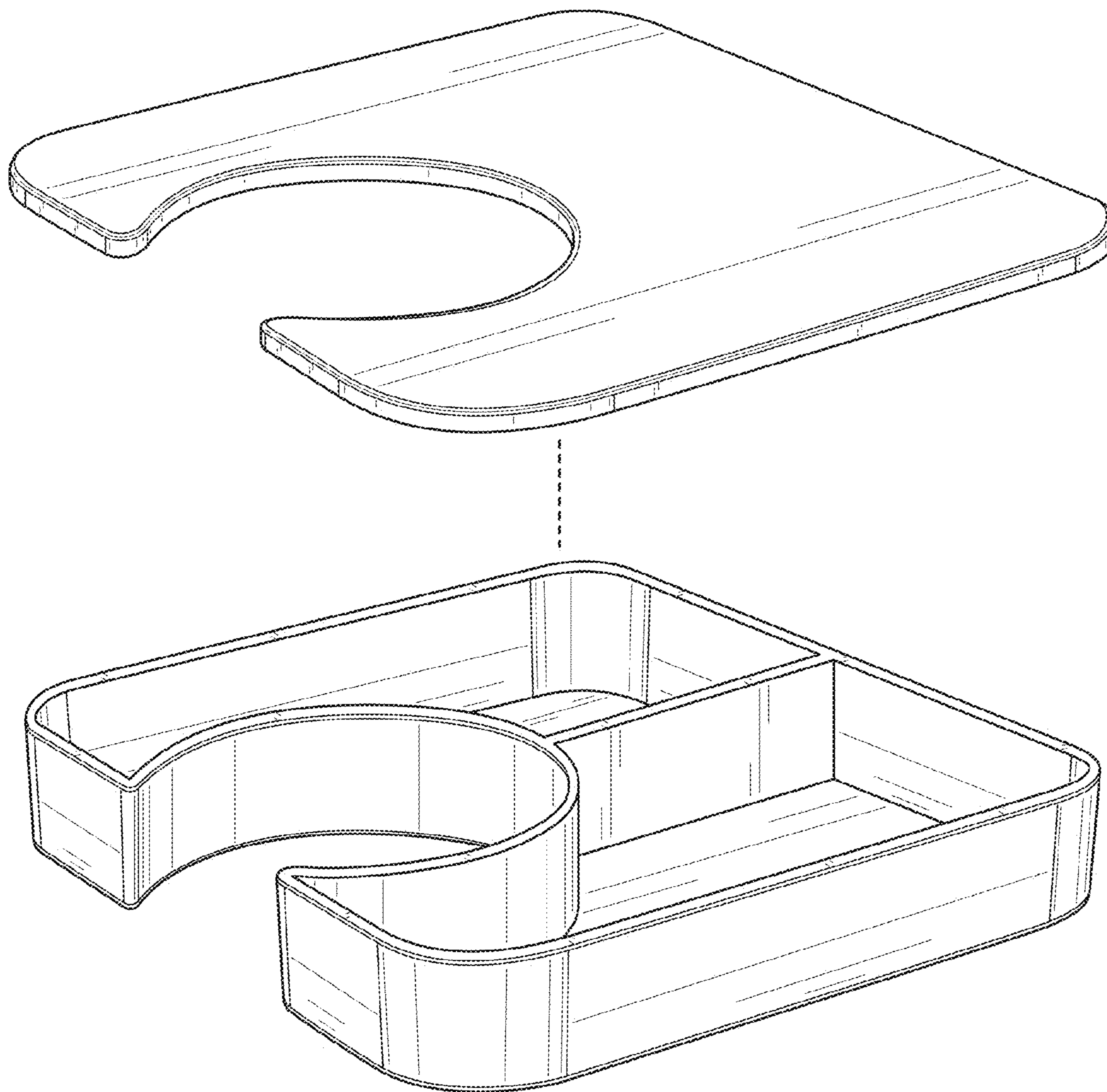


FIG. 8

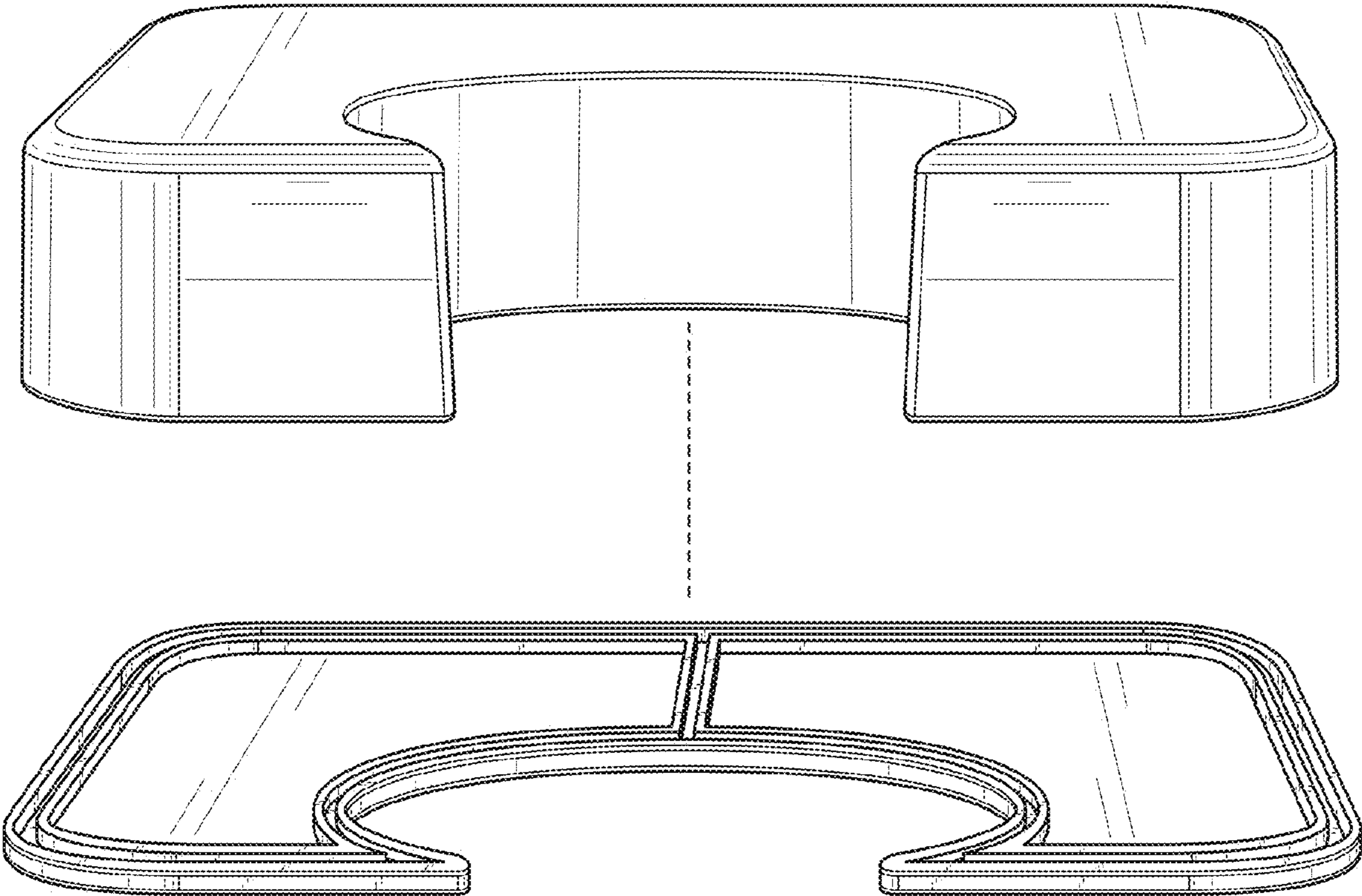


FIG. 9