



US00D888506S

(12) **United States Design Patent**  
**Yang**

(10) **Patent No.:** **US D888,506 S**

(45) **Date of Patent:** **\*\* Jun. 30, 2020**

(54) **SQUARE PAIL**

(71) Applicant: **ANJI CHANGHONG CHAIN MANUFACTURING CO., LTD**, Anji (CN)

(72) Inventor: **Weibo Yang**, Anji (CN)

(73) Assignee: **ANJI CHANGHONG CHAIN MANUFACTURING CO., LTD**, Anji (CN)

(\*\*) Term: **15 Years**

(21) Appl. No.: **29/650,317**

(22) Filed: **Jun. 5, 2018**

(51) **LOC (12) Cl.** ..... **07-01**

(52) **U.S. Cl.**  
USPC ..... **D7/629; D32/53**

(58) **Field of Classification Search**  
USPC ..... D7/602, 603, 605, 612, 614, 629;  
D3/201, 203.1, 272, 273, 276, 294, 302,  
D3/304; D9/414, 420, 423, 424, 425,  
D9/431, 432; D34/1

CPC .... B65D 21/00; B65D 21/02; B65D 21/0201;  
B65D 21/0212; B65D 21/0215; B65D  
21/0216; B65D 21/0217

See application file for complete search history.

(56) **References Cited**

**U.S. PATENT DOCUMENTS**

4,260,069 A \* 4/1981 Juergens ..... B65D 43/0202  
220/812

5,673,811 A \* 10/1997 Dickinson ..... B65D 43/02  
220/345.4

D515,313 S \* 2/2006 Uffner ..... D3/273  
D540,992 S \* 4/2007 Fick ..... D3/294  
D554,302 S \* 10/2007 Fick ..... D3/294  
D590,668 S \* 4/2009 Kim ..... D7/629  
D628,020 S \* 11/2010 Lim ..... D7/629  
10,077,138 B2 \* 9/2018 Albrecht ..... B65D 21/0212  
D867,708 S \* 11/2019 Bergman ..... D32/53.1  
2012/0132558 A1 \* 5/2012 Busch ..... B65D 21/062  
206/503

\* cited by examiner

*Primary Examiner* — Derrick E Holland

*Assistant Examiner* — Andrew Kerr

(57) **CLAIM**

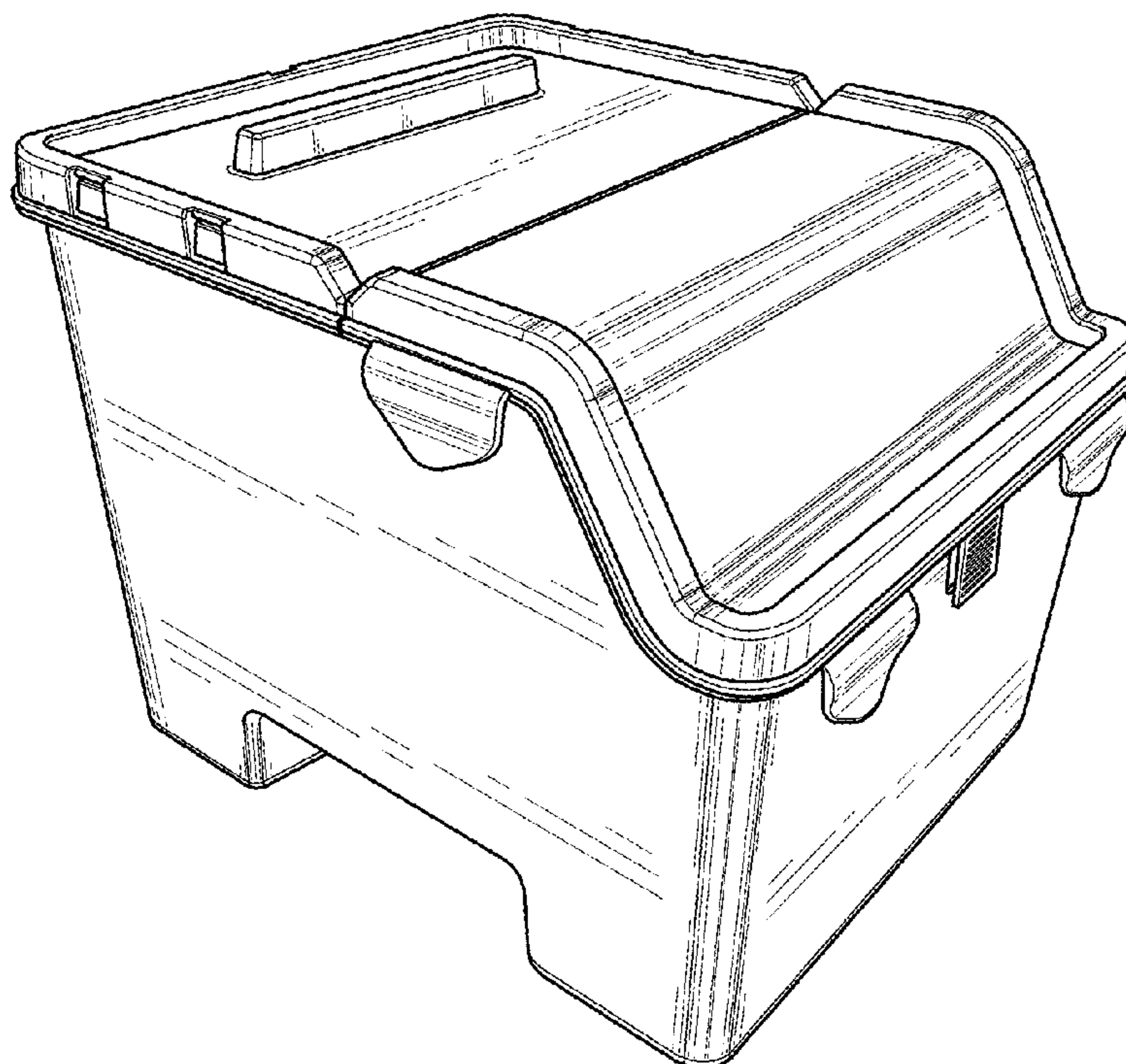
The ornamental design for a square pail, as shown and described.

**DESCRIPTION**

FIG. 1 is a perspective view of a square pail showing my new design;  
FIG. 2 is a left view thereof;  
FIG. 3 is a right view thereof;  
FIG. 4 is a front view thereof;  
FIG. 5 is a rear view thereof;  
FIG. 6 is a bottom view thereof; and,  
FIG. 7 is a top view thereof.

The broken lines in the drawings depict portions of the square pail that form no part of the claimed design.

**1 Claim, 7 Drawing Sheets**



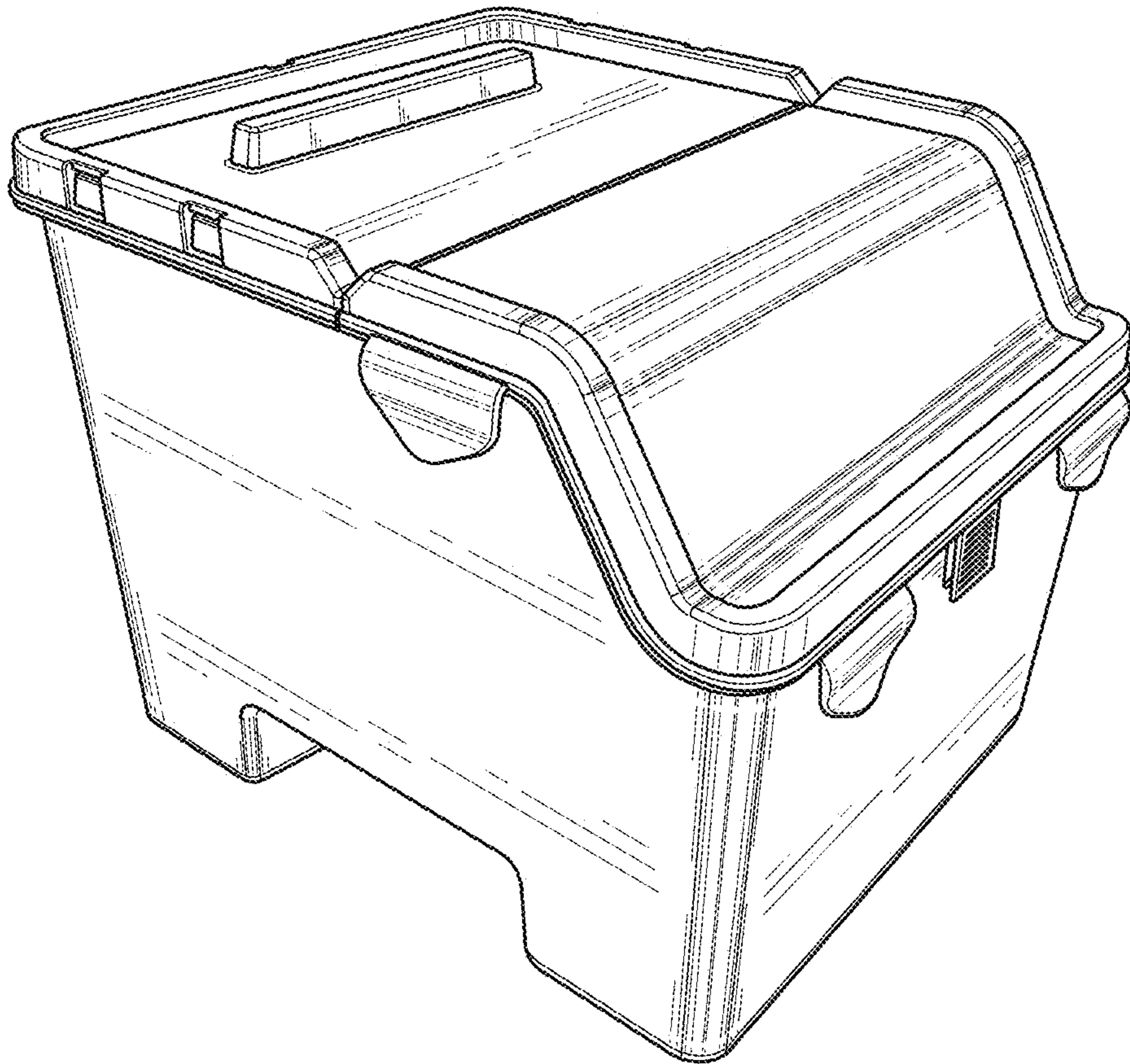


FIG. 1

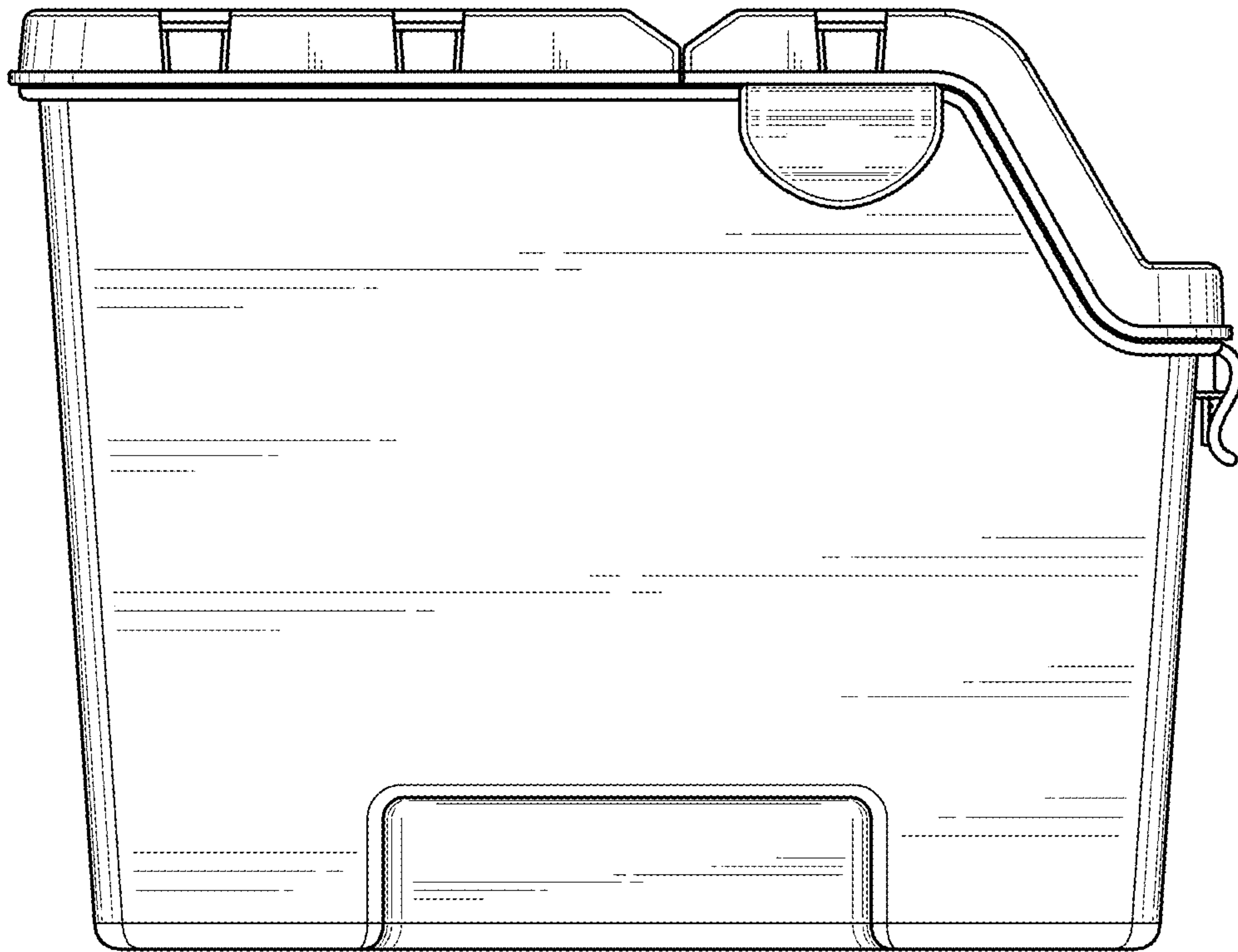


FIG. 2

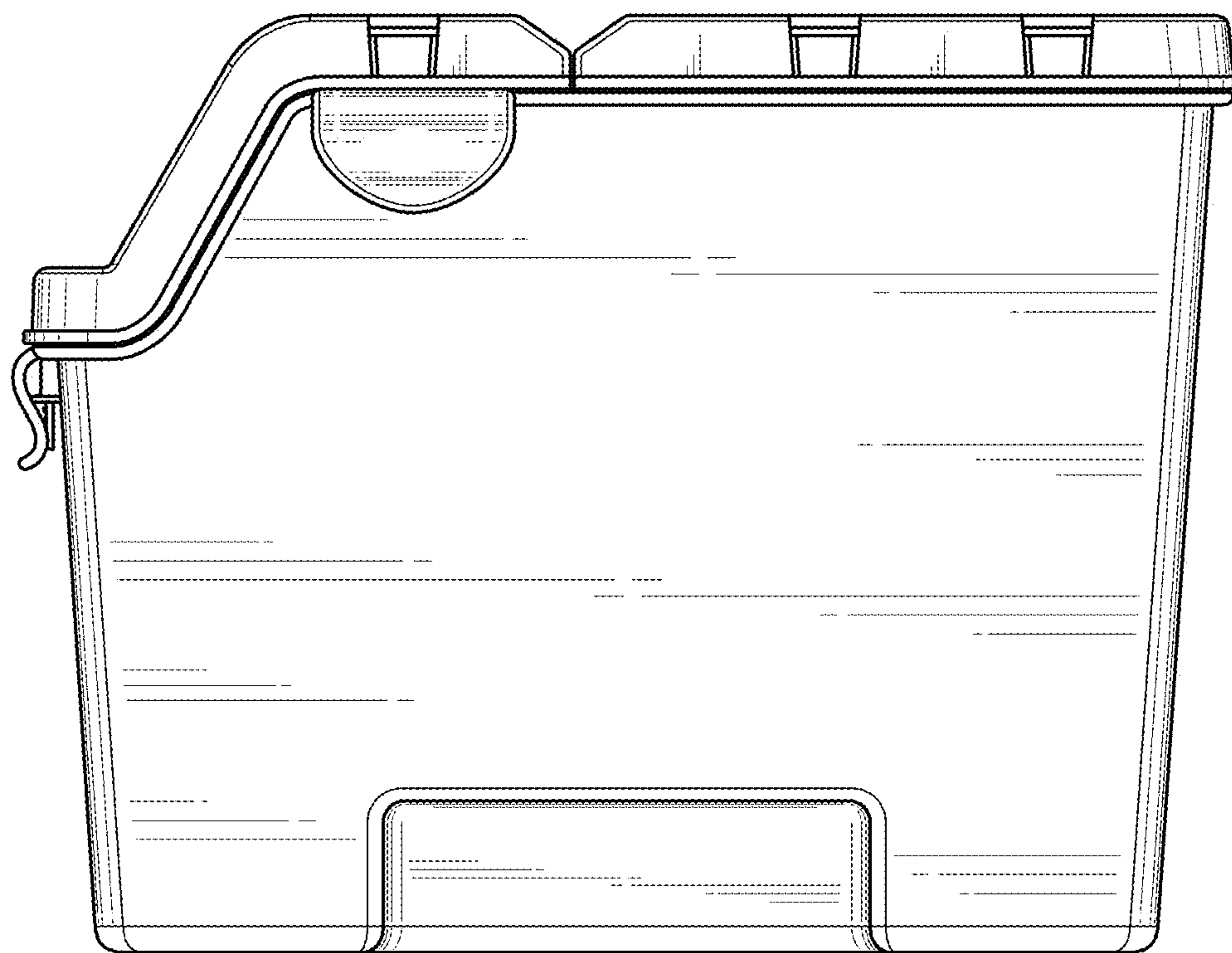


FIG. 3



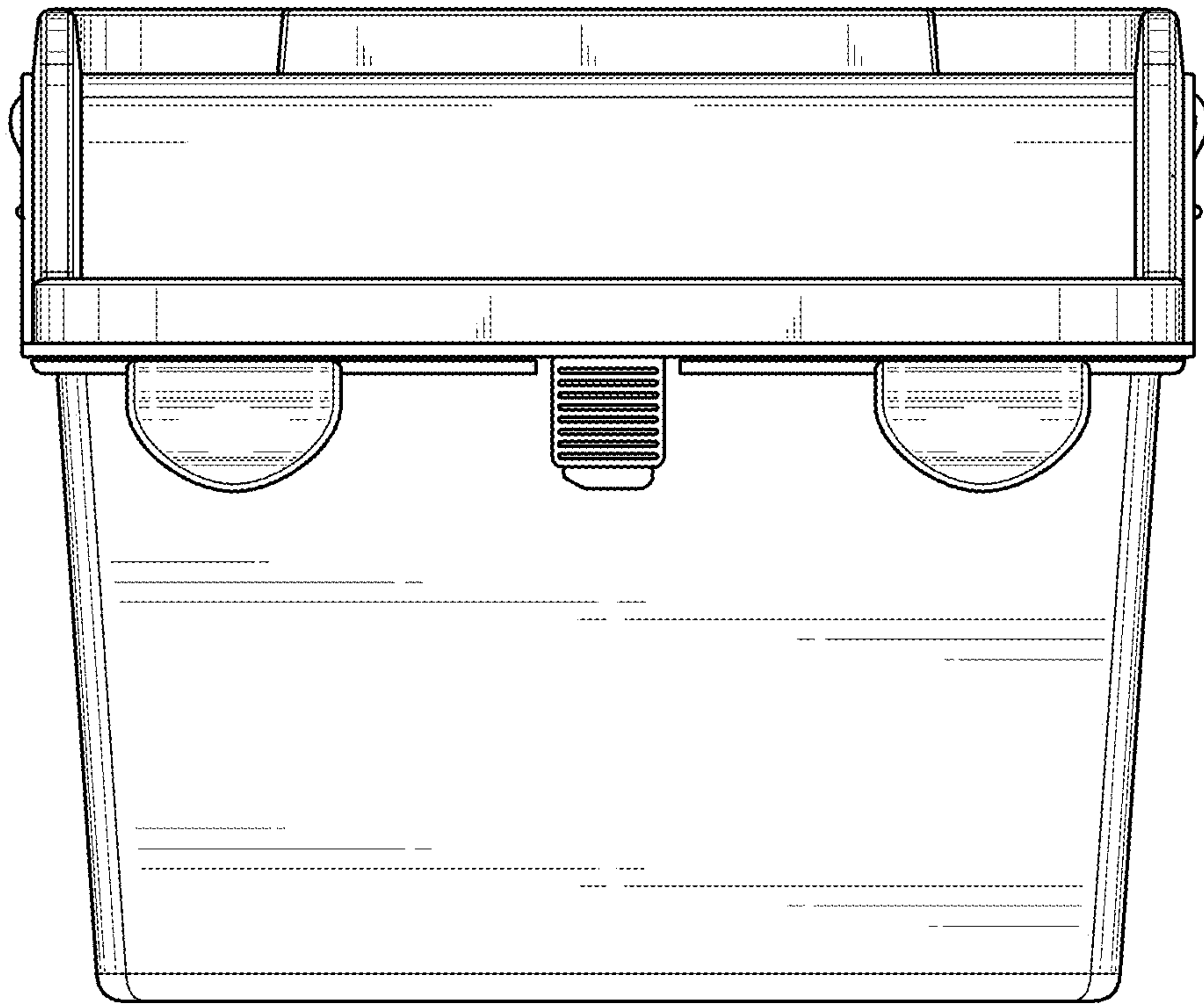


FIG. 4

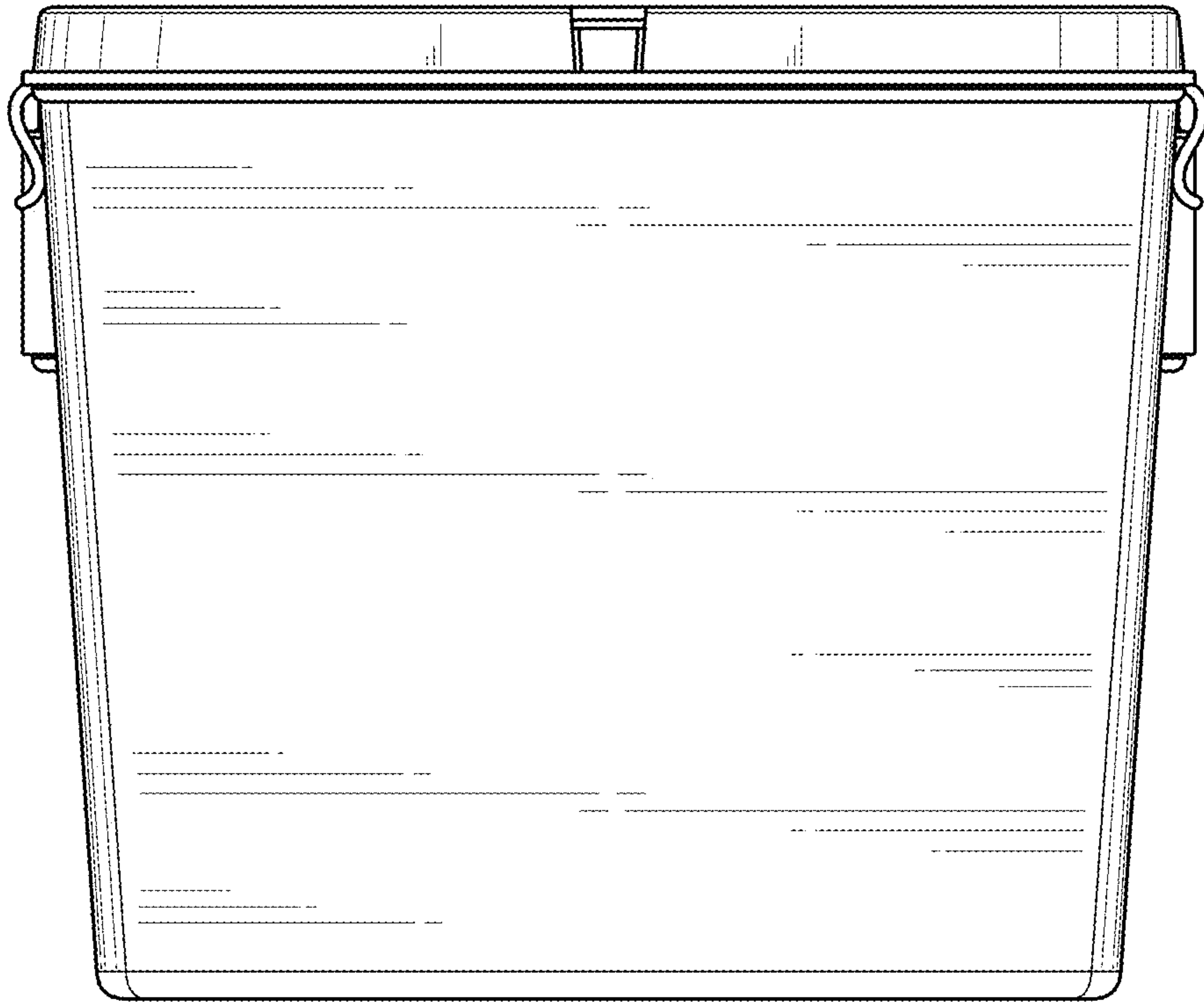


FIG. 5

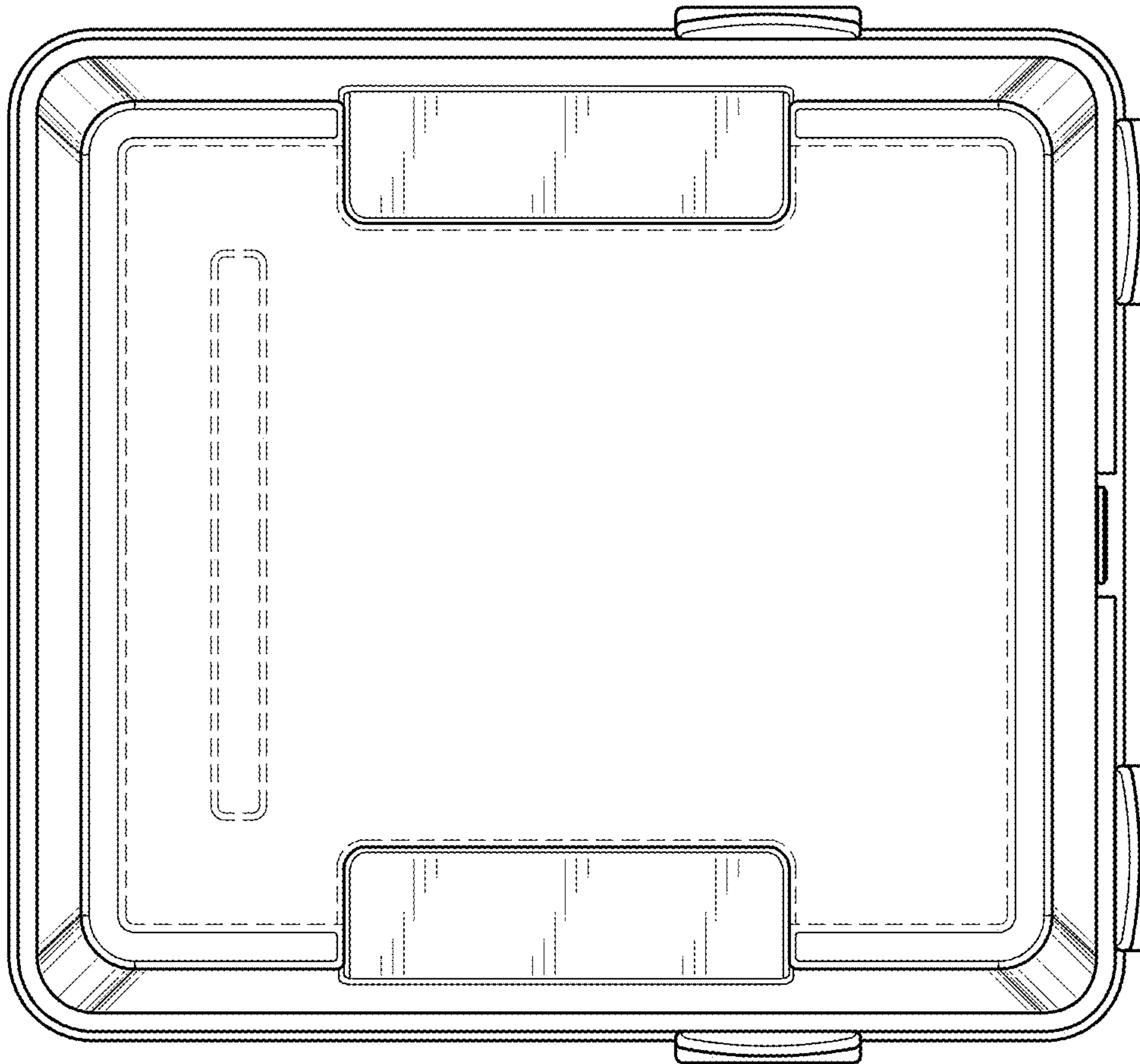


FIG. 6

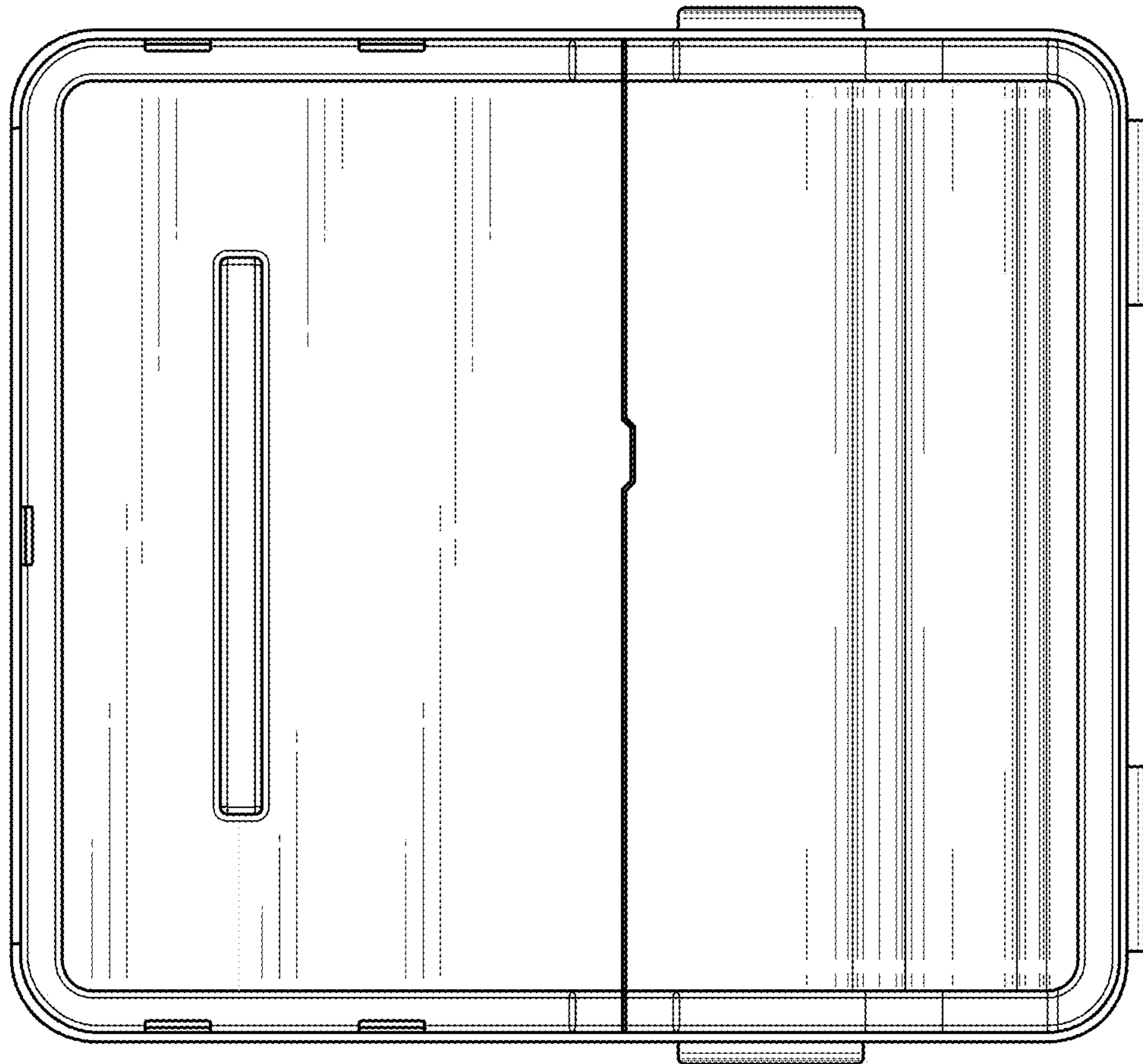


FIG. 7