



US00D888504S

(12) **United States Design Patent**
Mitchell et al.

(10) **Patent No.: US D888,504 S**

(45) **Date of Patent: ** Jun. 30, 2020**

(54) **BEVERAGE COOLER**

(71) Applicants: **Chase Mitchell**, Los Angeles, CA (US);
Brian Bloch, Los Angeles, CA (US)

(72) Inventors: **Chase Mitchell**, Los Angeles, CA (US);
Brian Bloch, Los Angeles, CA (US)

(**) Term: **15 Years**

(21) Appl. No.: **29/725,931**

(22) Filed: **Feb. 27, 2020**

(51) **LOC (12) Cl.** **07-01**

(52) **U.S. Cl.**
USPC **D7/608**

(58) **Field of Classification Search**

USPC D7/619.1-625, 509, 523, 605-608
CPC A47J 41/02; A47J 41/0077; A47J 41/0061;
B65D 23/08; B65D 23/104; B65D
81/3886; B65D 81/3876; B65D 81/3879;
B65D 81/3865; B65D 81/3881; B65D
81/3883; B65D 81/3874; F25D 3/08;
F25D 2331/805; F25D 2331/803; A45C
11/20; A47G 23/0216; A47G 23/0208;
A47G 23/0291; A47G 23/02; A47G
23/0266
See application file for complete search history.

(56) **References Cited**

U.S. PATENT DOCUMENTS

3,285,456 A * 11/1966 Pewitt A47G 23/0241
215/395
4,870,837 A * 10/1989 Weins B65D 81/3883
62/457.4

5,467,891 A * 11/1995 Perry B65D 81/3886
220/739
D427,020 S * 6/2000 Hansen D7/606
D727,688 S * 4/2015 Hewitt D7/608
D805,854 S * 12/2017 Waskow D7/608
2012/0018442 A1* 1/2012 Bollis B65D 81/3876
220/739

* cited by examiner

Primary Examiner — Terry A Wallace

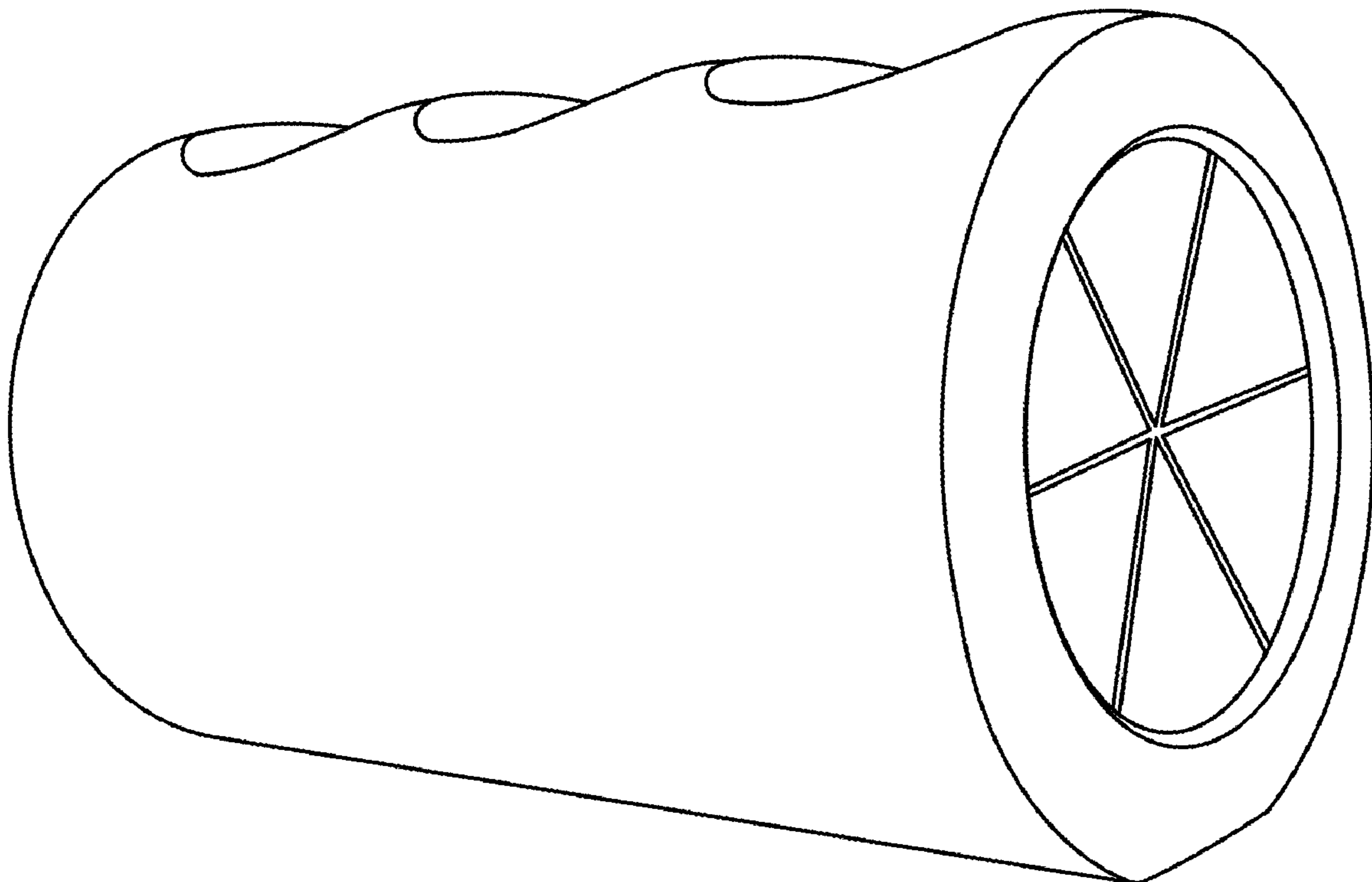
(57) **CLAIM**

The ornamental design for the beverage cooler, as shown and described.

DESCRIPTION

FIG. 1 is an isometric view of the beverage cooler, showing my new design;
FIG. 2 is a top view thereof;
FIG. 3 is a bottom view thereof;
FIG. 4 is a front view thereof;
FIG. 5 is a rear view thereof; and,
FIG. 6 is a left side view thereof, the right side view therefor being identical.

1 Claim, 6 Drawing Sheets



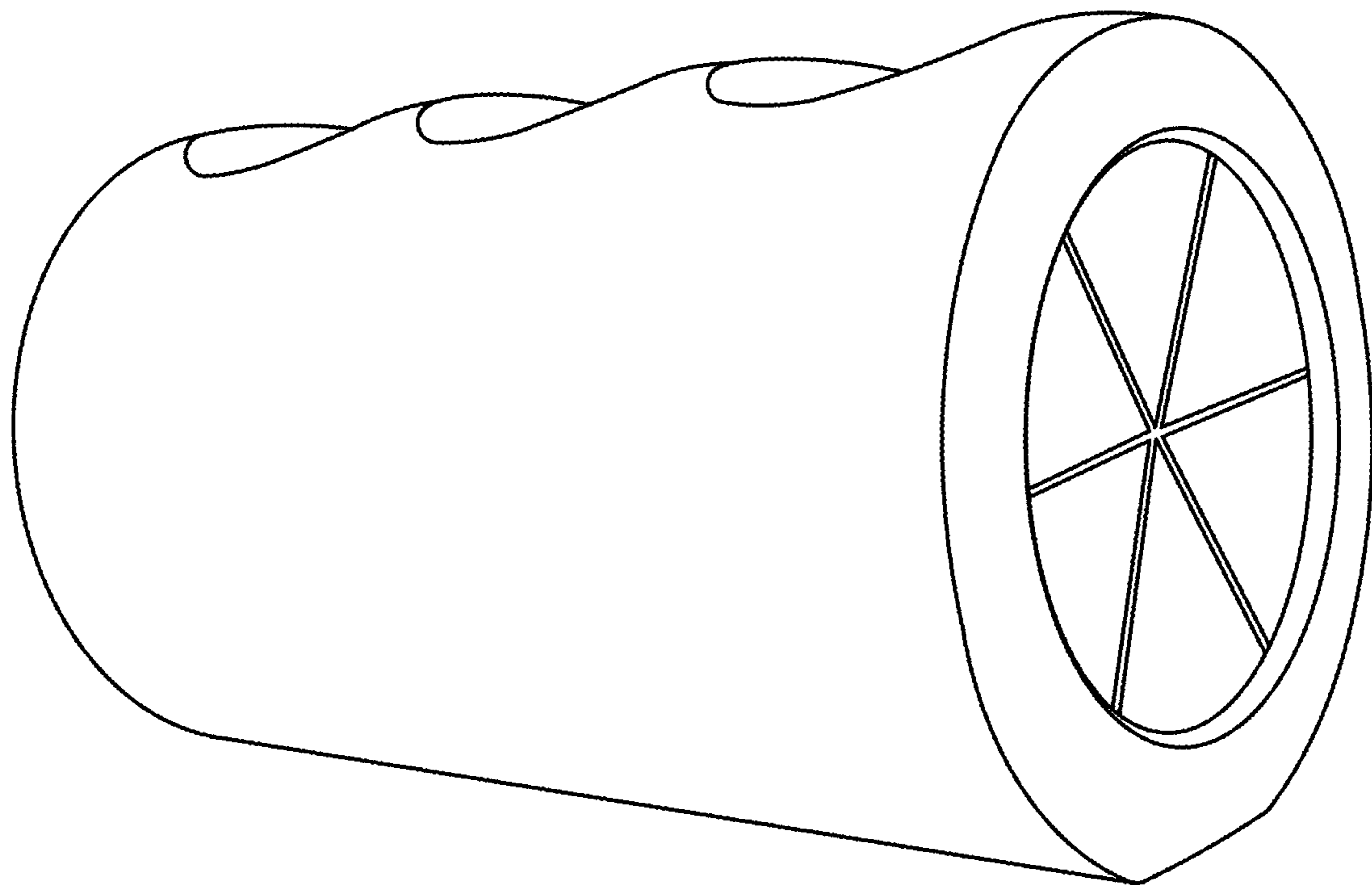


FIG. 1

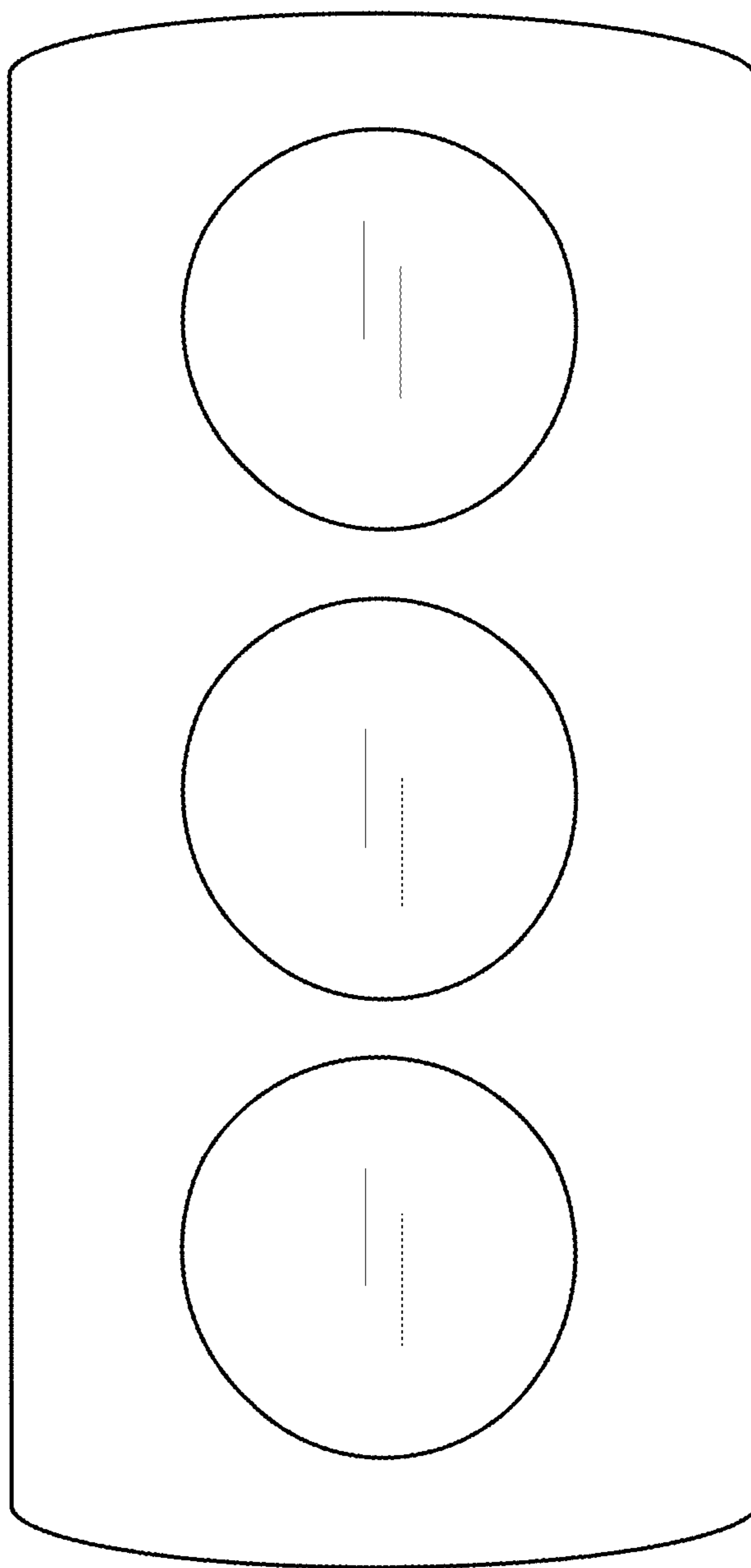


FIG. 2

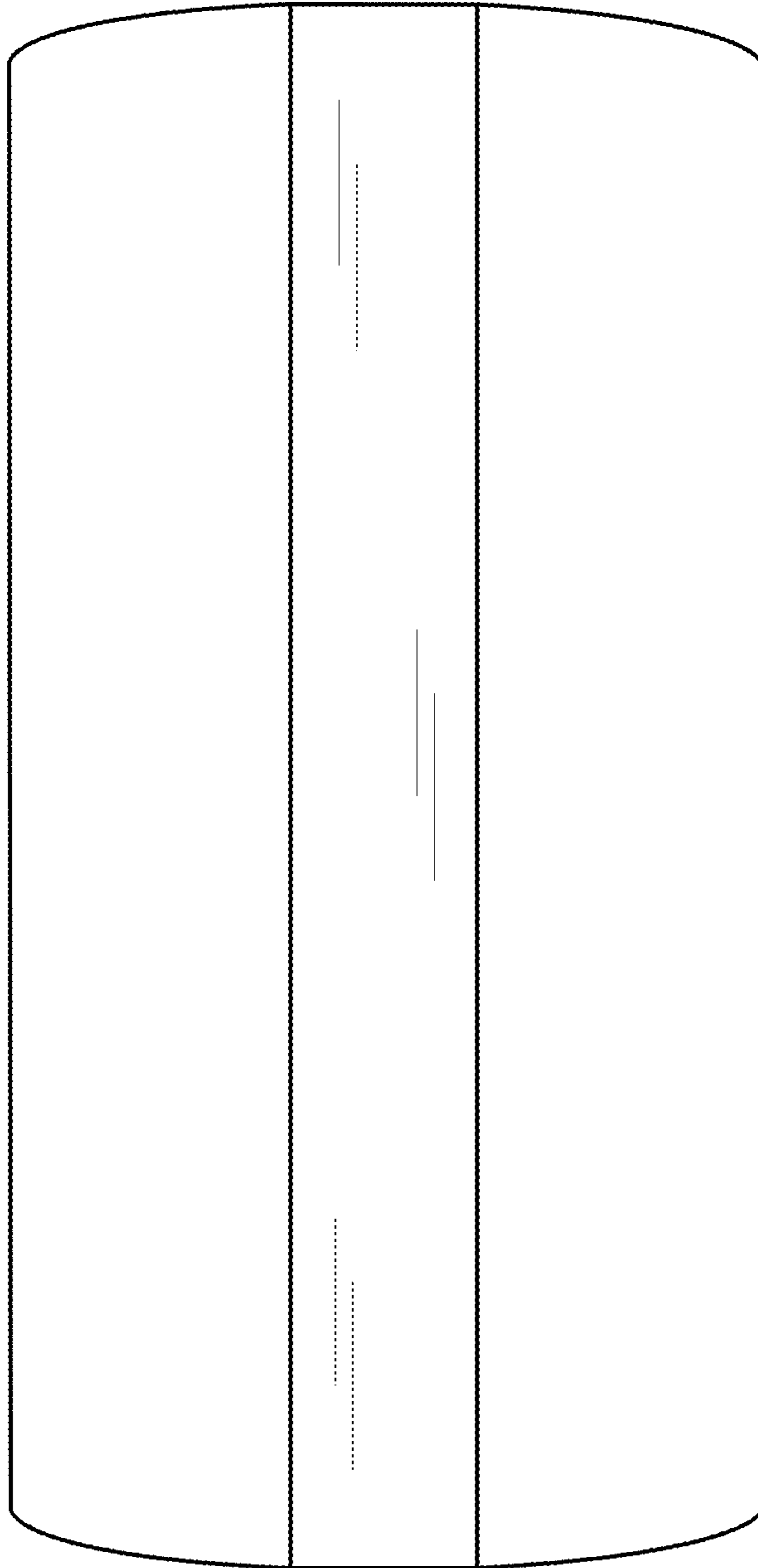


FIG. 3

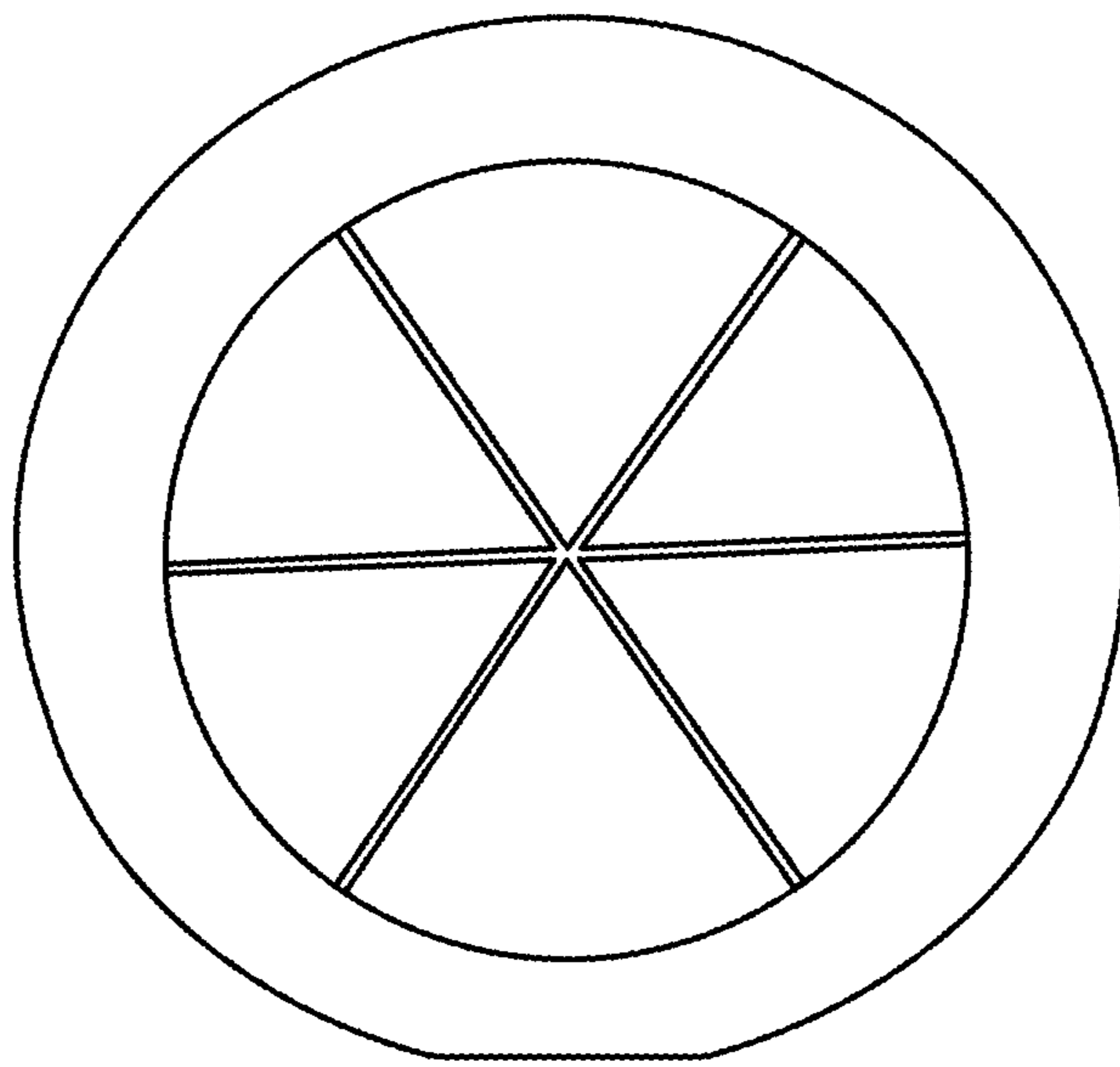


FIG. 4

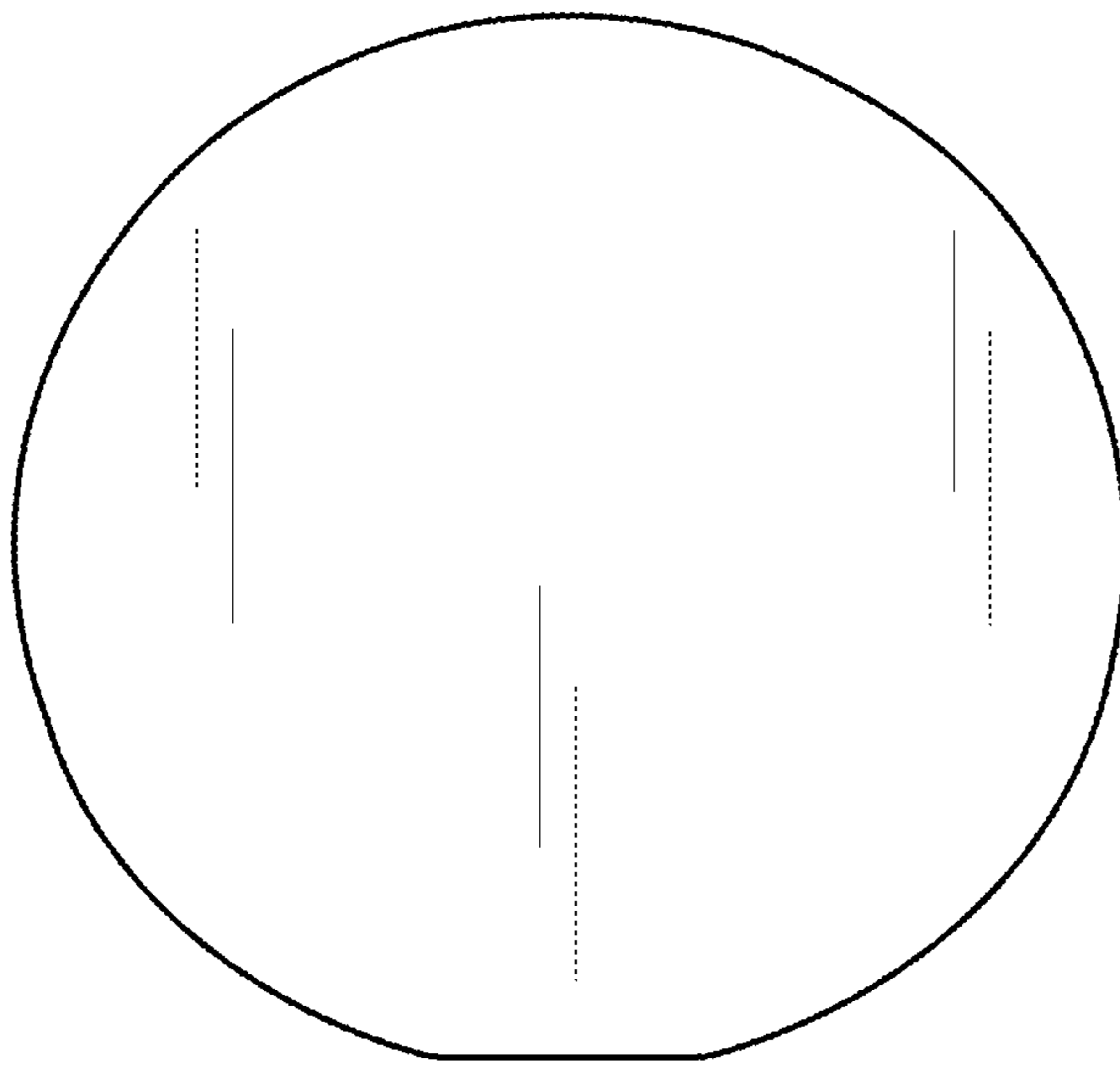


FIG. 5

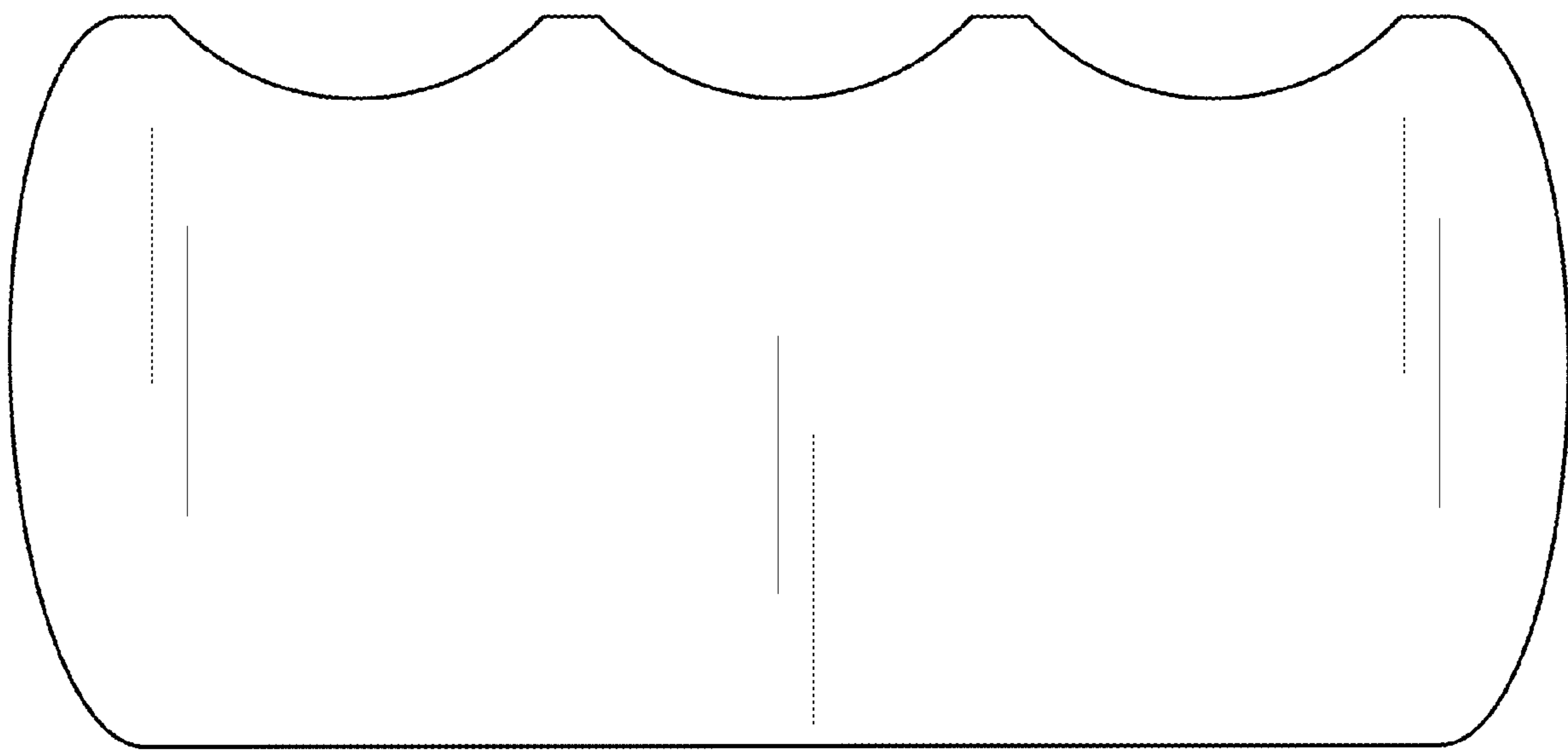


FIG. 6