



US00D888503S

(12) **United States Design Patent** (10) **Patent No.:** **US D888,503 S**
Meda et al. (45) **Date of Patent:** **** Jun. 30, 2020**

(54) **COOLER** D281,695 S * 12/1985 Ryan, Jr. D7/605
4,637,222 A 1/1987 Fujiwara et al.
(71) Applicant: **Dometic Sweden AB**, Solna (SE) 4,708,598 A 11/1987 Sugita et al.
4,889,257 A 12/1989 Steffes
(72) Inventors: **Samuele Meda**, Solna (SE); **Joakim**
Ahlström, Täby (SE) D337,232 S * 7/1993 Kahl D7/605
5,226,294 A 7/1993 Mayer
5,407,218 A 4/1995 Jackson
(73) Assignee: **Dometic Sweden AB**, Solna (SE) D374,772 S * 10/1996 Hotaling D3/273
5,676,296 A 10/1997 Masters
(Continued)

(**) Term: **15 Years**

(21) Appl. No.: **29/670,885**

(22) Filed: **Nov. 20, 2018**

FOREIGN PATENT DOCUMENTS

AU 201712770 5/2017
AU 201712799 5/2017

(Continued)

Related U.S. Application Data

(63) Continuation of application No. 29/604,426, filed on May 17, 2017, now Pat. No. Des. 836,994.

(51) **LOC (12) Cl.** **07-01**

(52) **U.S. Cl.**
USPC **D7/605**

(58) **Field of Classification Search**
USPC D7/603–608, 629, 630; D3/272–274,
D3/201, 202–206, 203.1–203.8
CPC .. A45C 11/20; A45C 9/00; A45C 5/14; A45C
5/03; F25B 19/00; F25D 3/08; F25D
3/14; F25D 2331/804; A47J 41/022;
A47G 19/2288; B65D 81/3886; B65D
81/3834; B65D 81/3897; B65D 81/3823;
B65D 81/3813; B65D 81/3888; B65D
81/3858; A47B 77/08

See application file for complete search history.

(56) **References Cited**

U.S. PATENT DOCUMENTS

2,734,353 A 2/1956 Hill
3,894,405 A 7/1975 Mielitz
4,024,731 A 5/1977 Branscum
4,403,929 A 9/1983 Nagasaku et al.

OTHER PUBLICATIONS

Australian Patent Application No. AU201716789 filed Nov. 8, 2017.

(Continued)

Primary Examiner — Terry A Wallace

(74) *Attorney, Agent, or Firm* — Middleton Reutlinger

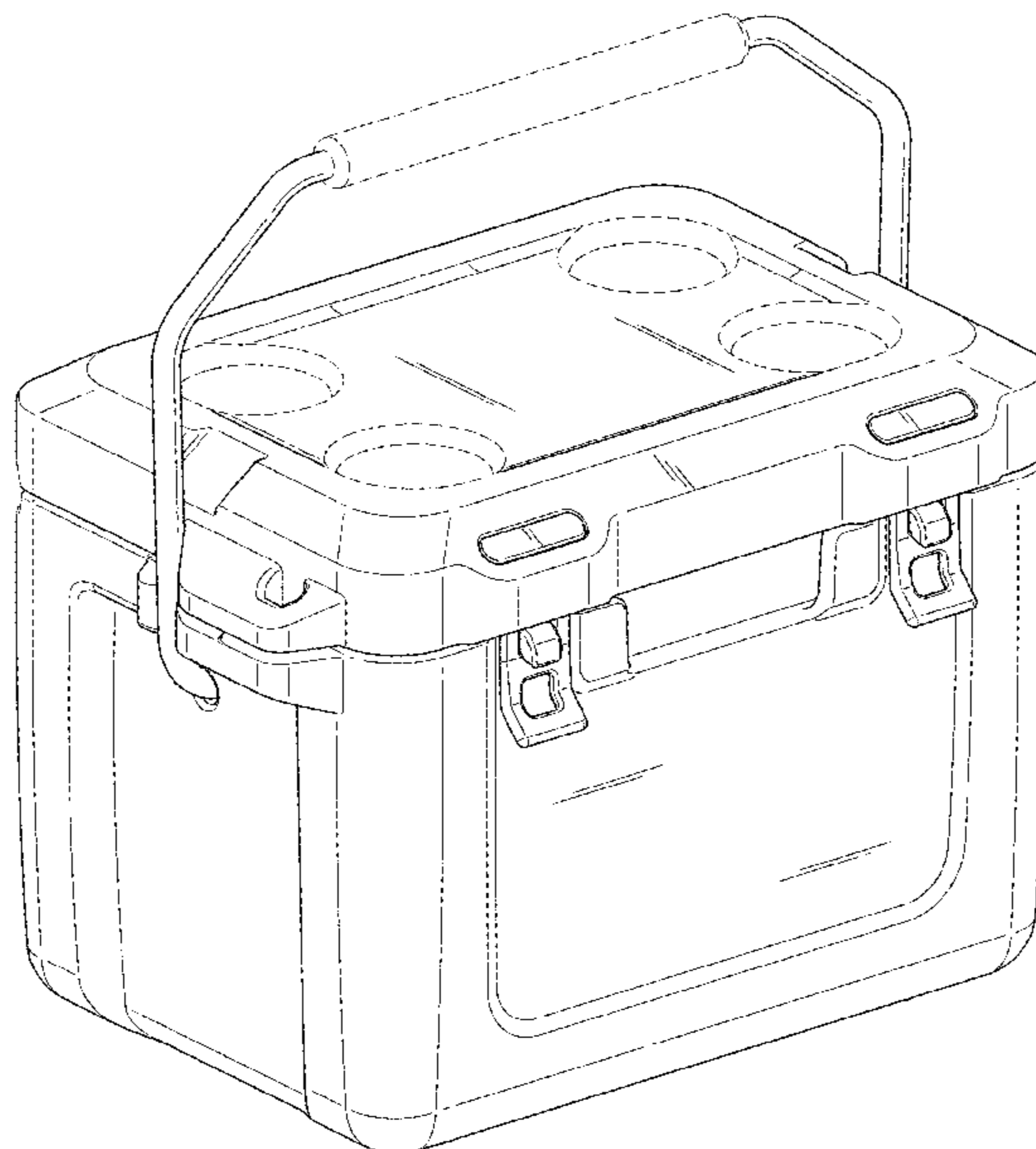
(57) **CLAIM**

The ornamental design for a cooler, as shown and described.

DESCRIPTION

FIG. 1 is a perspective view of a cooler design;
FIG. 2 is a front elevation view of the design of FIG. 1;
FIG. 3 is a rear elevation view of the design of FIG. 1;
FIG. 4 is a top plan view of the design of FIG. 1;
FIG. 5 is a bottom plan view of the design of FIG. 1;
FIG. 6 is a right side elevation view of the design of FIG. 1;
and,
FIG. 7 is a left side elevation view of the design of FIG. 1.
The broken line disclosure represents unclaimed portions of
the cooler in which the design is embodied.

1 Claim, 7 Drawing Sheets



(56)

References Cited

U.S. PATENT DOCUMENTS

5,738,238 A 4/1998 Yang
 D400,053 S * 10/1998 Coffee D7/605
 5,860,281 A * 1/1999 Coffee A45C 11/20
 62/3.62
 D416,447 S * 11/1999 Levy D7/605
 6,079,599 A 6/2000 Nordstrom et al.
 D429,606 S 8/2000 Israel et al.
 D429,966 S 8/2000 Israel et al.
 D451,765 S 12/2001 Israel et al.
 D454,292 S 3/2002 Plummer et al.
 6,474,097 B2 11/2002 Treppedi et al.
 D494,021 S * 8/2004 Huthmaker D7/605
 D497,517 S 10/2004 Reuter
 D500,057 S 12/2004 Reuter
 6,938,791 B2 9/2005 Robertson et al.
 D512,039 S 11/2005 Kim et al.
 7,082,380 B2 7/2006 Weibe et al.
 D527,225 S * 8/2006 Krieger D7/605
 7,140,507 B2 11/2006 Maldonado et al.
 7,143,601 B1 12/2006 Jimenez
 D534,771 S 1/2007 Zorn
 D545,633 S 7/2007 Hussaini et al.
 7,254,956 B2 8/2007 Matonog et al.
 D566,479 S 4/2008 Kabalin
 D566,633 S 4/2008 Kanno et al.
 7,389,608 B1 6/2008 Mackay
 7,392,737 B2 7/2008 Mayorca
 7,415,794 B1 8/2008 Thompson
 D603,664 S 11/2009 Roefs et al.
 7,722,204 B1 5/2010 Sandberg
 7,878,013 B2 2/2011 Matsuno et al.
 7,913,849 B2 3/2011 Pedrazzi et al.
 7,984,997 B1 7/2011 Sandberg
 D642,830 S 8/2011 Buckles et al.
 D646,528 S 10/2011 Stallman et al.
 D652,262 S 1/2012 Yang et al.
 8,104,800 B2 1/2012 Lorek
 8,210,702 B1 7/2012 Sandberg
 8,312,816 B2 11/2012 Vaccarella
 8,356,712 B2 1/2013 Piazza, Jr.
 8,511,846 B1 8/2013 Sandberg
 D712,720 S 9/2014 Seiders
 D712,721 S 9/2014 Seiders
 D712,722 S 9/2014 Seiders
 D712,723 S 9/2014 Seiders
 D714,125 S 9/2014 Seiders
 8,910,819 B2 12/2014 Seiders
 8,939,476 B2 1/2015 Tang
 D722,474 S 2/2015 Seiders
 D722,475 S 2/2015 Seiders
 D732,348 S 6/2015 Seiders et al.
 D732,349 S 6/2015 Seiders et al.
 D732,350 S 6/2015 Seiders et al.
 D732,899 S 6/2015 Seiders et al.
 9,052,131 B2 6/2015 Reimann et al.
 9,139,352 B2 9/2015 Seiders et al.
 9,163,871 B1 10/2015 Costello
 D743,773 S 11/2015 Shah et al.
 9,187,232 B2 11/2015 Seiders
 9,220,250 B1 12/2015 Davis
 D747,950 S 1/2016 Jacobsen et al.
 D747,951 S 1/2016 Jacobsen et al.
 9,232,290 B2 1/2016 Besay
 D748,452 S 2/2016 Jacobsen et al.
 D750,953 S 3/2016 Jacobsen et al.
 D752,347 S 3/2016 Seiders et al.
 9,297,548 B2 3/2016 Mijanovic et al.
 9,320,938 B1 4/2016 Belmore
 D756,513 S 5/2016 Cheney
 D759,590 S 6/2016 Wang
 9,366,467 B2 6/2016 Kiedaisch et al.
 D779,306 S 2/2017 Finkelstein et al.
 D792,486 S 7/2017 Li et al.
 D802,028 S 11/2017 Li
 D802,029 S 11/2017 Li

D802,630 S 11/2017 Li et al.
 9,878,841 B2 1/2018 Holderness et al.
 D820,049 S 6/2018 Ahlström
 D826,027 S 8/2018 Carey et al.
 D835,948 S 12/2018 Jacobsen
 D836,402 S 12/2018 Jacobsen
 D836,993 S 1/2019 Meda et al.
 D836,994 S 1/2019 Meda et al.
 D844,386 S 4/2019 Ahlström
 D844,412 S 4/2019 Von Holzhausen et al.
 2004/0178208 A1 9/2004 Leba et al.
 2006/0169691 A1 8/2006 Rothschild
 2009/0139245 A1 6/2009 Blackway et al.
 2009/0314018 A1 12/2009 Burchill et al.
 2010/0251750 A1 10/2010 Lifson et al.
 2011/0030399 A1 2/2011 Lifson et al.
 2011/0041523 A1 2/2011 Taras et al.
 2011/0162395 A1 7/2011 Chakiachvili et al.
 2011/0226785 A1 9/2011 Sakell
 2012/0011866 A1 1/2012 Scarcella et al.
 2012/0085123 A1 4/2012 Wasnievski da Silva et al.
 2012/0198866 A1 8/2012 Zeidner
 2012/0318006 A1 12/2012 Liu et al.
 2012/0318014 A1 12/2012 Huff et al.
 2013/0062356 A1 3/2013 Deka
 2014/0013789 A1 1/2014 Conrad et al.
 2014/0314607 A1 10/2014 Maeyama et al.
 2014/0338390 A1 11/2014 Pinto et al.
 2015/0000318 A1 1/2015 Pinto et al.
 2015/0008242 A1 1/2015 Kpabar
 2015/0021106 A1 1/2015 LaRosa
 2015/0114024 A1* 4/2015 Grepper B01F 7/0025
 62/320
 2015/0122827 A1 5/2015 Smith
 2015/0241107 A1 8/2015 Mech
 2015/0322698 A1 11/2015 Seiders
 2015/0353263 A1 12/2015 Seiders et al.
 2015/0357755 A1 12/2015 Hastings et al.
 2016/0046418 A1 2/2016 Crull
 2016/0101924 A1 4/2016 Mitchell et al.
 2016/0272047 A1 9/2016 Gan
 2017/0023290 A1 1/2017 DeMuth et al.
 2017/0305638 A1 10/2017 Sonntag et al.
 2018/0141718 A1 5/2018 Ahlström
 2019/0161240 A1 5/2019 Ahlström et al.

FOREIGN PATENT DOCUMENTS

AU 201712802 5/2017
 AU 201712803 5/2017
 AU 201712785 S 7/2017
 AU 201712791 S 11/2017
 AU 201716791 S 11/2017
 CA 1 249 731 A1 2/1989
 CN 1240728 A 1/2000
 CN 1498311 A 5/2004
 CN 1629478 A 6/2005
 CN 200985884 Y 12/2007
 CN 102257278 A 11/2011
 CN 102261334 A 11/2011
 CN 202066275 U 12/2011
 CN 103237990 A 8/2013
 CN 103963600 A 8/2014
 CN 104697279 A 6/2015
 CN 106062367 A 10/2016
 CN 304400680 S 12/2017
 DE 30 02 260 A1 7/1981
 DE 41 42 534 A1 7/1992
 EM 004006476-0001 5/2017
 EM 004006476-0002 5/2017
 EM 004006476-0003 5/2017
 EM 004007706-0001 5/2017
 EM 004007706-0002 5/2017
 EP 0 958 952 A1 11/1999
 EP 1 867 504 A2 12/2007
 JP H08-247601 A 9/1996
 SG 194217 A1 11/2013
 TH 66500 S 11/2018

(56)

References Cited

FOREIGN PATENT DOCUMENTS

WO	2006/009537	A1	1/2006
WO	2010/131061	A1	11/2010
WO	2018095957	A1	5/2018

OTHER PUBLICATIONS

Australian Patent Application No. AU201716791 filed Nov. 8, 2017.
 Dometic CF Portable Coolers, Dometic Product Catalog 2016.
 Dometic RV Refrigeration, Portable Freezers/Refrigerators, Dometic Product Catalog 2015.
 Chinese Design Patent Application No. 201730180150 entitled "Latch" filed May 16, 2017.
 Chinese Design Patent Application No. 201730180148.2 entitled "Refrigerating Apparatus" filed May 16, 2017.
 European Design Patent Application No. 003482694 entitled "Cooler" filed Nov. 25, 2016.
 Thailand Design Patent Application No. 1702001859 entitled "Cooler" filed May 22, 2017.
 Design U.S. Appl. No. 29/605,186 entitled Refrigerating Apparatus filed May 24, 2017.
 Design U.S. Appl. No. 29/585,272 entitled "Cooler" filed Nov. 22, 2016.
 Design U.S. Appl. No. 29/604,426 entitled Cooler filed May 17, 2017.
 Design U.S. Appl. No. 29/585,279 entitled "Latch" filed Nov. 22, 2016.
 Non-Final Rejection Mailed in U.S. Appl. No. 15/819,950 dated Oct. 1, 2019.
 Non-Final Rejection Mailed in U.S. Appl. No. 16/264,057 dated Oct. 3, 2019.
 Notice of Allowance and Fees Due received in Design U.S. Appl. No. 29/604,424 dated Aug. 10, 2018.
 Restriction Requirement received in Design U.S. Appl. No. 29/585,272 dated Oct. 2, 2017.
 Notice of Allowance received in Design U.S. Appl. No. 29/585,272 dated Jan. 26, 2018.
 Restriction Requirement received in Design U.S. Appl. No. 29/585,279 dated Feb. 8, 2019.
 Notice of Allowance received in Design U.S. Appl. No. 29/628,767 dated Nov. 6, 2018.
 Notice of Allowance received in Design U.S. Appl. No. 29/585,279 dated Sep. 26, 2019.
 Notice of Allowance and Fees Due received in Design U.S. Appl. No. 29/604,426 on Aug. 10, 2018.
 Design U.S. Appl. No. 29/670,888 entitled "Cooler" filed Nov. 20, 2018.
 Design U.S. Appl. No. 29/708,155 entitled "Latch" filed Oct. 3, 2019.

Design U.S. Appl. No. 29/708,156 entitled "Latch" filed Oct. 3, 2019.

U.S. Appl. No. 62/425,288 entitled "Cooler" filed Nov. 22, 2016.
 European Design Patent Application No. 003847557-0001 entitled "Smart Cooler" filed Apr. 7, 2017.

European Design Patent Application No. 003847557-0002 entitled "Smart Cooler" filed Apr. 7, 2017.

European Design Patent Application No. 003847557-0003 entitled "Smart Cooler" filed Apr. 7, 2017.

European Design Patent Application No. 003847557-0004 entitled "Smart Cooler" filed Apr. 7, 2017.

European Design Patent Application No. 003847557-0005 entitled "Smart Cooler" filed Apr. 7, 2017.

European Patent Office, International Search Report and Written Opinion for PCT/EP2017/080018 dated Jan. 25, 2018.

International Preliminary Report on Patentability for PCT/EP2017/080018 dated May 28, 2019.

Likchinlow "Igloo Announces Cooler with LiddUp LED Lighting System," Retrieved from Internet URL: https://www.ledinside.com/products/2015/1/igloo_announces_cooler_with_liddup_led_lighting_system, published on Jan. 12, 2015, pp. 3.

"Igloo Coolers," retrieved from Internet URL: <https://web.archive.org/web/20161026143451/https://www.igloocoolers.com/igloo-life/campaigns-party-on>, retrieved on Jun. 13, 2019, pp. 6.

"Liddup Coolers," retrieved from Internet URL: <https://web.archive.org/web/20161118120853/http://liddup.com/about.html>, retrieved on Jun. 13, 2019, pp. 5.

Australian Patent Application No. 2017365438 filed May 6, 2019 entitled "Cooler".

China Patent Application No. 201780072126.1 filed May 22, 2019 entitled "Cooler".

European Design Patent Application No. 003476415-0001 filed Nov. 22, 2016.

European Design Patent Application No. 003476415-0002 filed Nov. 22, 2016.

European Design Patent Application No. 003476415-0003 filed Nov. 22, 2016.

European Design Patent Application No. 003476415-0004 filed Nov. 22, 2016.

European Design Patent Application No. 003476415-0005 filed Nov. 22, 2016.

European Design Patent Application No. 003476415-0006 filed Nov. 22, 2016.

European Design Patent Application No. 003476415-0007 filed Nov. 22, 2016.

Notice of Allowance received in Design U.S. Appl. No. 29/670,888 dated Feb. 19, 2020.

Notice of Allowance received in Design U.S. Appl. No. 29/585,279 dated Apr. 22, 2020.

* cited by examiner

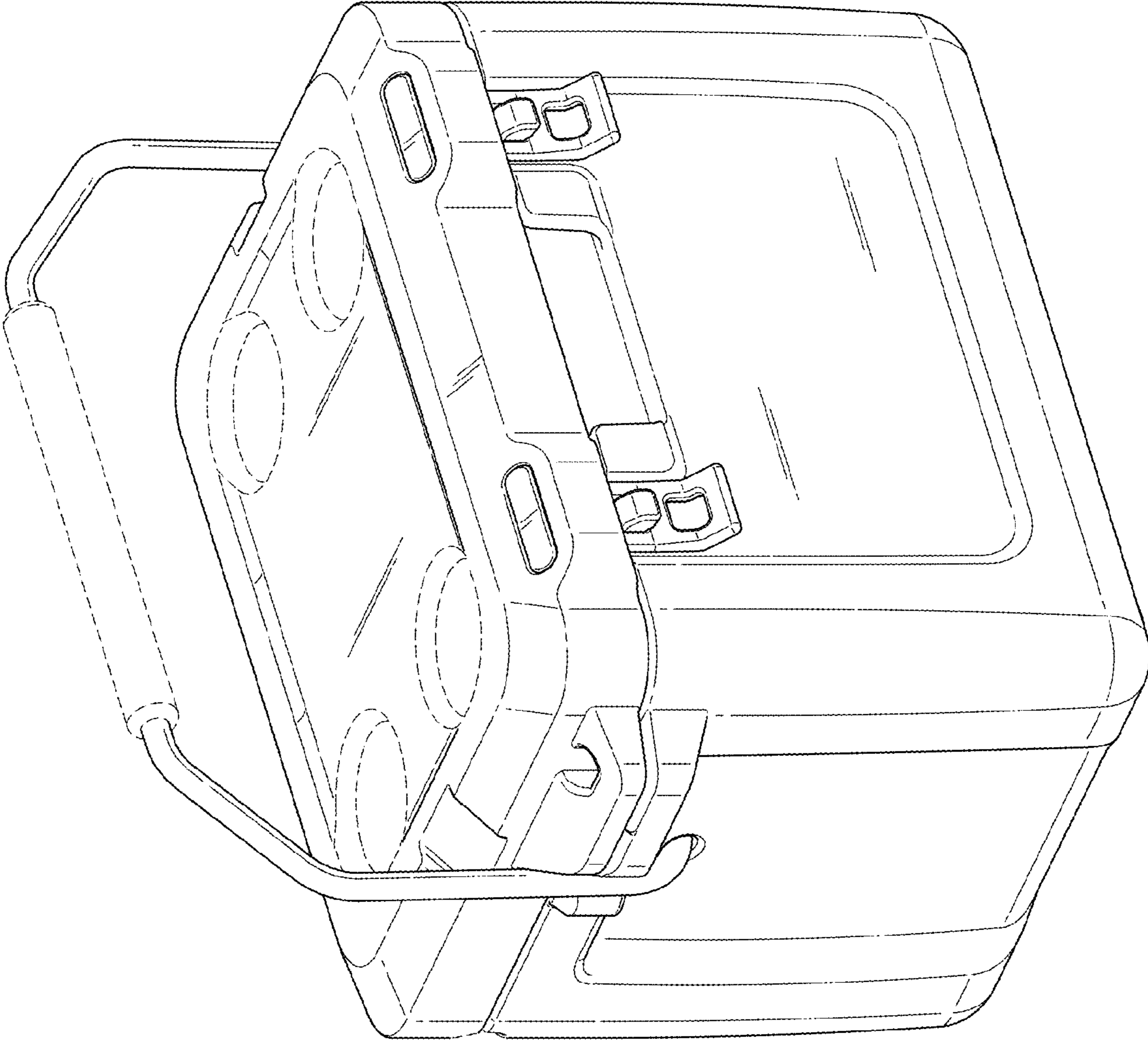


FIG. 1

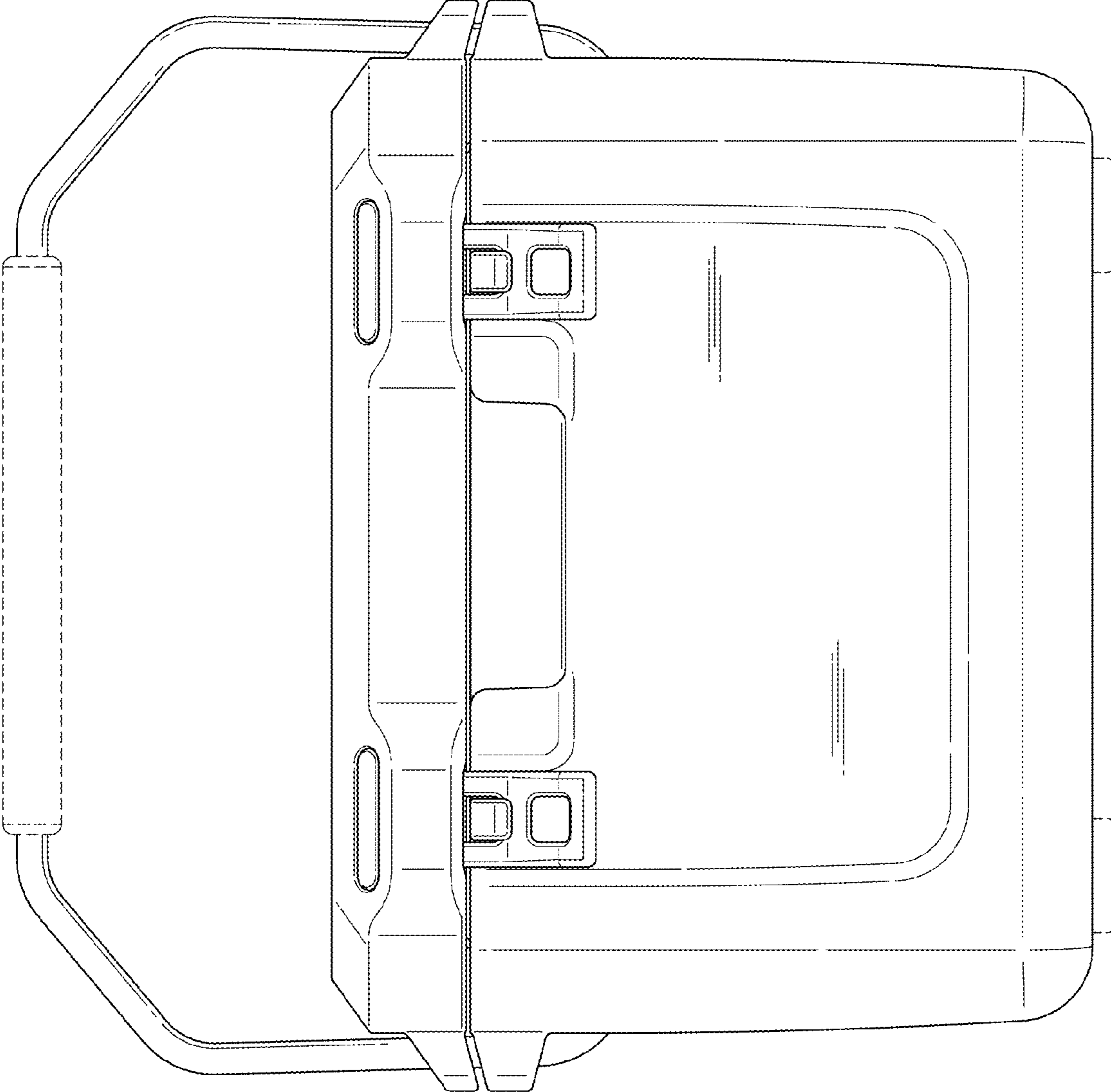


FIG. 2

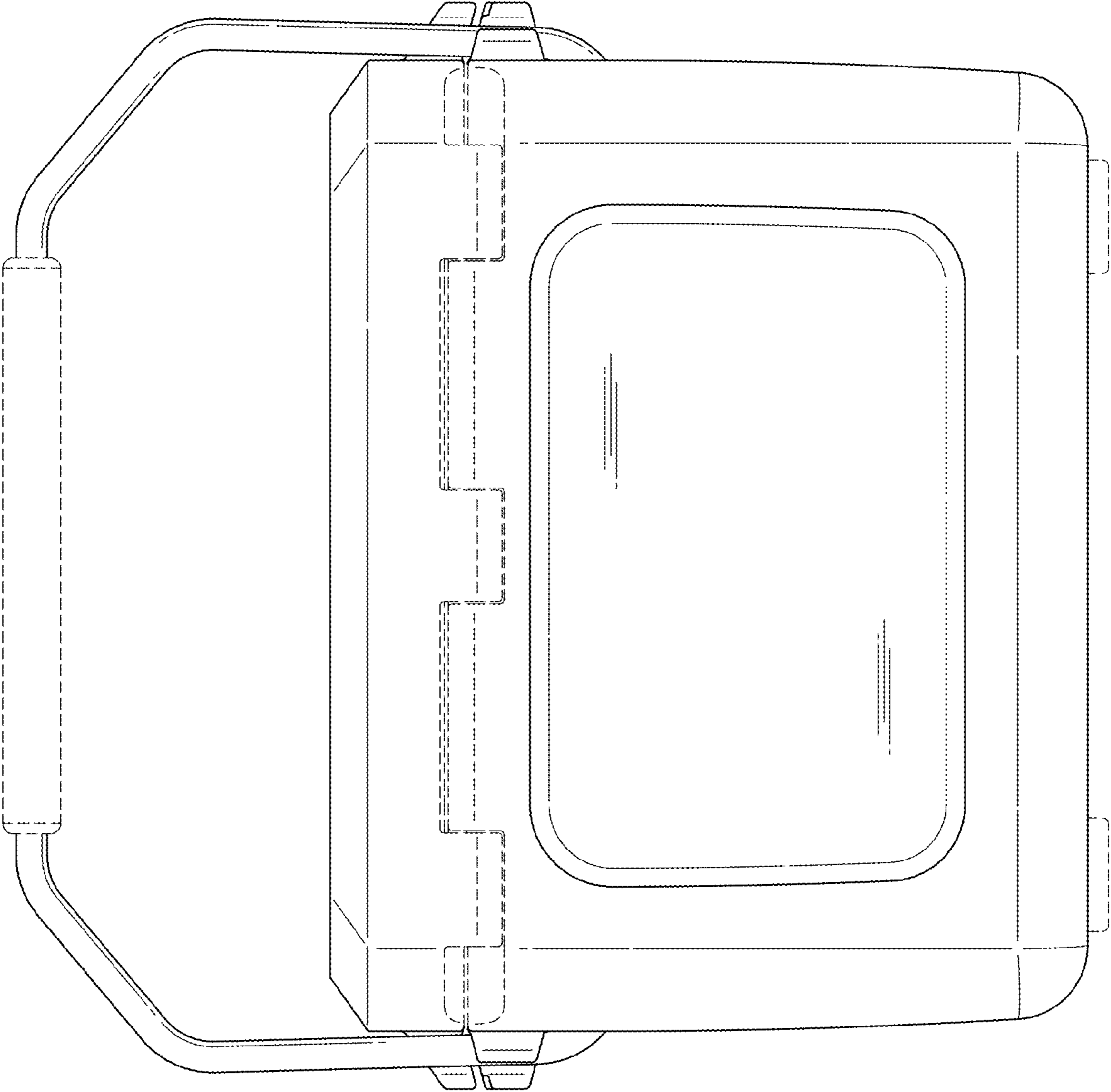


FIG. 3

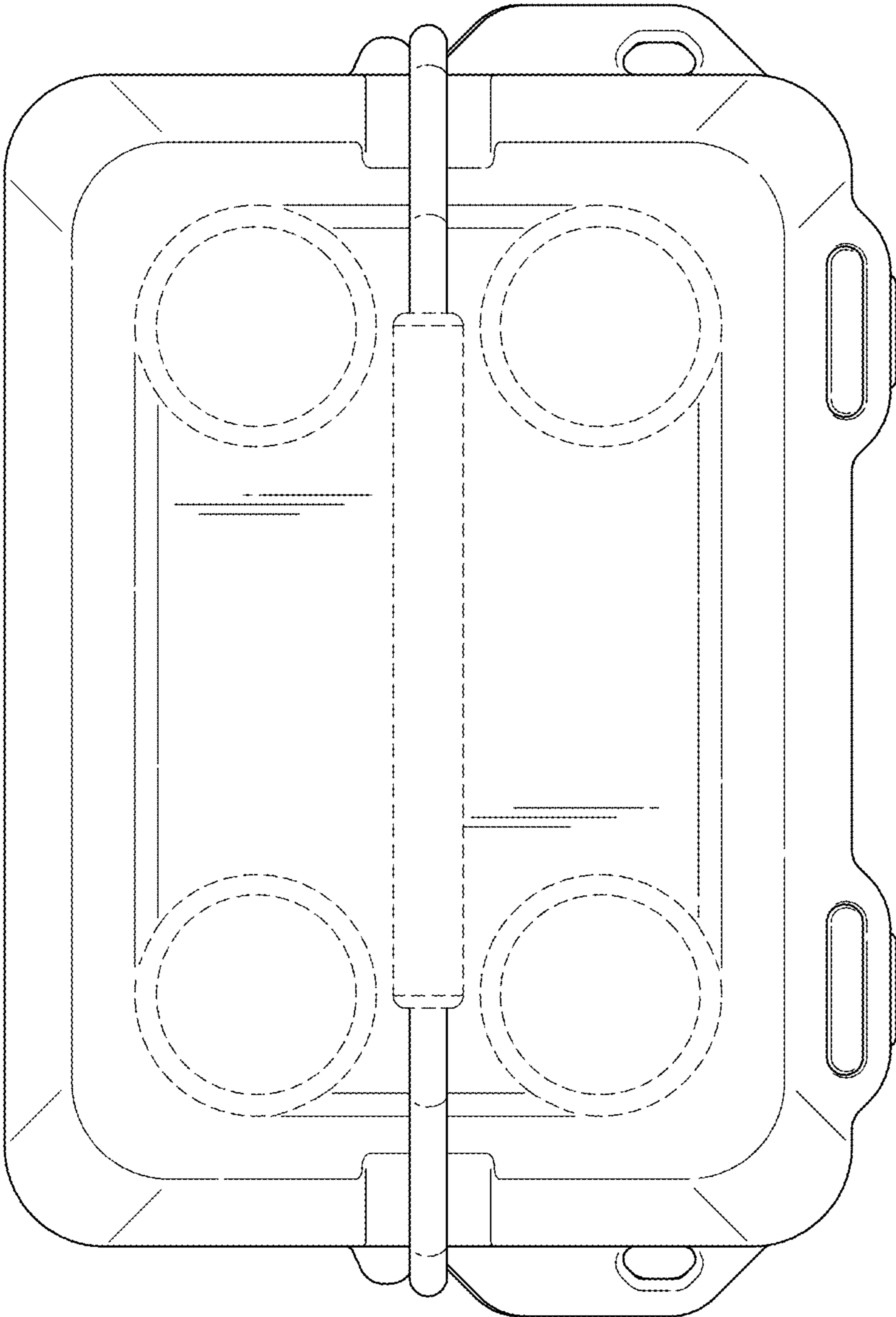


FIG. 4

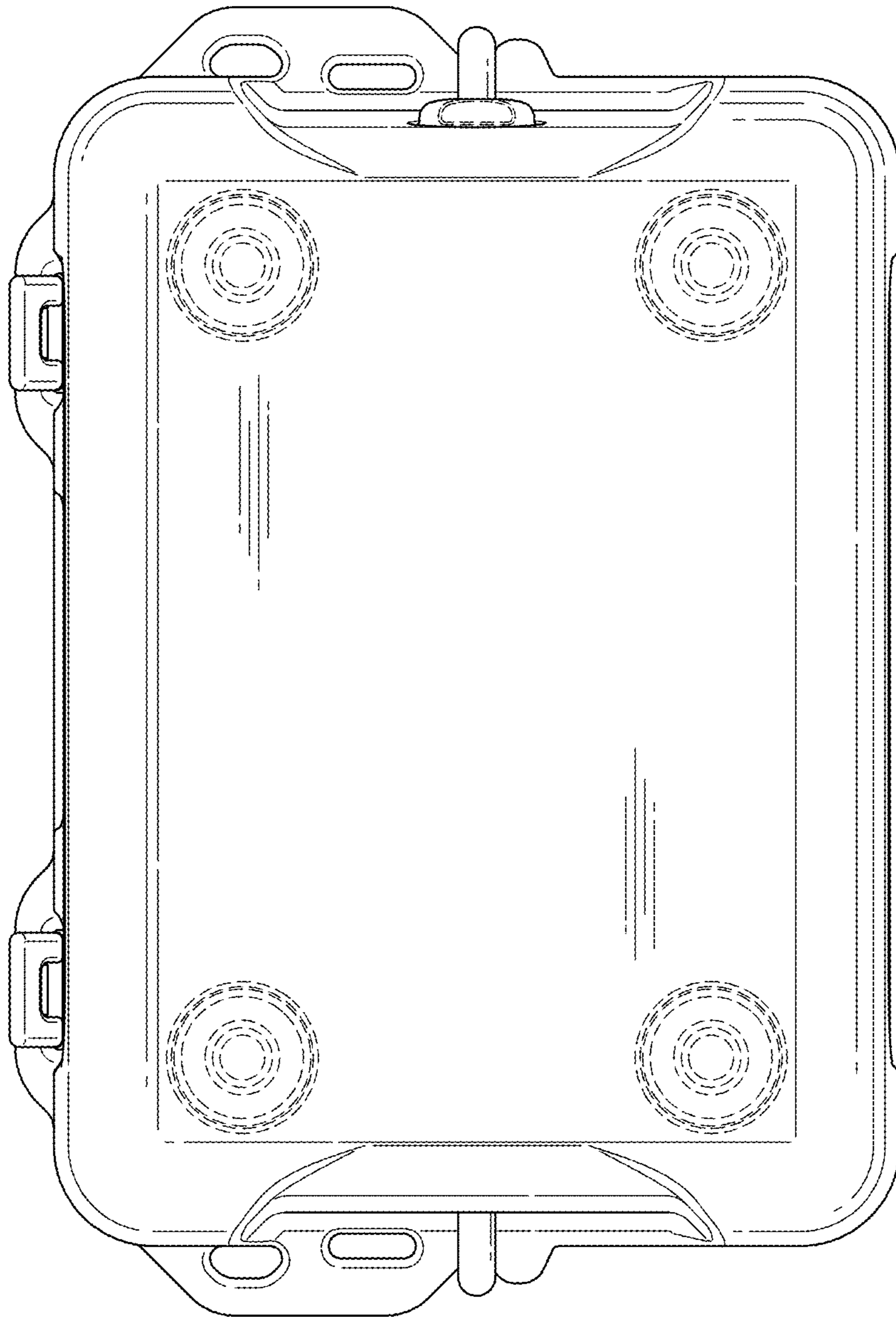


FIG. 5

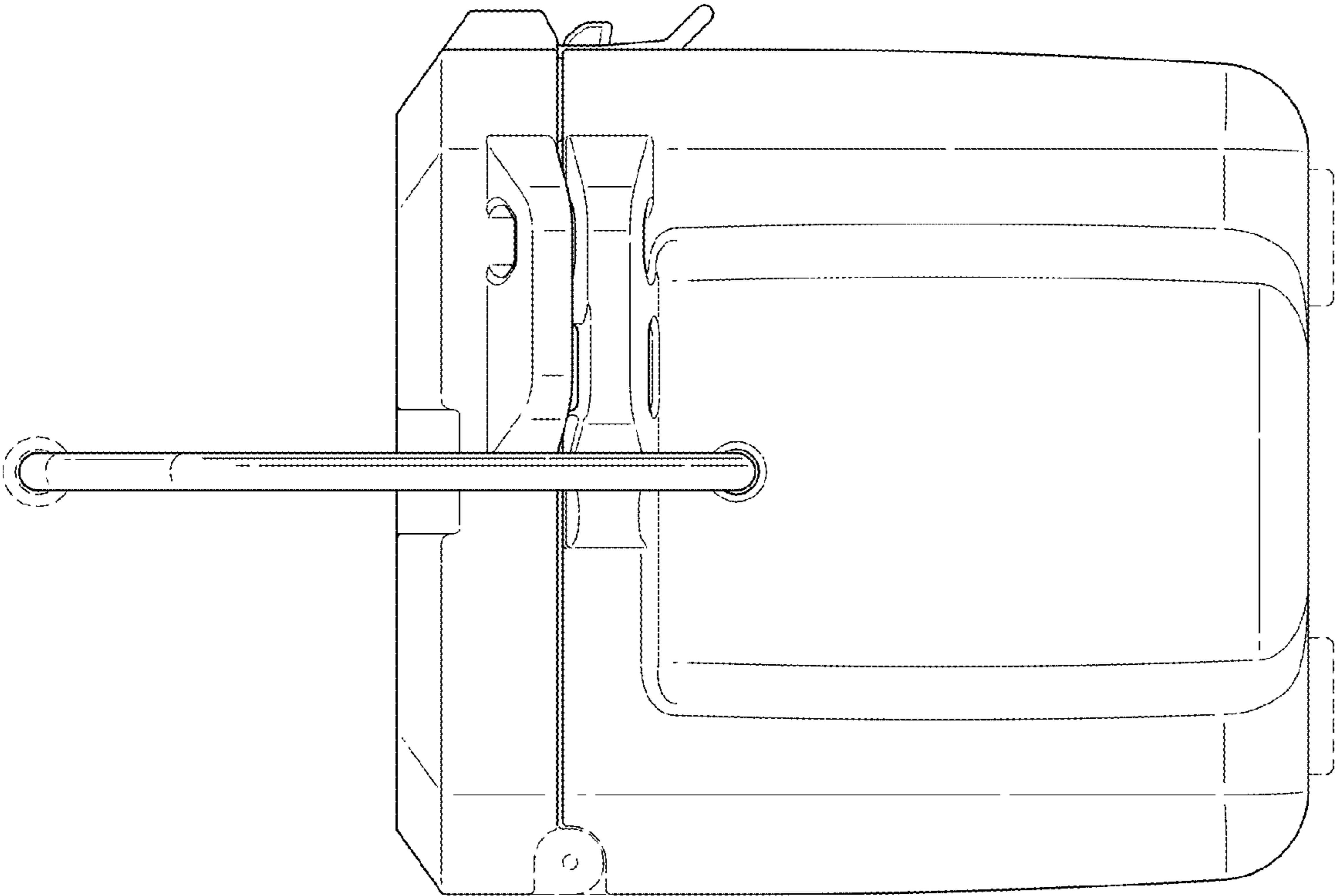


FIG. 6

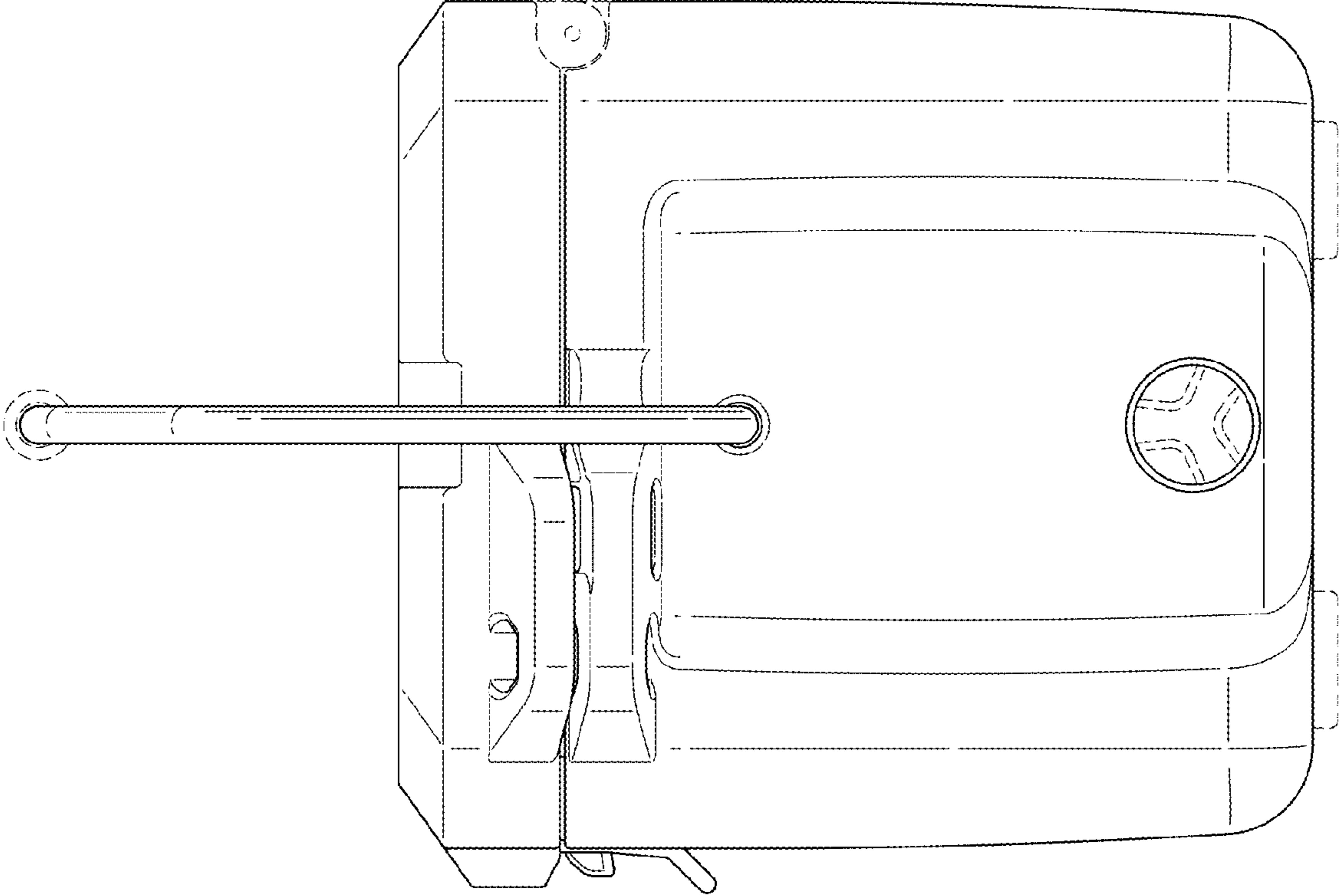


FIG. 7