



US00D888502S

(12) **United States Design Patent**
Barbour, Jr. et al.

(10) **Patent No.:** **US D888,502 S**
(45) **Date of Patent:** **** Jun. 30, 2020**

(54) **BOTTLE DRAINER**

(71) Applicants: **Robert Elliott Barbour, Jr.**, Fort Worth, TX (US); **Ashley Diane Barbour**, Fort Worth, TX (US)

(72) Inventors: **Robert Elliott Barbour, Jr.**, Fort Worth, TX (US); **Ashley Diane Barbour**, Fort Worth, TX (US)

(**) Term: **15 Years**

(21) Appl. No.: **29/677,390**

(22) Filed: **Jan. 18, 2019**

(51) **LOC (12) Cl.** **07-04**

(52) **U.S. Cl.**

USPC **D7/601; D7/619.1**

(58) **Field of Classification Search**

USPC **D7/601, 619.1; D6/512**

CPC **A47G 7/044; A47G 23/02; A47G 23/0241;**

A47F 7/283; A47F 7/28; B60N 3/102;

B67C 9/00; B67D 3/0029; B67D 3/008;

B67D 3/0083; B67D 7/00

See application file for complete search history.

(56) **References Cited**

U.S. PATENT DOCUMENTS

D151,192 S * 9/1948 Roe D7/701

D216,810 S * 3/1970 Pullman D7/708

D249,317 S * 9/1978 Korn D6/677.3

6,481,685 B1 * 11/2002 Cormier A47G 23/0241

248/309.1

2010/0084042 A1 * 4/2010 Bonnell B67C 9/00

141/1

* cited by examiner

Primary Examiner — Terry A Wallace

(74) *Attorney, Agent, or Firm* — Quickpatents, LLC; Kevin Prince

(57) **CLAIM**

The ornamental design for a bottle drainer, as shown and described.

DESCRIPTION

FIG. 1 is a perspective view of a bottle drainer, showing our new design in an expanded configuration;

FIG. 2 is a front elevational view of FIG. 1;

FIG. 3 is a rear elevational view of FIG. 1;

FIG. 4 is a right-side elevational view of FIG. 1;

FIG. 5 is a left-side elevational view of FIG. 1;

FIG. 6 is a top plan view of FIG. 1;

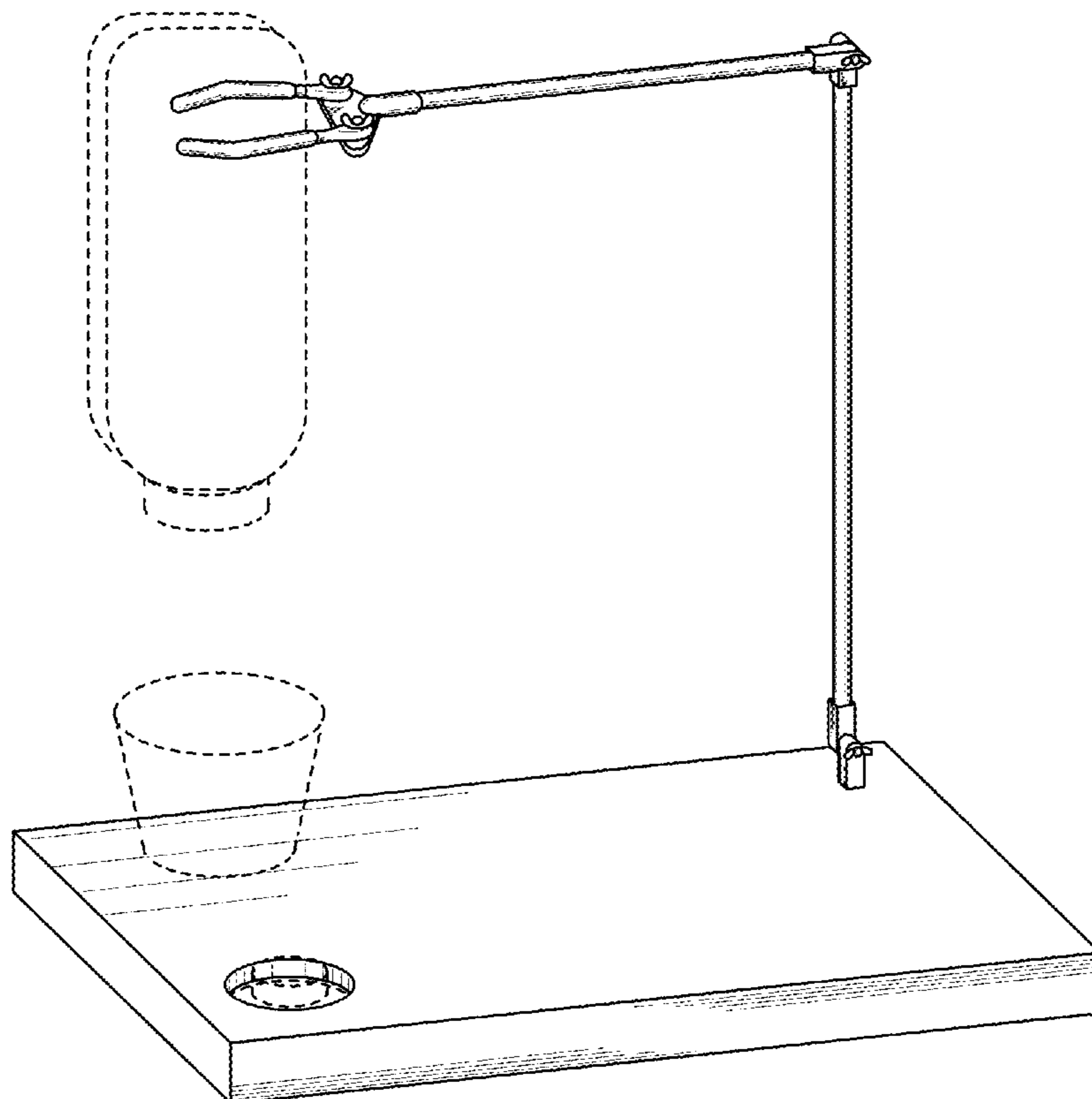
FIG. 7 is a bottom plan view of FIG. 1;

FIG. 8 is a perspective view thereof, illustrated in a collapsed configuration; and,

FIG. 9 is a top plan view of FIG. 8.

The broken lines showing a bottle, cup and bottle cap in FIG. 1 depict environmental matter and form no part of the claimed design. The remaining broken lines shown in a bottle cap holder of the base depict portions of the bottle drainer that form no part of the claimed design.

1 Claim, 5 Drawing Sheets



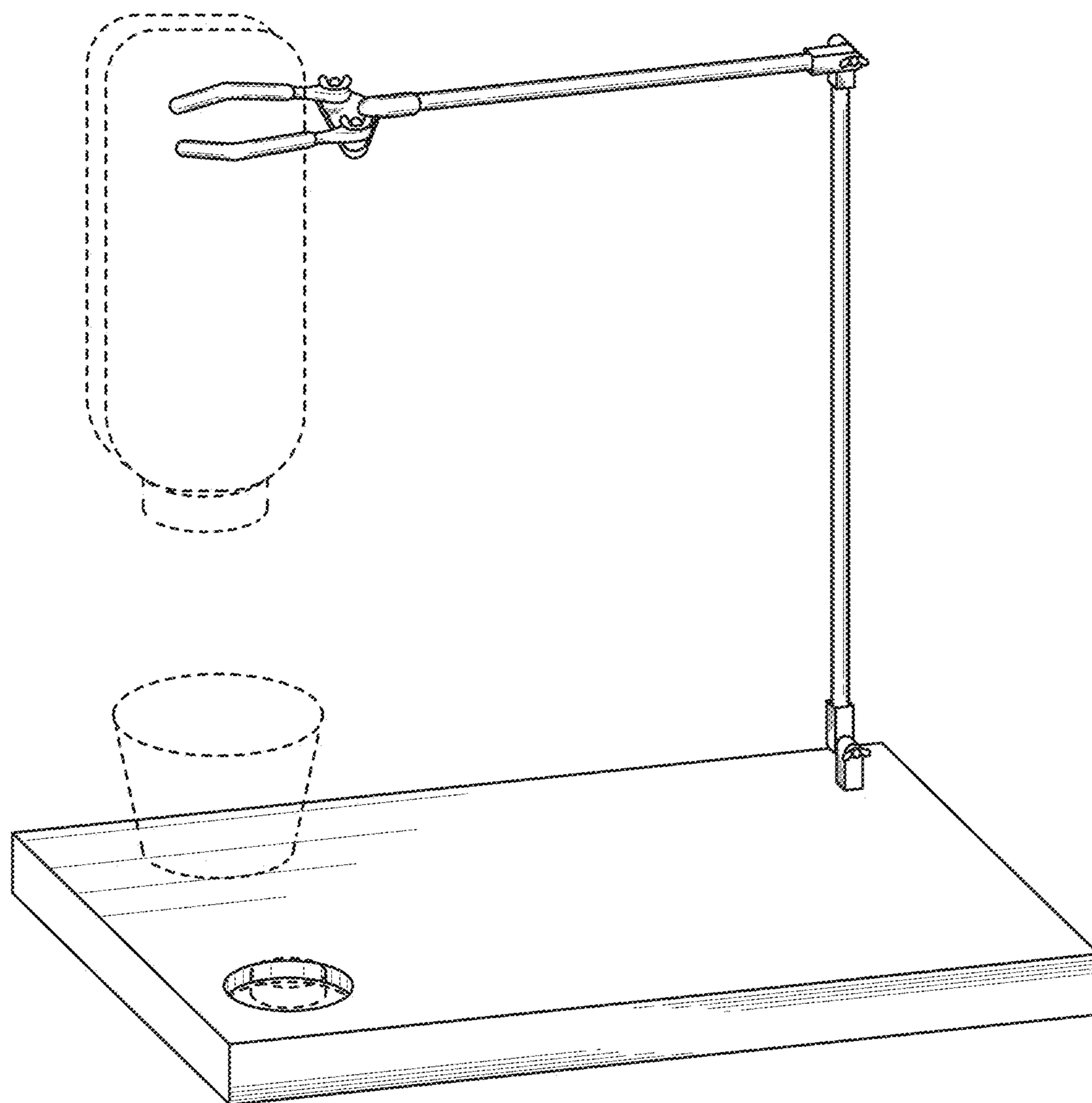


FIG. 1

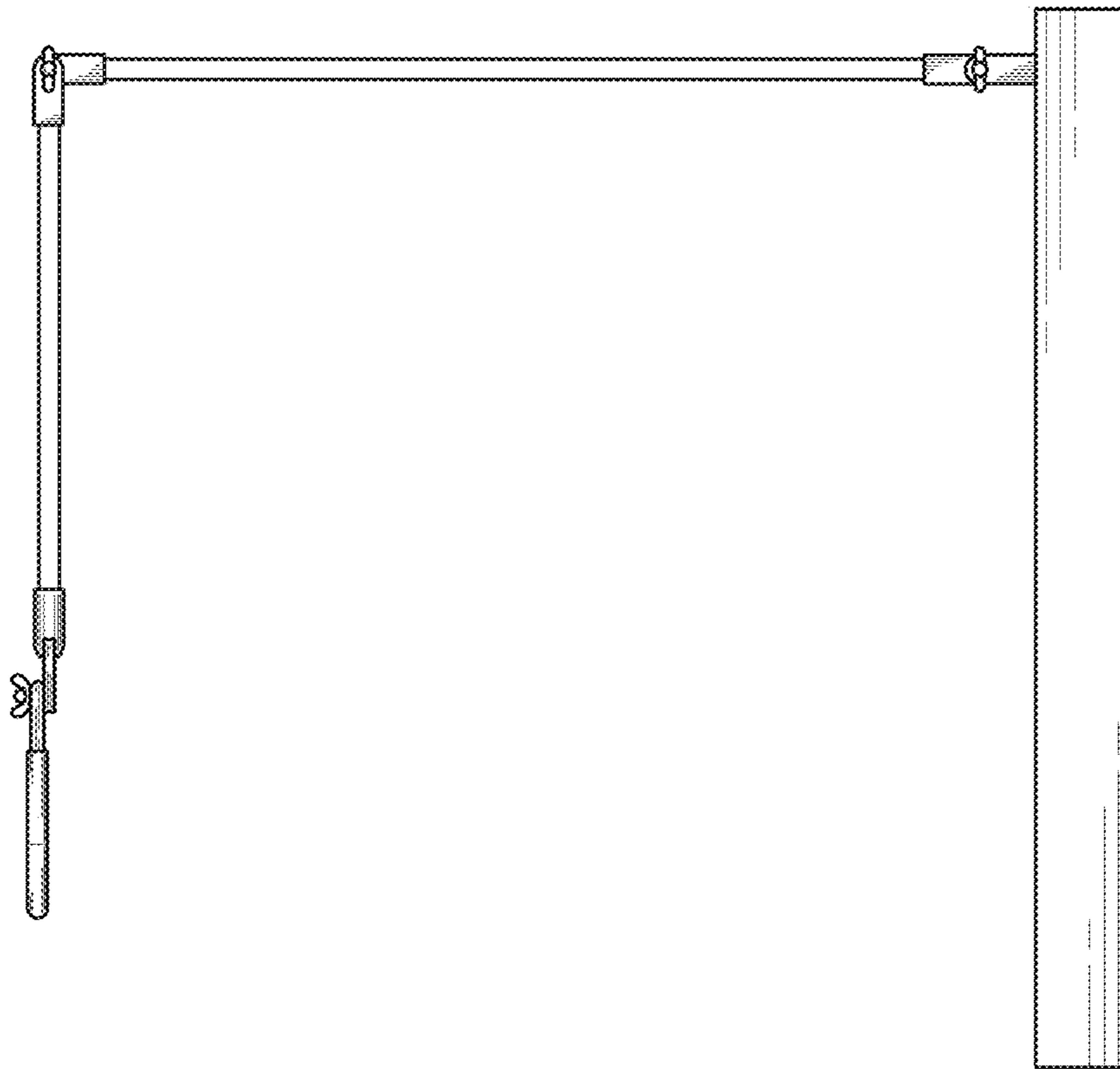


FIG. 2

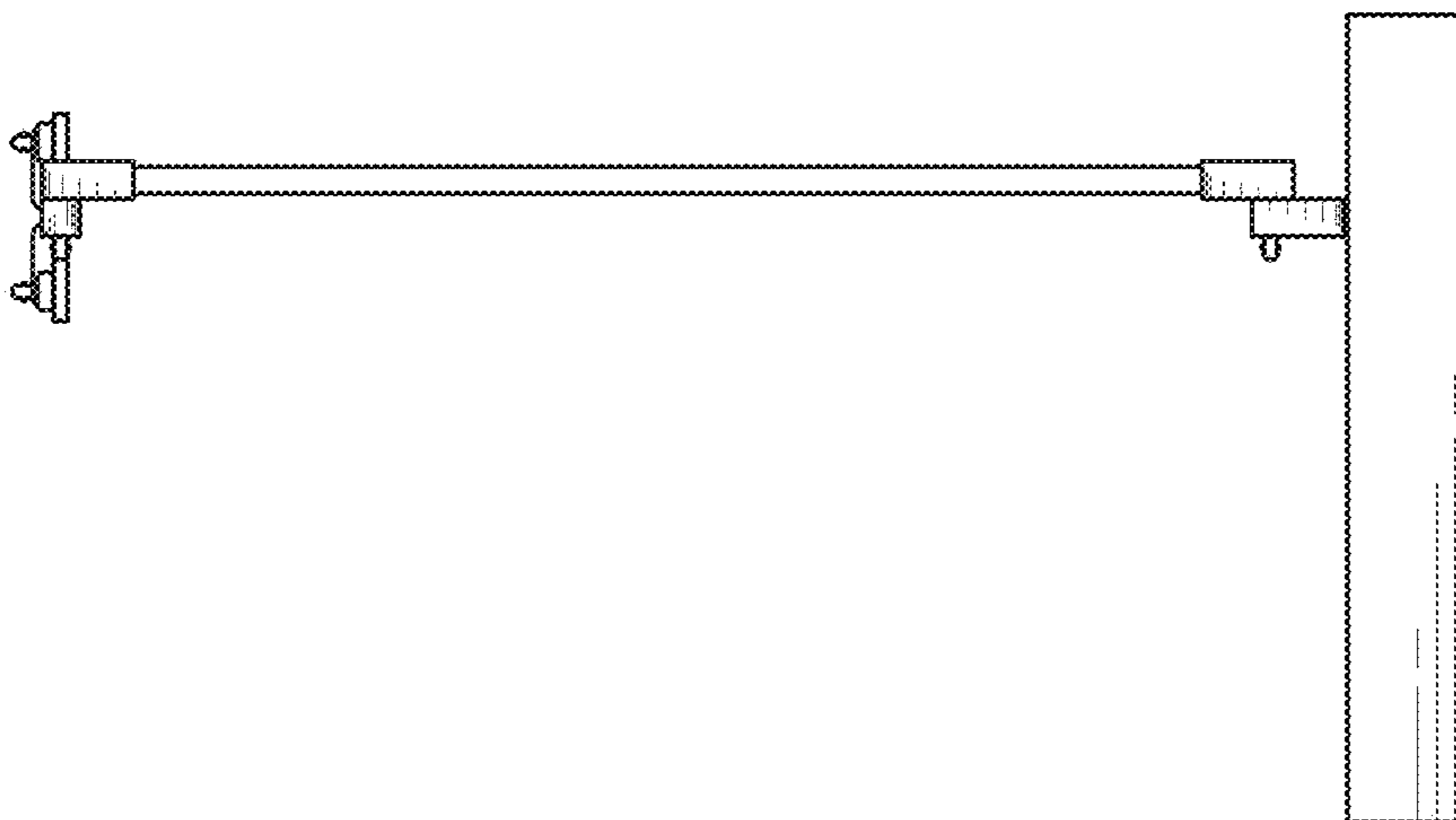


FIG. 4

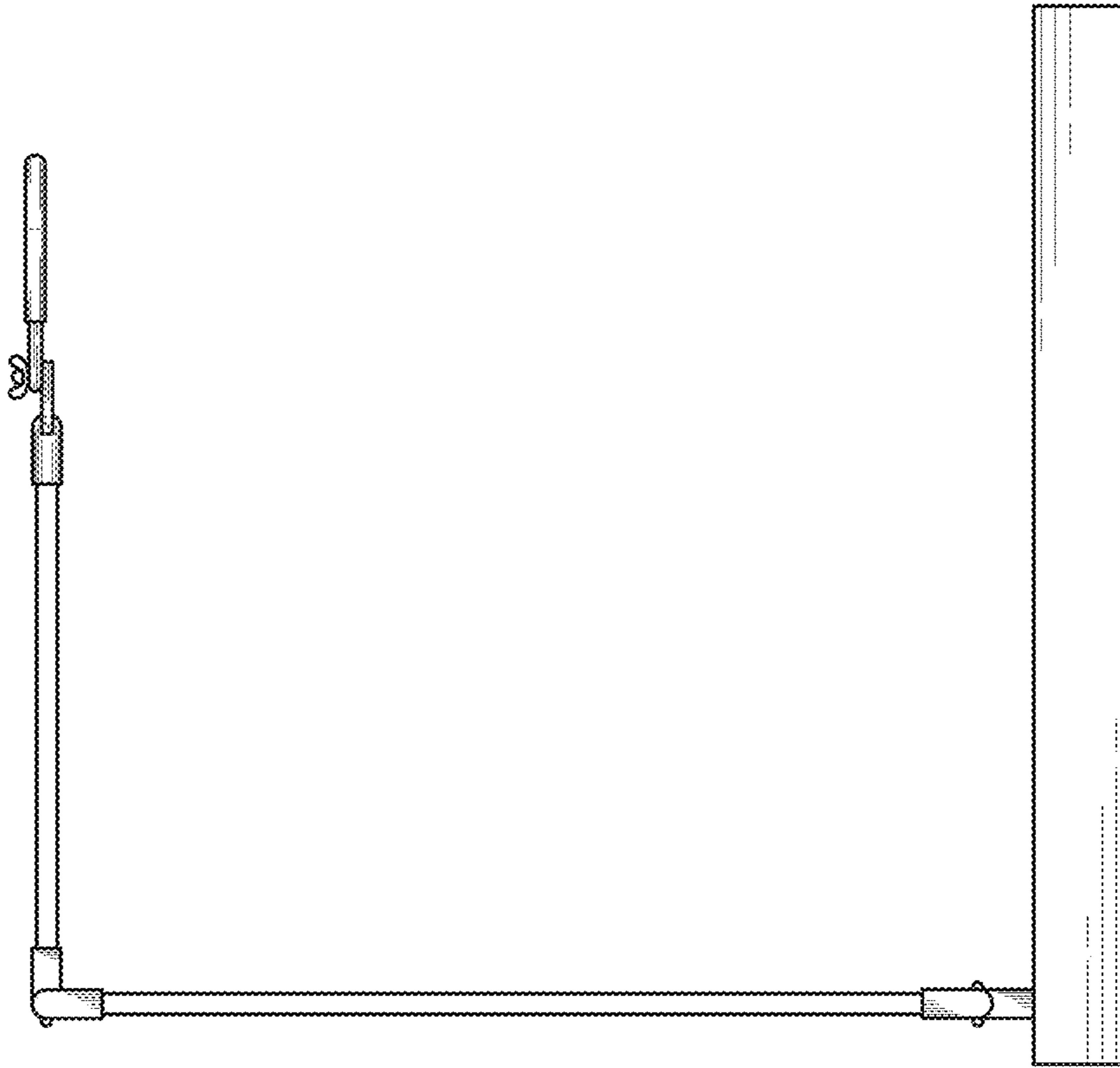


FIG. 3

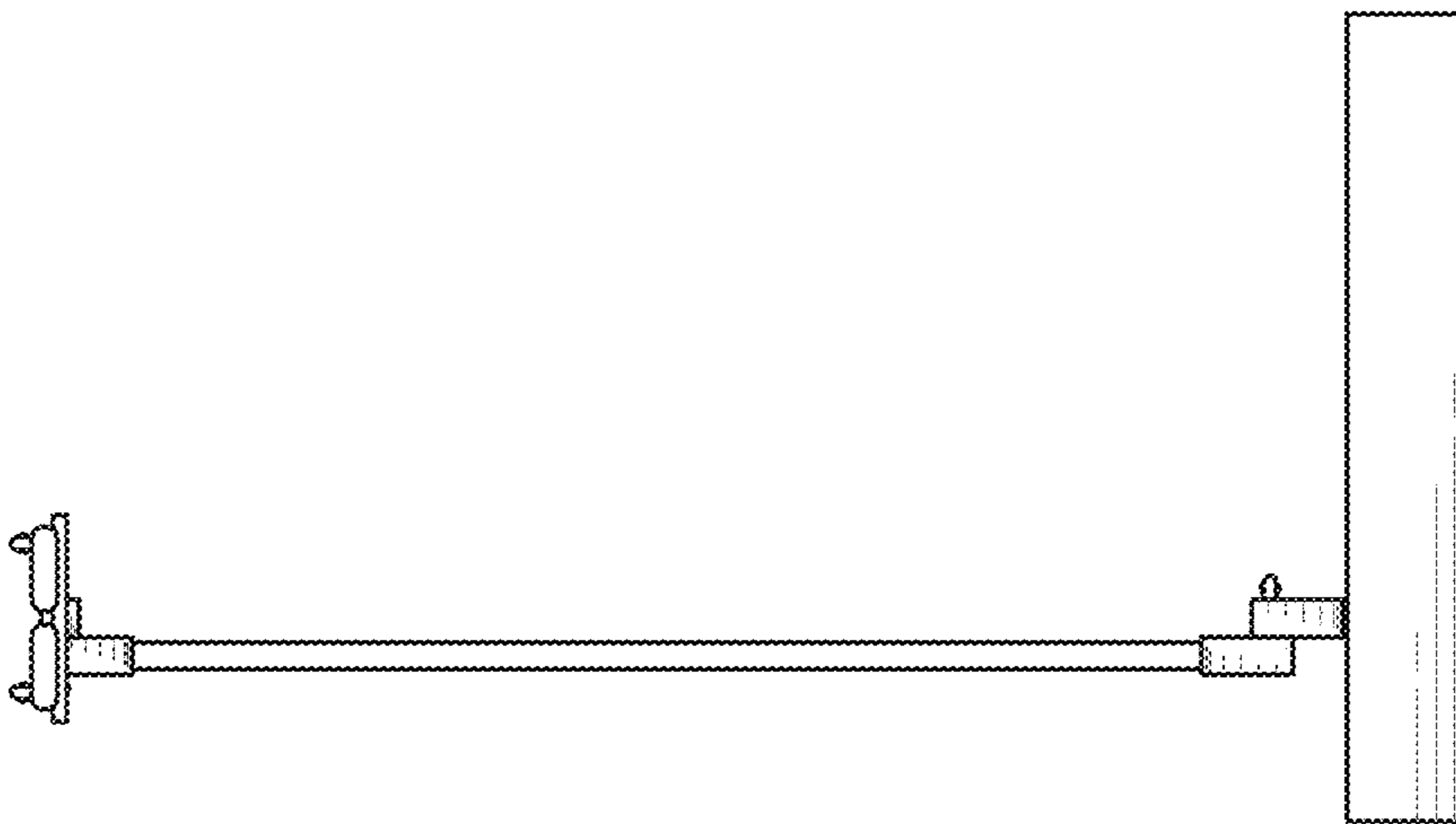


FIG. 5

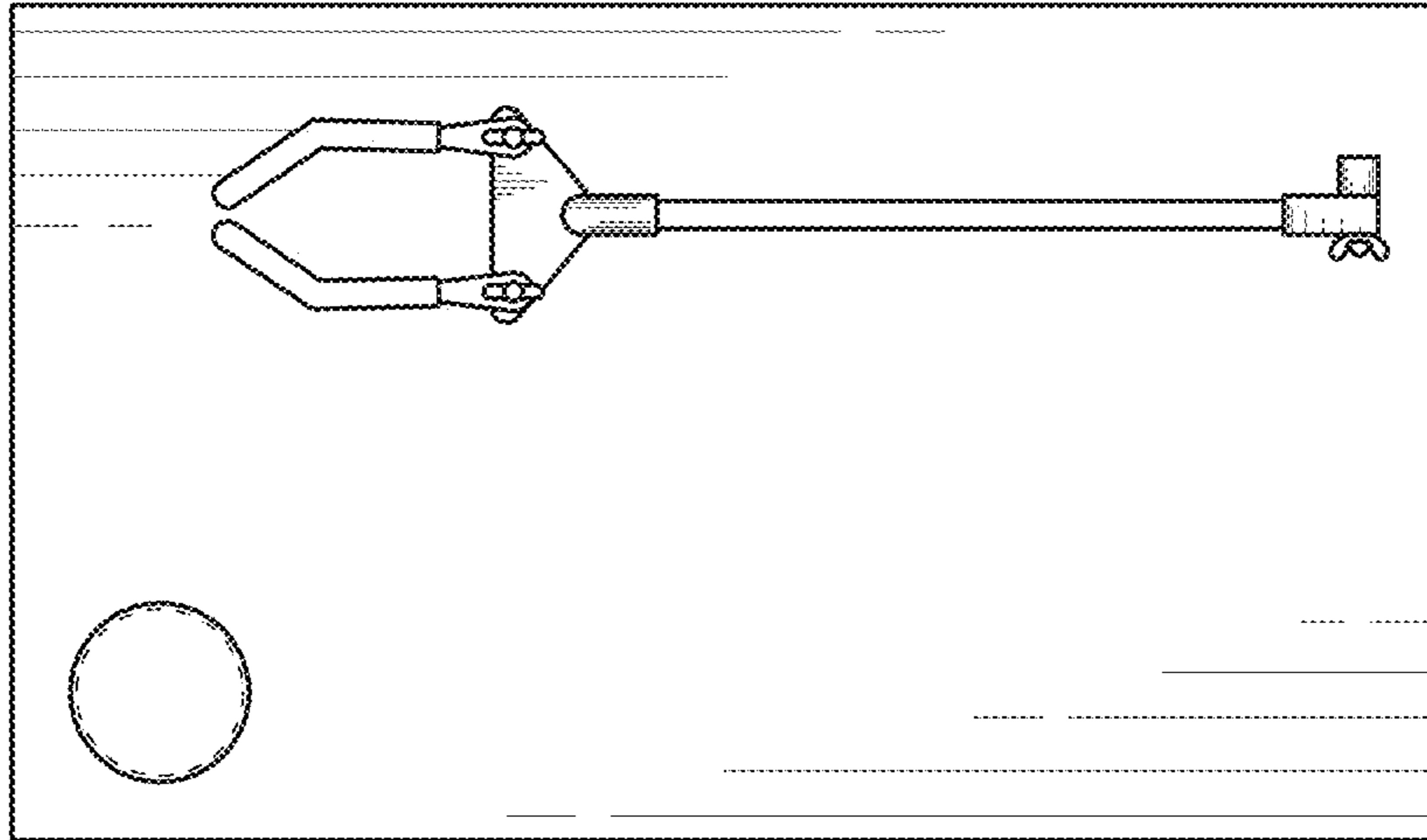


FIG. 6

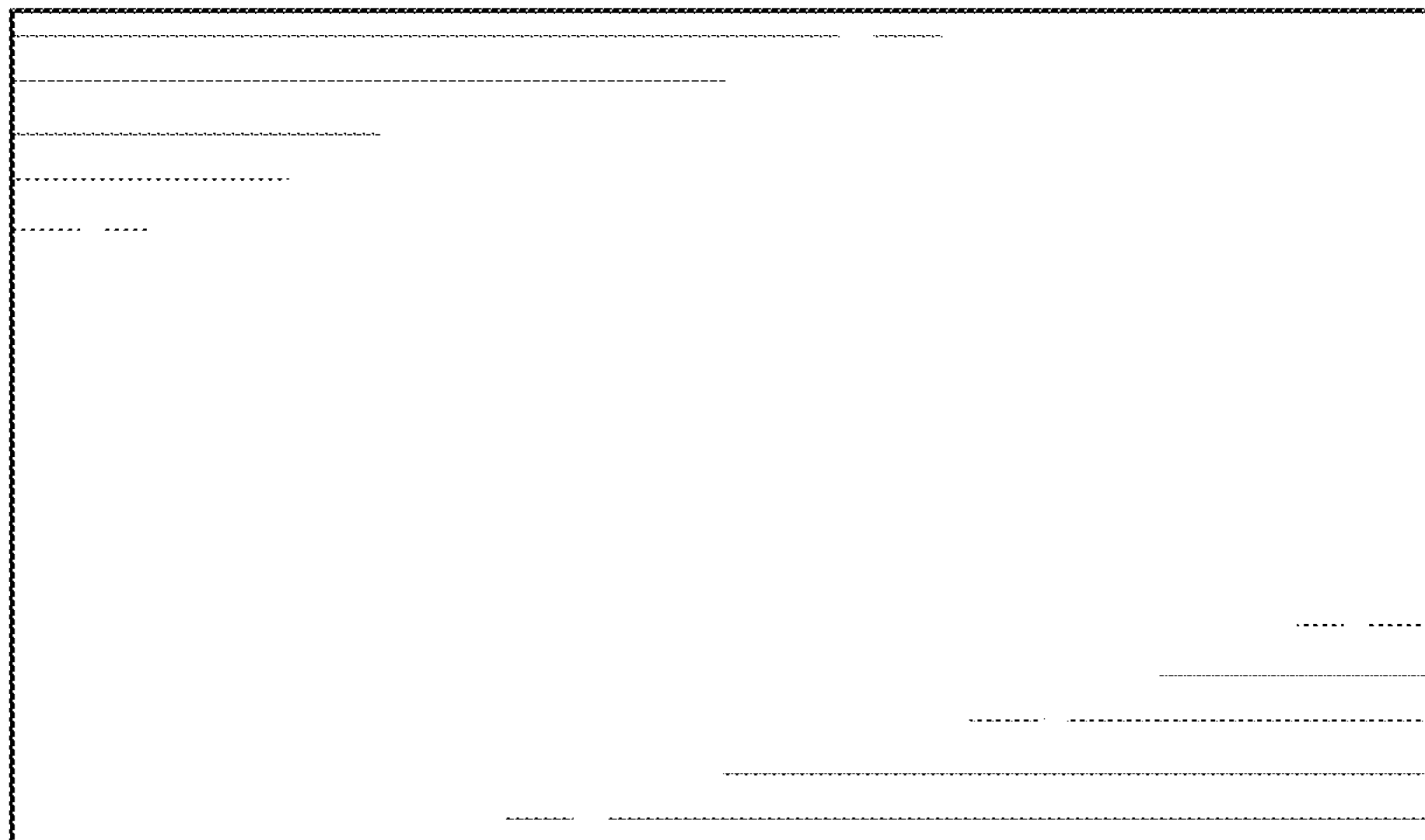


FIG. 7

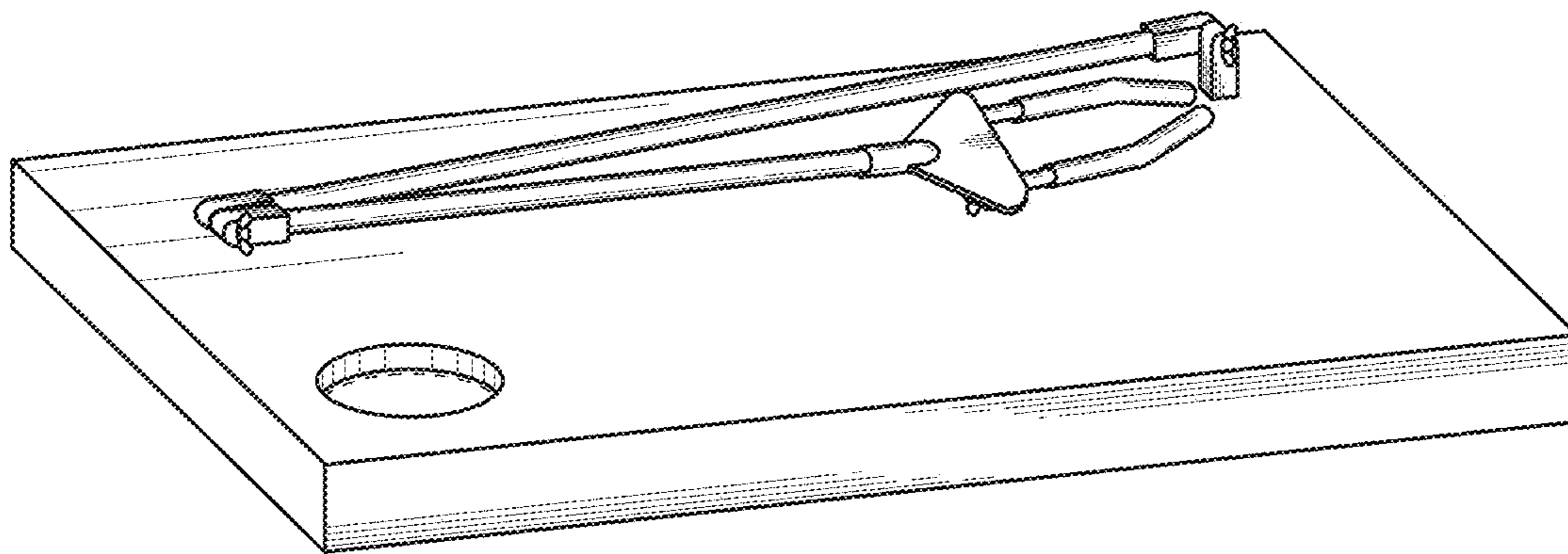


FIG. 8

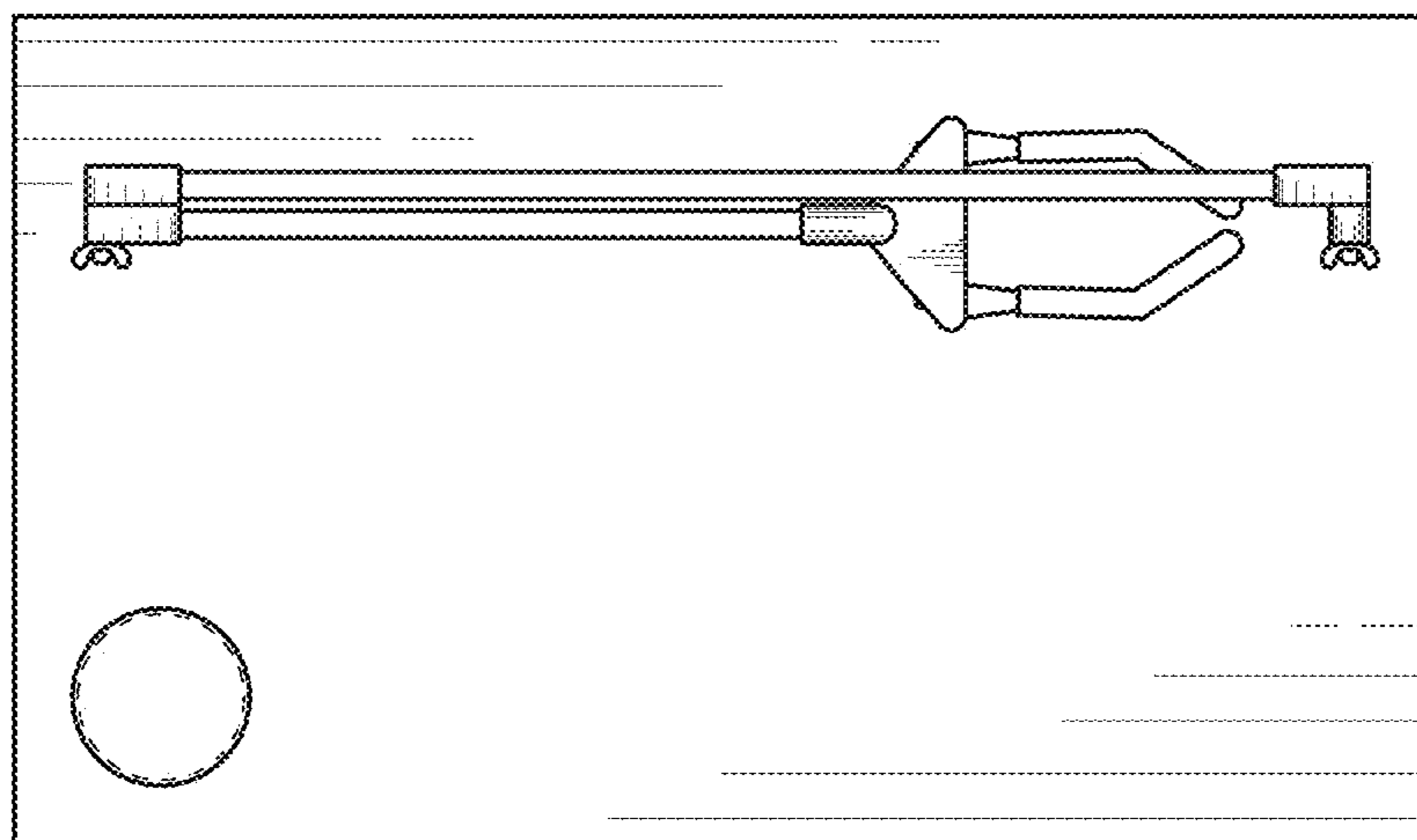


FIG. 9