



US00D888500S

(12) **United States Design Patent**  
**Glerum**

(10) **Patent No.:** **US D888,500 S**

(45) **Date of Patent:** **\*\* Jun. 30, 2020**

(54) **BEVERAGE TUMBLER**

(71) Applicant: **Chad Glerum**, Pennsburg, PA (US)

(72) Inventor: **Chad Glerum**, Pennsburg, PA (US)

(\*\*) Term: **15 Years**

(21) Appl. No.: **29/669,011**

(22) Filed: **Nov. 5, 2018**

(51) **LOC (12) Cl.** ..... **07-01**

(52) **U.S. Cl.**  
USPC ..... **D7/532; D7/509**

(58) **Field of Classification Search**

USPC ..... D7/509, 510, 511, 523, 529, 532, 530,  
D7/531, 533, 536, 318, 319, 507, 524,  
D7/392.1, 396.2, 300.2; D9/503, 504,  
D9/440, 449, 450, 609, 601, 435, 436,  
D9/684, 688, 728, 686, 443, 439;  
D3/202

CPC ..... A47G 19/22; A47G 19/2288; A47G  
19/2205; A47G 19/2272; B65D 1/265;  
A47J 41/0077; A47J 41/0088; A47J  
41/028

See application file for complete search history.

(56) **References Cited**

**U.S. PATENT DOCUMENTS**

D541,665 S \* 5/2007 Druart ..... D9/614  
7,628,285 B2 \* 12/2009 Salvia ..... B65D 23/102  
215/384

8,807,340 B2 \* 8/2014 Zimmer ..... A47G 19/2255  
206/509  
D805,853 S \* 12/2017 Waskow ..... D7/608  
D836,983 S \* 1/2019 Jacob ..... D7/510  
D846,947 S \* 4/2019 Godinger ..... D7/507  
2006/0249518 A1 \* 11/2006 Festa ..... A47G 19/2205  
220/669  
2011/0132781 A1 \* 6/2011 Willat ..... B65D 1/0276  
206/217  
2019/0307292 A1 \* 10/2019 Haas ..... A47J 41/0088

\* cited by examiner

*Primary Examiner* — Jae Liang

(57) **CLAIM**

The ornamental design for a beverage tumbler, as shown and described herein.

**DESCRIPTION**

FIG. 1 shows a perspective view of a beverage tumbler showing a new design;

FIG. 2 shows a front view thereof;

FIG. 3 shows a rear view thereof;

FIG. 4 shows a side view thereof;

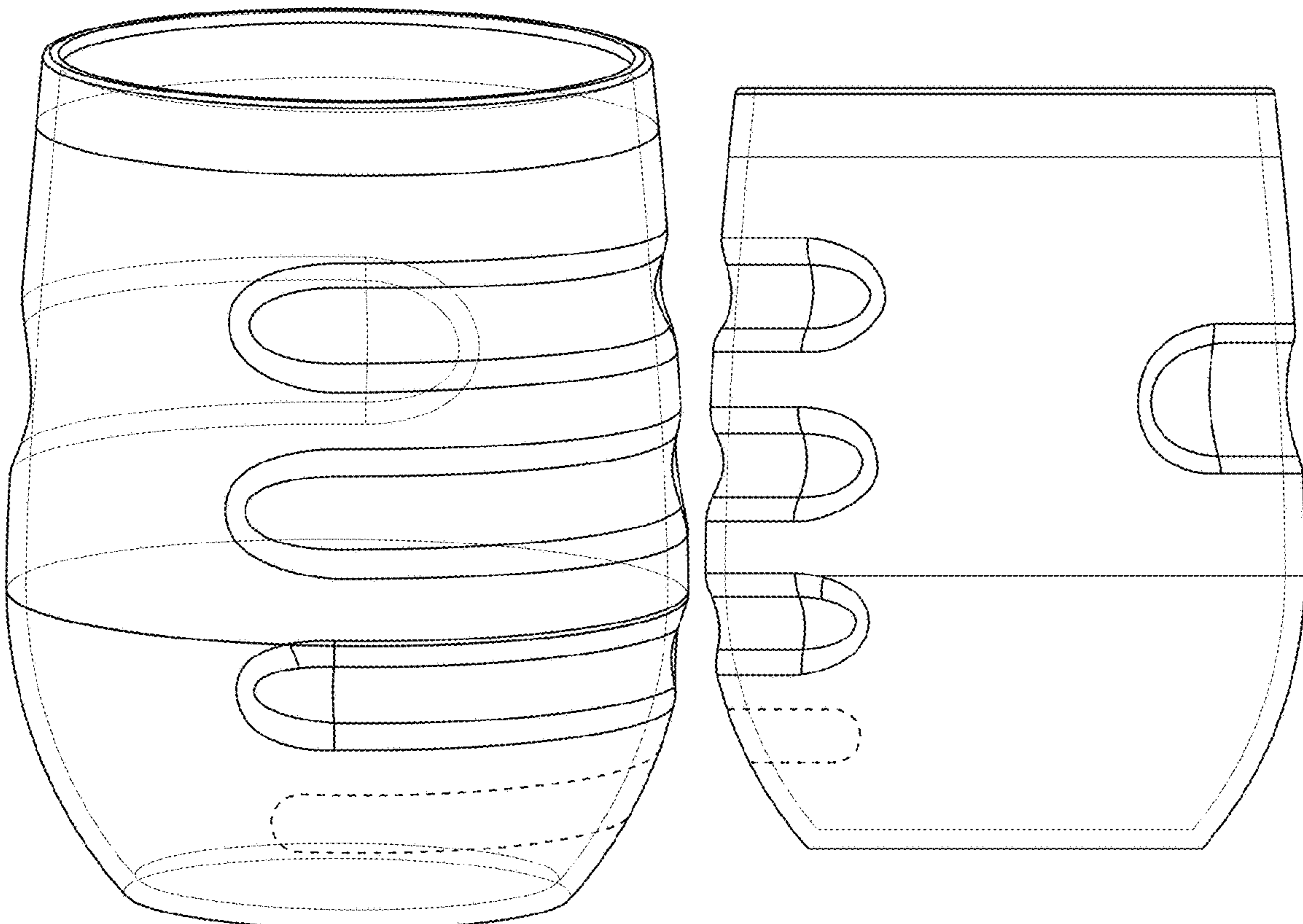
FIG. 5 shows another side view thereof;

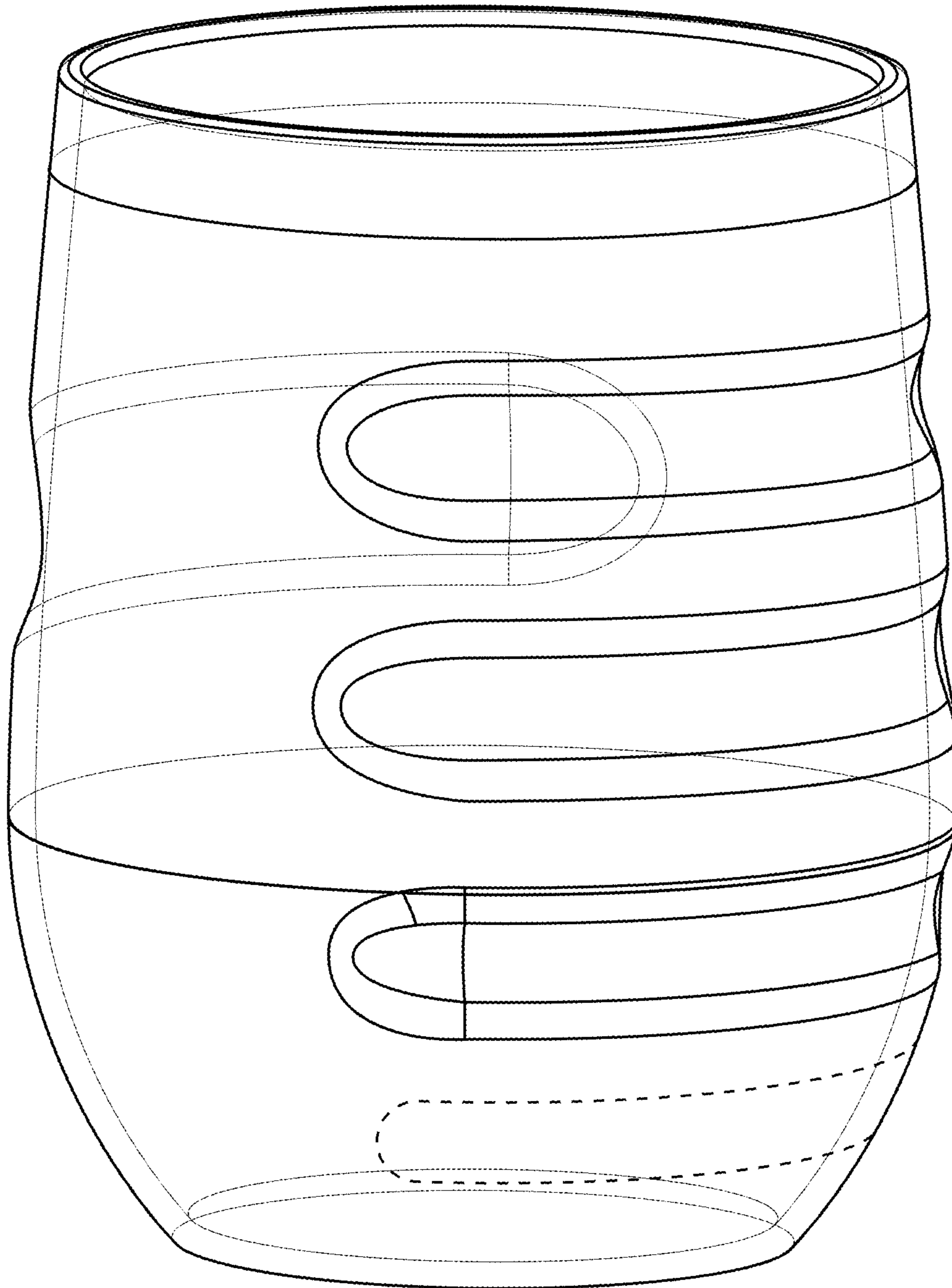
FIG. 6 shows a top view thereof; and,

FIG. 7 shows a bottom view thereof.

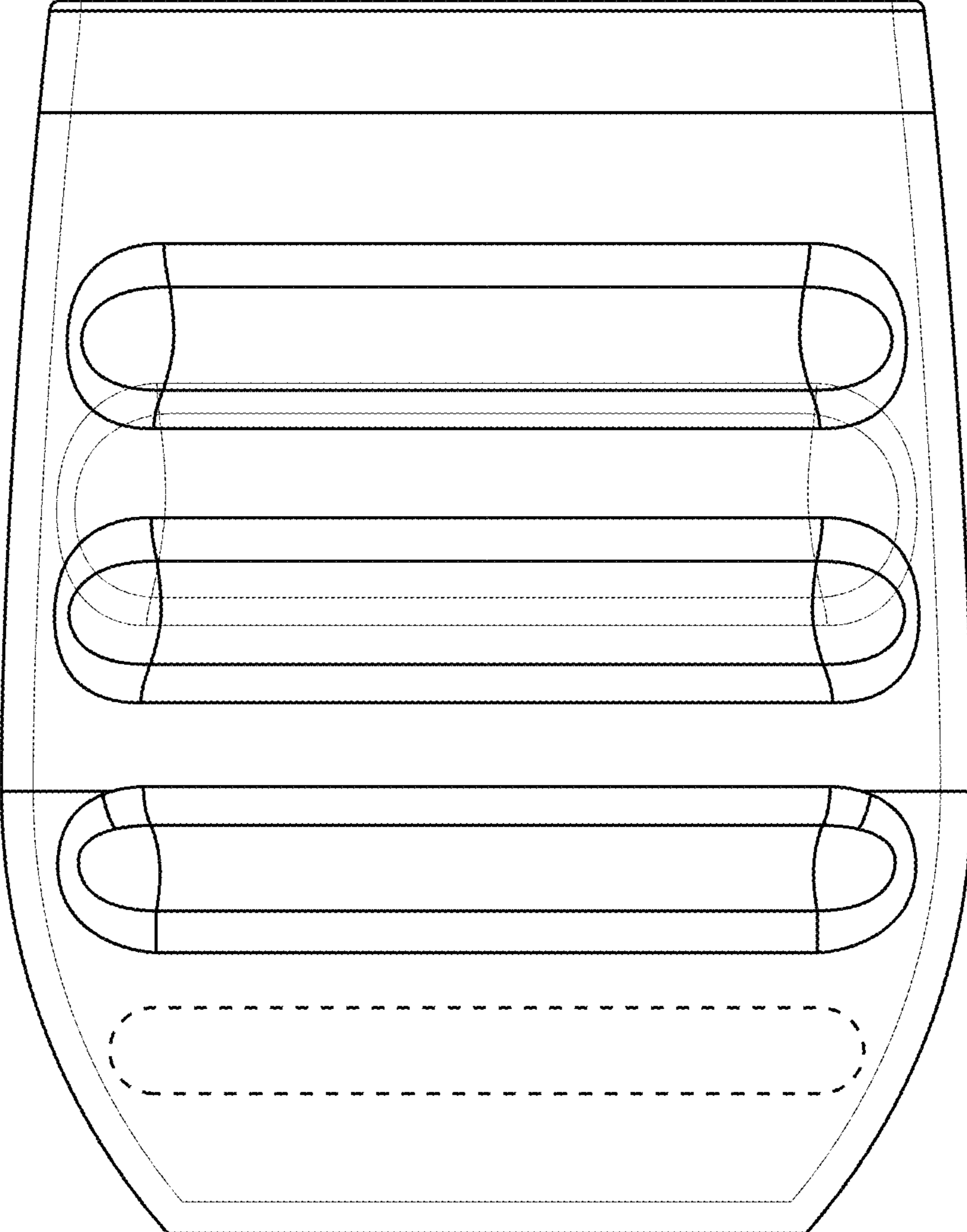
In the drawings, the broken lines depict unclaimed subject matter and form no part of the claimed design.

**1 Claim, 7 Drawing Sheets**

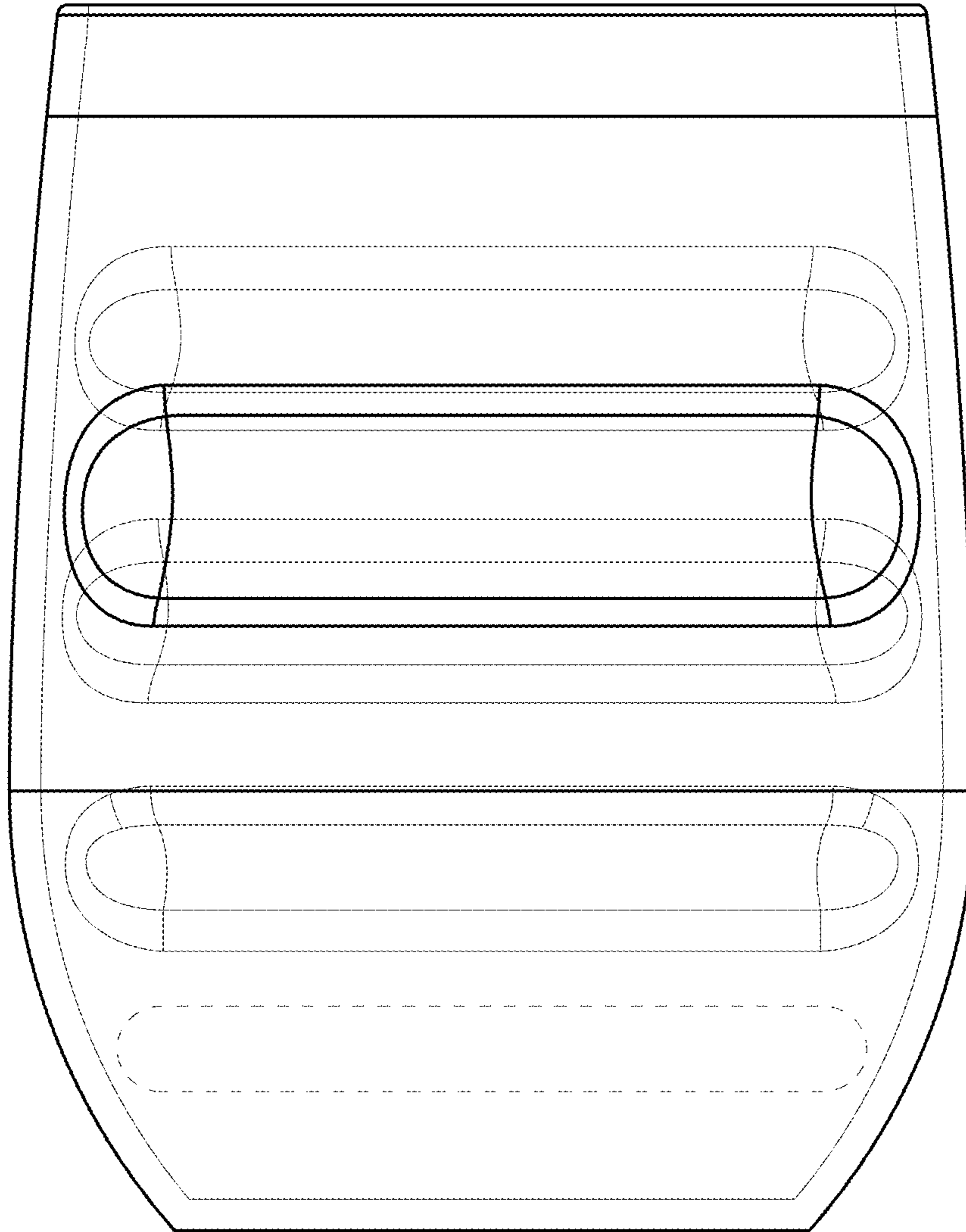




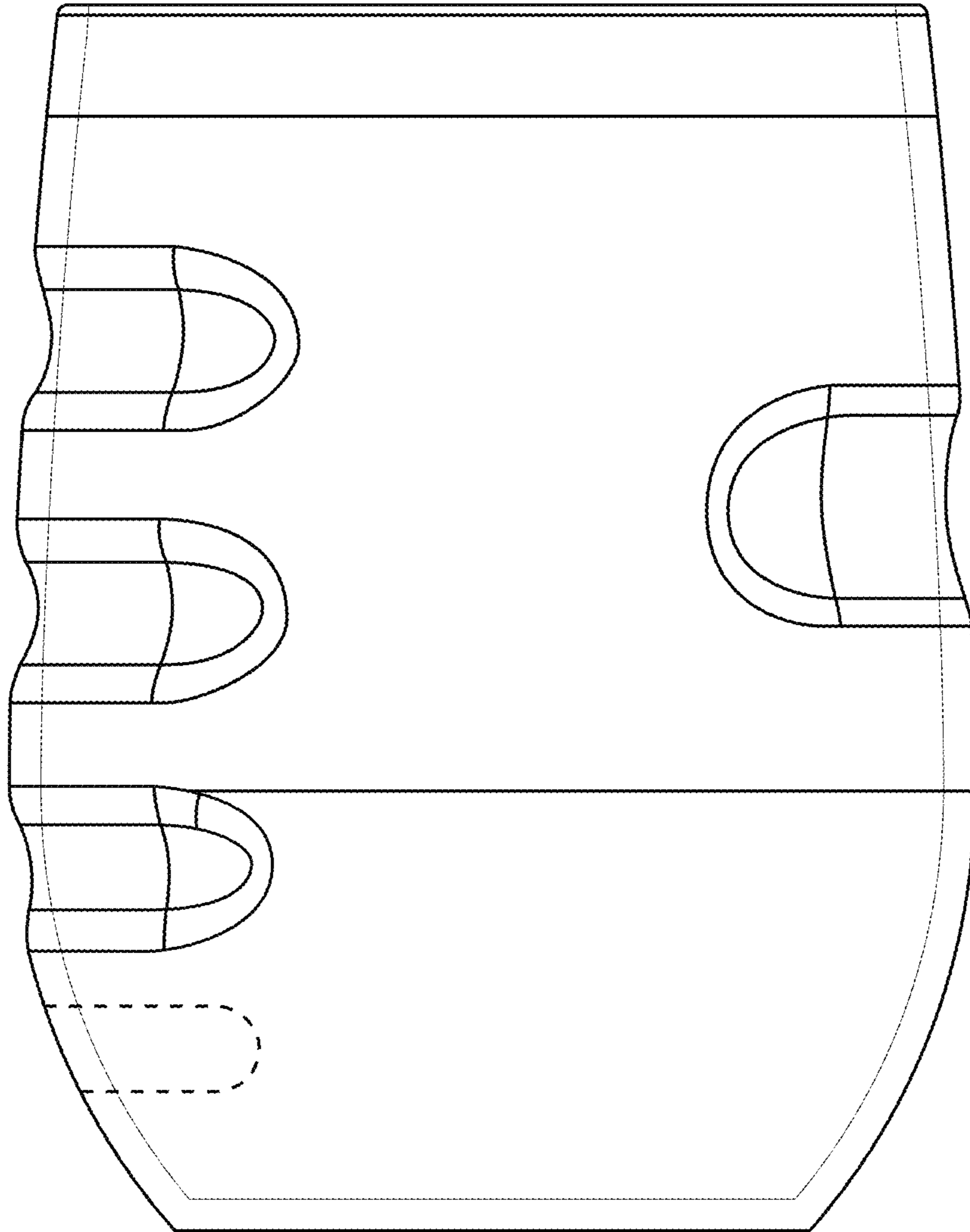
**FIG. 1**



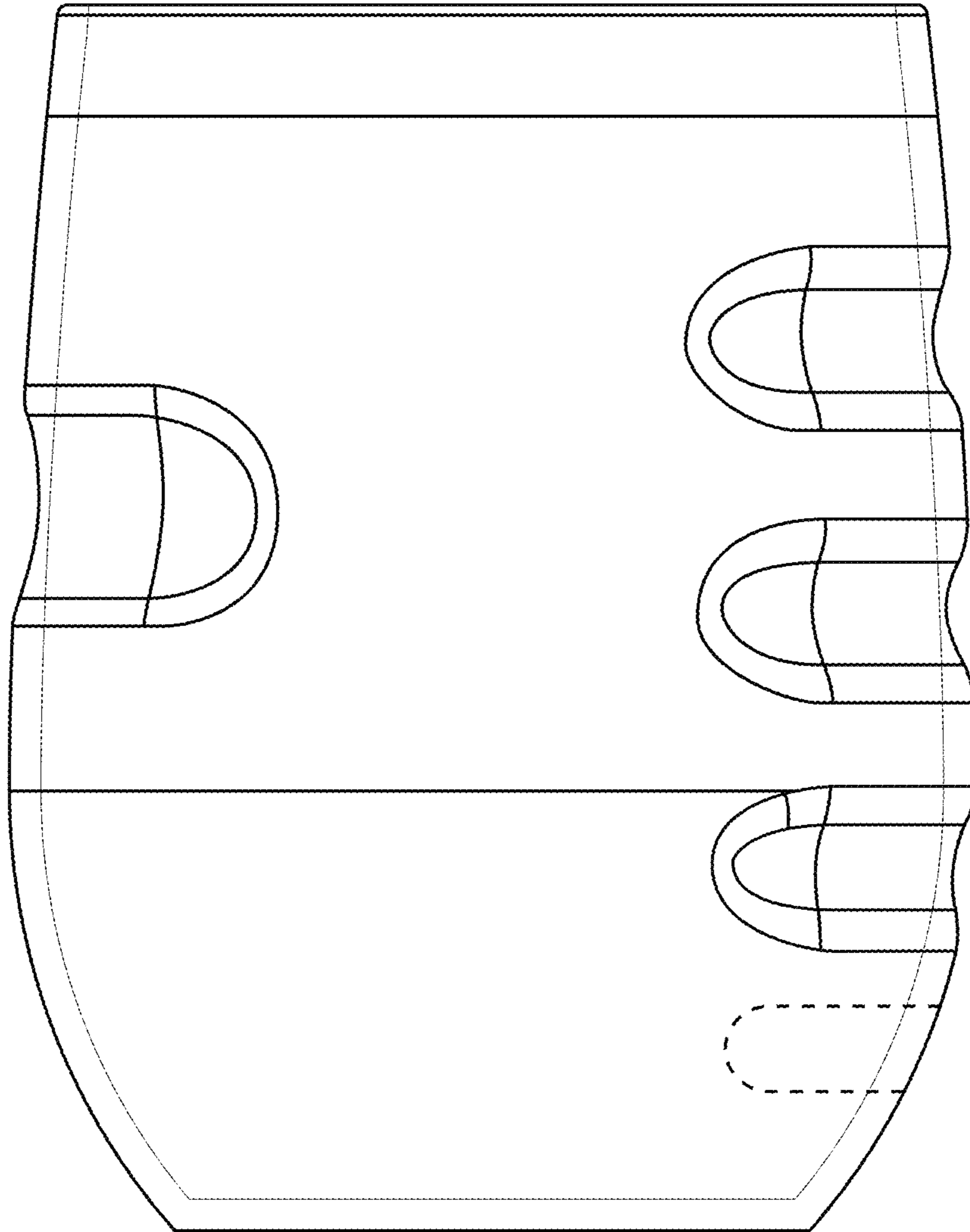
**FIG. 2**



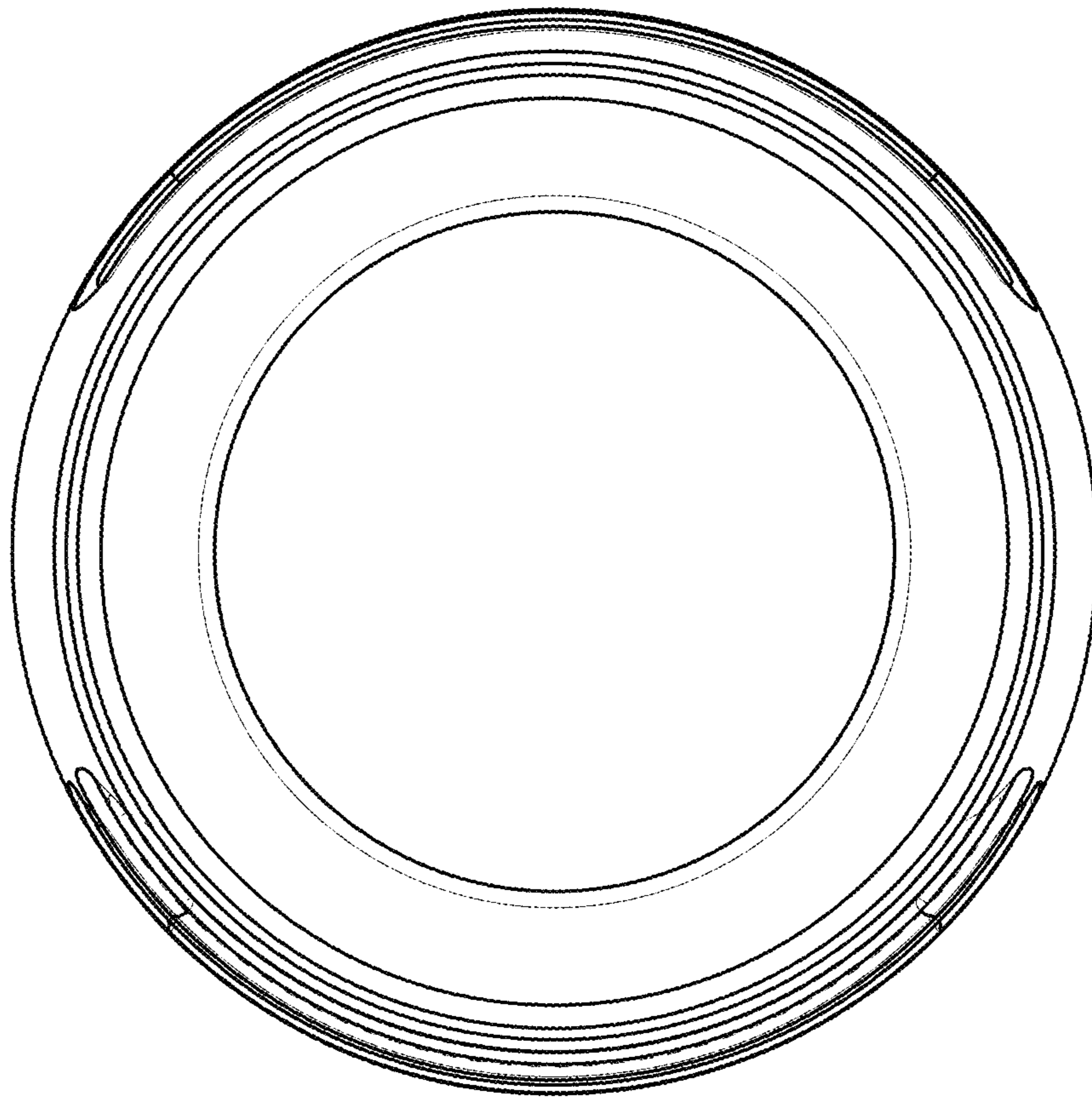
**FIG. 3**



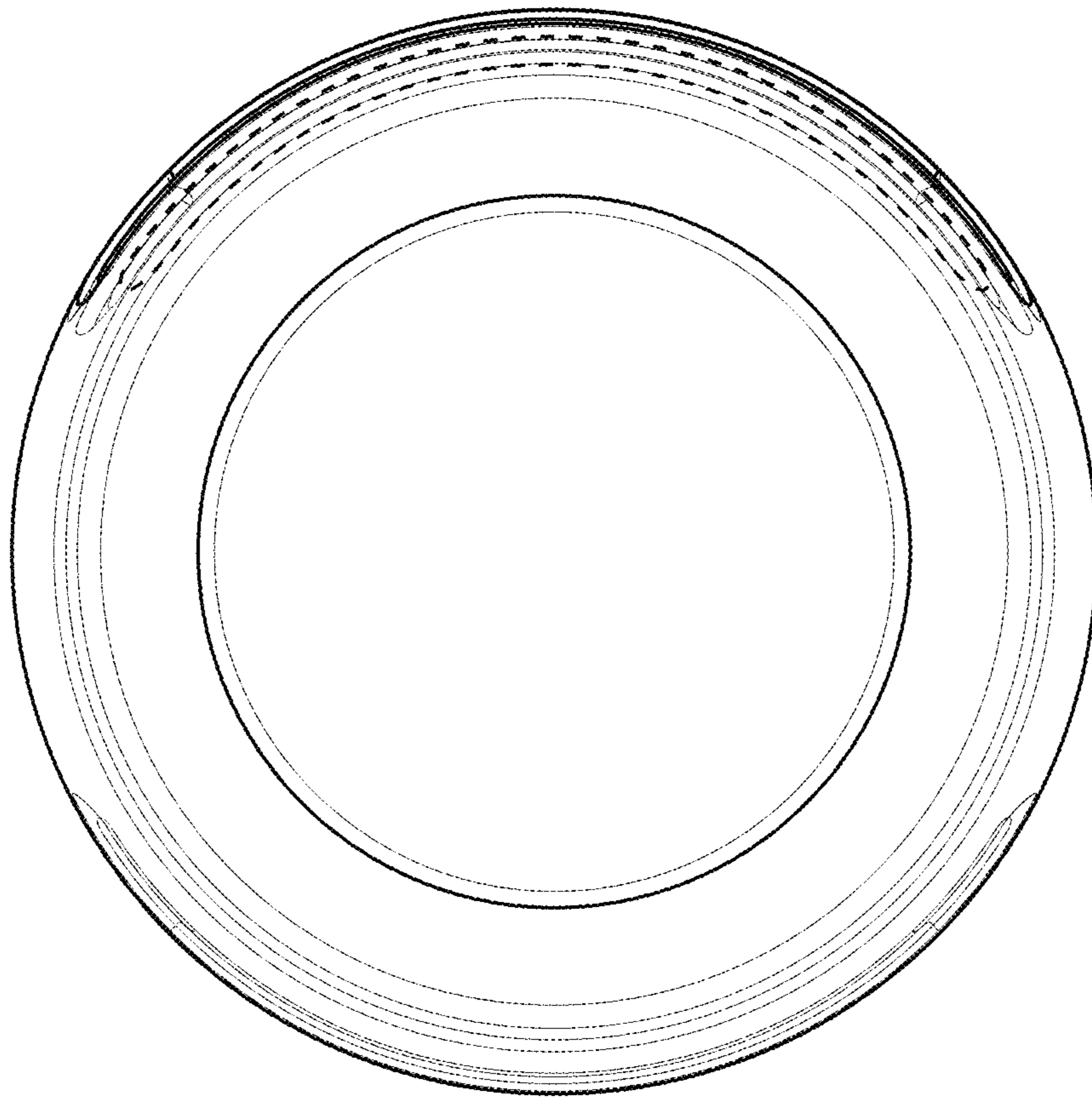
**FIG. 4**



**FIG. 5**



**FIG. 6**



**FIG. 7**