



US00D888497S

(12) **United States Design Patent**  
**Cai**

(10) **Patent No.:** **US D888,497 S**  
(45) **Date of Patent:** **\*\* Jun. 30, 2020**

(54) **FOLDABLE CONTAINER**  
(71) Applicant: **Shenzhen Xiaozhou Silicone Products Co., Ltd, Shenzhen, Guangdong (CN)**  
(72) Inventor: **Xiaoli Cai, Guangdong (CN)**  
(73) Assignee: **Shenzhen Xiaozhou Silicone Products Co., Ltd, Shenzhen (CN)**  
(\*\*) Term: **15 Years**

D664,003 S \* 7/2012 Nagoya ..... D7/400  
D675,482 S \* 2/2013 Heggstad ..... D7/400  
D682,617 S \* 5/2013 Miksovsky ..... D7/507  
D712,209 S \* 9/2014 Hager ..... D7/700  
8,887,942 B2 \* 11/2014 Miksovsky ..... B65D 1/40  
206/218  
D729,005 S \* 5/2015 Lee ..... D7/399  
9,027,758 B2 \* 5/2015 Lee ..... A47J 43/22  
209/233  
D739,475 S \* 9/2015 Reed ..... D21/472  
D756,705 S \* 5/2016 Abrams ..... D7/510  
D759,420 S \* 6/2016 Lee ..... D7/354

(Continued)

(21) Appl. No.: **29/669,563**  
(22) Filed: **Nov. 9, 2018**  
(51) **LOC (12) Cl.** ..... **07-01**  
(52) **U.S. Cl.**  
USPC ..... **D7/512; D7/400**  
(58) **Field of Classification Search**  
USPC ..... D7/399, 400, 300, 309, 310, 667, 700,  
D7/512; 99/300; D9/503, 504;  
D23/207, 209  
CPC ..... A47J 31/02; A47J 31/08; A47J 31/407;  
B65D 21/86; B65D 6/00; C02F 1/002  
See application file for complete search history.

Primary Examiner — Marianne N Pandozzi

(57) **CLAIM**

The ornamental design for a foldable container, as shown and described.

**DESCRIPTION**

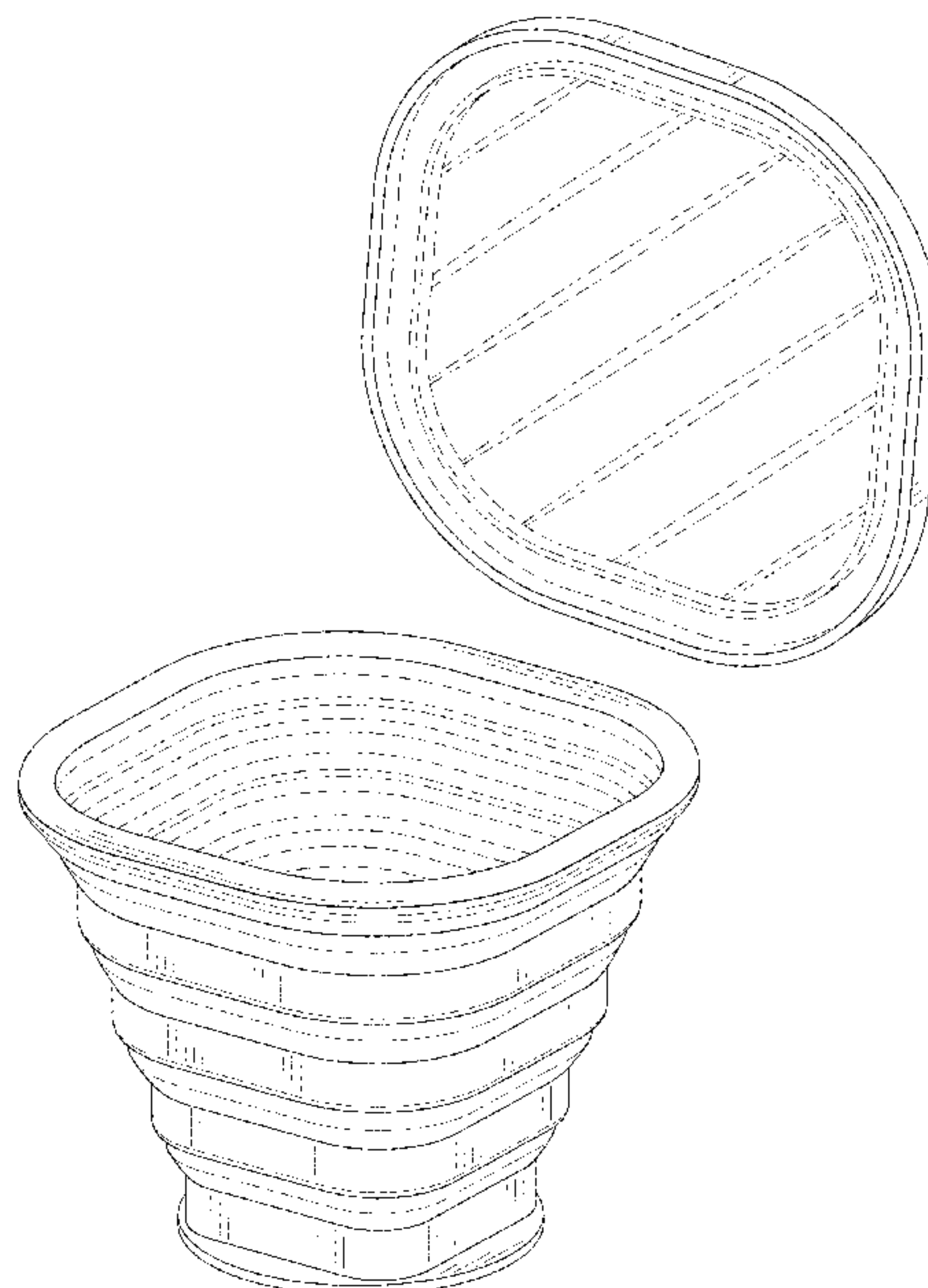
FIG. 1 is a front elevational view of a foldable container showing my new design;  
FIG. 2 is a rear elevational view thereof;  
FIG. 3 is a left side view thereof;  
FIG. 4 is a right side view thereof;  
FIG. 5 is a top plan view thereof;  
FIG. 6 is a bottom plan view thereof;  
FIG. 7 is a top, front and right side perspective view thereof;  
FIG. 8 is a top, front and left side perspective view thereof;  
FIG. 9 is a top perspective view thereof, showing the foldable container with the cap open;  
FIG. 10 is a bottom and front perspective view thereof;  
FIG. 11 is a bottom perspective view thereof, showing the foldable container in a folded state; and,  
FIG. 12 is a top perspective view thereof, showing the foldable container in a folded state with the cap open.  
The broken lines in the drawings illustrate portions of the foldable container which form no part of the claimed design.

(56) **References Cited**

**U.S. PATENT DOCUMENTS**

D231,307 S \* 4/1974 Wofman ..... D7/310  
D274,208 S \* 6/1984 Hildenbrand ..... D7/700  
5,439,128 A \* 8/1995 Fishman ..... A45F 3/20  
206/218  
D483,225 S \* 12/2003 Gain ..... D7/512  
6,736,285 B2 \* 5/2004 Stewart-Stand ..... A45F 3/20  
206/218  
D558,539 S \* 1/2008 Curtin ..... D7/667  
D618,501 S \* 6/2010 Billot ..... D7/400  
D635,398 S \* 4/2011 Watabe ..... D7/400  
D642,433 S \* 8/2011 Tuan ..... D7/400  
D662,794 S \* 7/2012 Enghard ..... D7/700

**1 Claim, 12 Drawing Sheets**



(56)

**References Cited**

U.S. PATENT DOCUMENTS

D778,668	S *	2/2017	Hojo	.....	D7/400
9,723,942	B2 *	8/2017	Do	.....	A47J 31/0626
D828,089	S *	9/2018	Schueler	.....	D7/400
D840,197	S *	2/2019	Lee	.....	D7/667
D853,663	S *	7/2019	Song	.....	D30/129
D856,750	S *	8/2019	Pucci	.....	D7/400
D871,151	S *	12/2019	Hudson	.....	D7/532
2005/0127074	A1 *	6/2005	Kusuma	.....	B65D 21/086
					220/6
2010/0140279	A1 *	6/2010	Tyson	.....	B65D 21/086
					220/666

\* cited by examiner

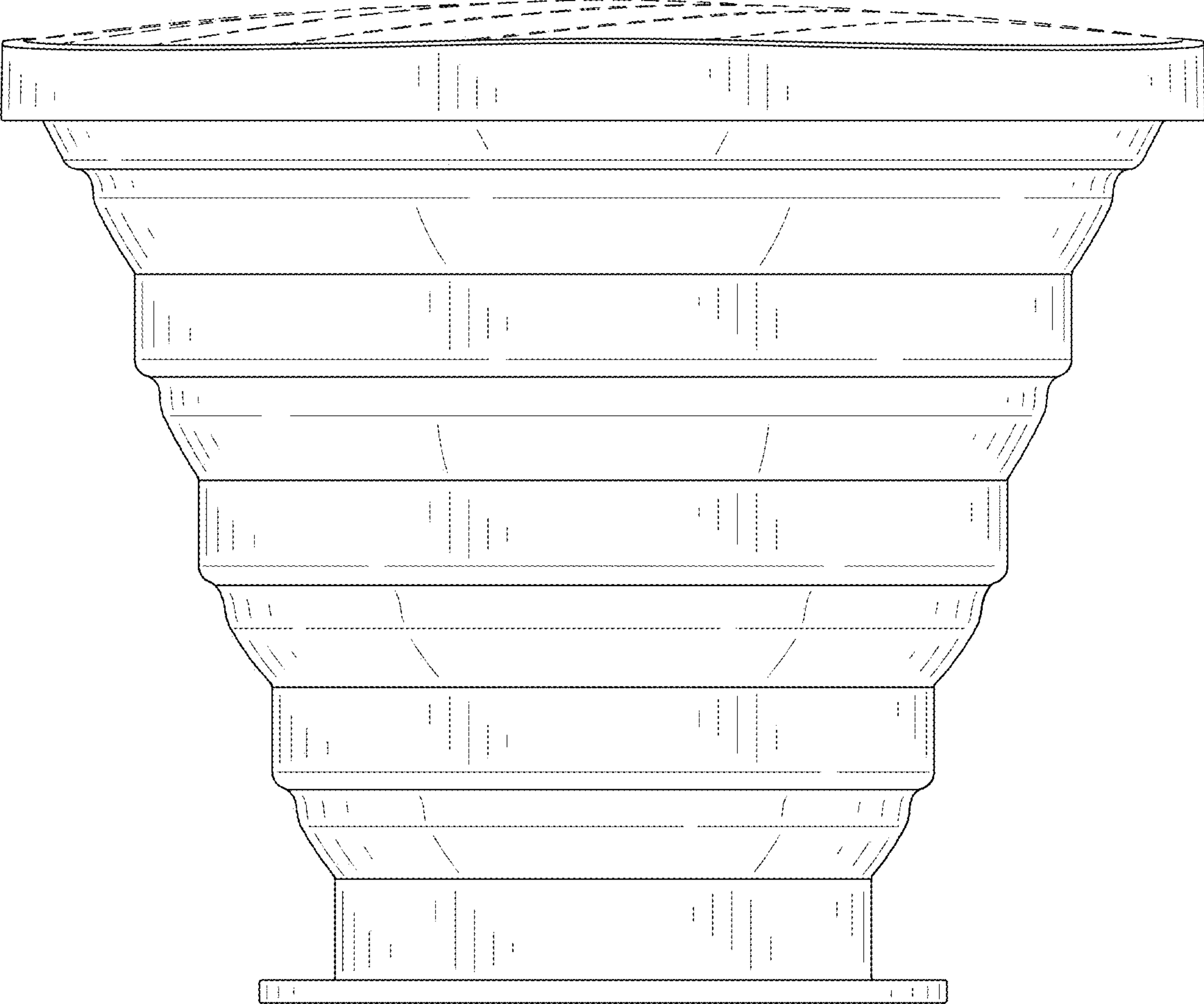


FIG. 1

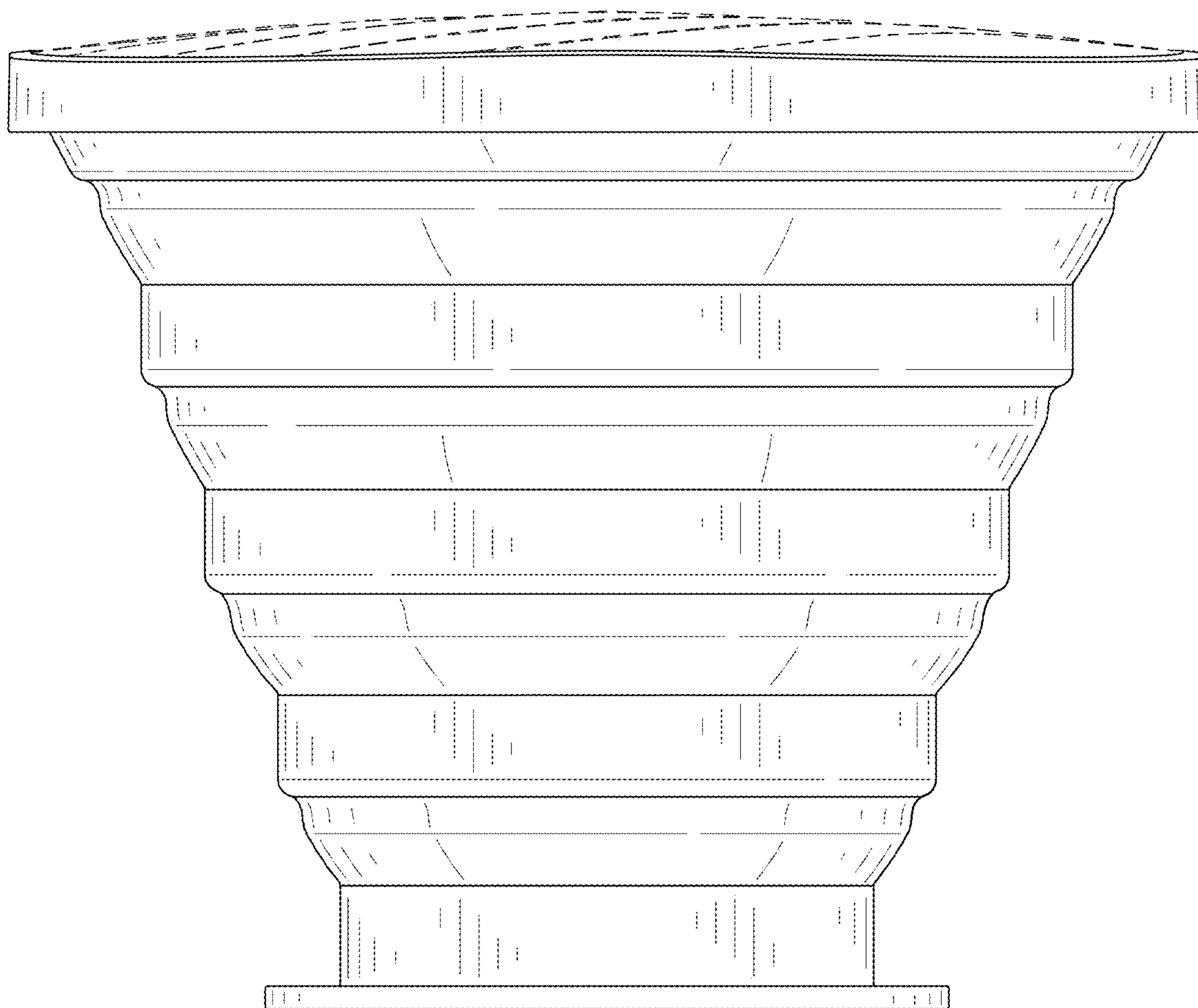


FIG. 2

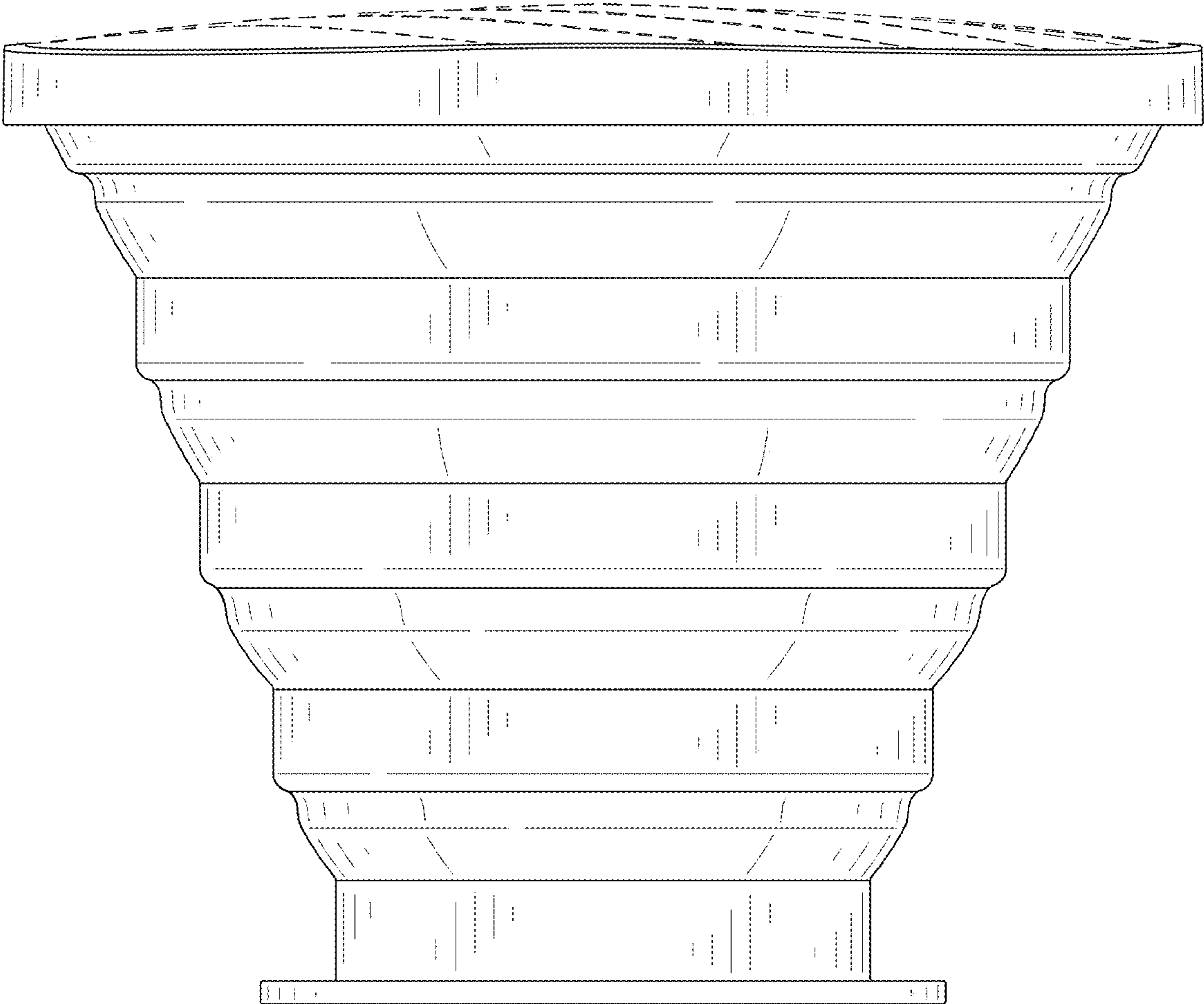


FIG. 3

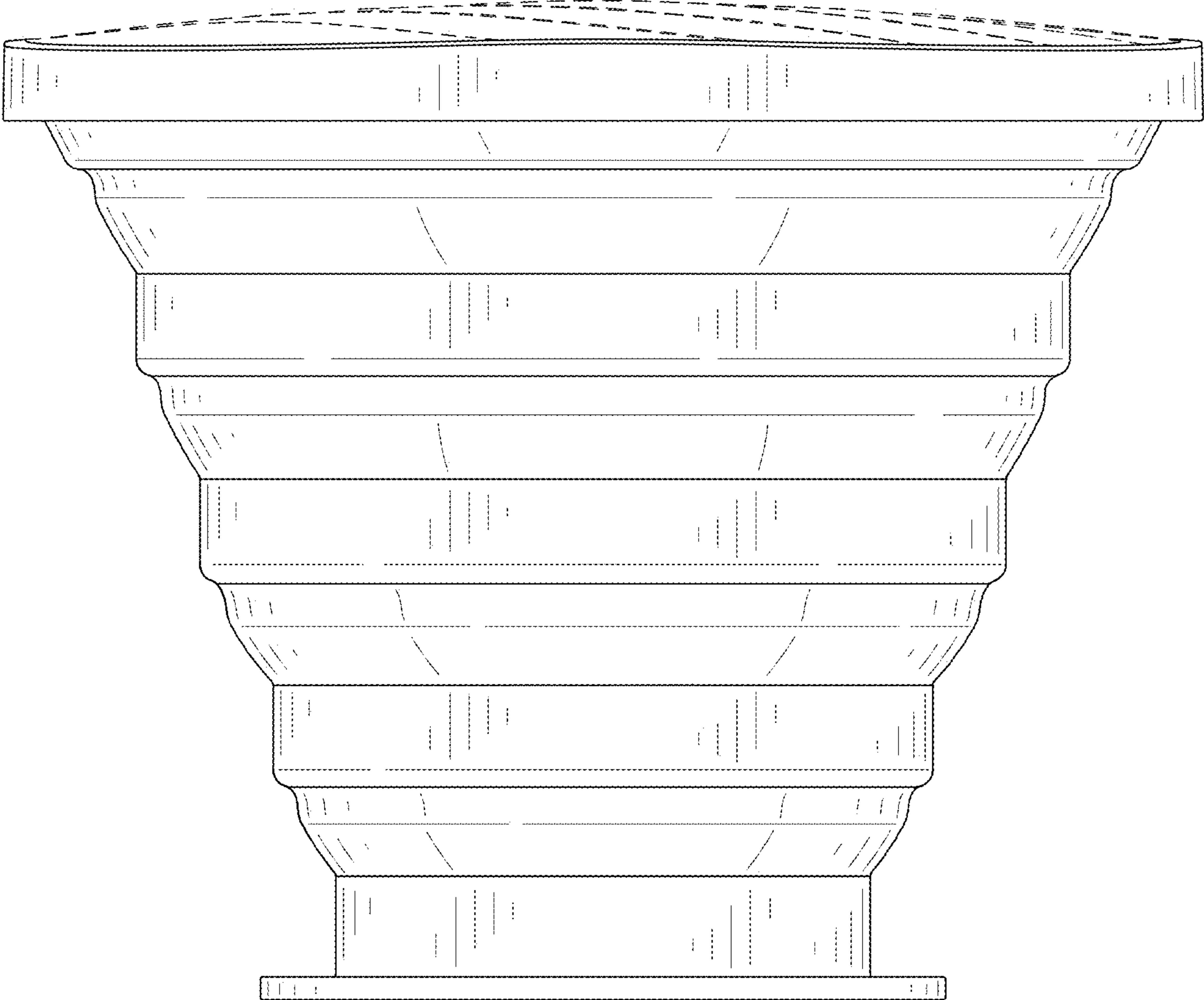


FIG. 4



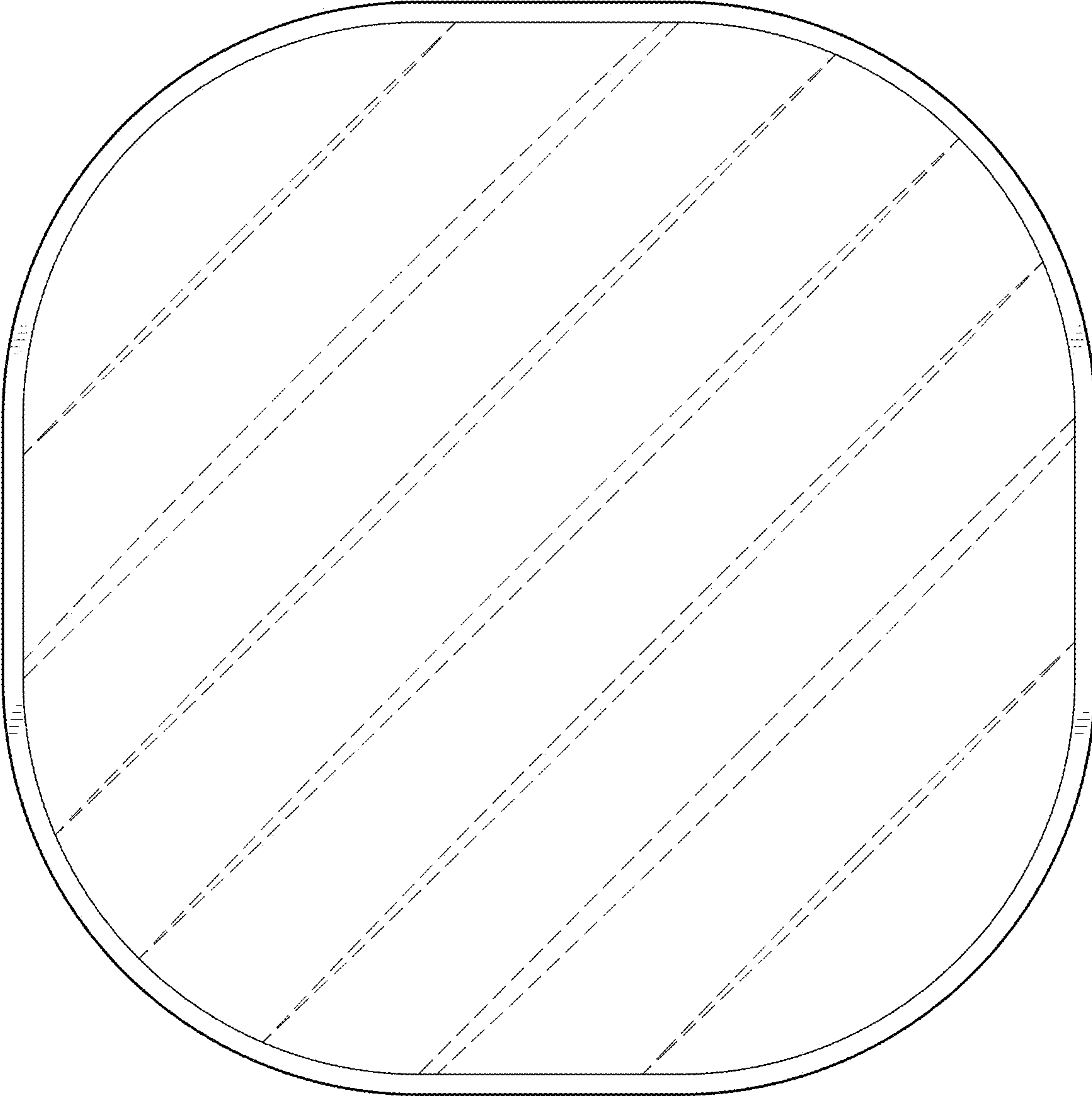


FIG. 5

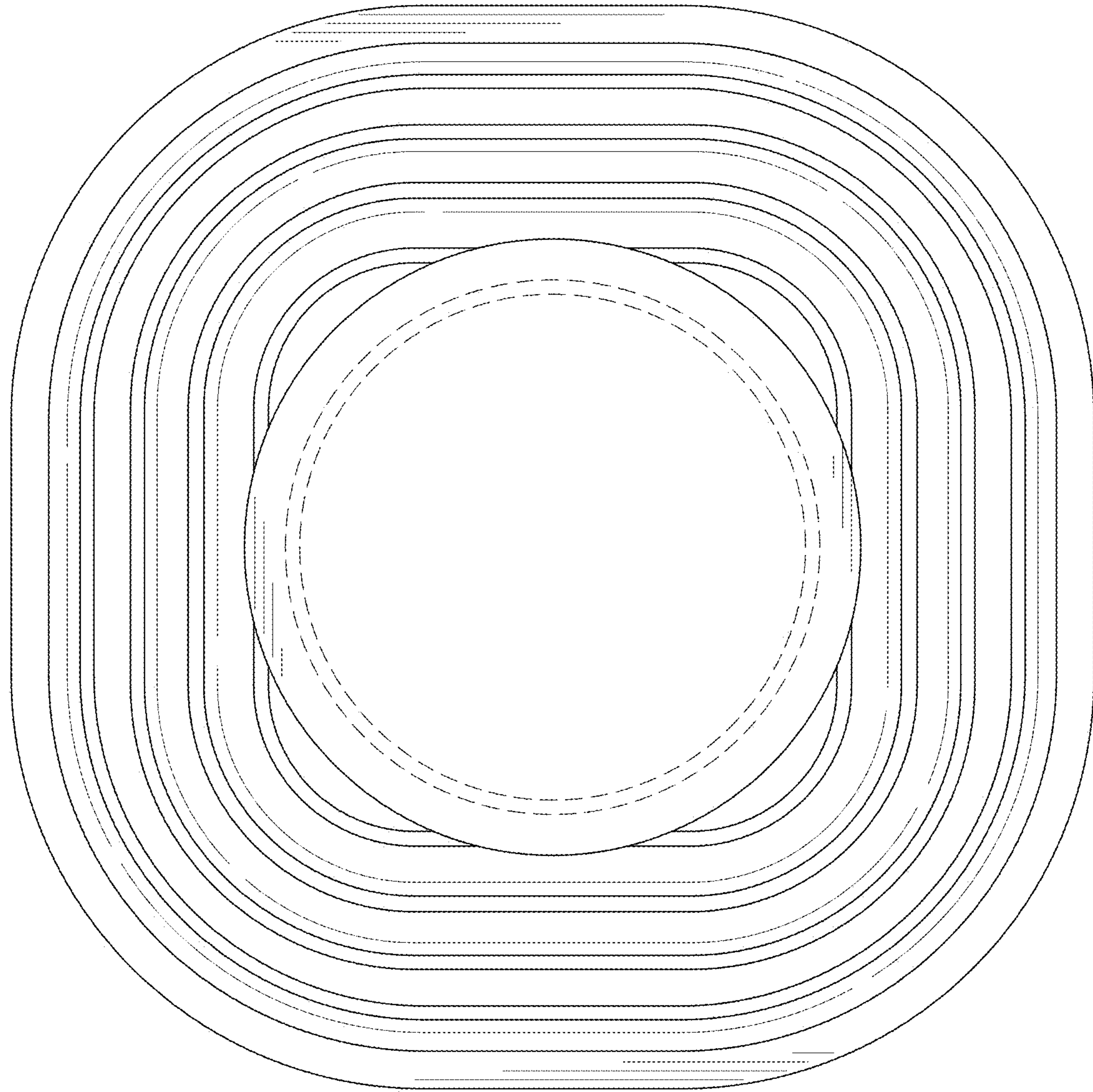


FIG. 6



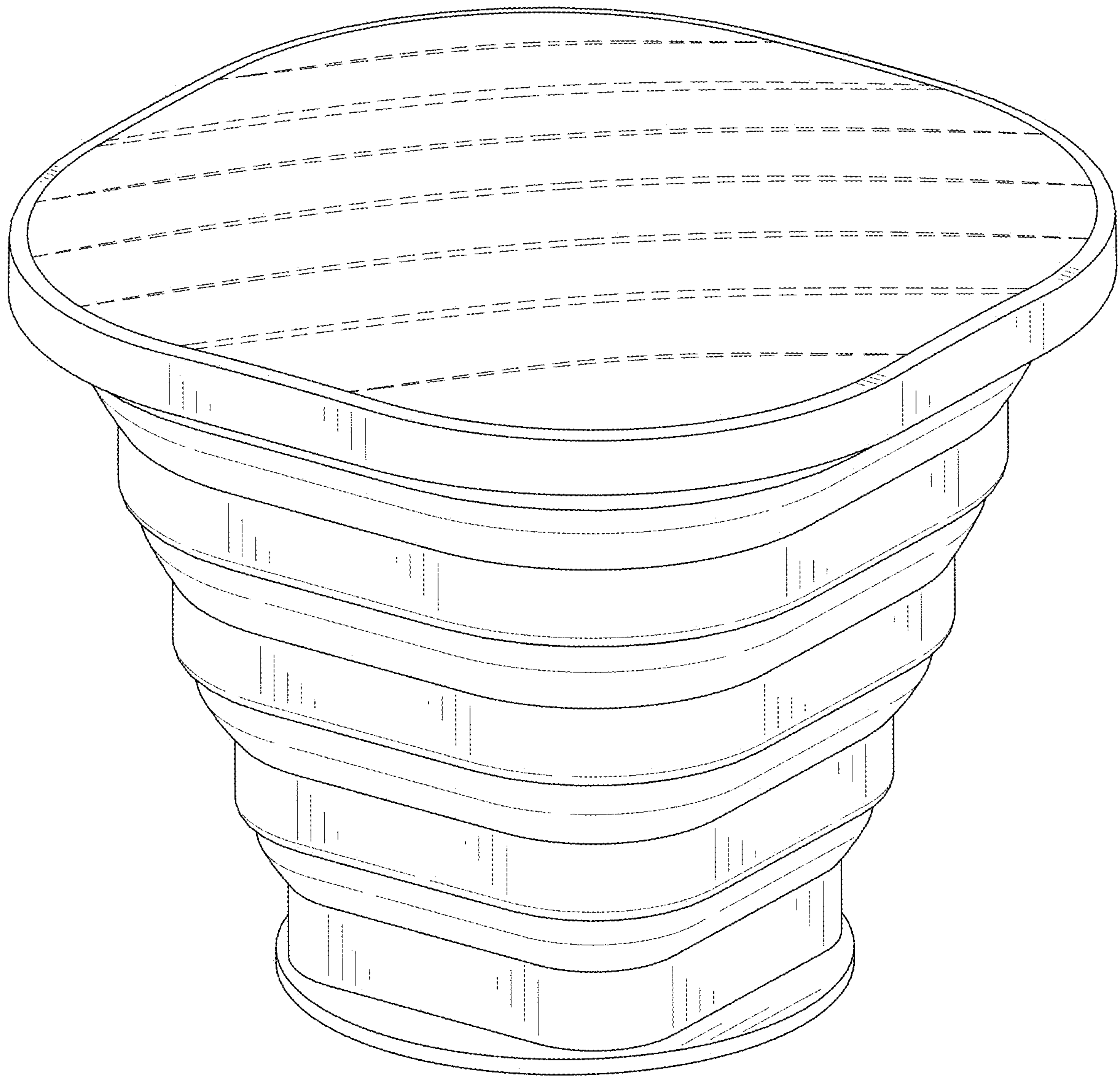


FIG. 7

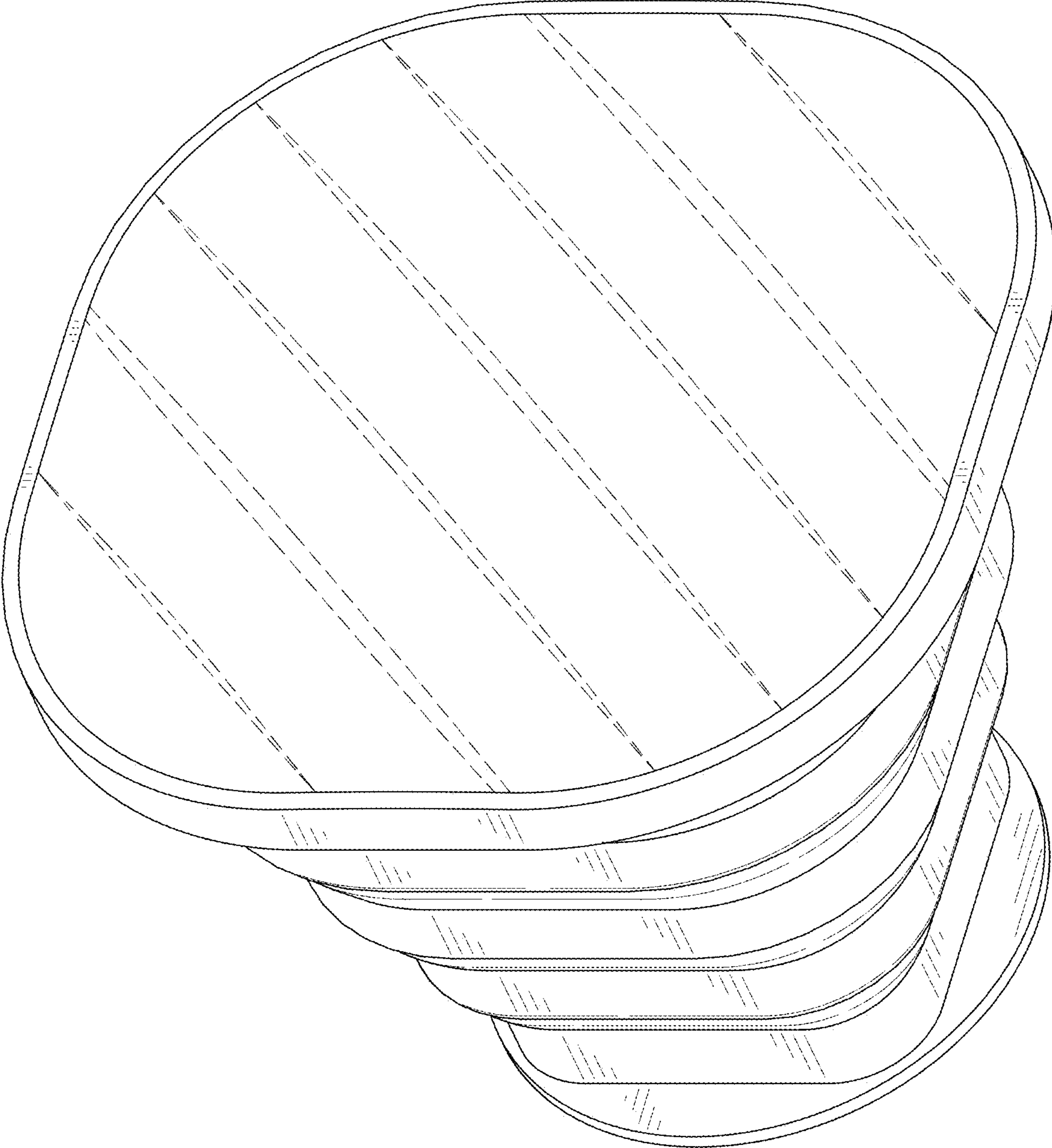


FIG. 8

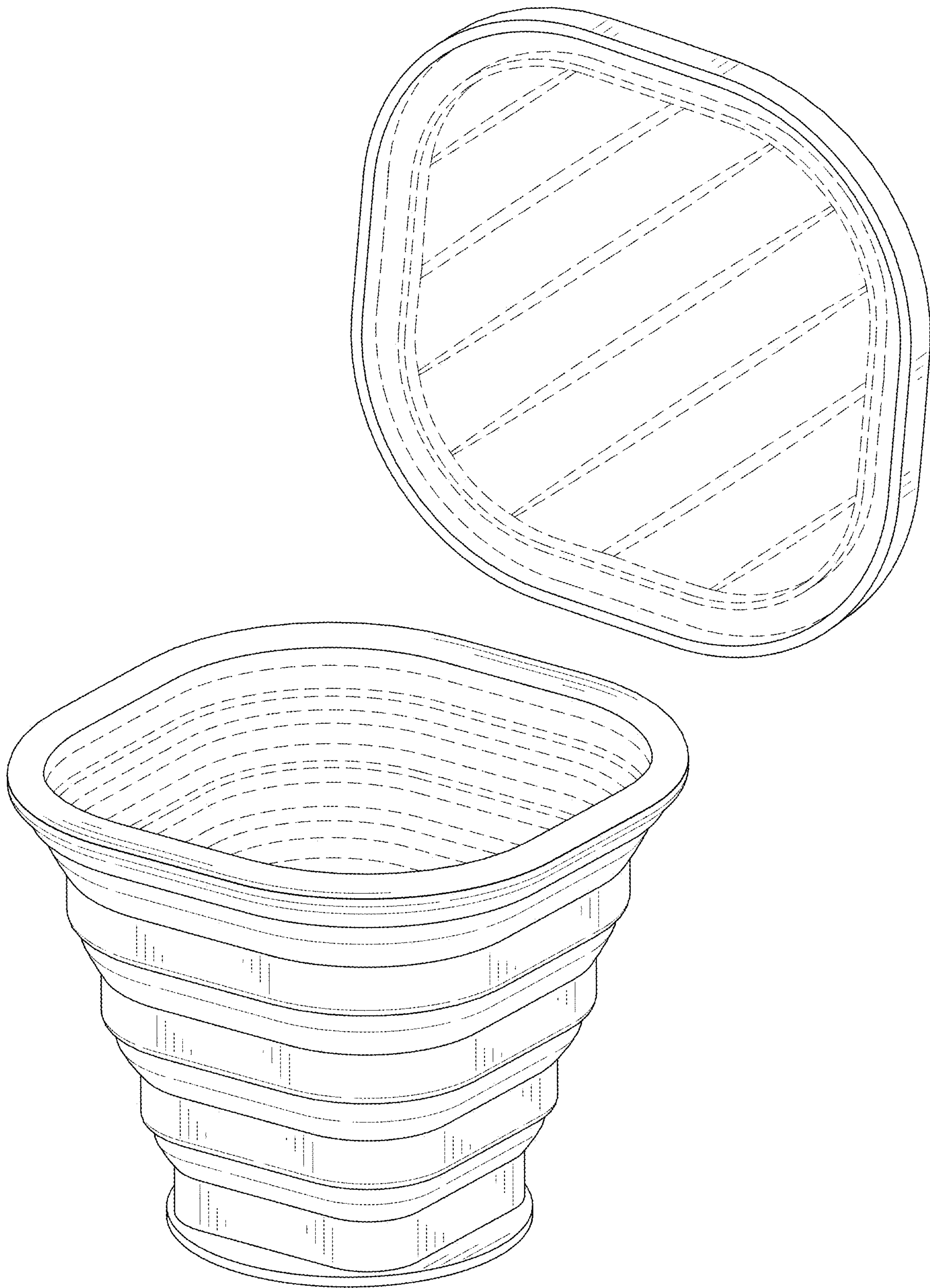


FIG. 9

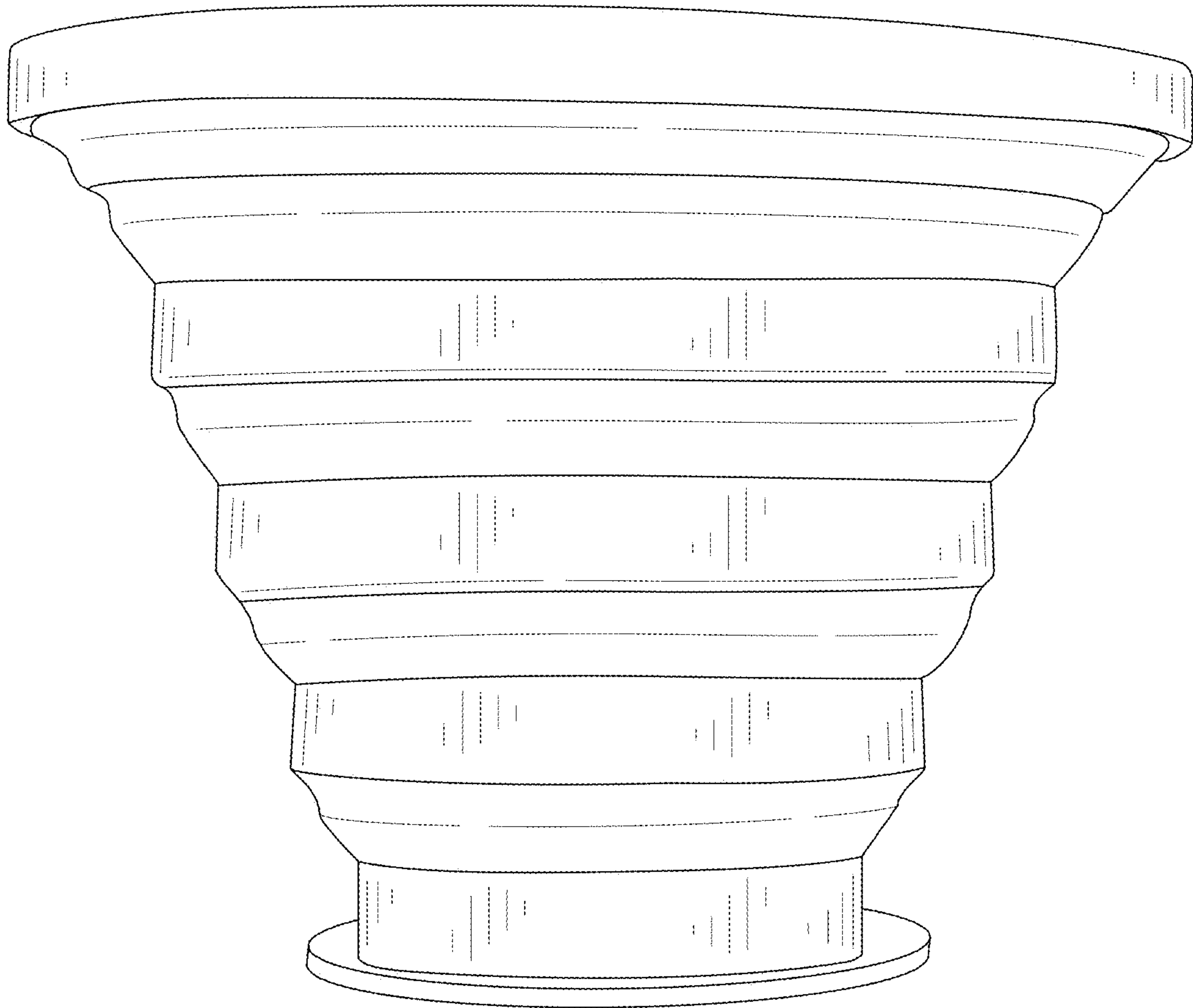


FIG. 10



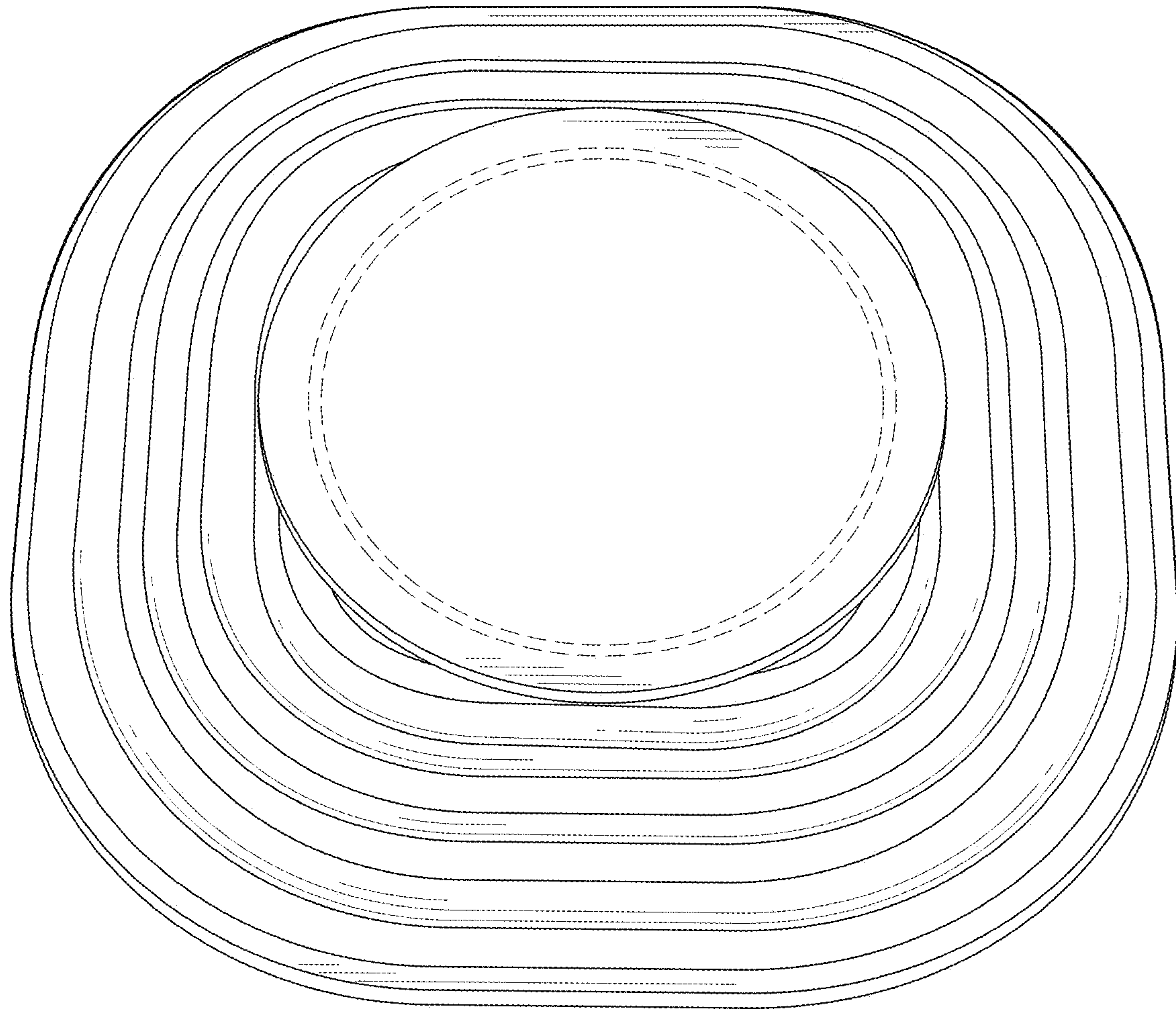


FIG. 11



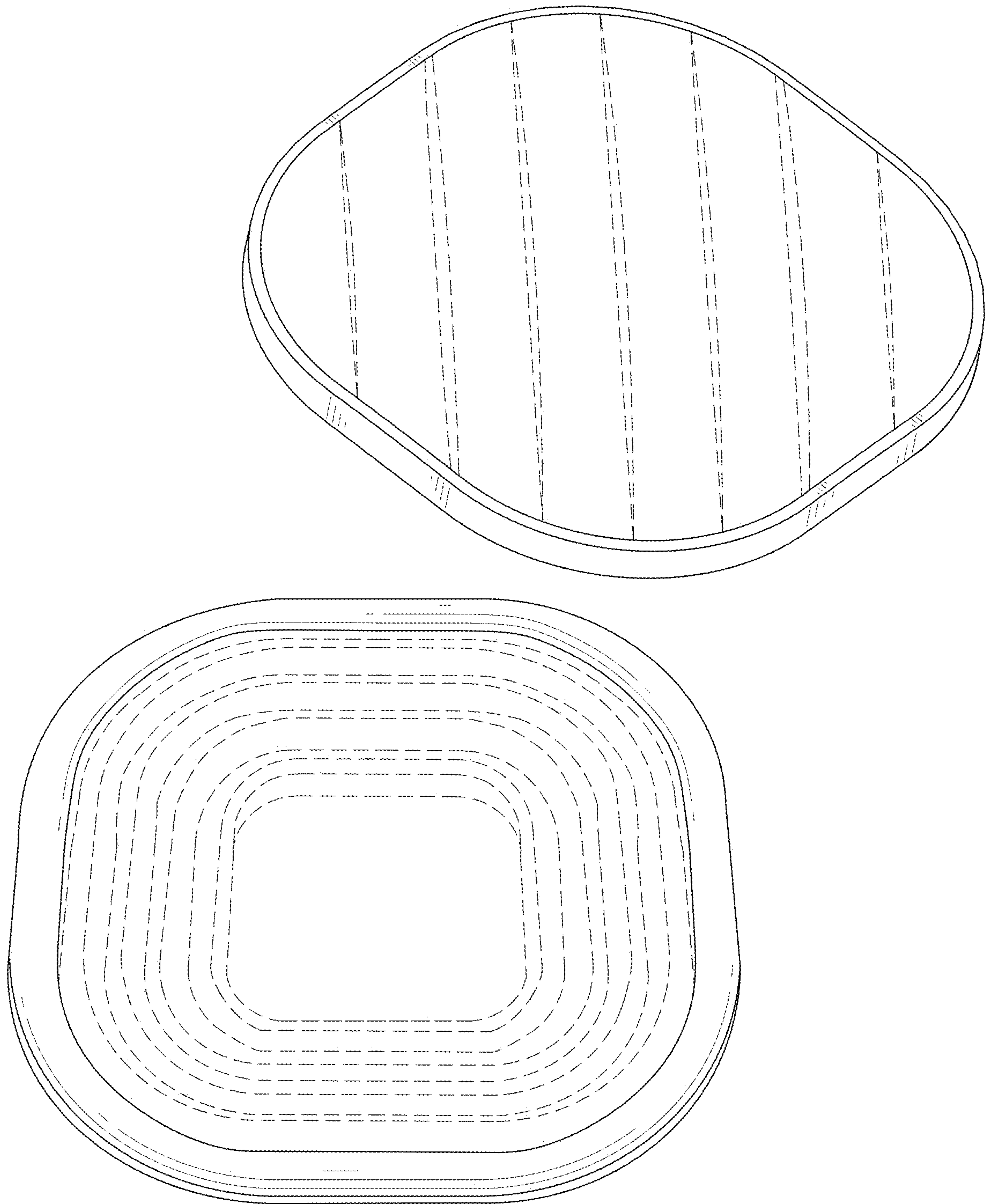


FIG. 12