



US00D888494S

(12) **United States Design Patent**
Finnance

(10) **Patent No.:** **US D888,494 S**
(45) **Date of Patent:** **** Jun. 30, 2020**

(54) **VESSEL FOR BLENDER**

(71) Applicant: **Capbran Holdings, LLC**, Los Angeles, CA (US)

(72) Inventor: **Robert Finnance**, Los Angeles, CA (US)

(73) Assignee: **Capbran Holdings, LLC**, Los Angeles, CA (US)

(**) Term: **15 Years**

(21) Appl. No.: **29/687,739**

(22) Filed: **Apr. 15, 2019**

(51) **LOC (12) Cl.** **31-00**

(52) **U.S. Cl.**
USPC **D7/413; D7/376; D7/378; D7/386; D7/412**

(58) **Field of Classification Search**
USPC **D7/326, 358, 372, 376-386, 412-413, D7/536, 602, 629, 665-666, 669, 679, D7/693-694**

(Continued)

(56) **References Cited**

U.S. PATENT DOCUMENTS

D423,872 S * 5/2000 Blaise D7/378
D487,668 S * 3/2004 Sands D7/378

(Continued)

Primary Examiner — Ricky Pham

(74) *Attorney, Agent, or Firm* — Trojan Law Offices

(57) **CLAIM**

The ornamental design for a vessel for blender, as shown and described.

DESCRIPTION

FIG. 1 is a front perspective view of a combined vessel, lid, and cap, in accordance with an embodiment of the present invention;

FIG. 2 is a bottom perspective view of the combined vessel, lid, and cap of FIG. 1;

FIG. 3 is a front view of the combined vessel, lid, and cap of FIG. 1;

FIG. 4 is a rear view of the combined vessel, lid, and cap of FIG. 1;

FIG. 5 is a left side view of the combined vessel, lid, and cap of FIG. 1;

FIG. 6 is a right side view of the combined vessel, lid, and cap of FIG. 1;

FIG. 7 is a top view of the combined vessel, lid, and cap of FIG. 1;

FIG. 8 is a bottom view of the combined vessel, lid, and cap of FIG. 1;

FIG. 9 is a front perspective view of a vessel lid and the combined vessel, lid, and cap of FIG. 1;

FIG. 10 is a front perspective view of the vessel for blender of FIG. 1;

FIG. 11 is a bottom perspective view of the vessel for blender of FIG. 1;

FIG. 12 is a left side view of the vessel for blender of FIG. 1;

FIG. 13 is a right side view of the vessel for blender of FIG. 1;

FIG. 14 is a front view of the vessel for blender of FIG. 1;

FIG. 15 is a top view of the vessel for blender of FIG. 1;

FIG. 16 is a bottom view of the vessel for blender of FIG. 1;

FIG. 17 is a front perspective view of lid of FIG. 1;

FIG. 18 is a bottom perspective view of the lid of FIG. 1;

FIG. 19 is a side view of the lid of FIG. 1;

FIG. 20 is a top view of the lid of FIG. 1;

FIG. 21 is a bottom view of the lid of FIG. 1;

FIG. 22 is a front perspective view of the cap of FIG. 1;

FIG. 23 is a bottom perspective view of the cap of FIG. 1;

FIG. 24 is a front view of the cap of FIG. 1;

FIG. 25 is a side view of the cap of FIG. 1;

FIG. 26 is a top view of the cap of FIG. 1;

FIG. 27 is a bottom view of the cap of FIG. 1;

FIG. 28 is a front perspective view of the vessel lid of FIG. 9;

FIG. 29 is a bottom perspective view of the vessel lid of FIG. 9;

FIG. 30 is a left side view of the vessel lid of FIG. 9;

(Continued)

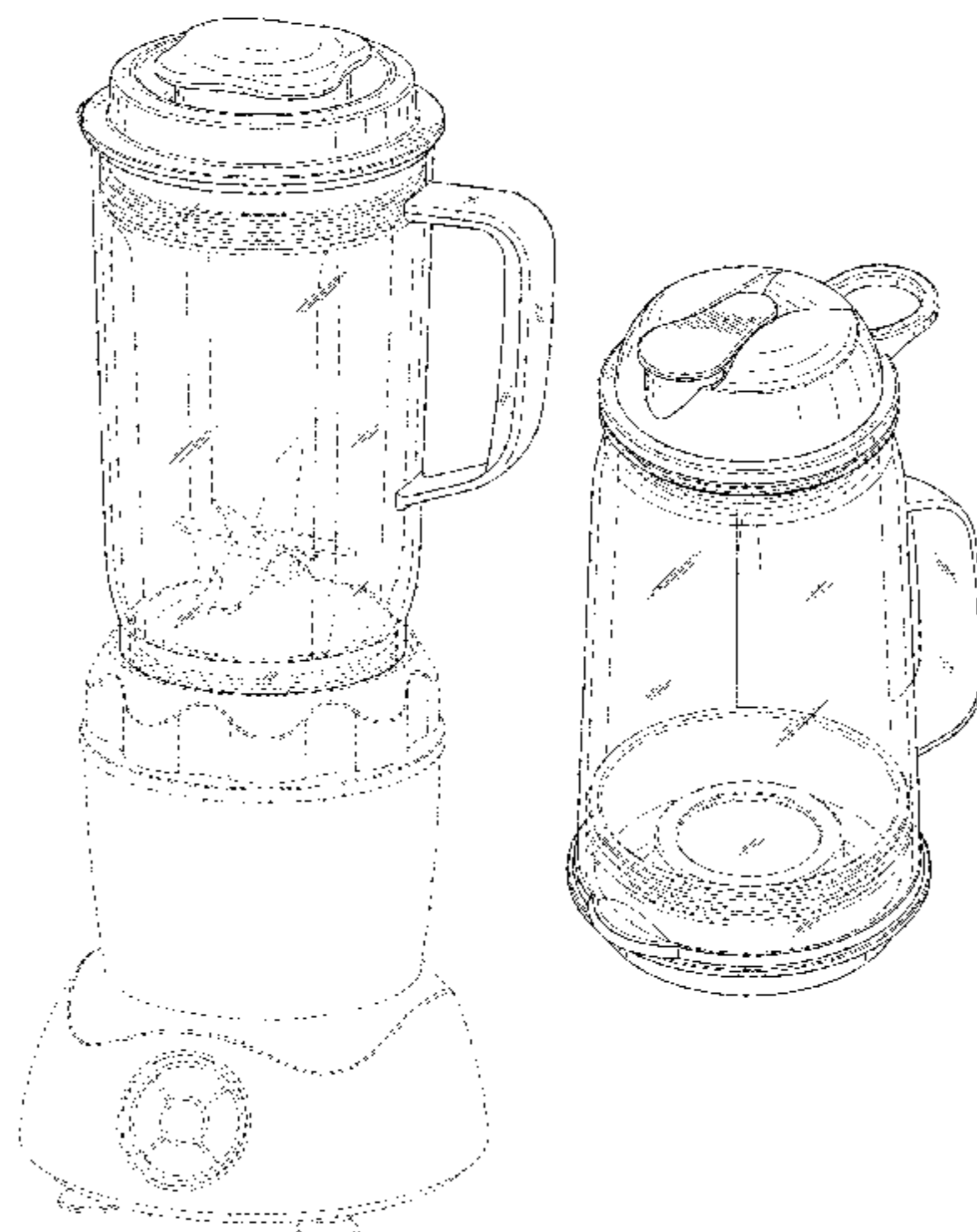


FIG. 31 is a right side view of the vessel lid of FIG. 9;
FIG. 32 is a front view of the vessel lid of FIG. 9;
FIG. 33 is a top view of the vessel lid of FIG. 9; and,
FIG. 34 is a bottom view of the vessel lid of FIG. 9.
Any broken lines, shown throughout in the drawing figures,
are included for the purpose of illustrating environmental
structures and form no part of the claimed design.

1 Claim, 16 Drawing Sheets

(58) **Field of Classification Search**

CPC A21C 1/02; A21C 1/04; A23N 1/00; A23N
1/02; A47J 43/04; A47J 43/25; A47J
43/27; A47J 43/042; A47J 43/044; A47J
43/046; A47J 43/075; A47J 43/0722;
A47J 43/0727; B01F 3/00; B01F 3/0807;
B01F 3/0853; B01F 13/0059; B01F
13/0064; B02C 1/08; B02C 2/04; B02C

4/42; B02C 4/142; B02C 4/143; B02C
4/423; B02C 13/1835; B28C 5/10; B28C
5/12; B28C 5/14; B28C 5/16

See application file for complete search history.

(56)

References Cited

U.S. PATENT DOCUMENTS

6,817,750	B1 *	11/2004	Sands	A47J 43/046 366/205
D501,759	S *	2/2005	Sands	D7/378
D518,994	S *	4/2006	Lin	D7/378
D530,975	S *	10/2006	Fernandez	D7/378
D554,427	S *	11/2007	Sands	D7/378
D710,141	S *	8/2014	Vulliermet	D7/326
D712,196	S *	9/2014	Ho	D7/378
D715,095	S *	10/2014	Ho	D7/376
D743,202	S *	11/2015	Sands	D7/354
D793,803	S *	8/2017	Patel	D7/376
D832,641	S *	11/2018	Sapire	D7/378

* cited by examiner

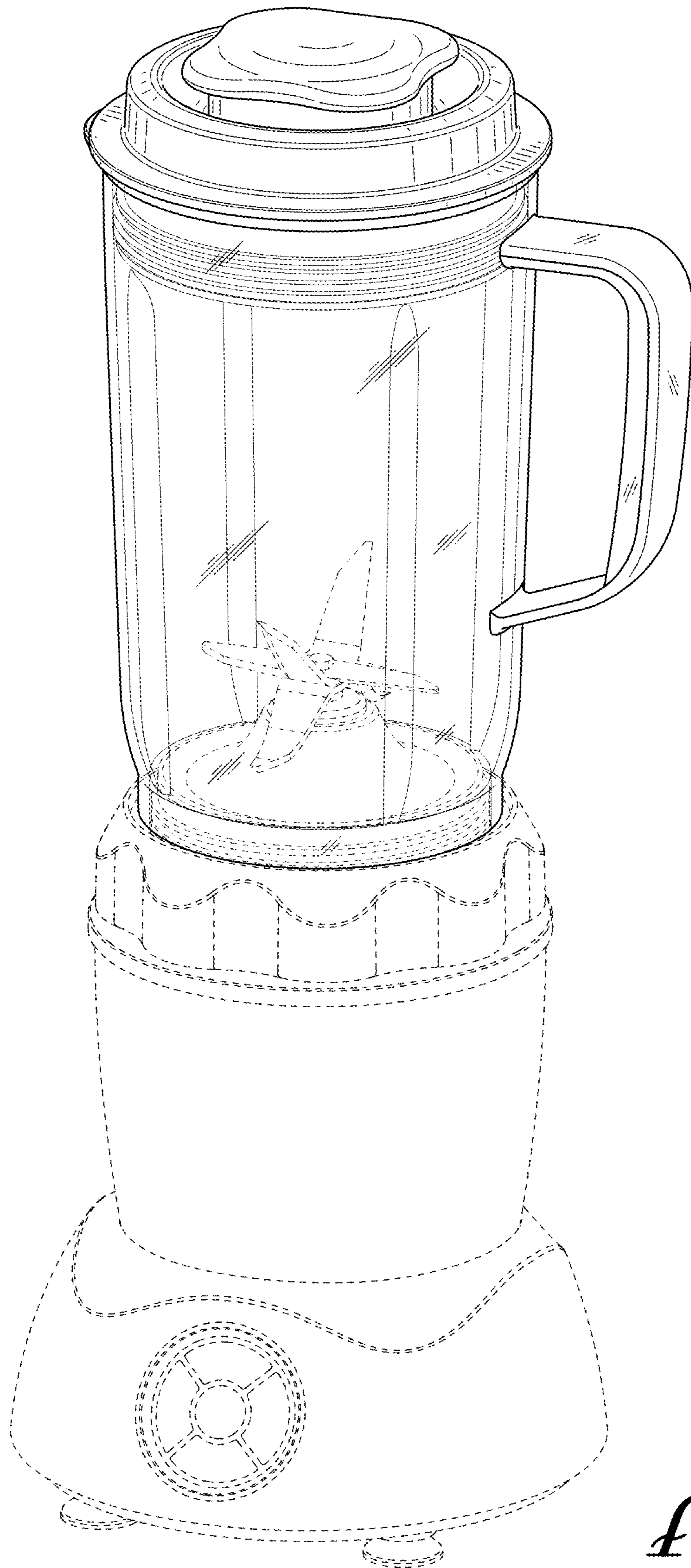


FIG. 1

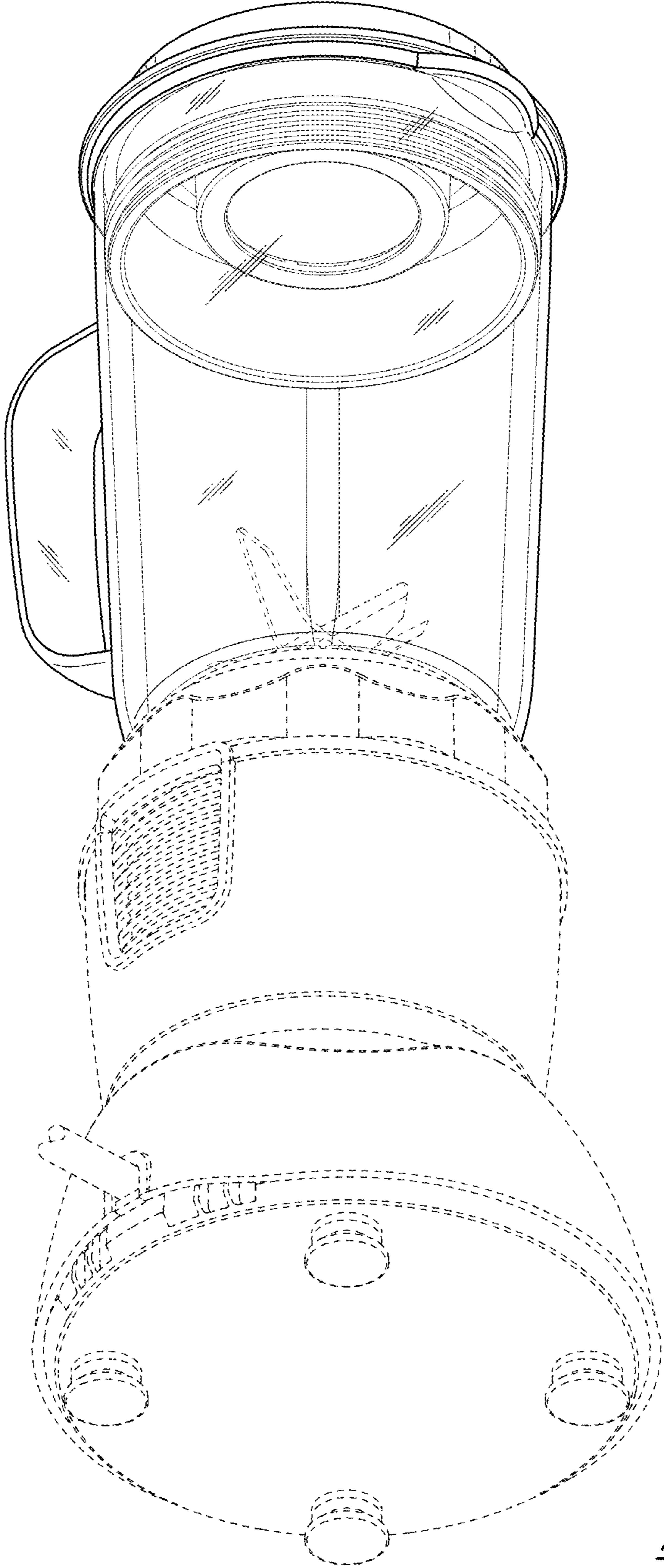


FIG. 2

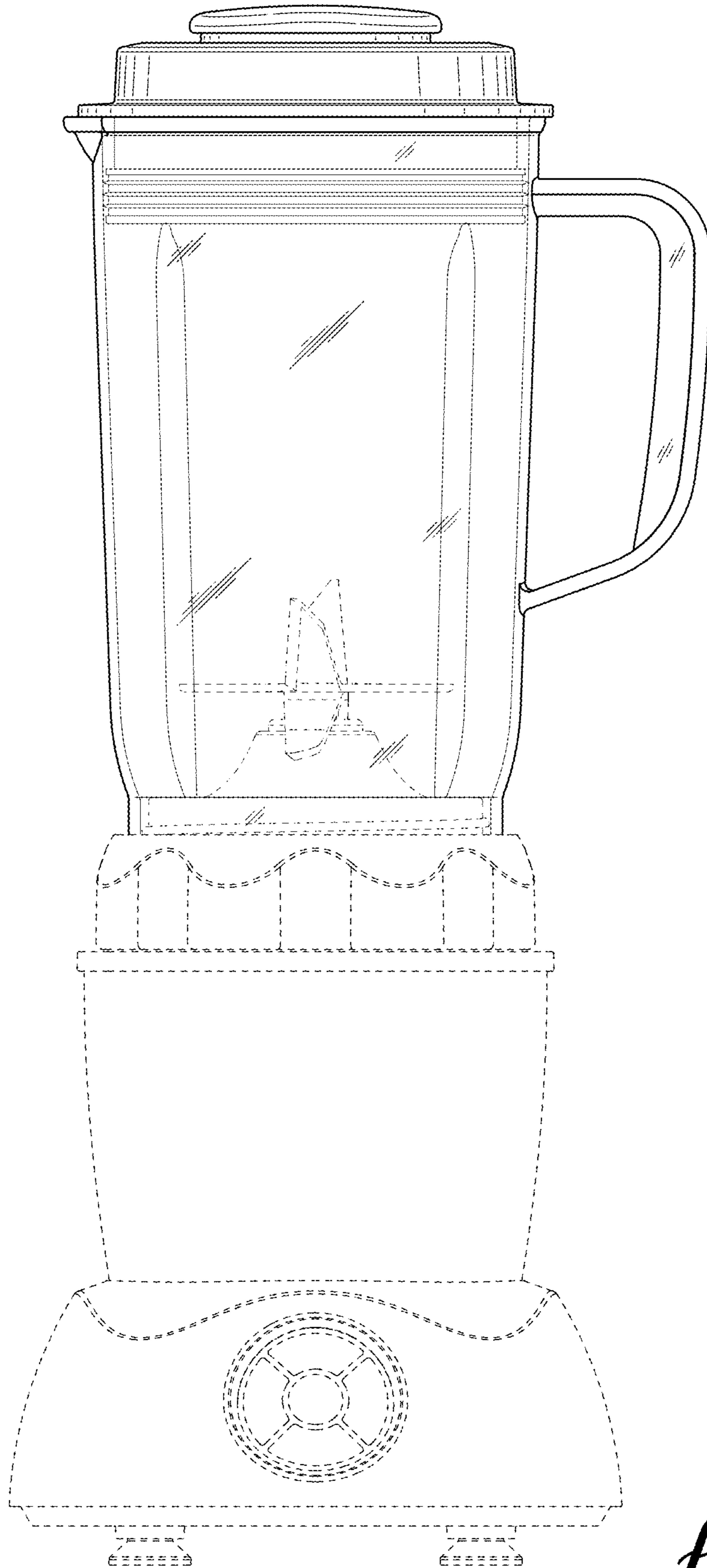


Fig. 3

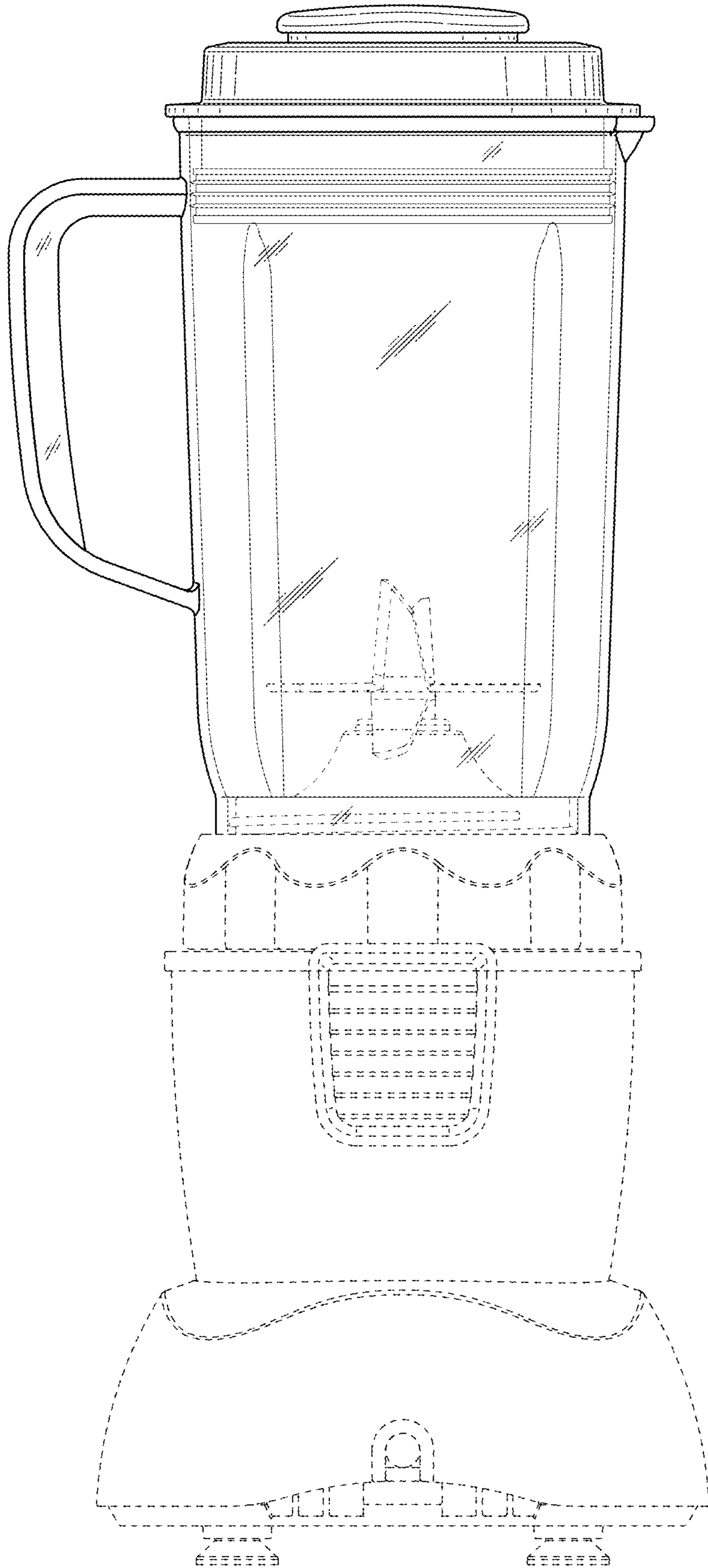


FIG. 4

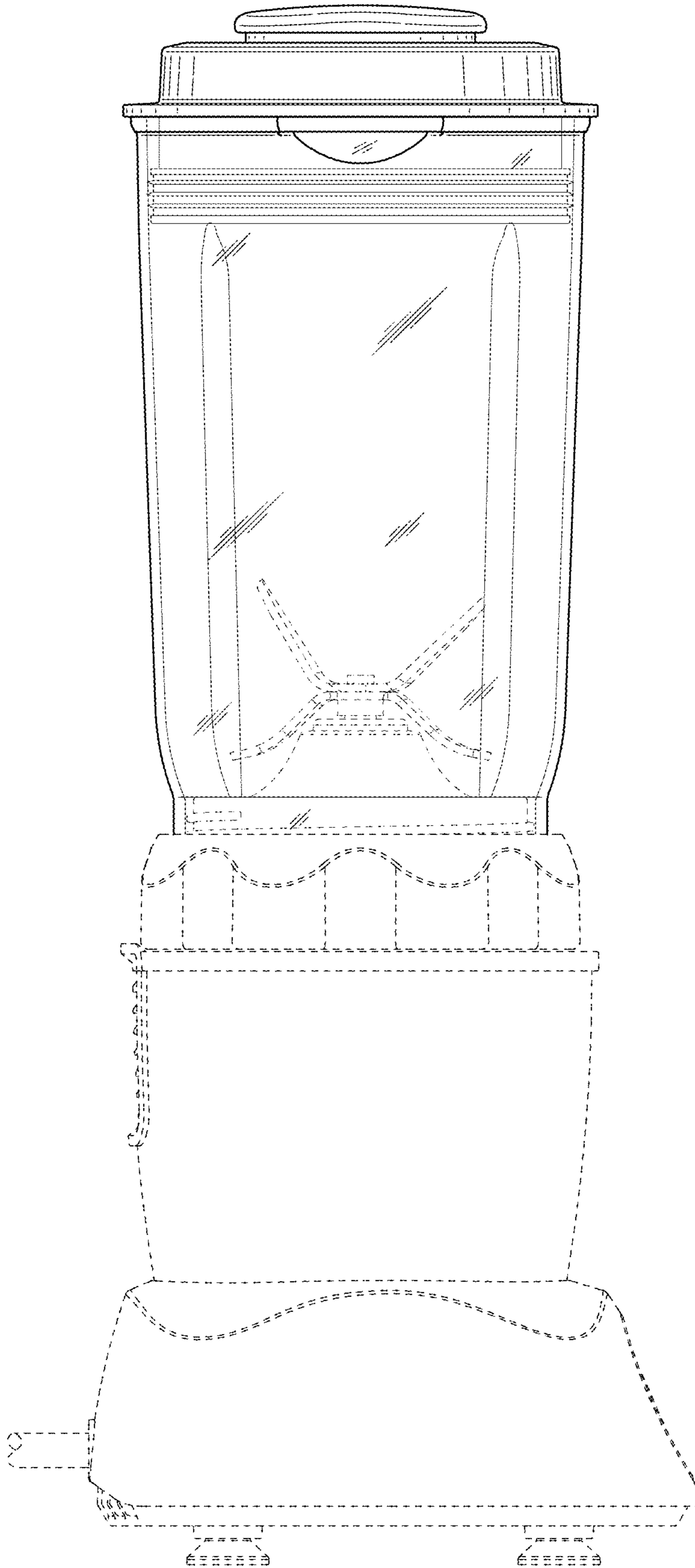


FIG. 5

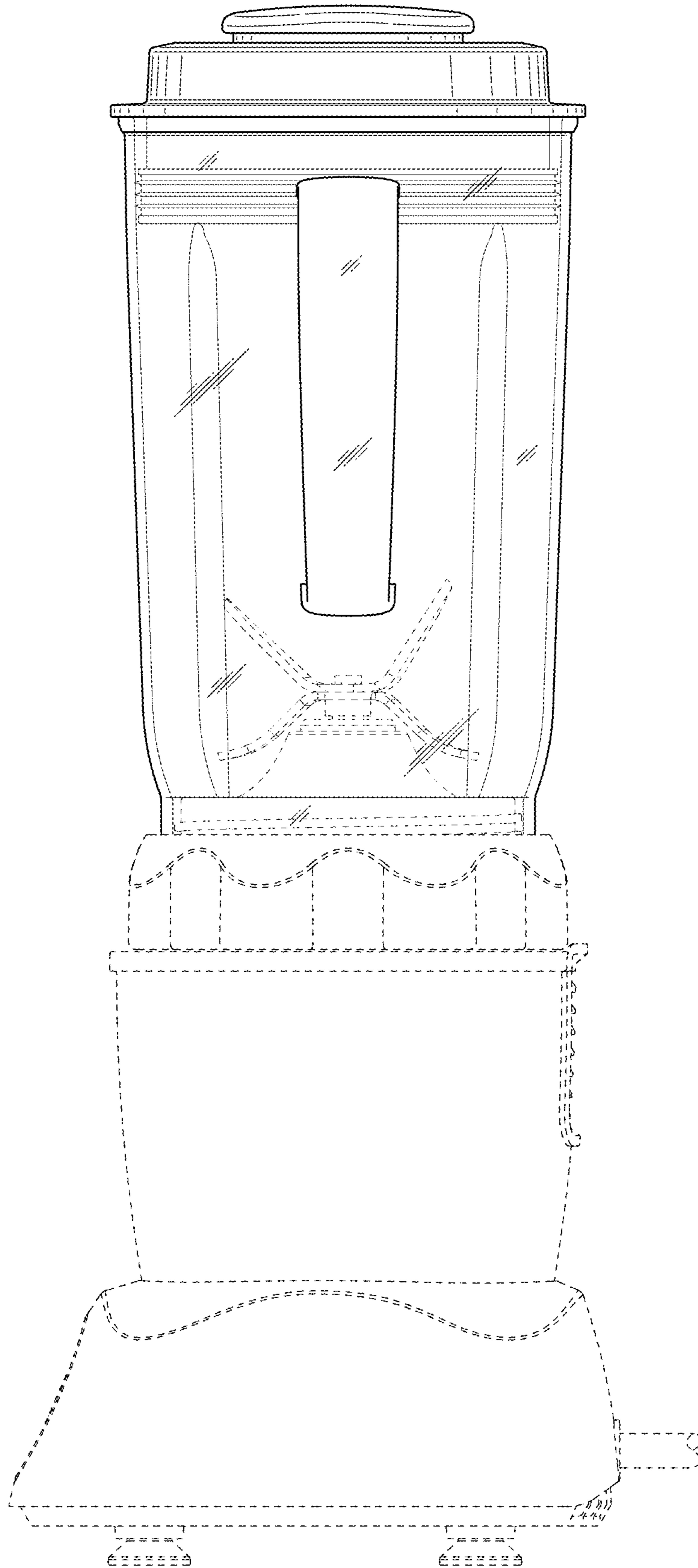


FIG. 6

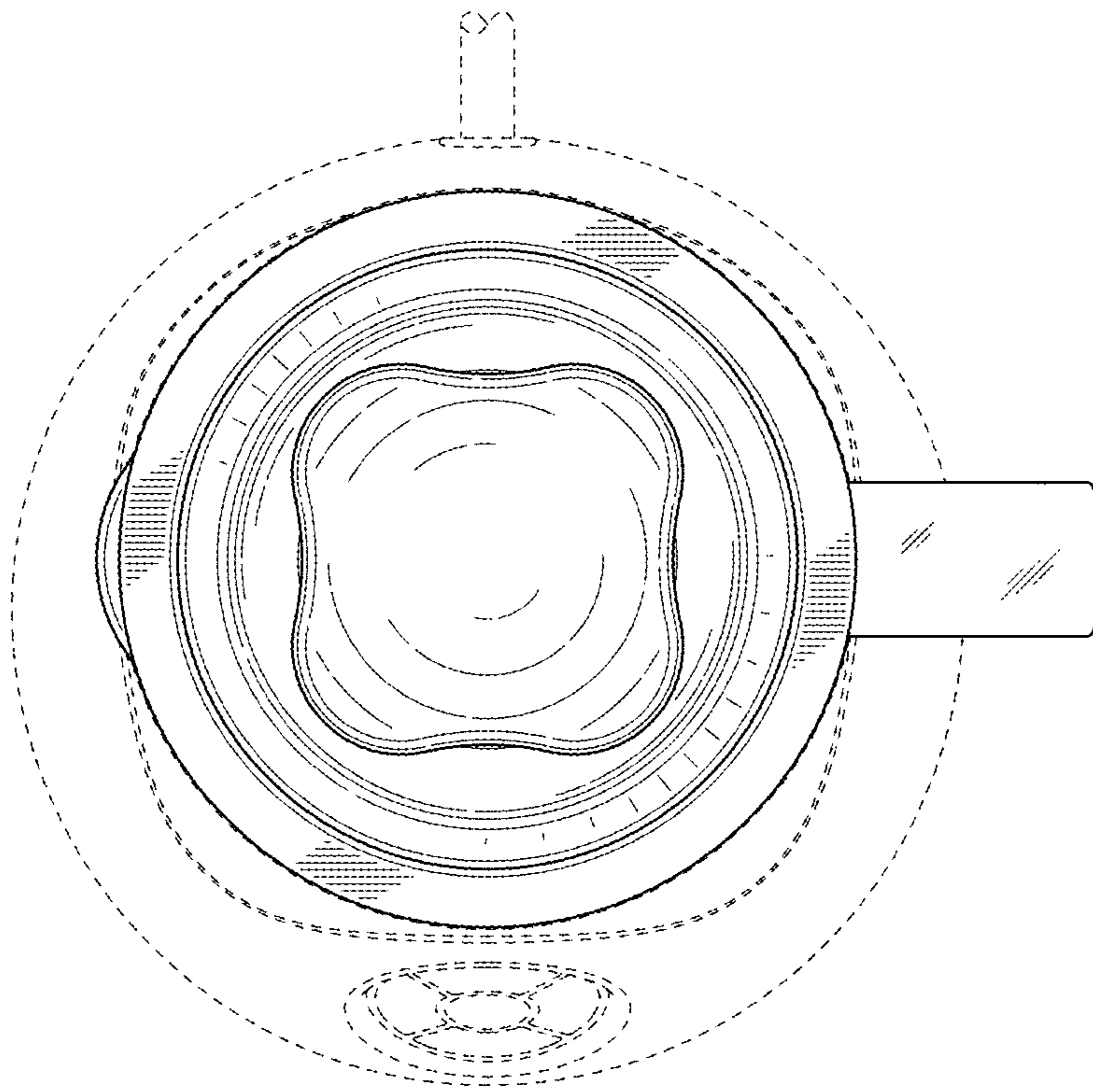


FIG. 7

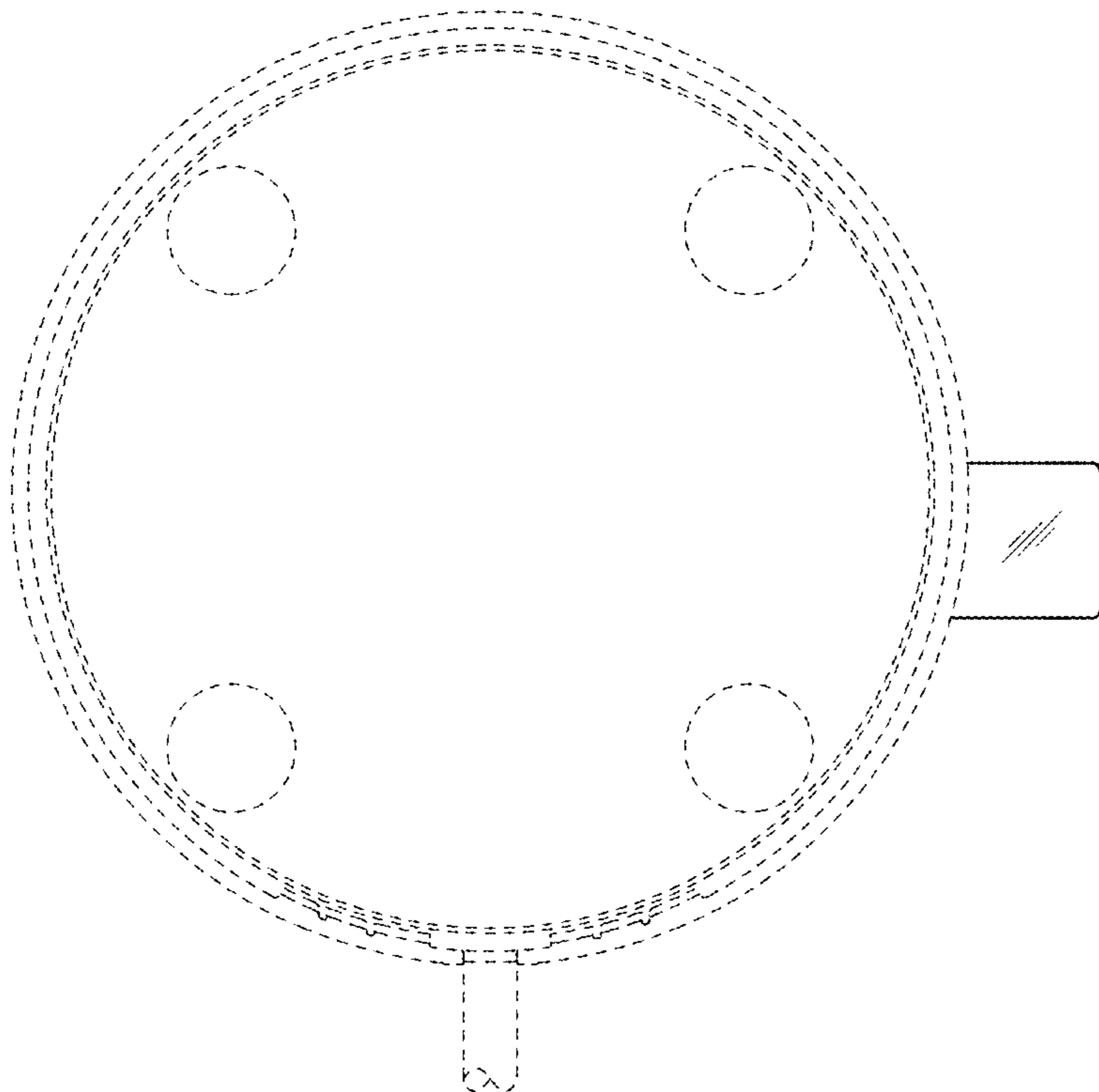


FIG. 8

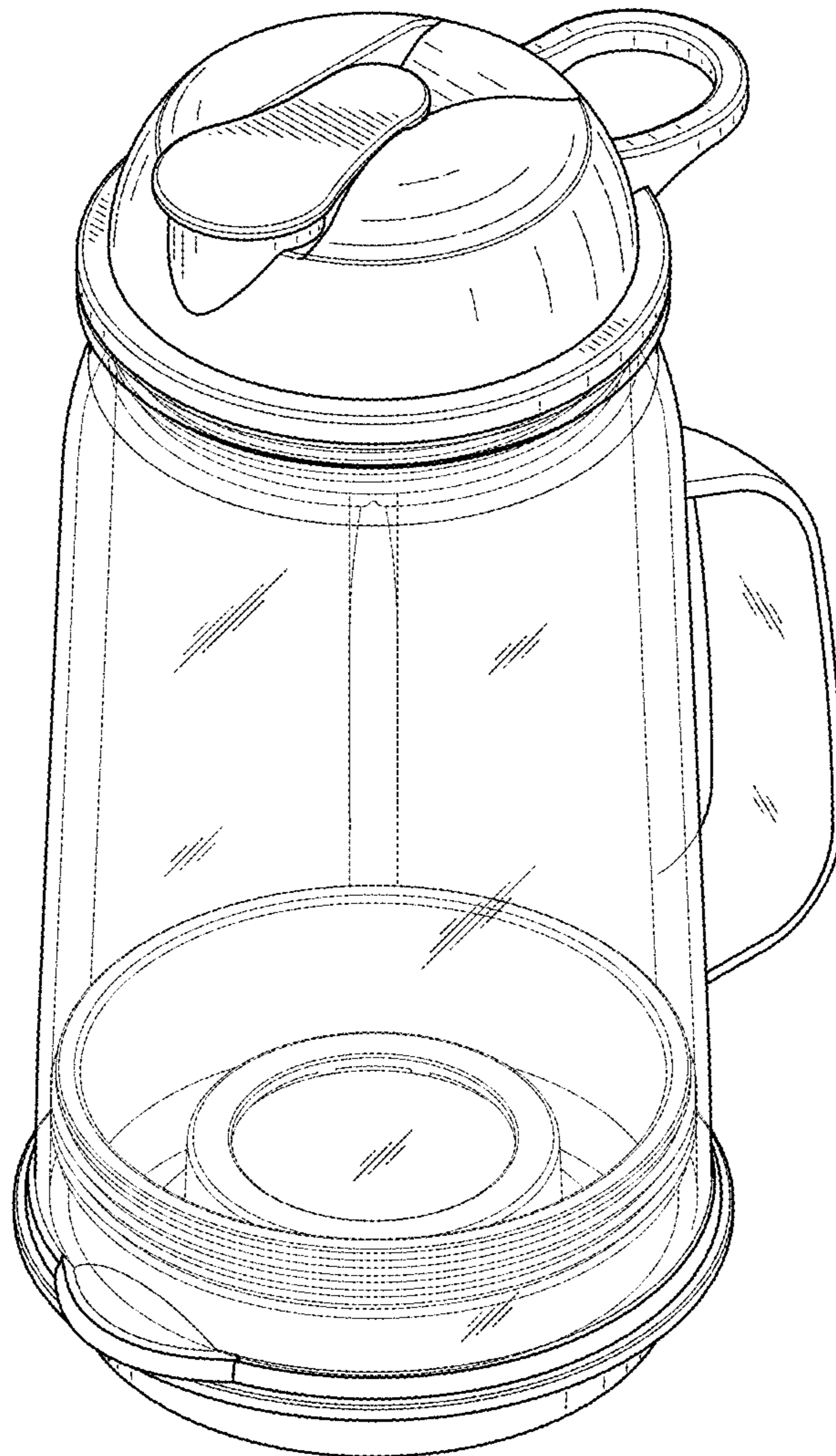


FIG. 9

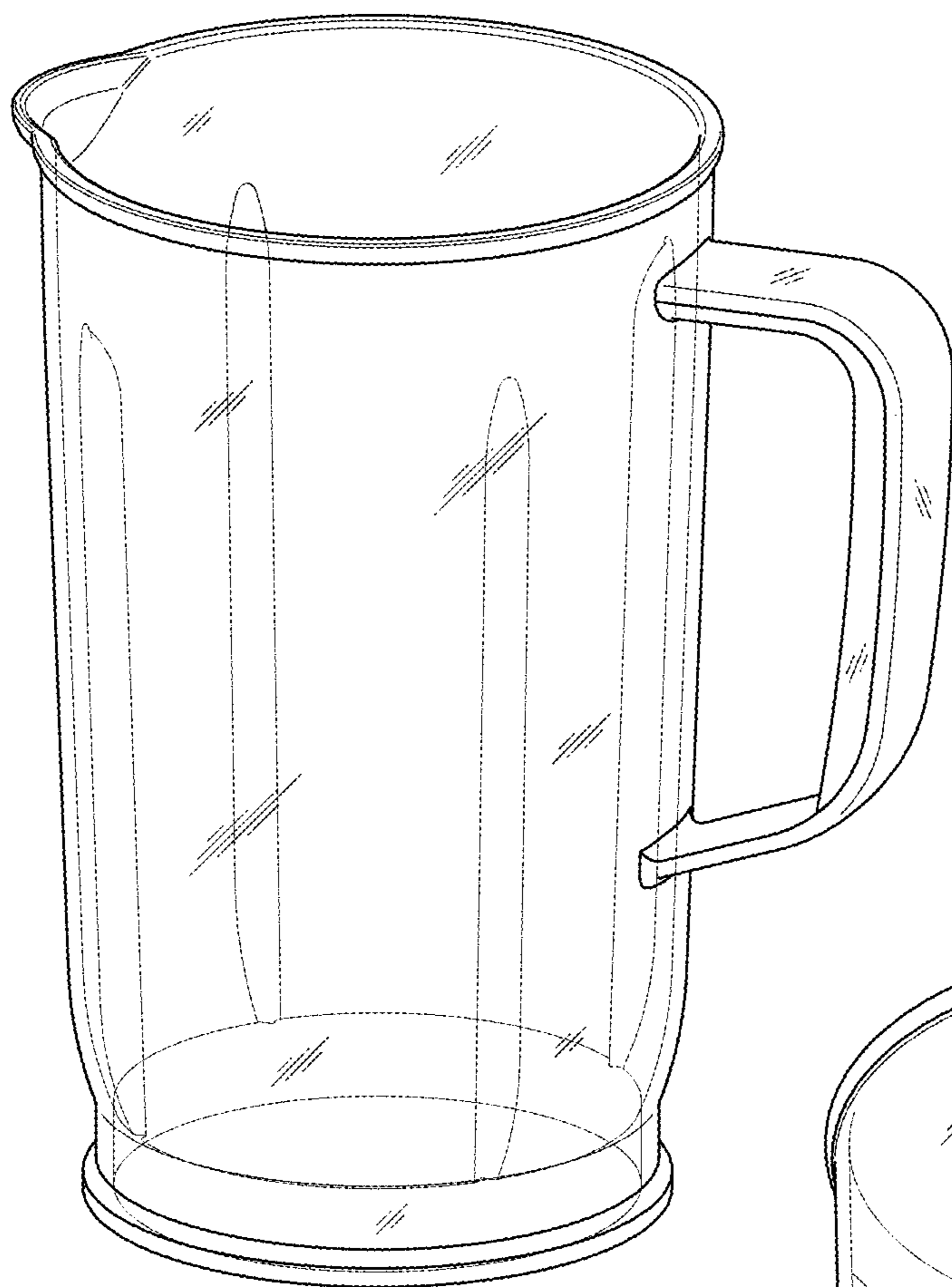


FIG. 10

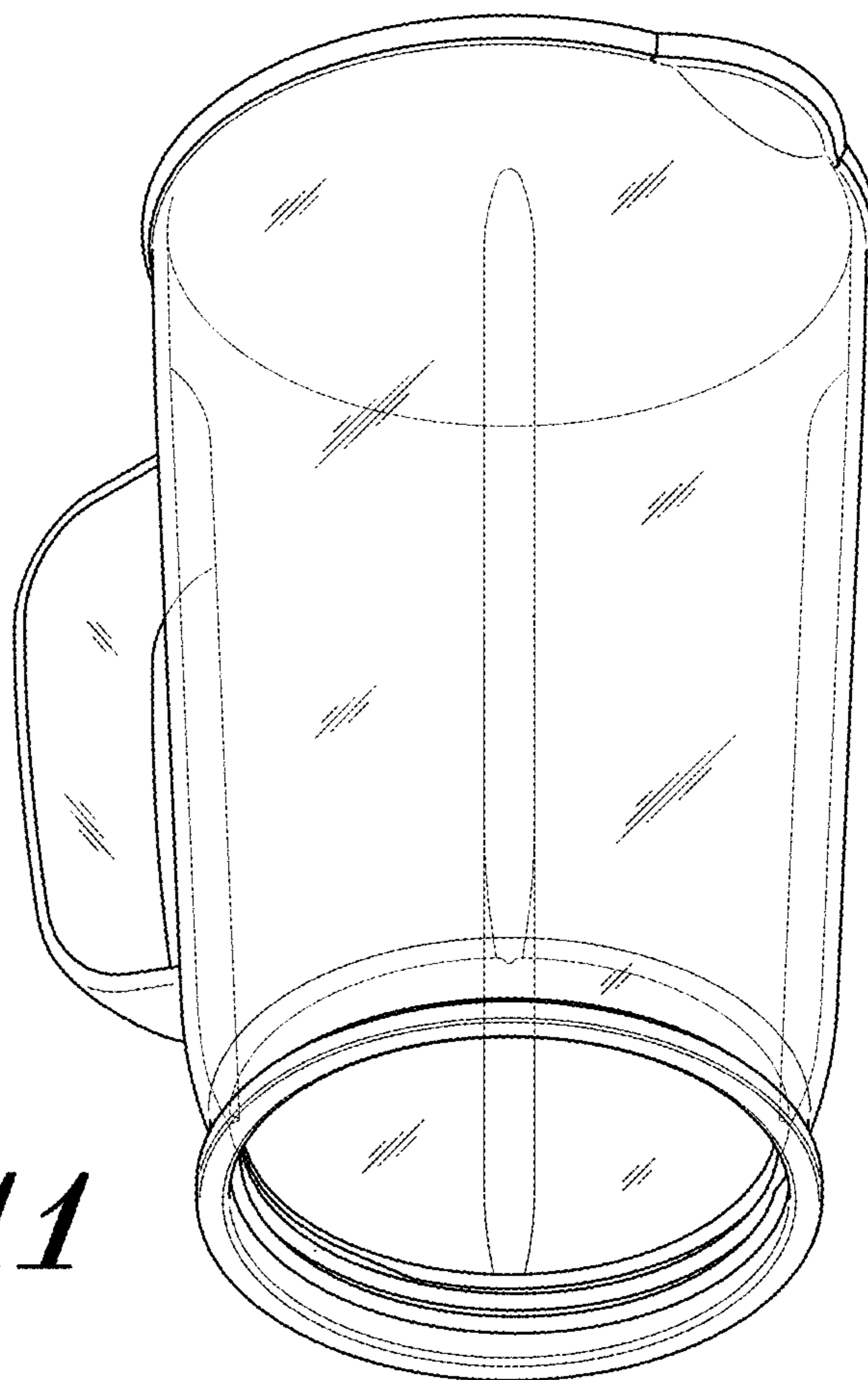


FIG. 11

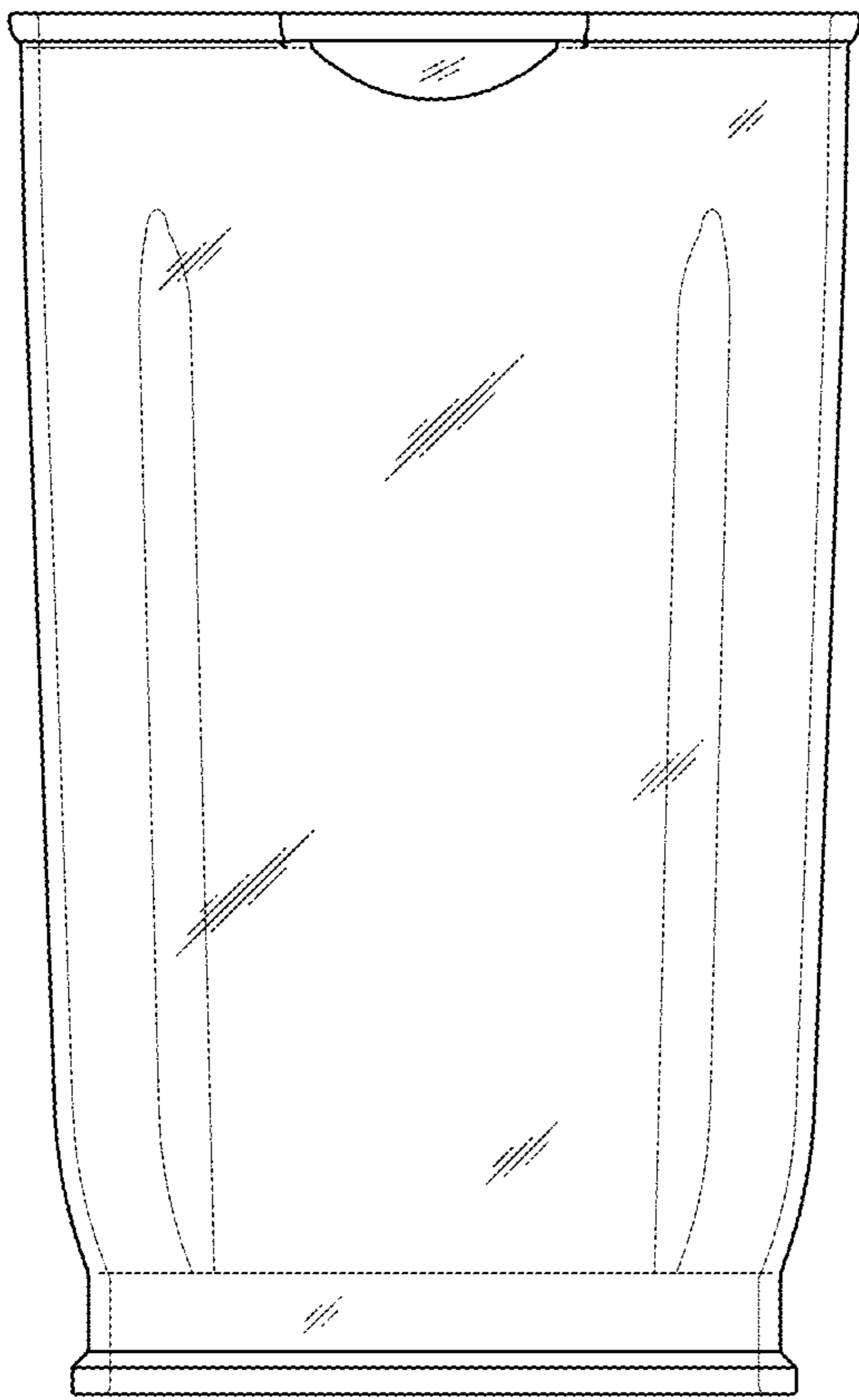


FIG. 12

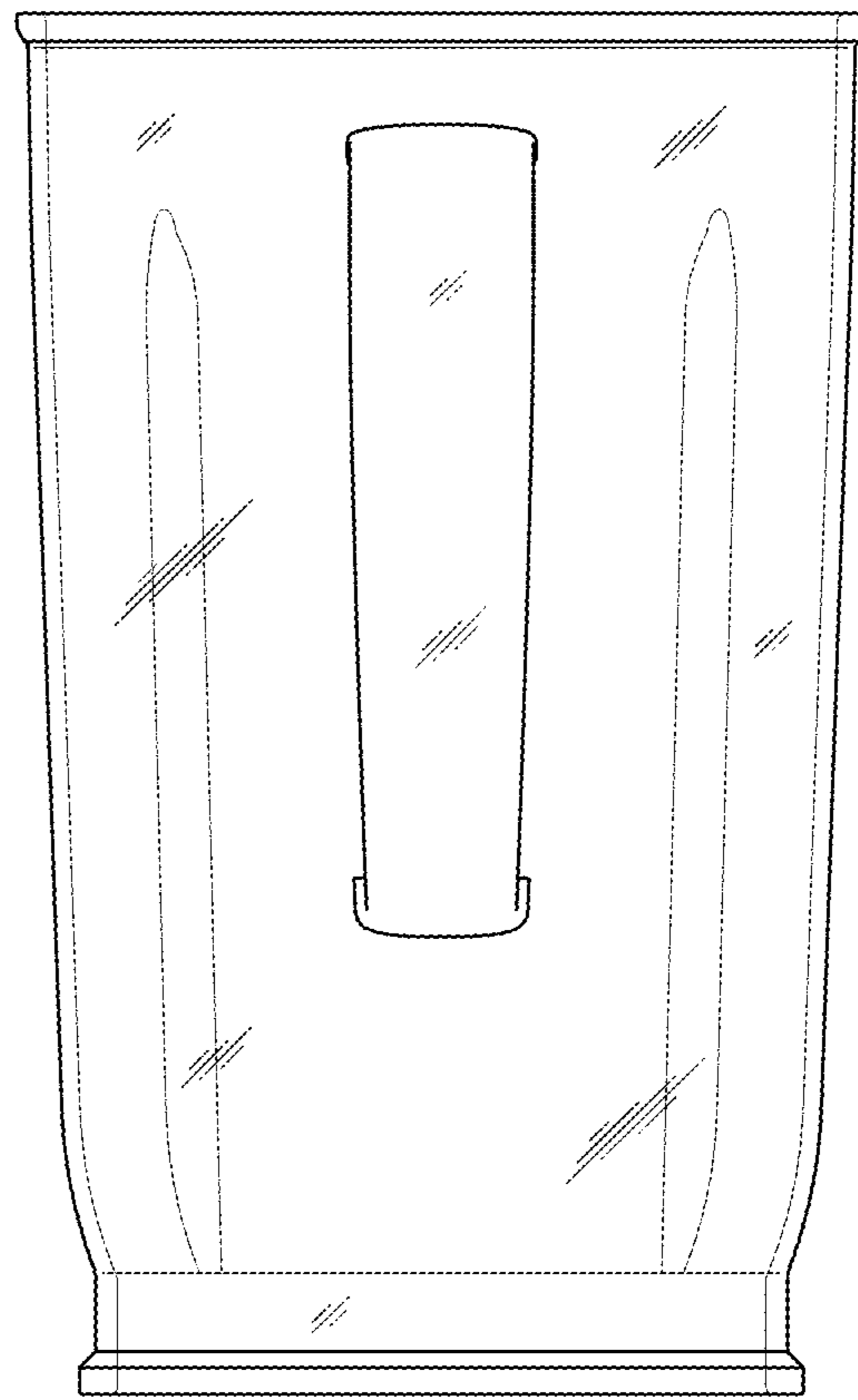


FIG. 13

FIG. 14

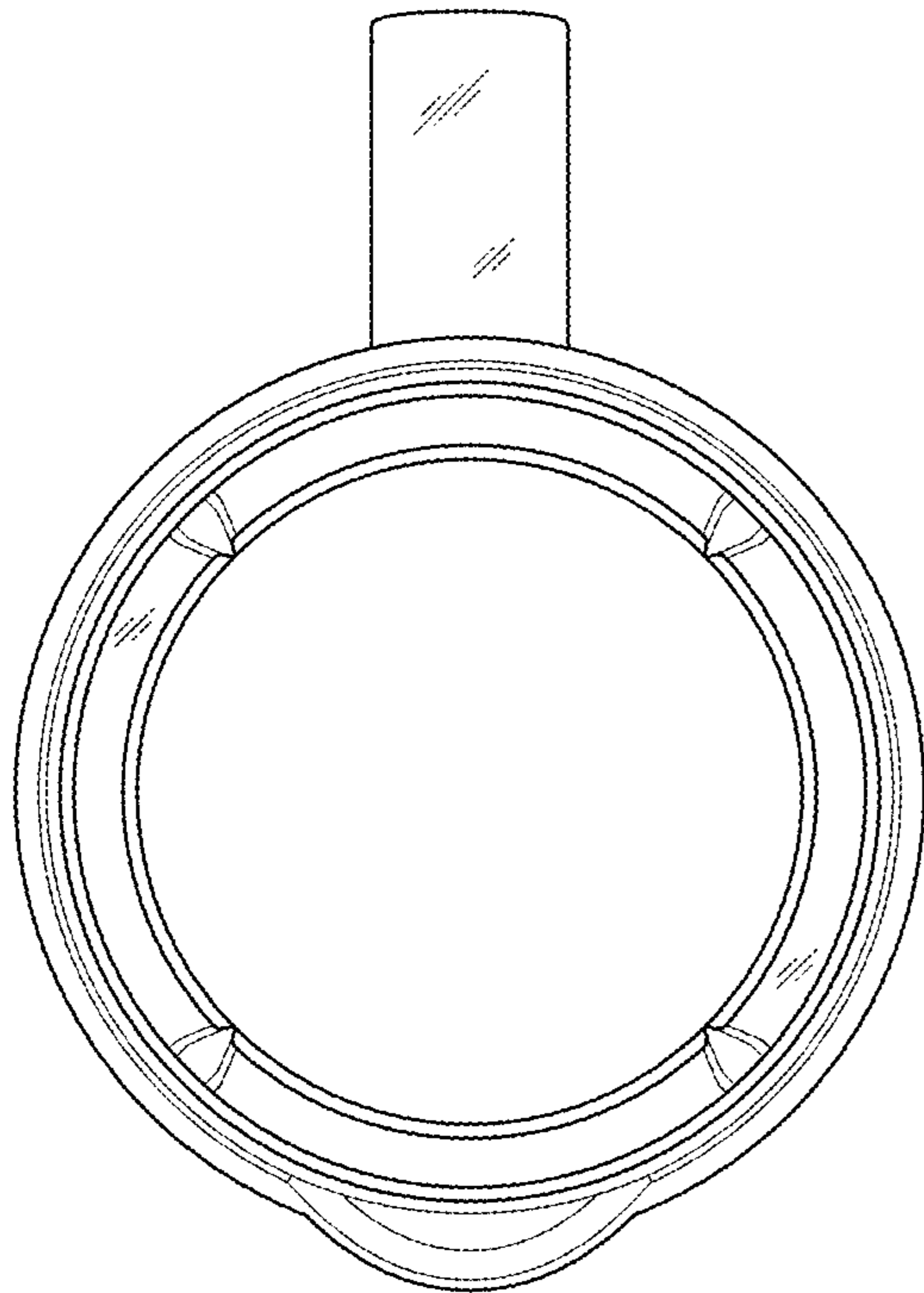
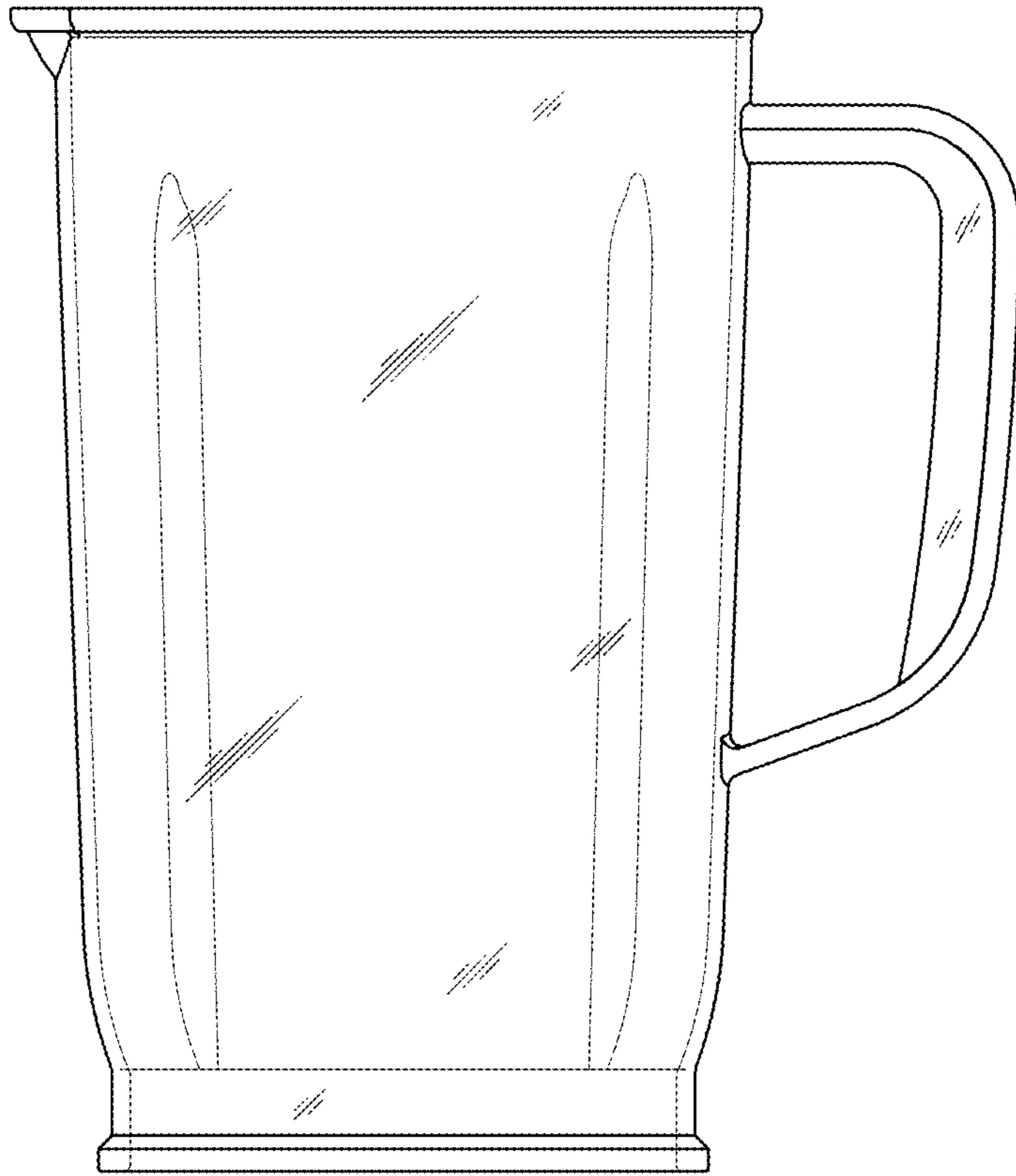


FIG. 15

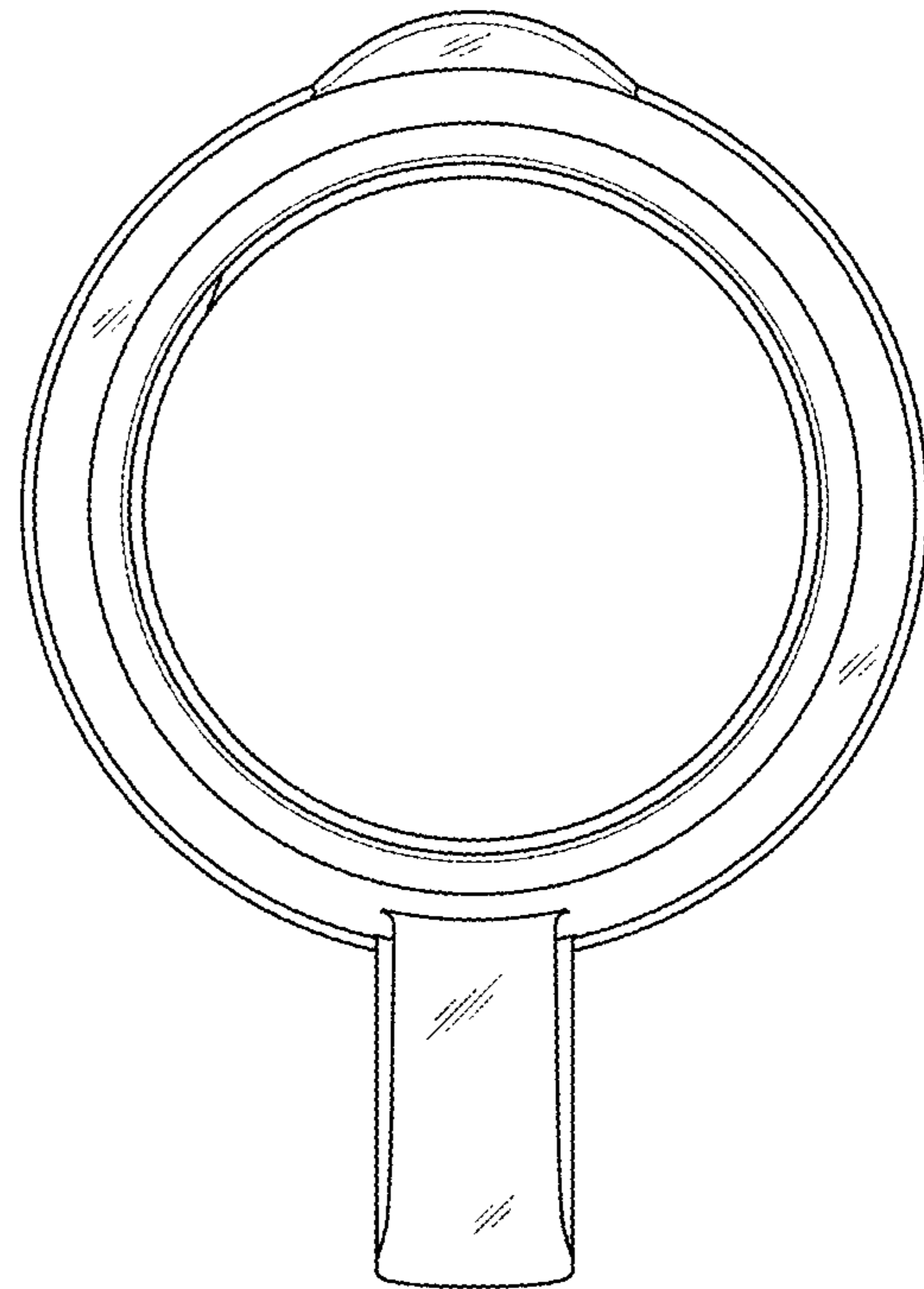


FIG. 16

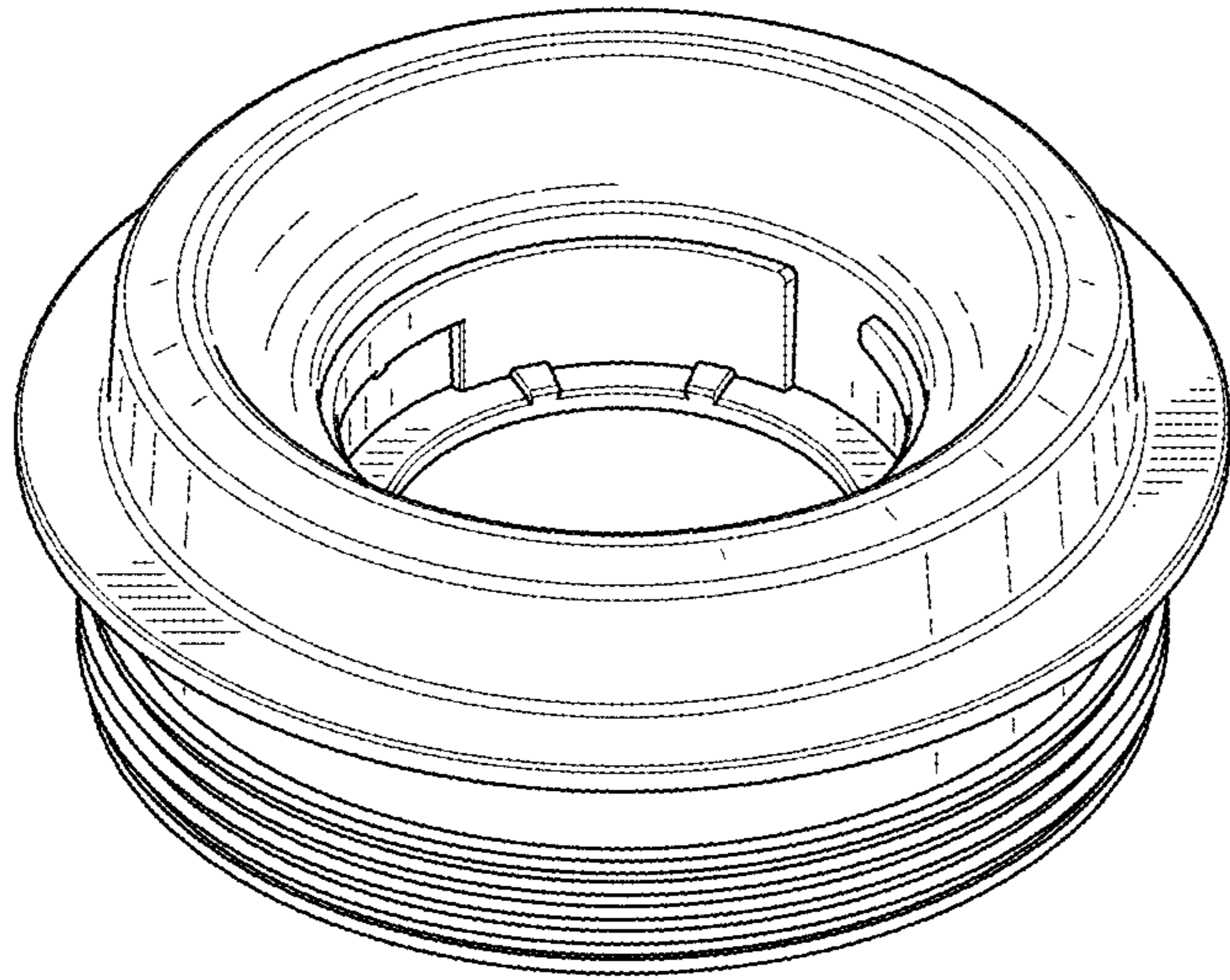


FIG. 17

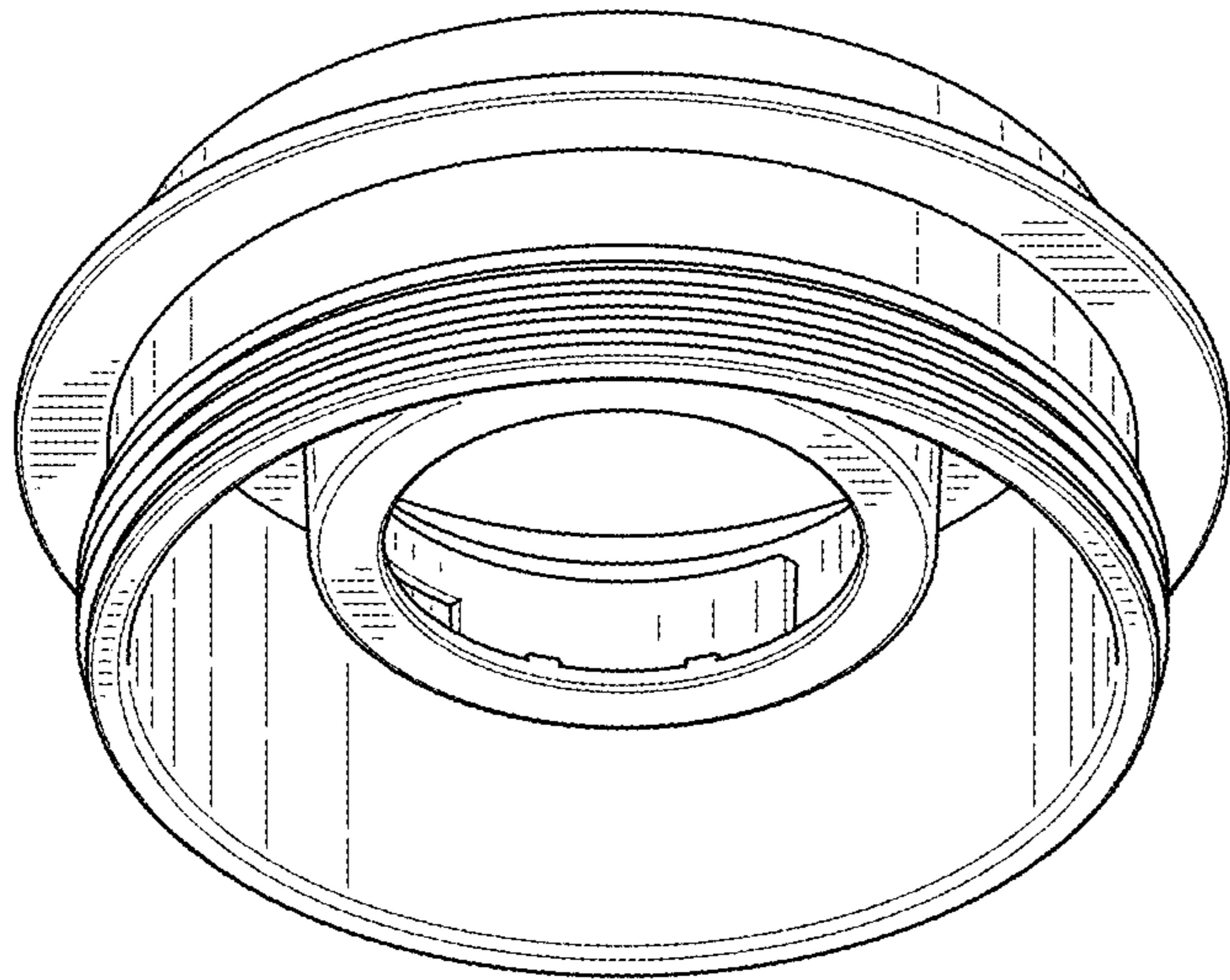


FIG. 18

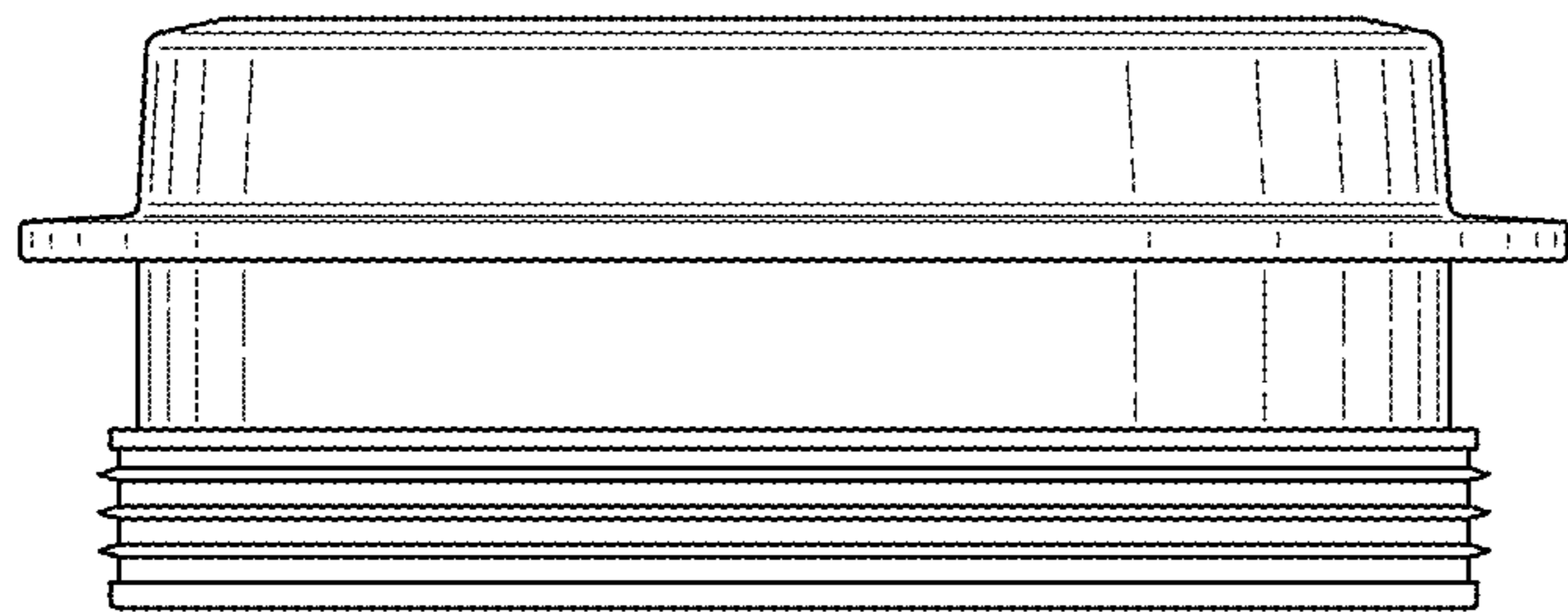


FIG. 19

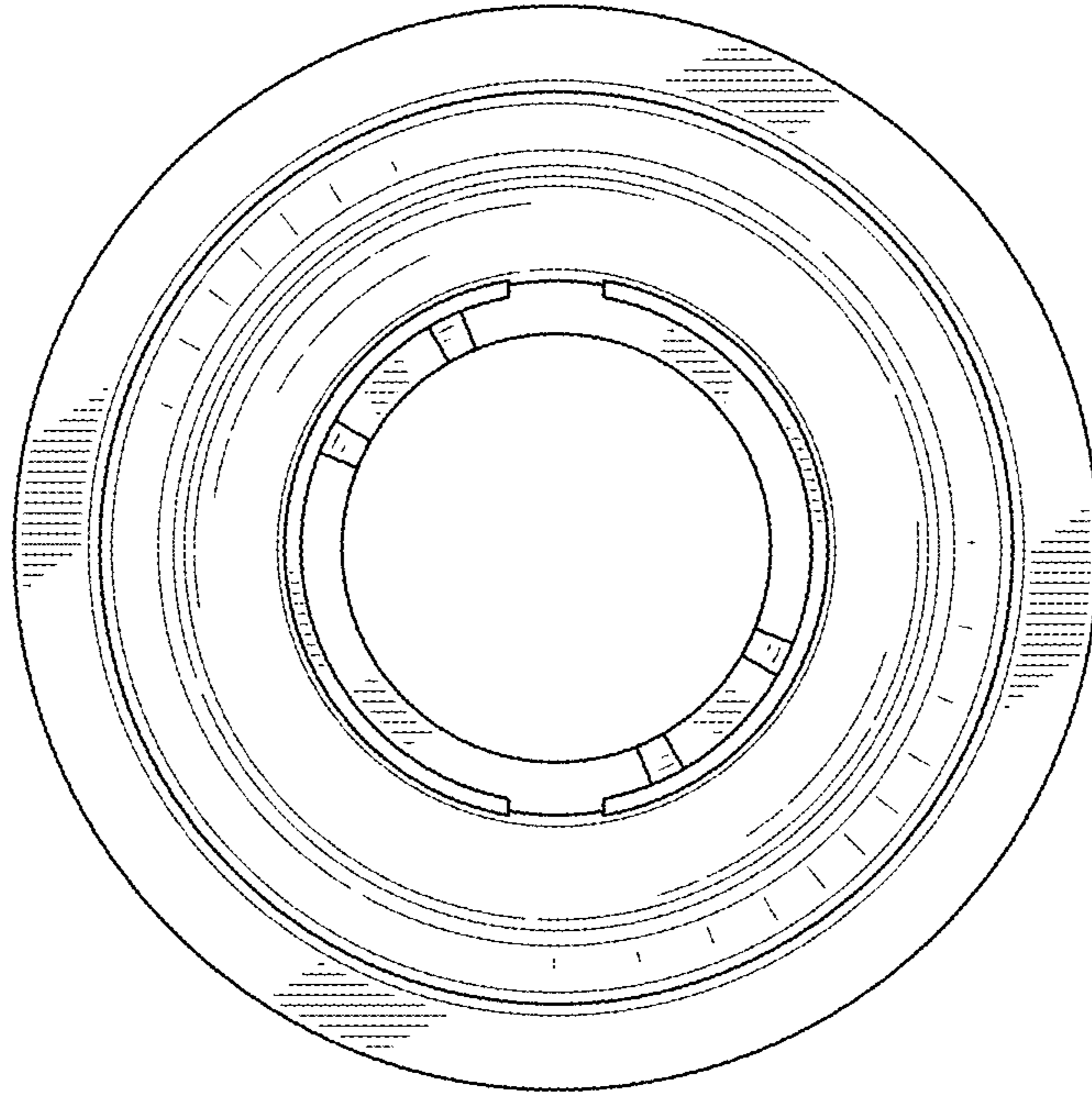


FIG. 20

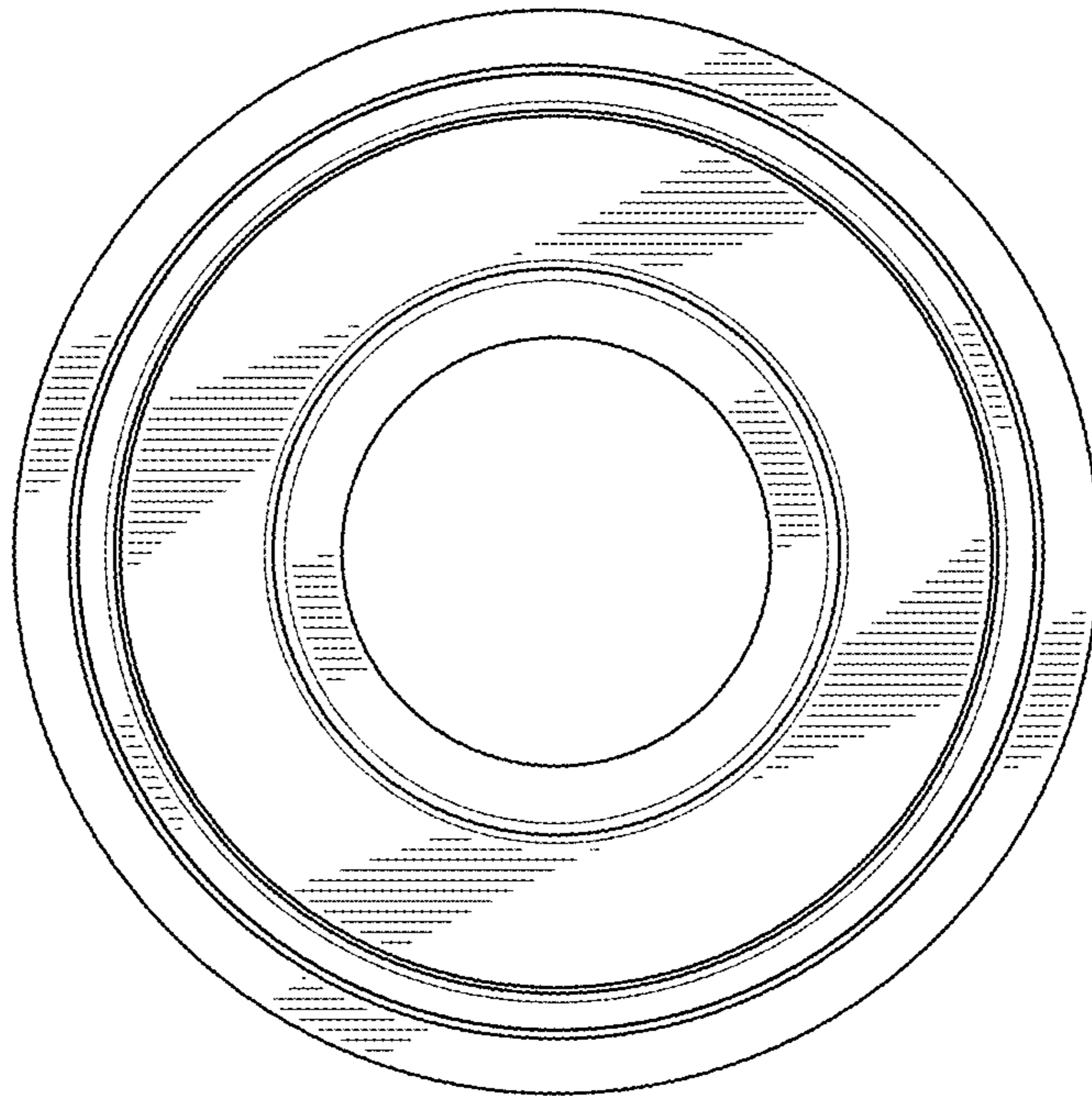


FIG. 21

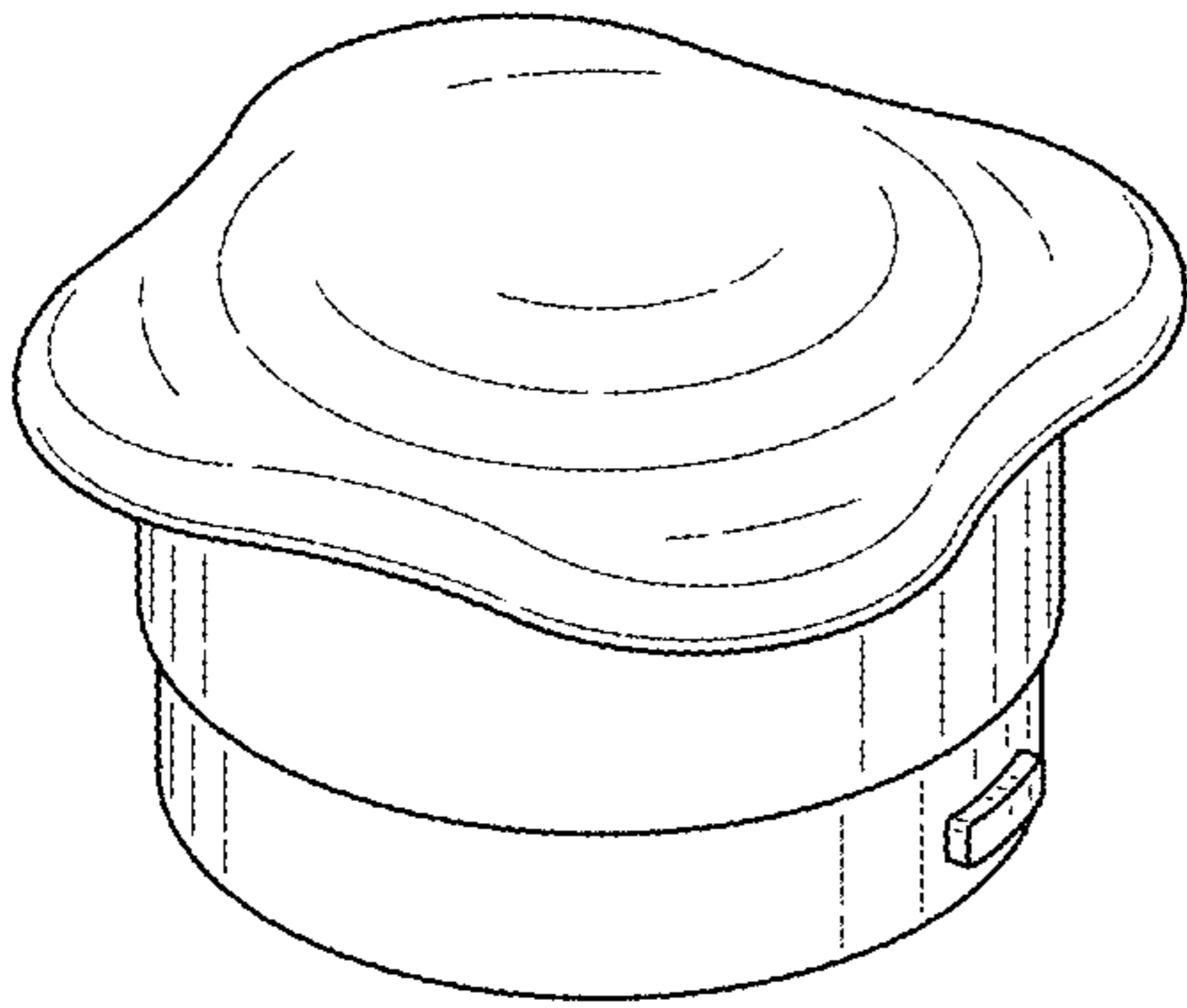


FIG. 22

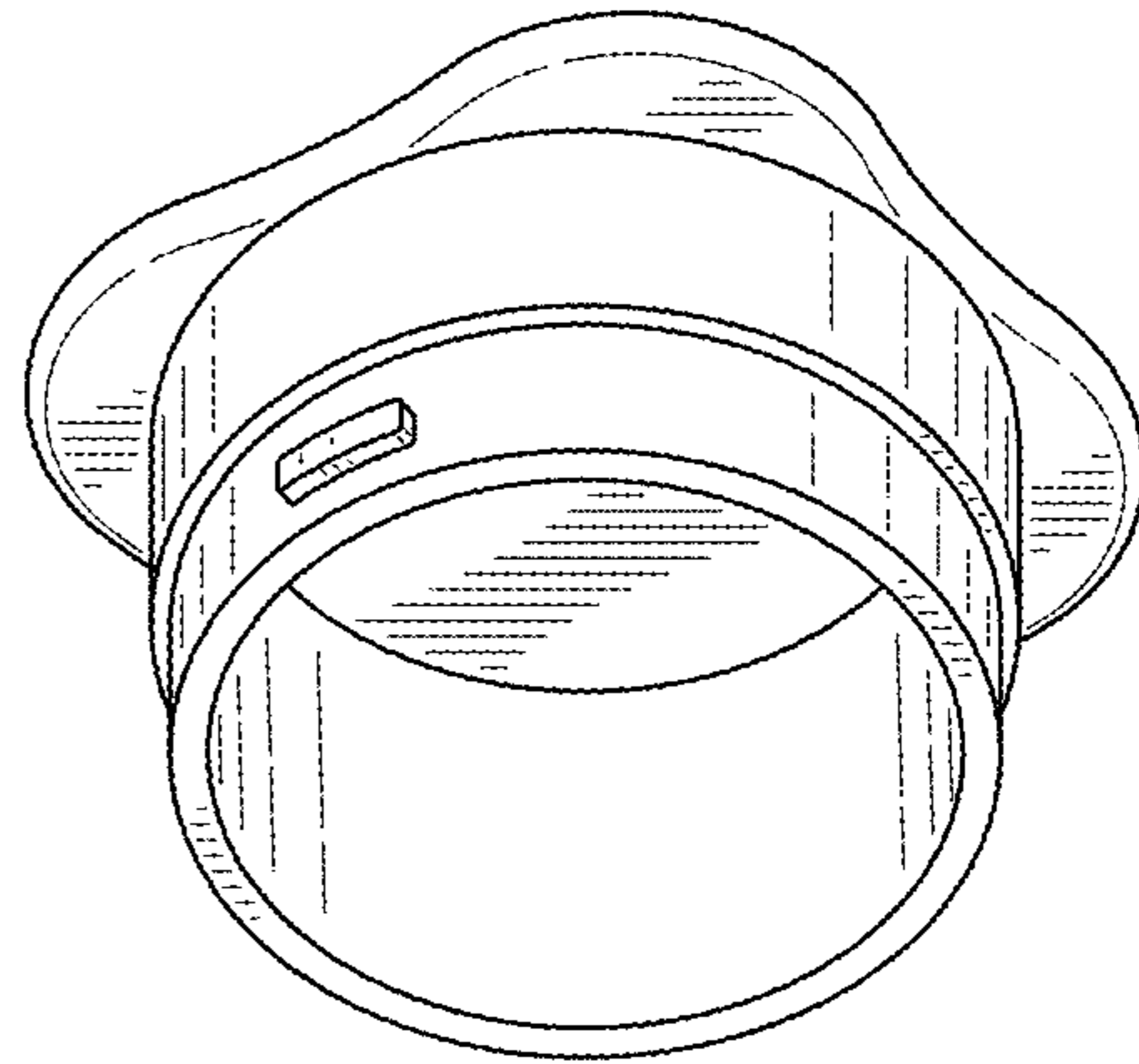


FIG. 23

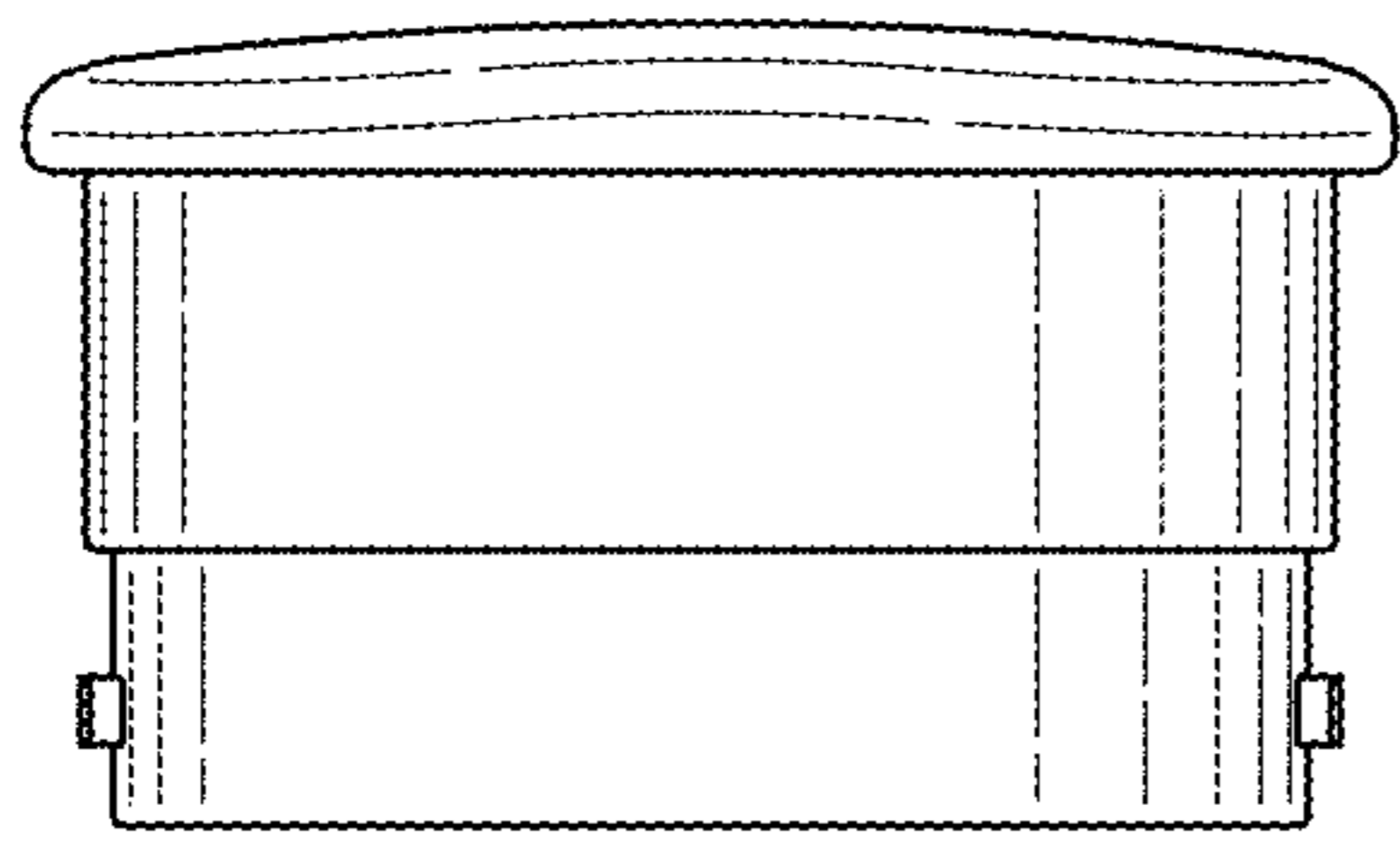


FIG. 24

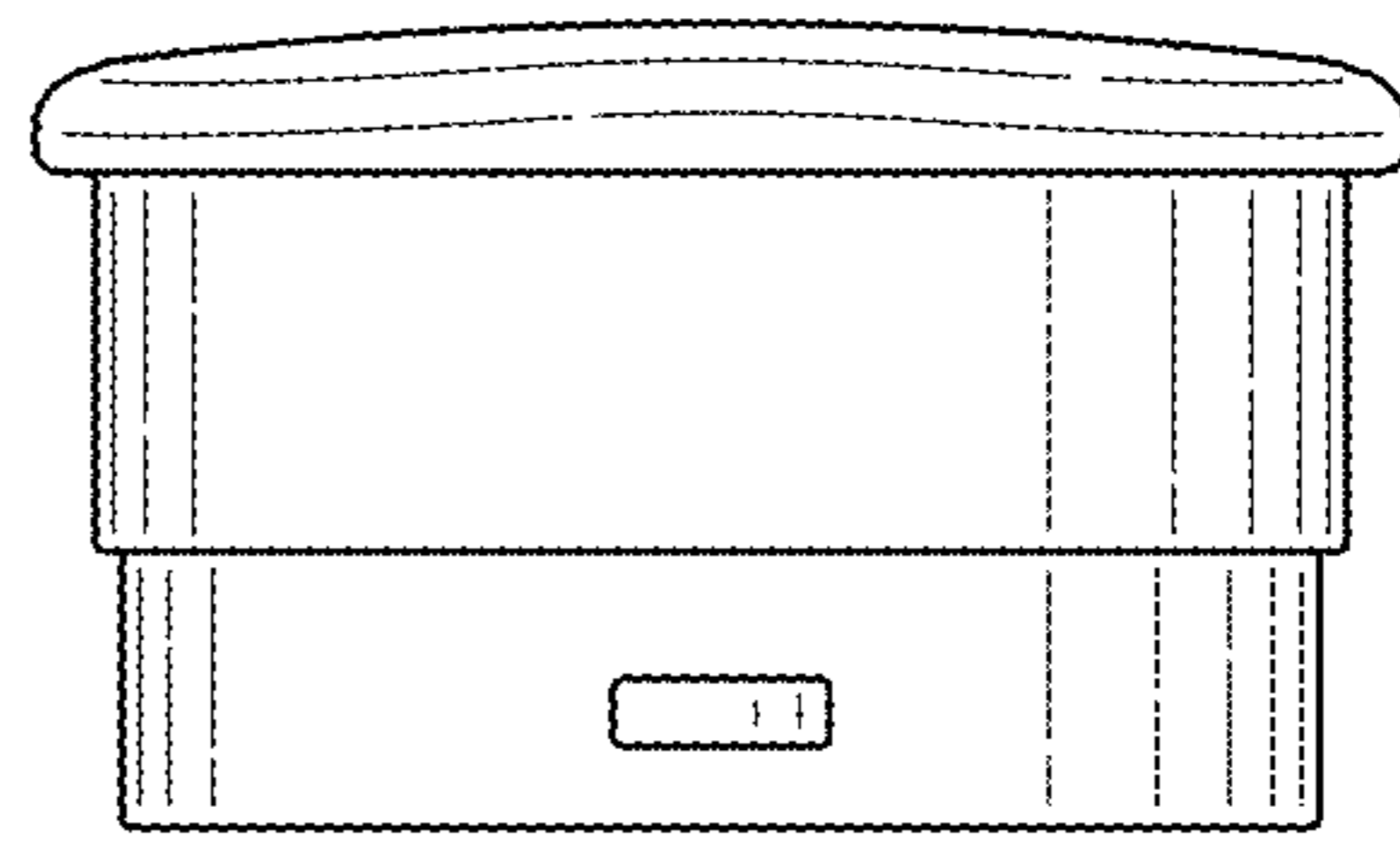


FIG. 25

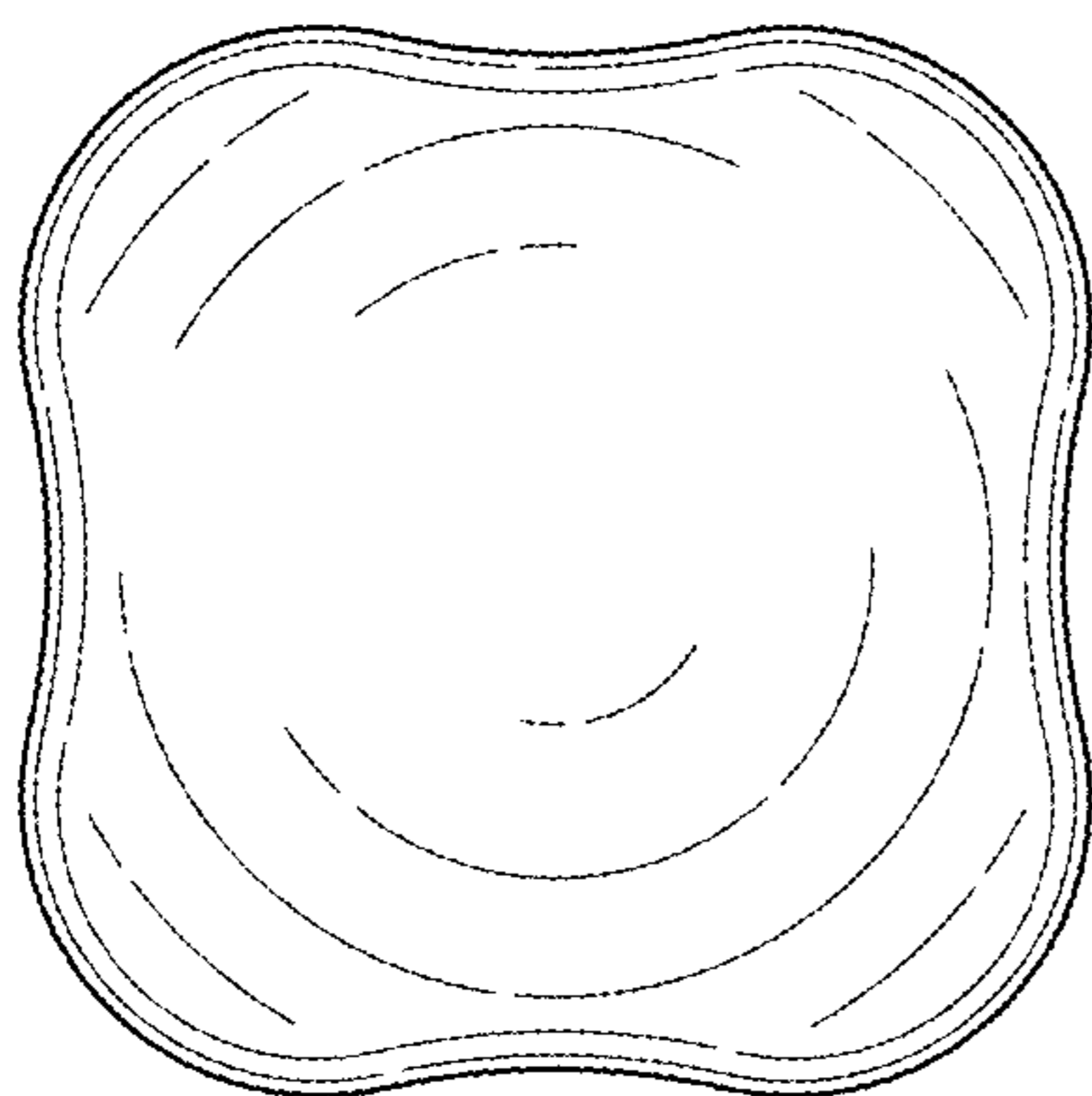


FIG. 26

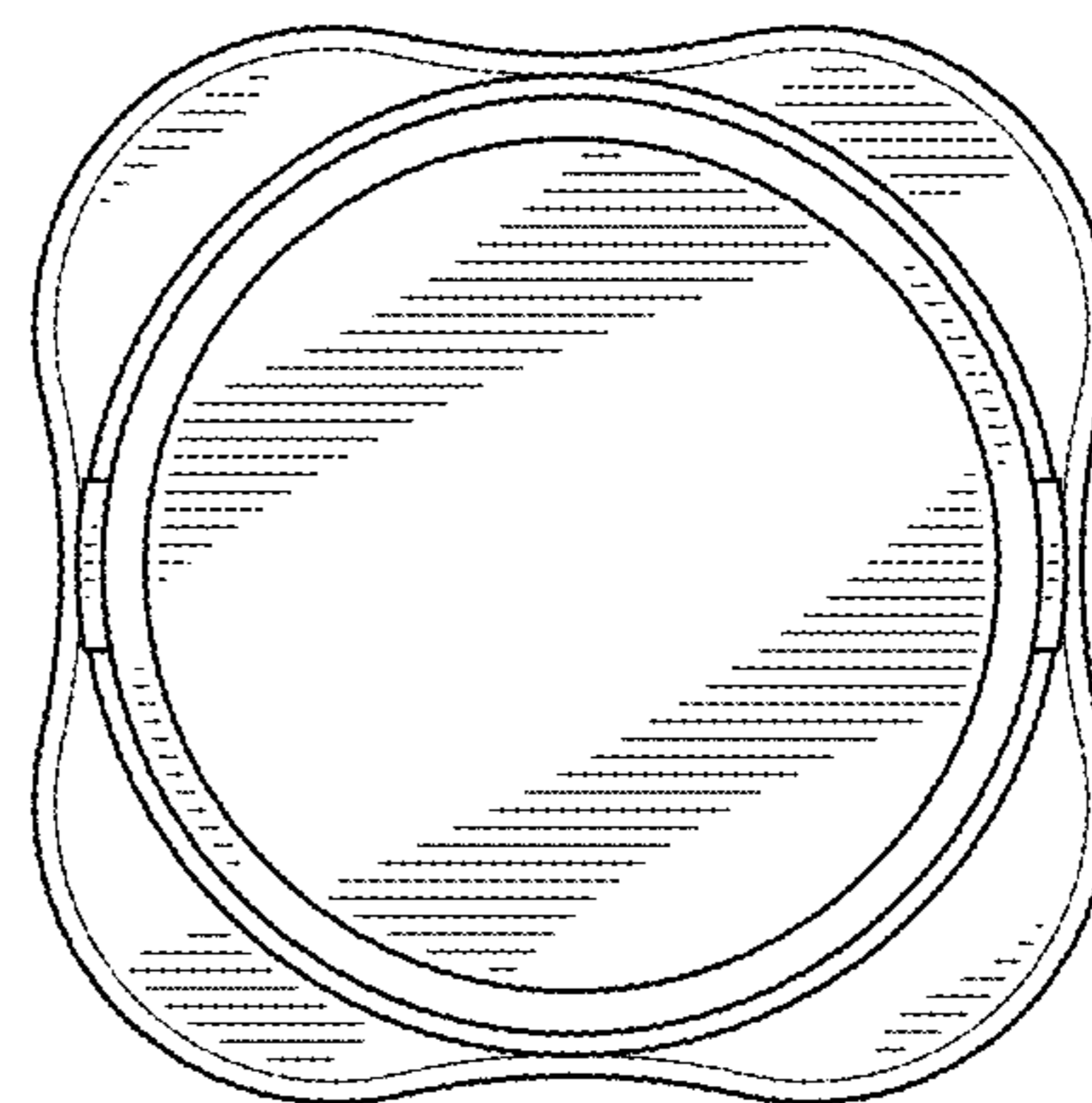


FIG. 27

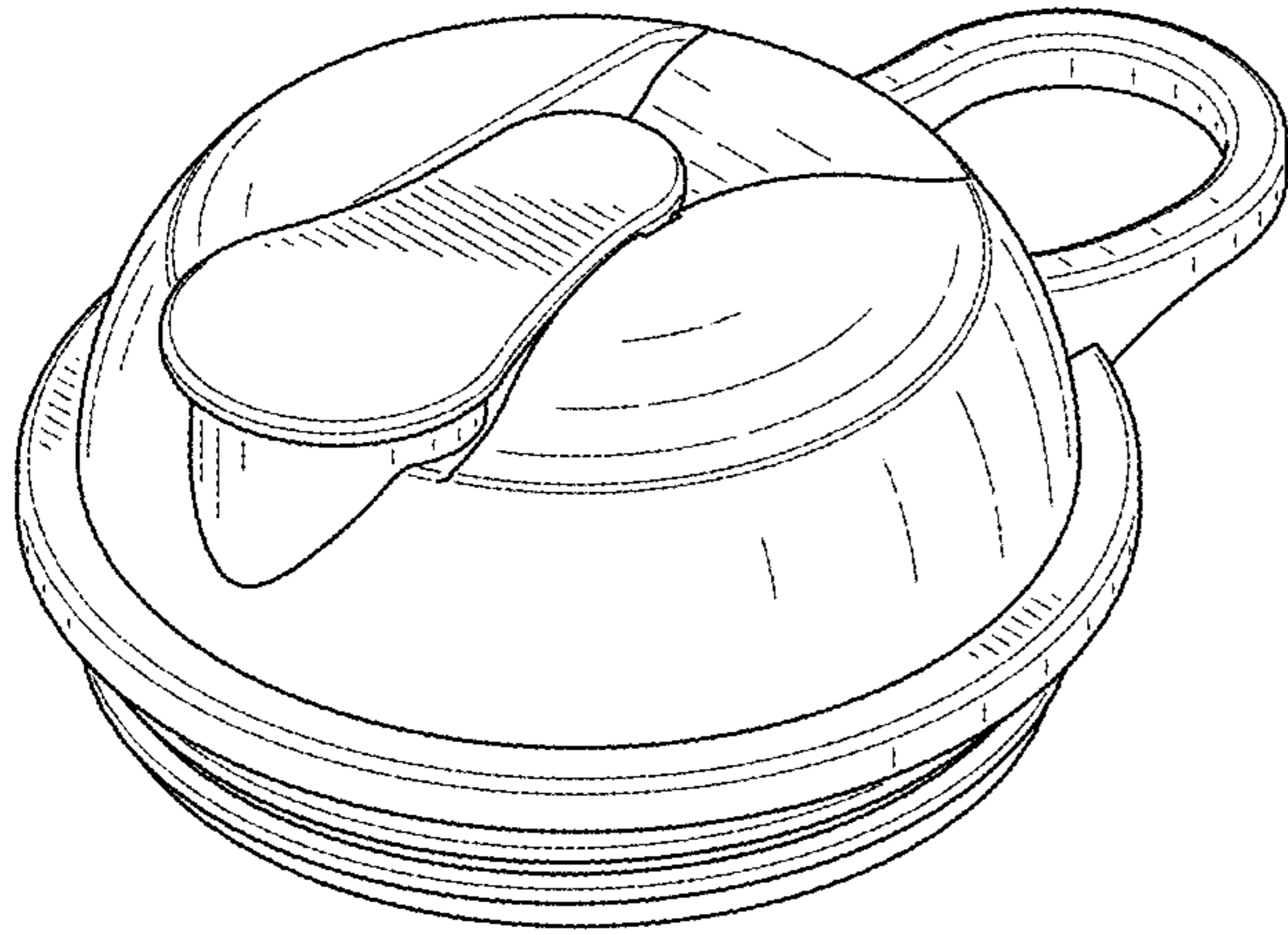


FIG. 28

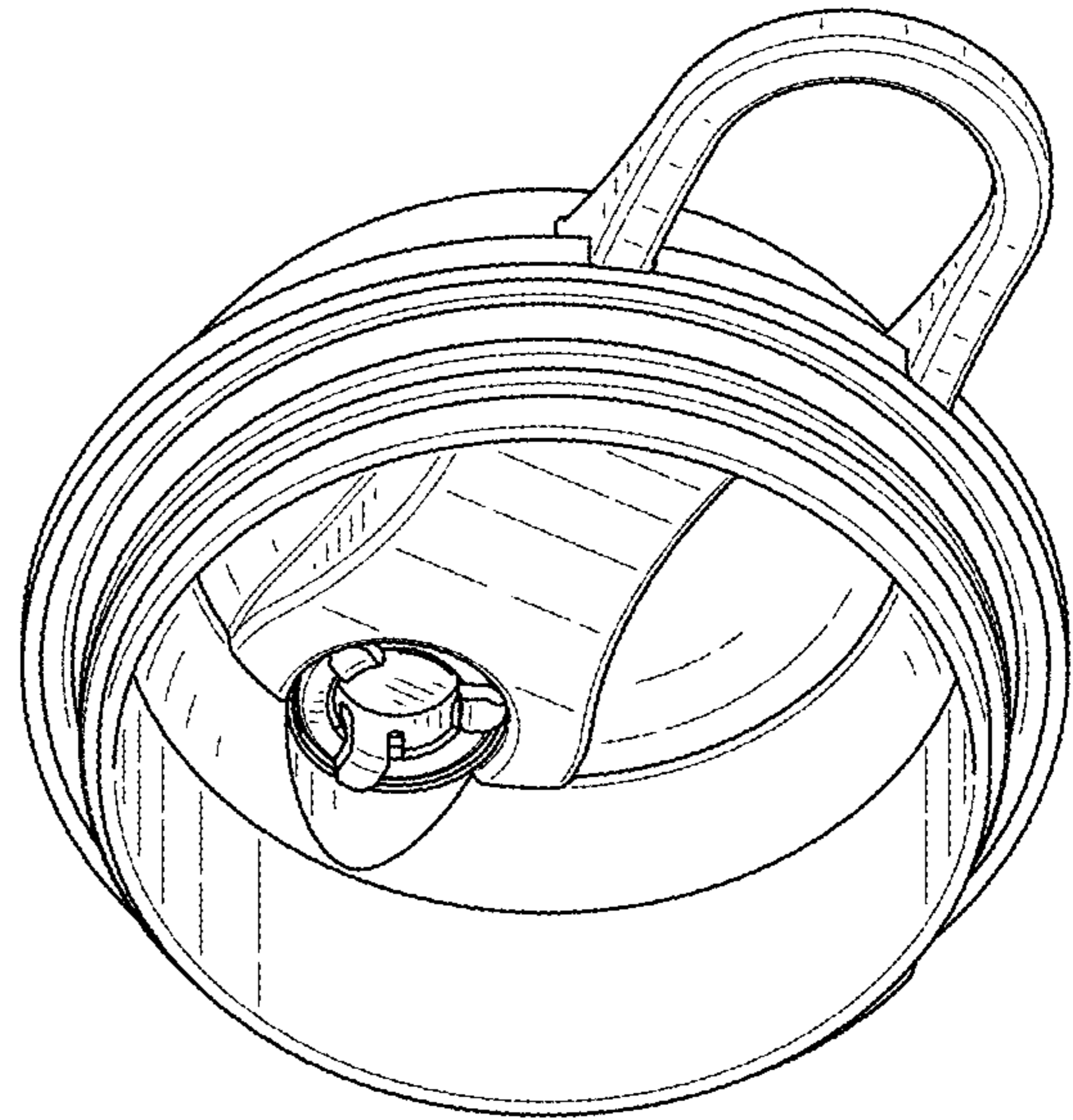


FIG. 29

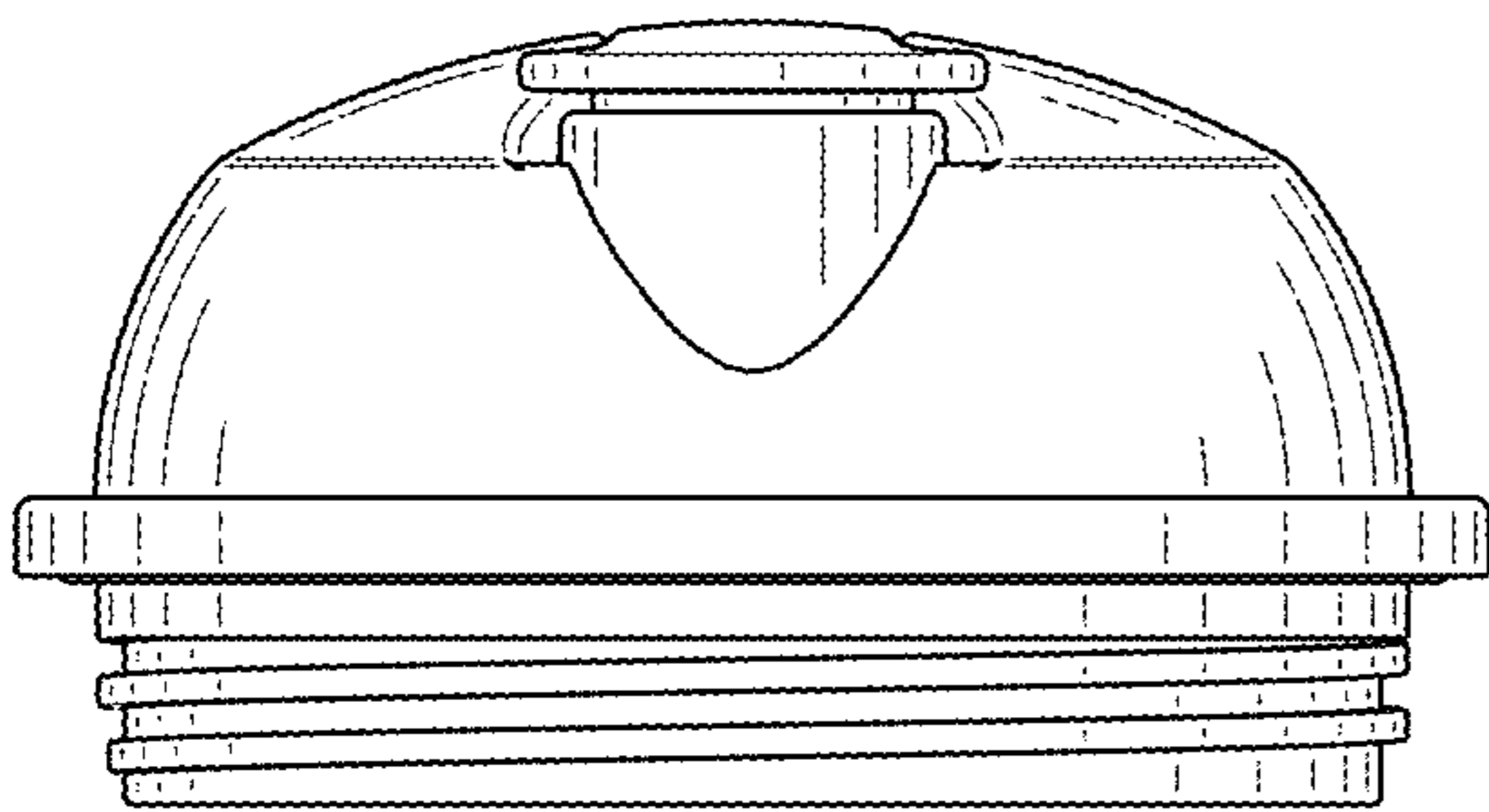


FIG. 30

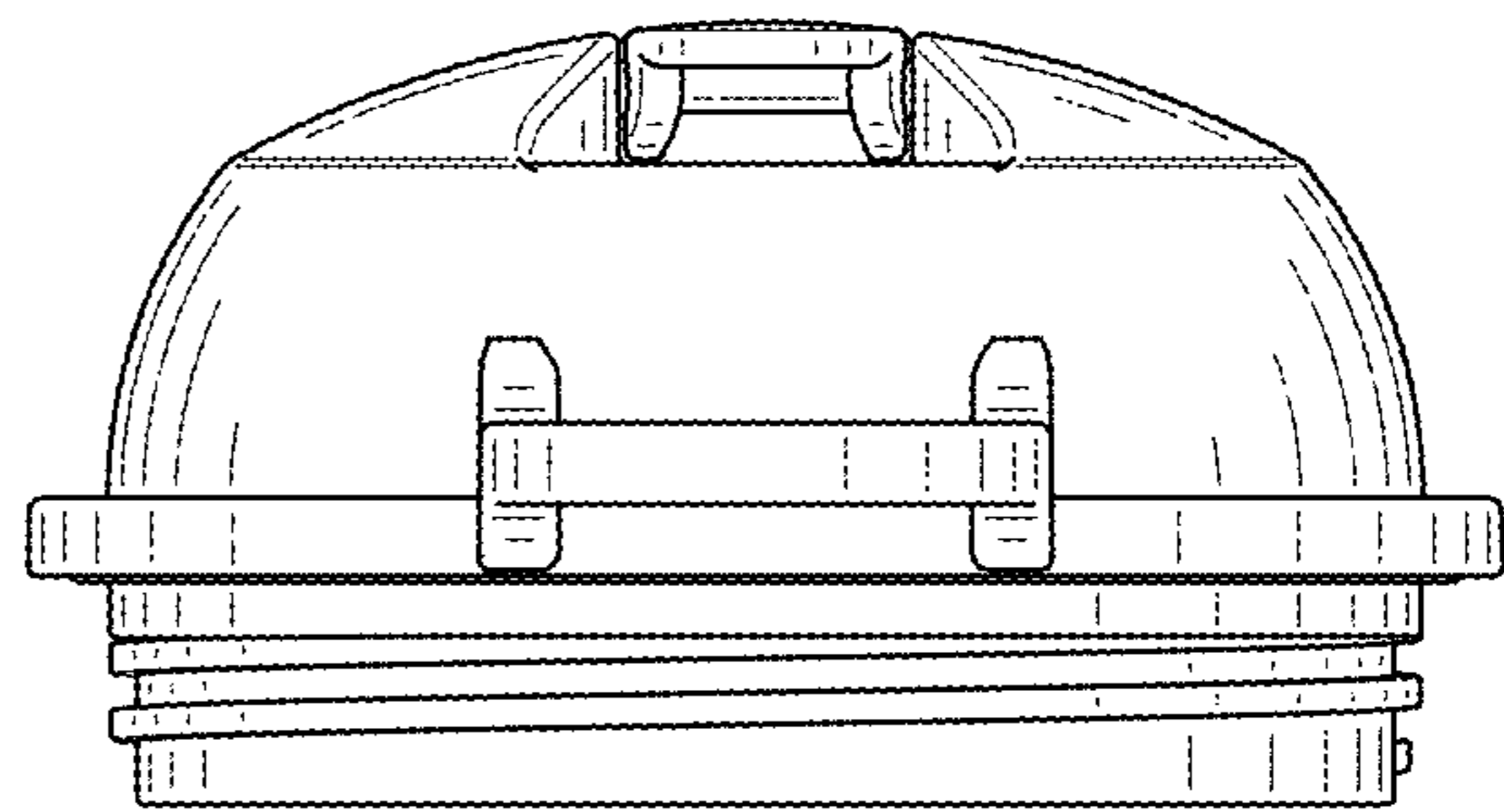


FIG. 31

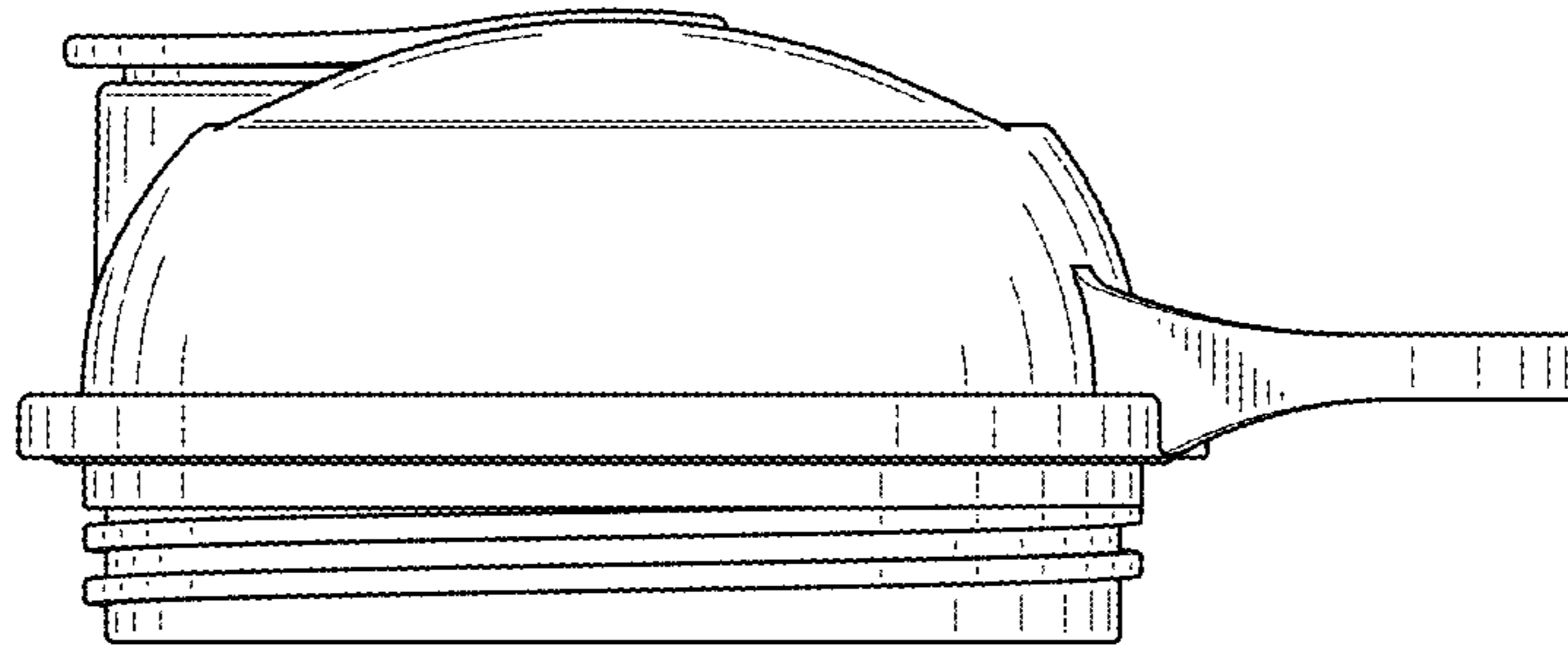


FIG. 32

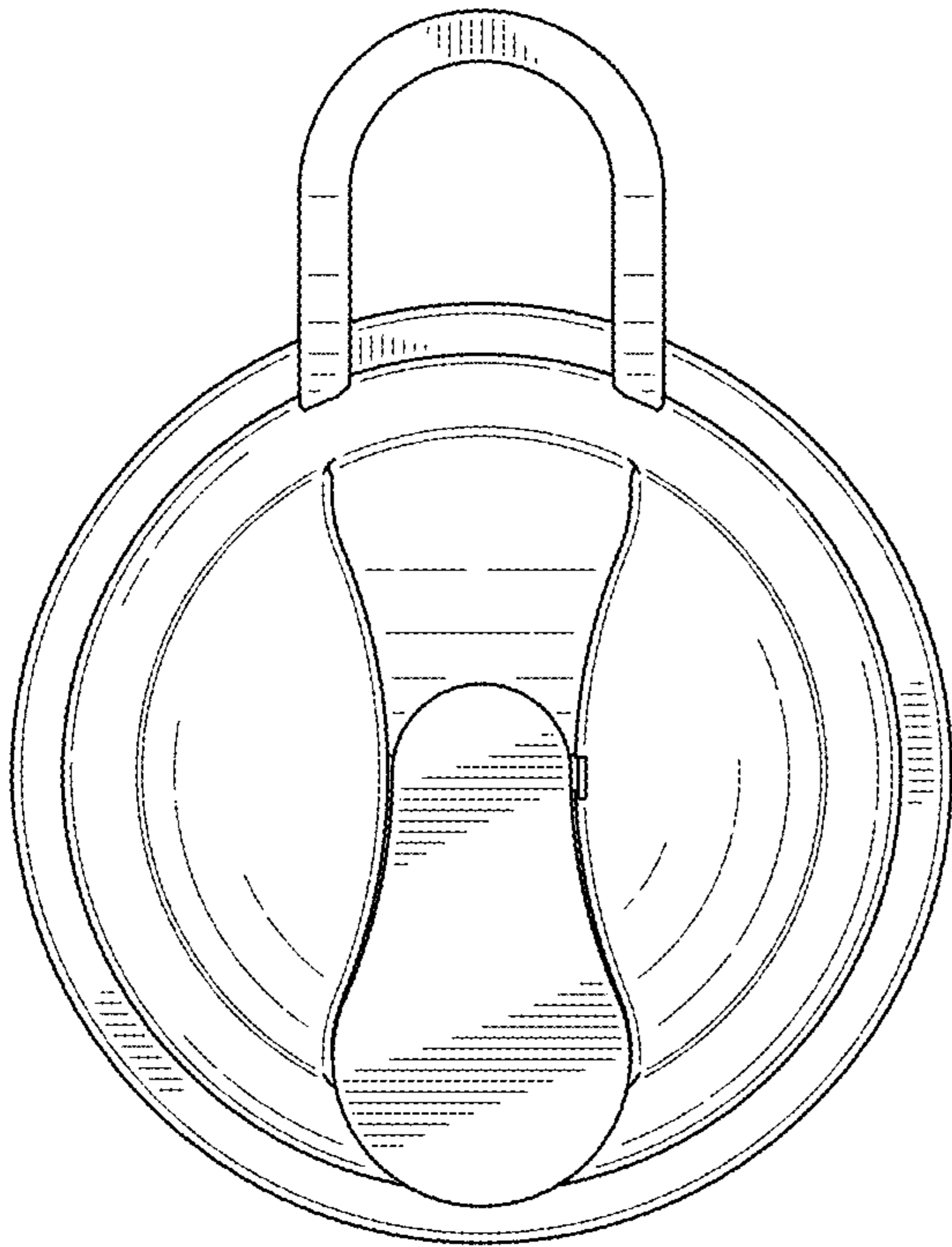


FIG. 33

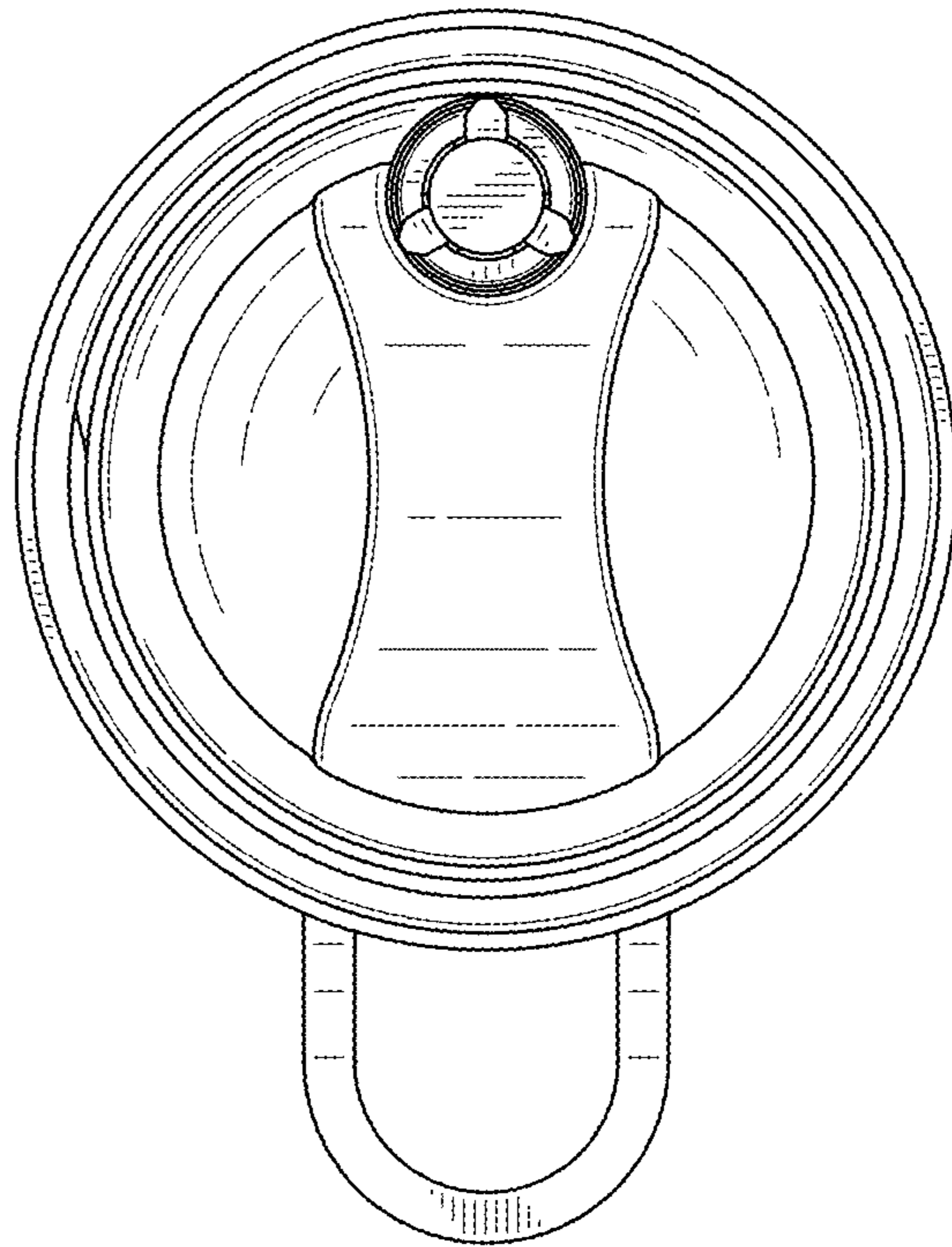


FIG. 34