



US00D888492S

(12) **United States Design Patent**
Liao

(10) **Patent No.:** **US D888,492 S**
(45) **Date of Patent:** **** Jun. 30, 2020**

- (54) **COFFEE ROASTER**
- (71) Applicant: **SPIRIT ELECTRIC HOUSHOLD CO., LTD., Hong Kong (CN)**
- (72) Inventor: **Yu Hua Liao, Hong Kong (CN)**
- (73) Assignee: **SPIRIT ELECTRIC HOUSEHOLD CO., LTD., Hong Kong (CN)**
- (**) Term: **15 Years**
- (21) Appl. No.: **29/676,063**
- (22) Filed: **Jan. 8, 2019**
- (51) **LOC (12) Cl.** **31-00**
- (52) **U.S. Cl.**
USPC **D7/373; D7/372**
- (58) **Field of Classification Search**
USPC D7/323, 372-373, 376-386, 412-413, D7/602, 629, 665-666, 669, 679, D7/693-694
CPC A21C 1/02; A21C 1/04; A23N 1/00; A23N 1/02; A23N 12/10; A47J 42/26; A47J 43/04; A47J 43/25; A47J 43/27; A47J 43/042; A47J 43/044; A47J 43/046; A47J 43/075; A47J 43/0722; A47J 43/0727; B01F 3/00; B01F 3/0807; B01F 3/0853; B01F 13/0059; B01F 13/0064; B02C 1/08; B02C 2/04; B02C 4/42; B02C 4/142; B02C 4/143; B02C 4/423; B02C 13/1835; B28C 5/10; B28C 5/12; B28C 5/14; B28C 5/16
See application file for complete search history.

5,749,288 A *	5/1998	Skaling	A23N 12/10
			34/233
D578,340 S *	10/2008	Picozza	D7/378
D621,206 S *	8/2010	Matta	D7/372
D629,642 S *	12/2010	Miller	D7/372
D629,643 S *	12/2010	Bower	D7/376
D634,155 S *	3/2011	Duncan	D7/372
D767,327 S *	9/2016	McConnell	D7/376
D824,210 S *	7/2018	Kim	D7/378
D825,983 S *	8/2018	Kraemer	D7/373
2009/0032627 A1 *	2/2009	Kraszna	A47J 42/26
			241/36

* cited by examiner

Primary Examiner — Ricky Pham

(74) *Attorney, Agent, or Firm* — Law Offices of Steven W. Weinrieb

(57) **CLAIM**

The ornamental design for a coffee roaster, as shown and described.

DESCRIPTION

FIG. 1 is a front, right side, top perspective view of the coffee roaster showing my new design;
 FIG. 2 is a rear, left side, bottom perspective view thereof;
 FIG. 3 is a front elevational view thereof;
 FIG. 4 is a rear elevational view thereof.
 FIG. 5 is a left side elevational view thereof;
 FIG. 6 is a right side elevational view thereof;
 FIG. 7 is a top plan view thereof; and,
 FIG. 8 is a bottom plan view thereof.

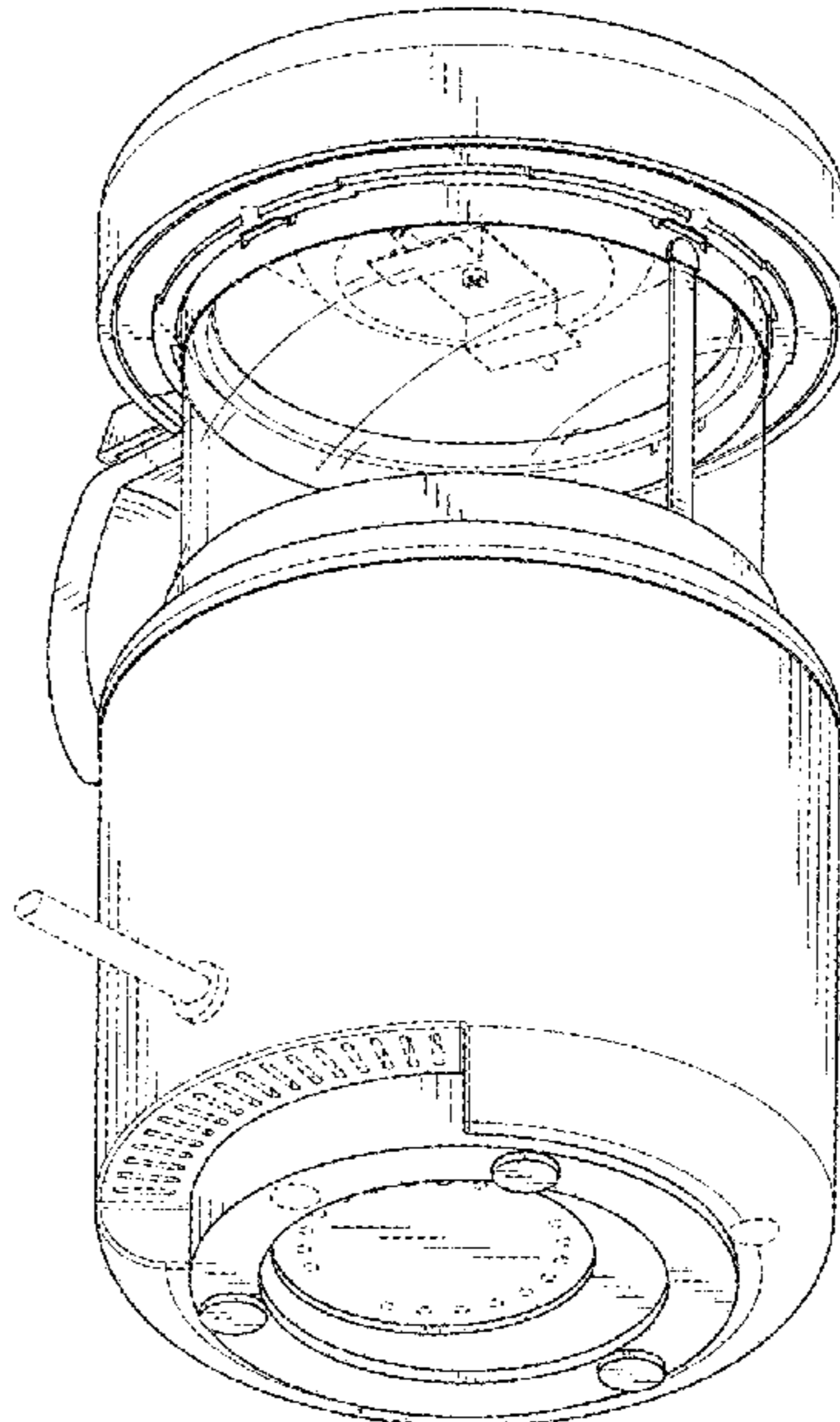
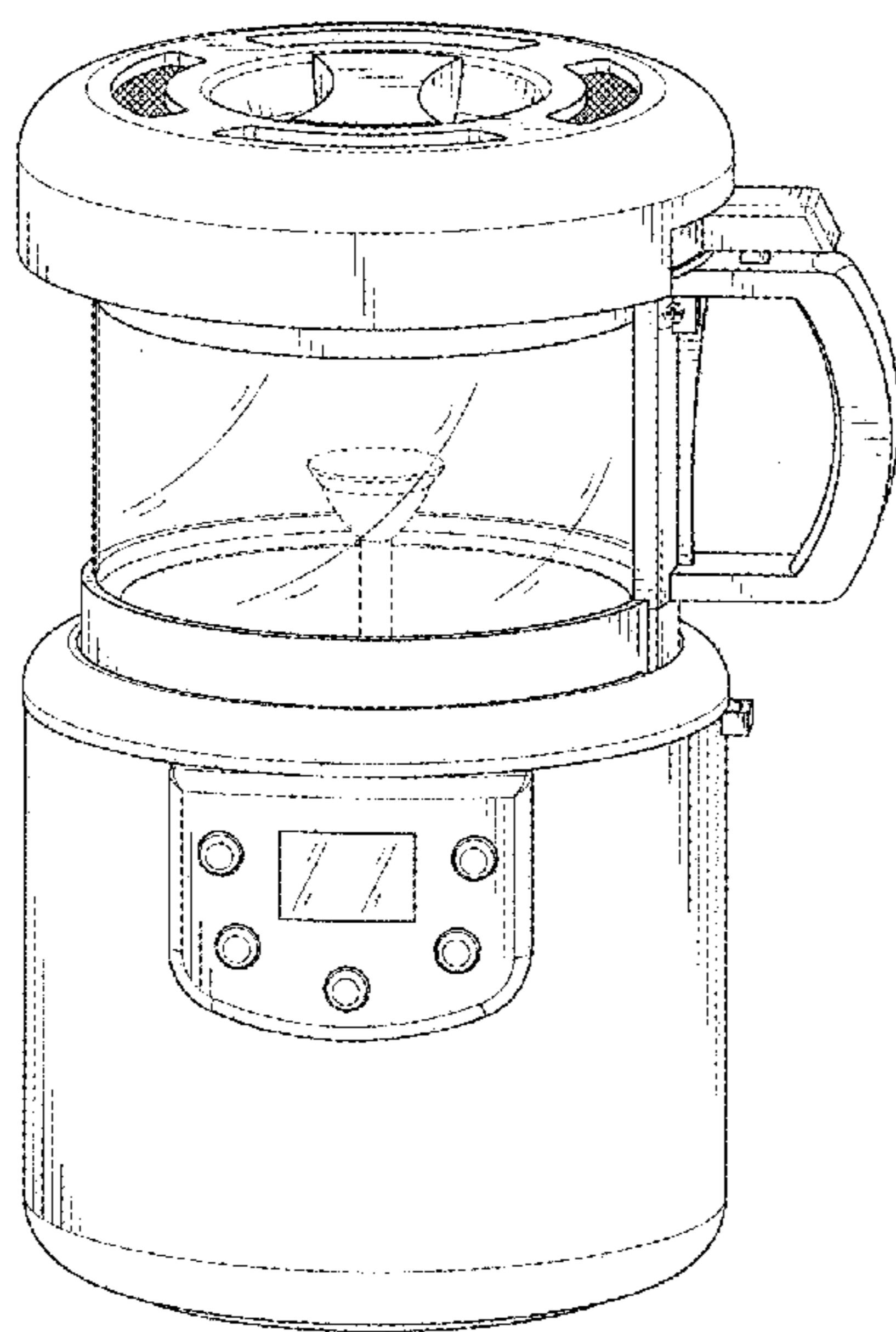
The broken lines immediately adjacent to the claimed portions are boundaries, all other broken lines are environmental structures; all the broken lines form no part of the claimed design.

(56) **References Cited**

U.S. PATENT DOCUMENTS

- D339,716 S * 9/1993 Barrault D7/381
- D346,526 S * 5/1994 Bannigan D7/323

1 Claim, 8 Drawing Sheets



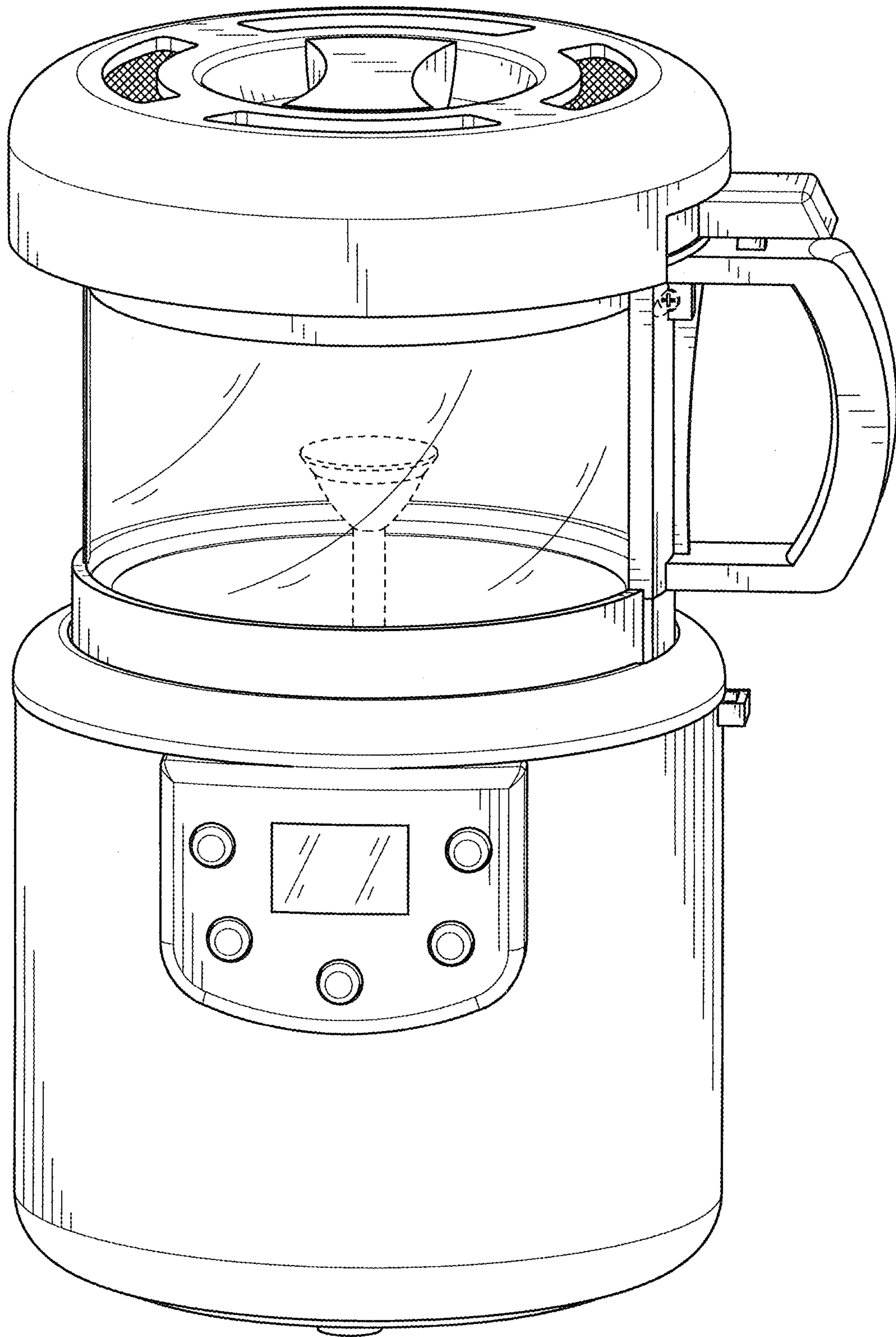


FIG. 1

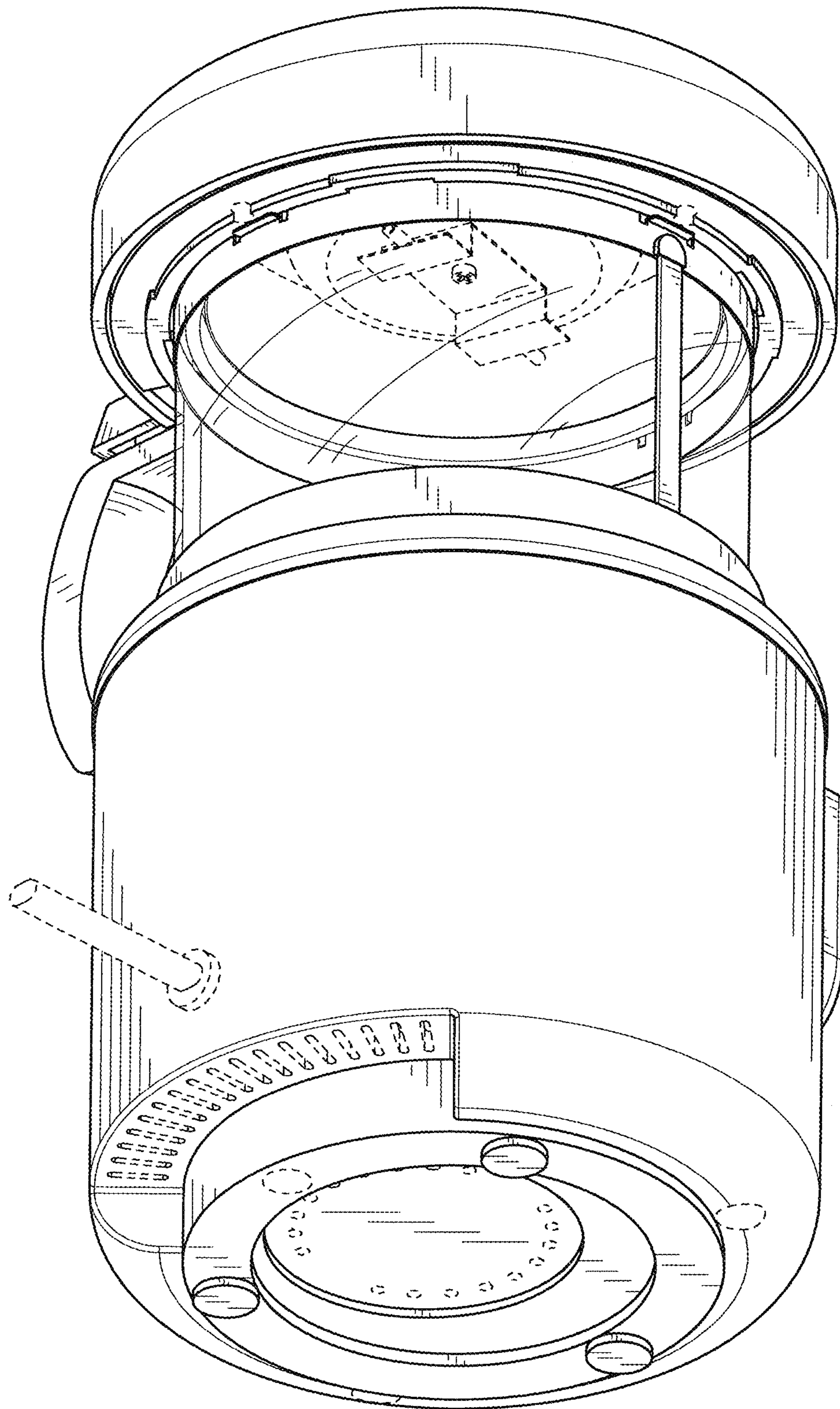


FIG. 2

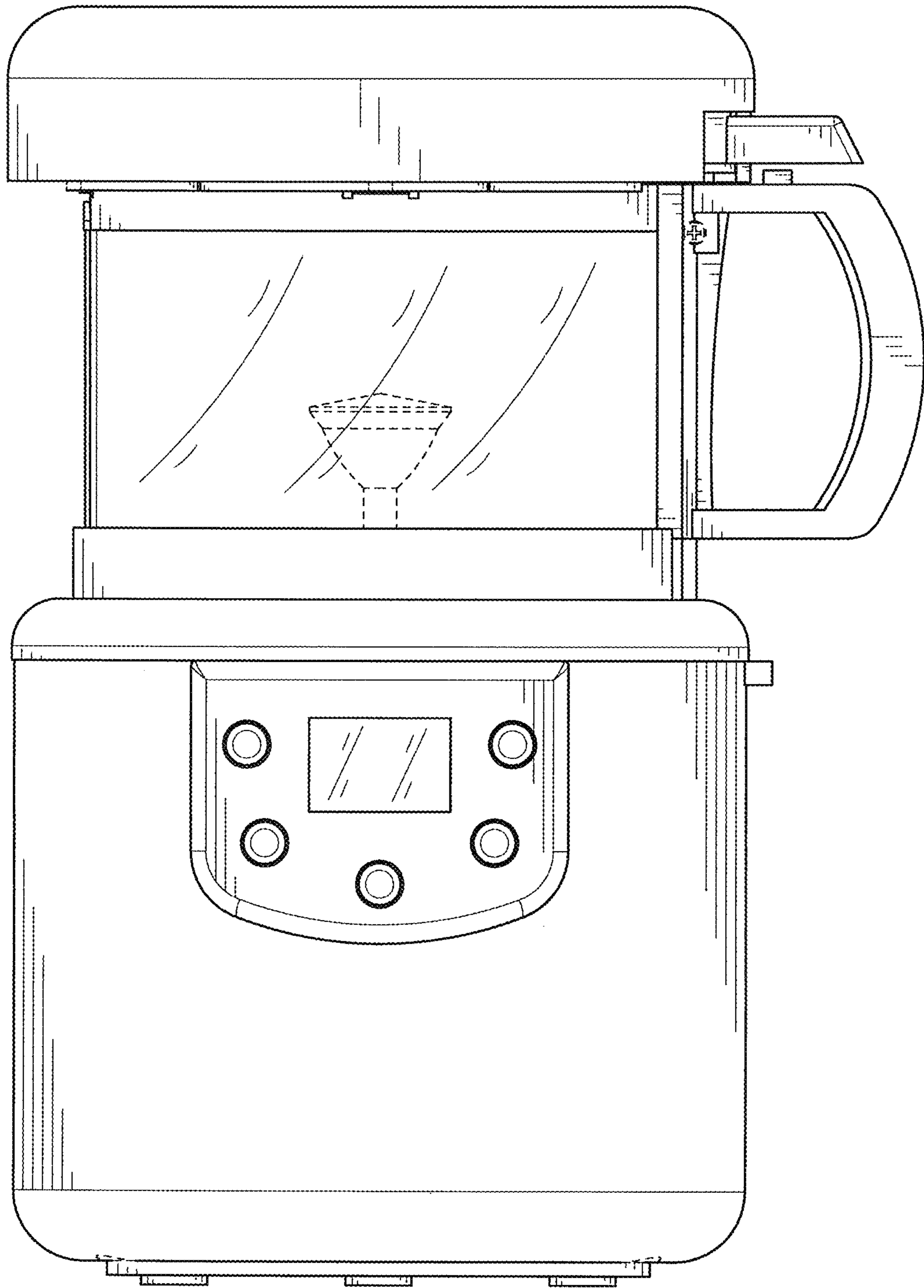


FIG. 3

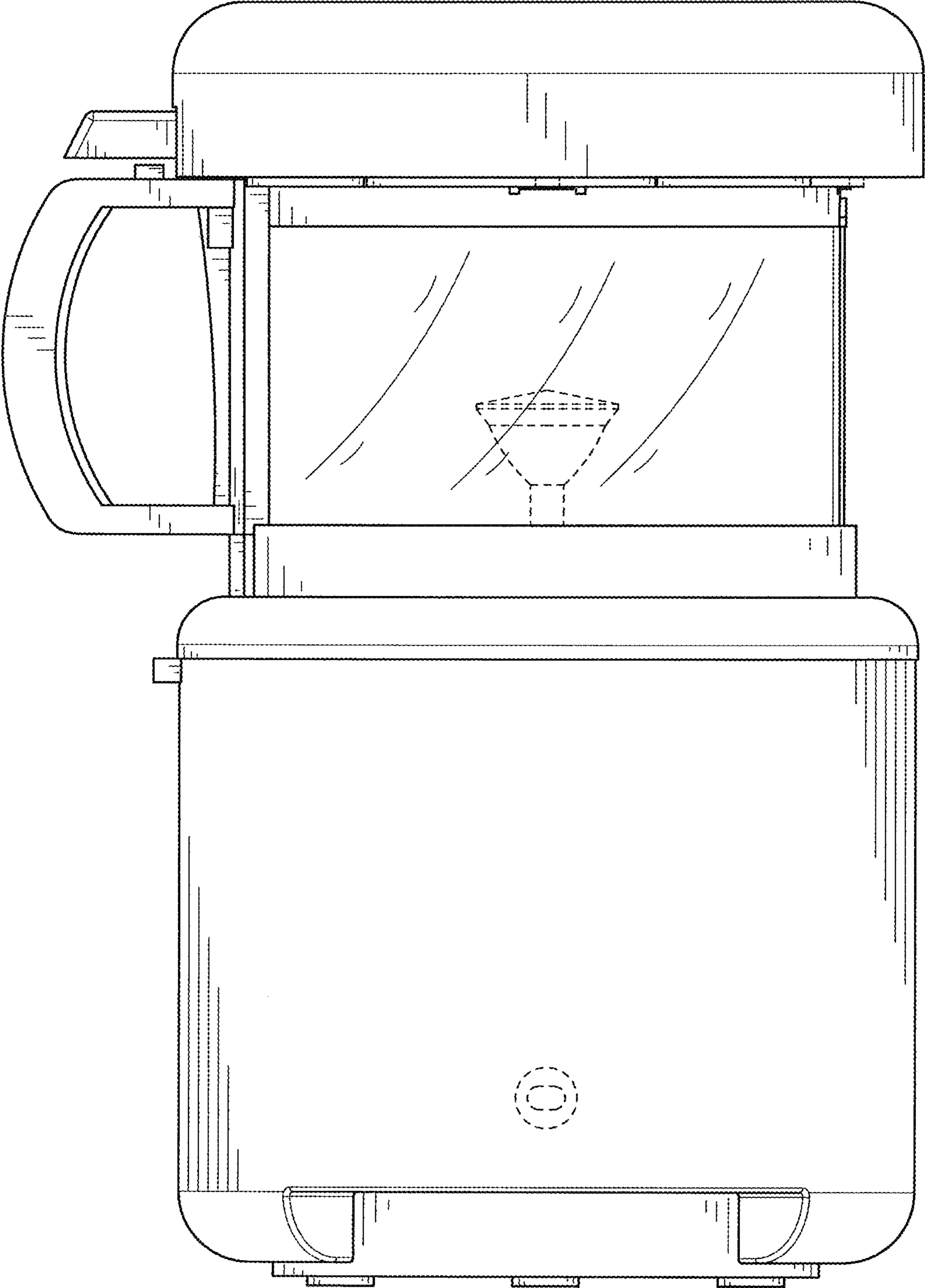


FIG. 4

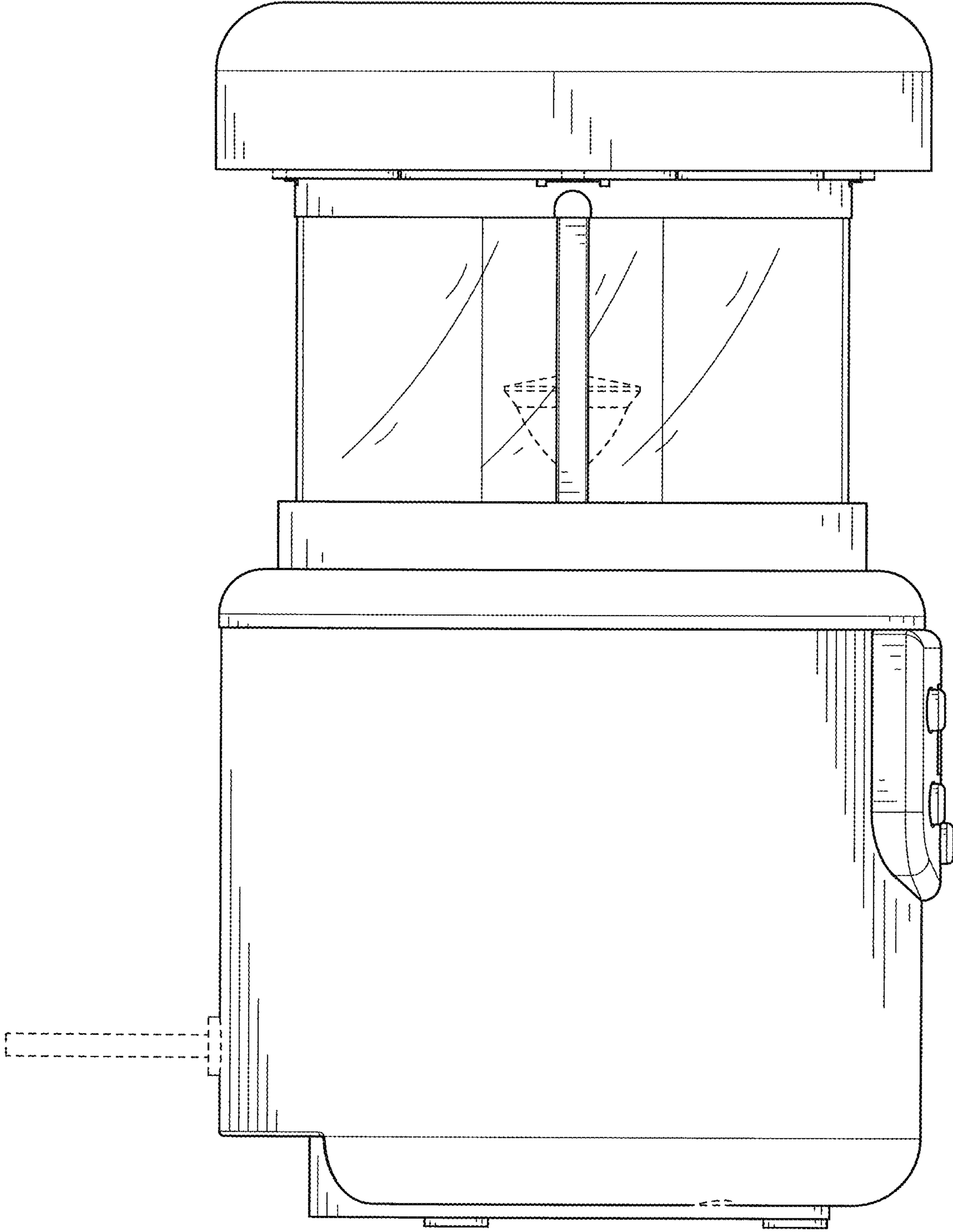


FIG. 5

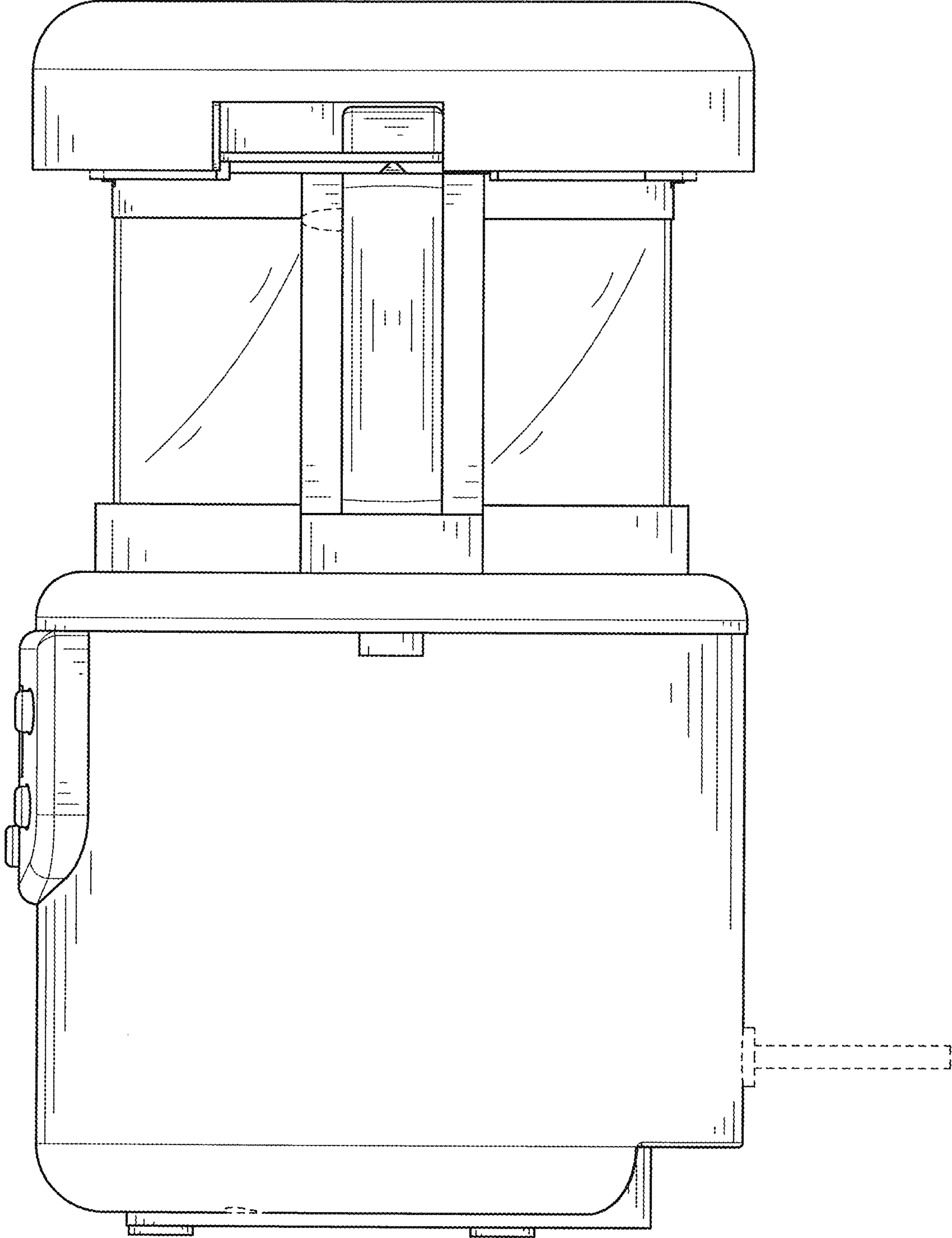


FIG. 6

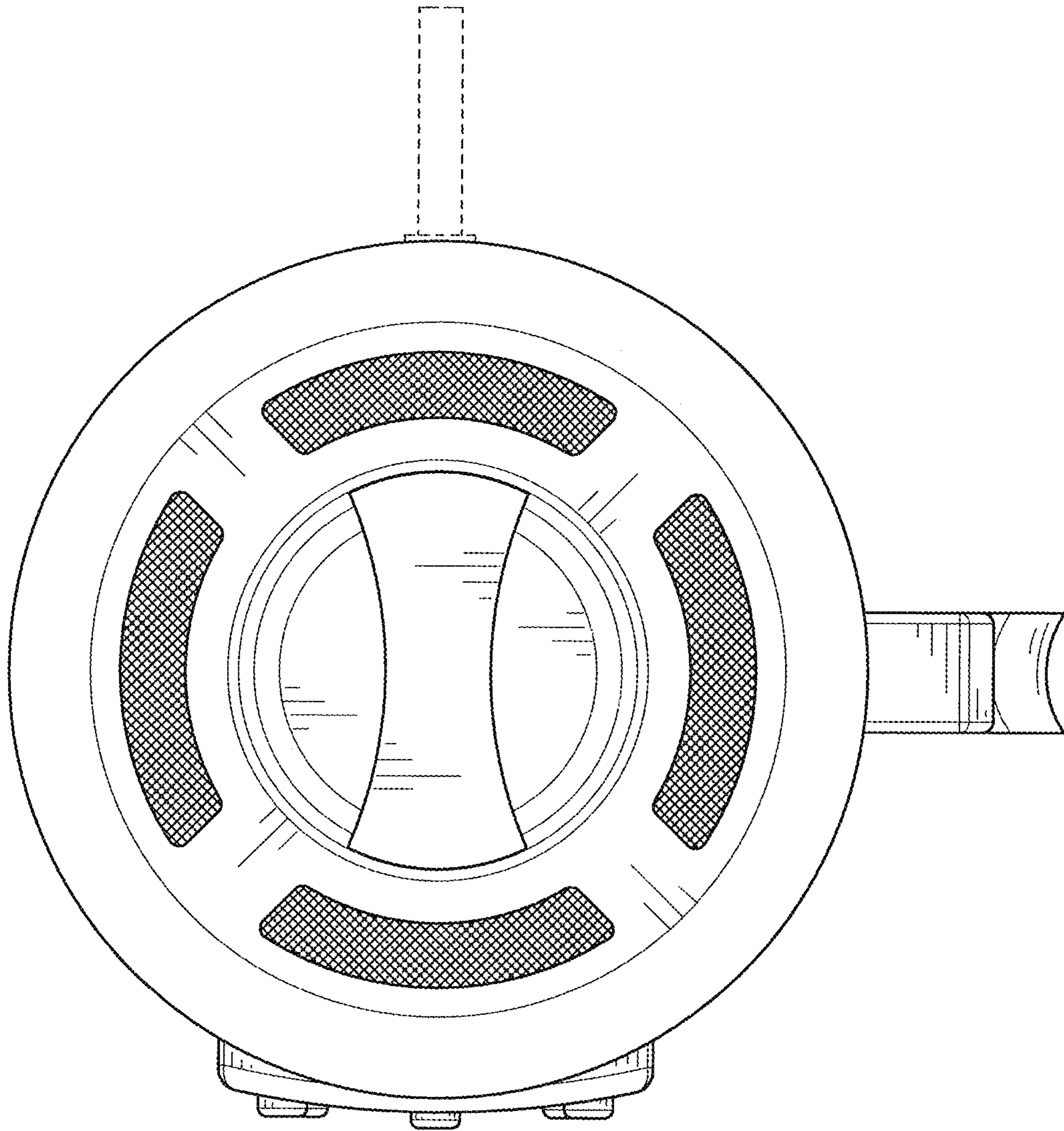


FIG. 7

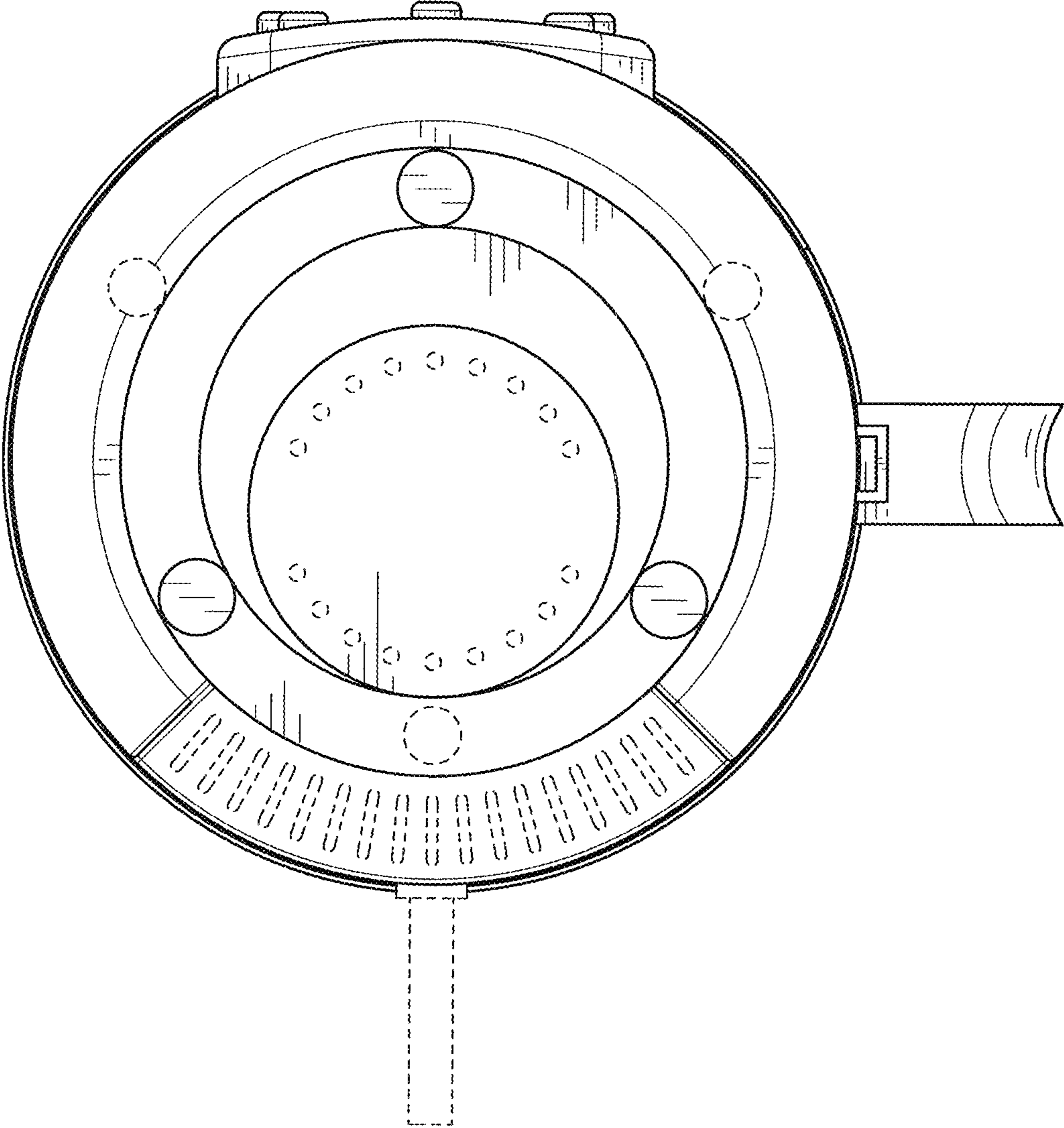


FIG. 8