



US00D888490S

(12) **United States Design Patent**
Li

(10) **Patent No.:** **US D888,490 S**
(45) **Date of Patent:** **** Jun. 30, 2020**

- (54) **POT**
- (71) Applicant: **Yuansheng Li**, Shaoguan (CN)
- (72) Inventor: **Yuansheng Li**, Shaoguan (CN)
- (**) Term: **15 Years**
- (21) Appl. No.: **29/635,260**
- (22) Filed: **Jan. 30, 2018**
- (51) **LOC (12) Cl.** **07-02**
- (52) **U.S. Cl.**
USPC **D7/354**
- (58) **Field of Classification Search**
USPC D7/323, 339, 352, 354-366, 396.1, 402,
D7/409
CPC .. A21B 3/00; A21B 3/13; A21B 3/131; A21B
3/132; A21B 3/135; A21B 3/136; A21B
3/137; A21B 3/15; A21B 5/00; A21B
5/02; A21B 5/04; A47J 27/00; A47J
37/00; A47J 37/01; A47J 37/04; A47J
37/06; A47J 37/10; A47J 37/0611; A47J
37/08; A47J 37/0807; A47J 37/0814;
A47J 37/0835; A47J 37/0842; A47J
37/085; A47J 37/0864; A47J 37/0878;
A47J 37/0885; A47J 37/0892; A47J
36/00; A47J 36/02; A47J 36/06; A47J
36/16; A47J 36/24; A47J 36/022; A47J
36/027; A47J 43/20
See application file for complete search history.

(56) **References Cited**

U.S. PATENT DOCUMENTS

- D323,764 S * 2/1992 Sautour D7/393
- D521,313 S * 5/2006 Pukall D7/361

- D637,861 S * 5/2011 Degnan D7/354
- 8,167,163 B2 * 5/2012 Chen A47J 36/12
220/212.5
- D674,655 S * 1/2013 Chen D7/354
- D674,660 S * 1/2013 Chen D7/354
- D677,517 S * 3/2013 Dichraff D7/354
- D677,518 S * 3/2013 Dichraff D7/354
- D677,979 S * 3/2013 Dichraff D7/354
- D692,719 S * 11/2013 Shahani D7/354
- D746,099 S * 12/2015 Pallotto D7/354
- D749,896 S * 2/2016 Pallotto D7/354
- D819,393 S * 6/2018 Dodane D7/361

* cited by examiner

Primary Examiner — Barbara Fox
Assistant Examiner — Messina L Smith
(74) *Attorney, Agent, or Firm* — Dorsey & Whitney LLP

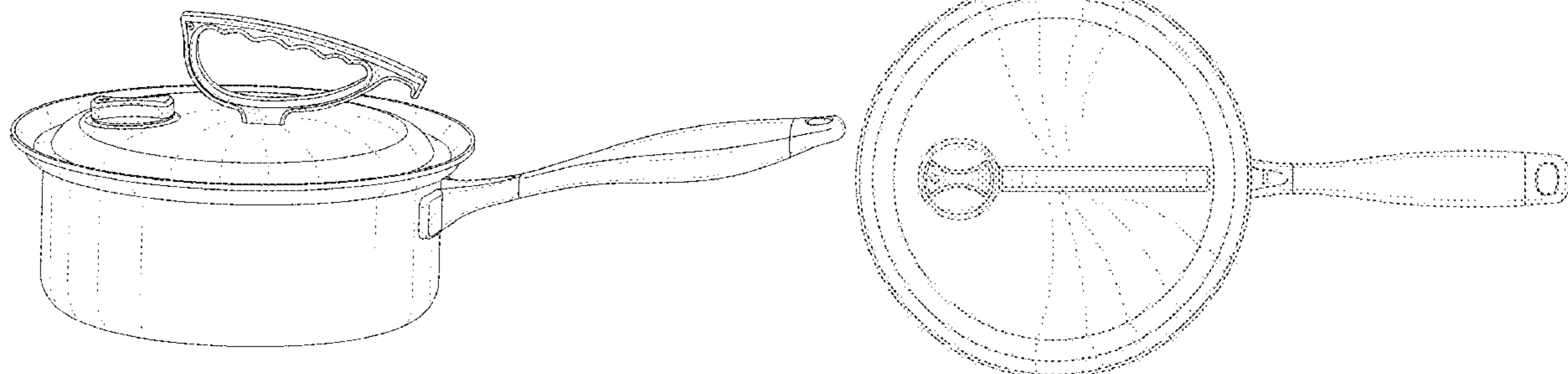
(57) **CLAIM**

The ornamental design for a pot, as shown and described.

DESCRIPTION

FIG. 1 is a perspective view of a pot showing my new design;
FIG. 2 is a front plan view thereof, with a rear plan view being a mirror image thereof;
FIG. 3 is a right side elevational view thereof;
FIG. 4 is a left side view elevational thereof;
FIG. 5 is a top plan view thereof; and,
FIG. 6 is a bottom plan view thereof.
The broken lines in the drawings depict portions of the pot that form no part of the claimed design.

1 Claim, 6 Drawing Sheets



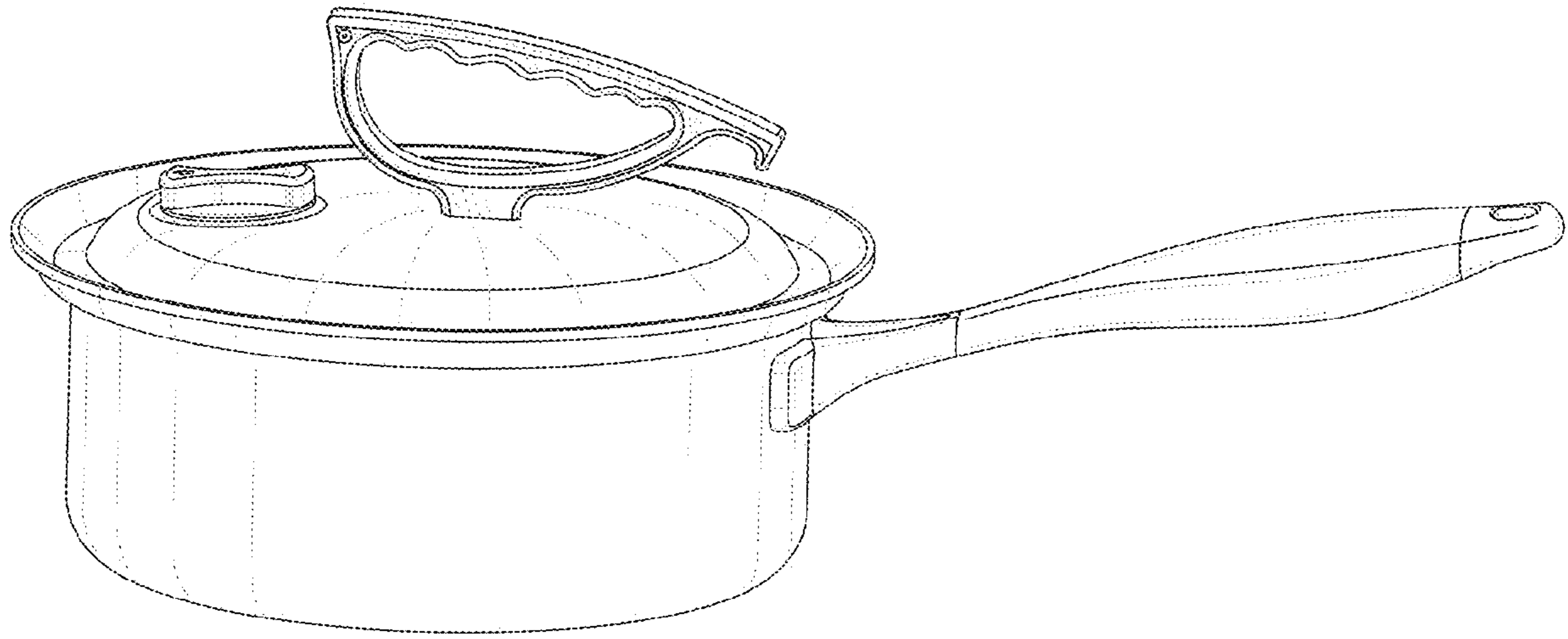


Fig. 1

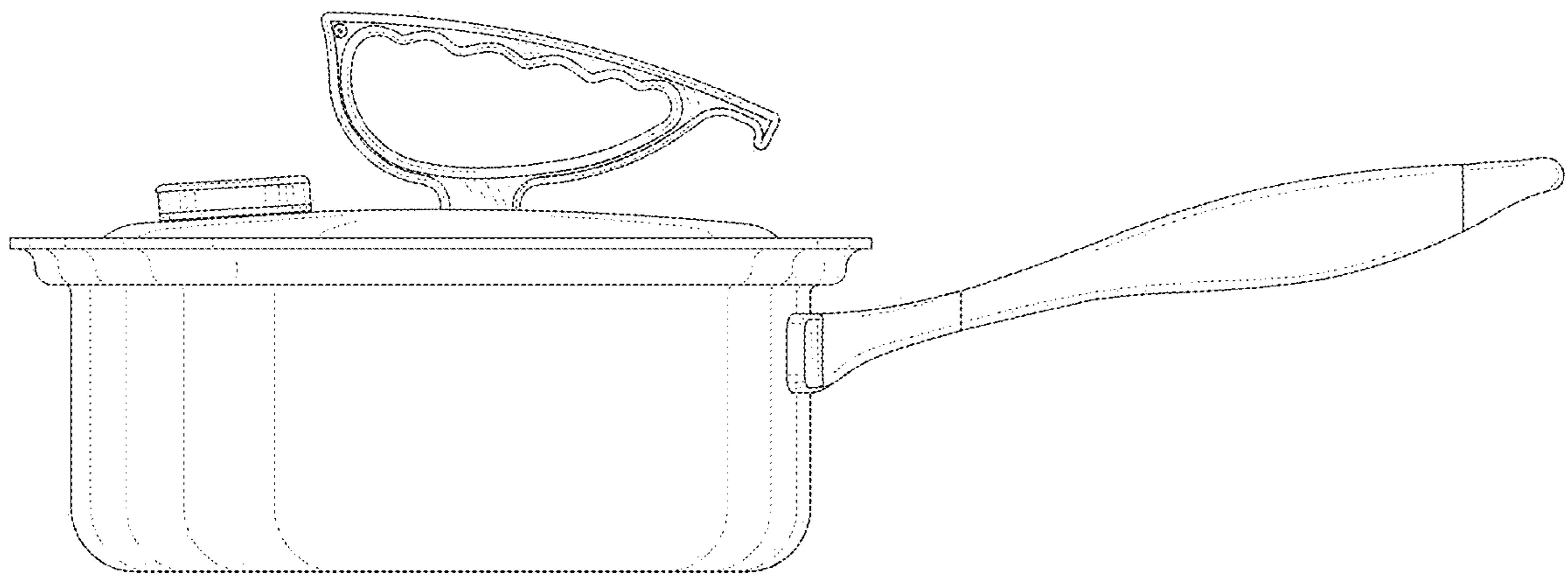


Fig.2

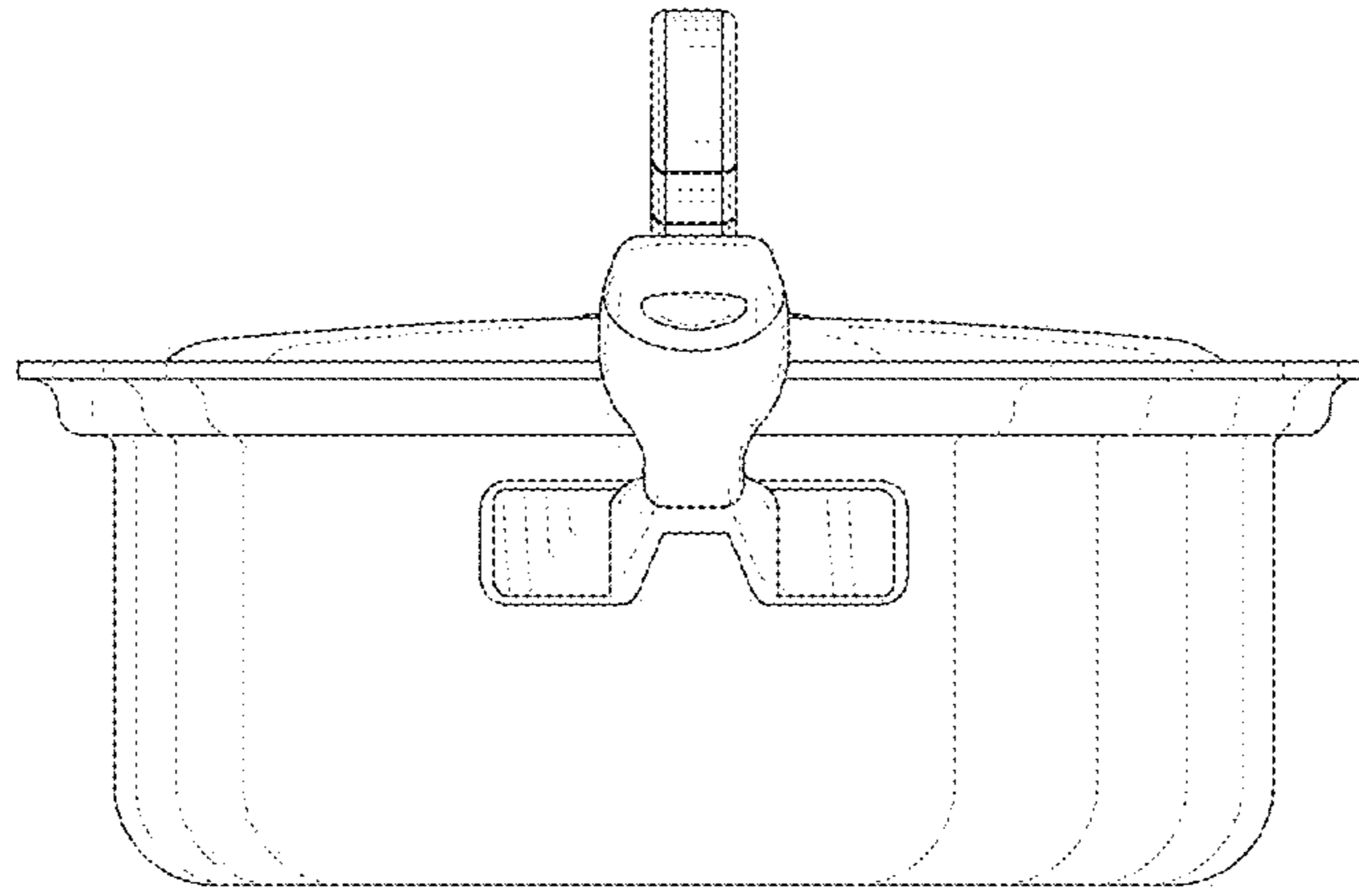


Fig.3

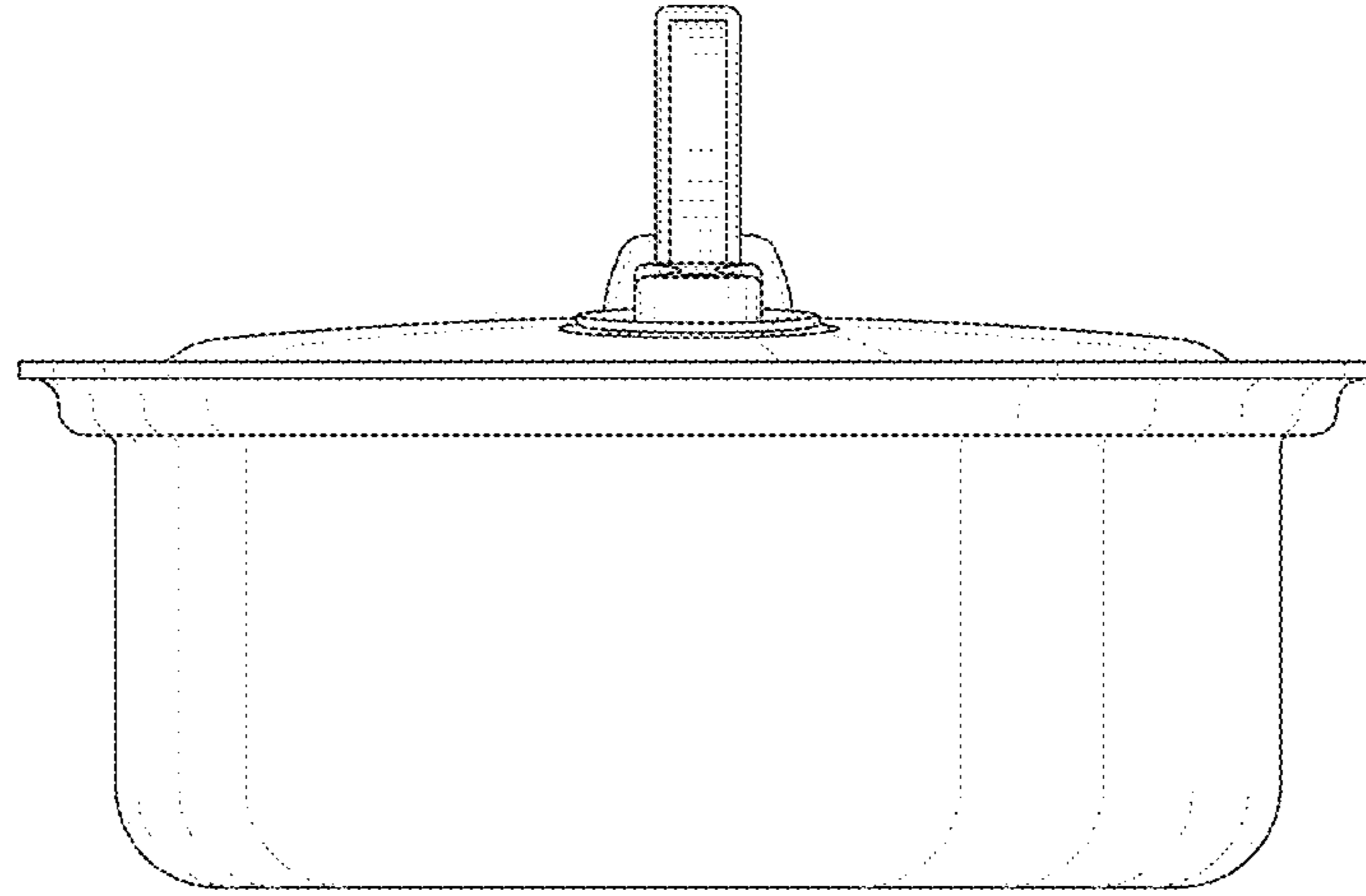


Fig.4

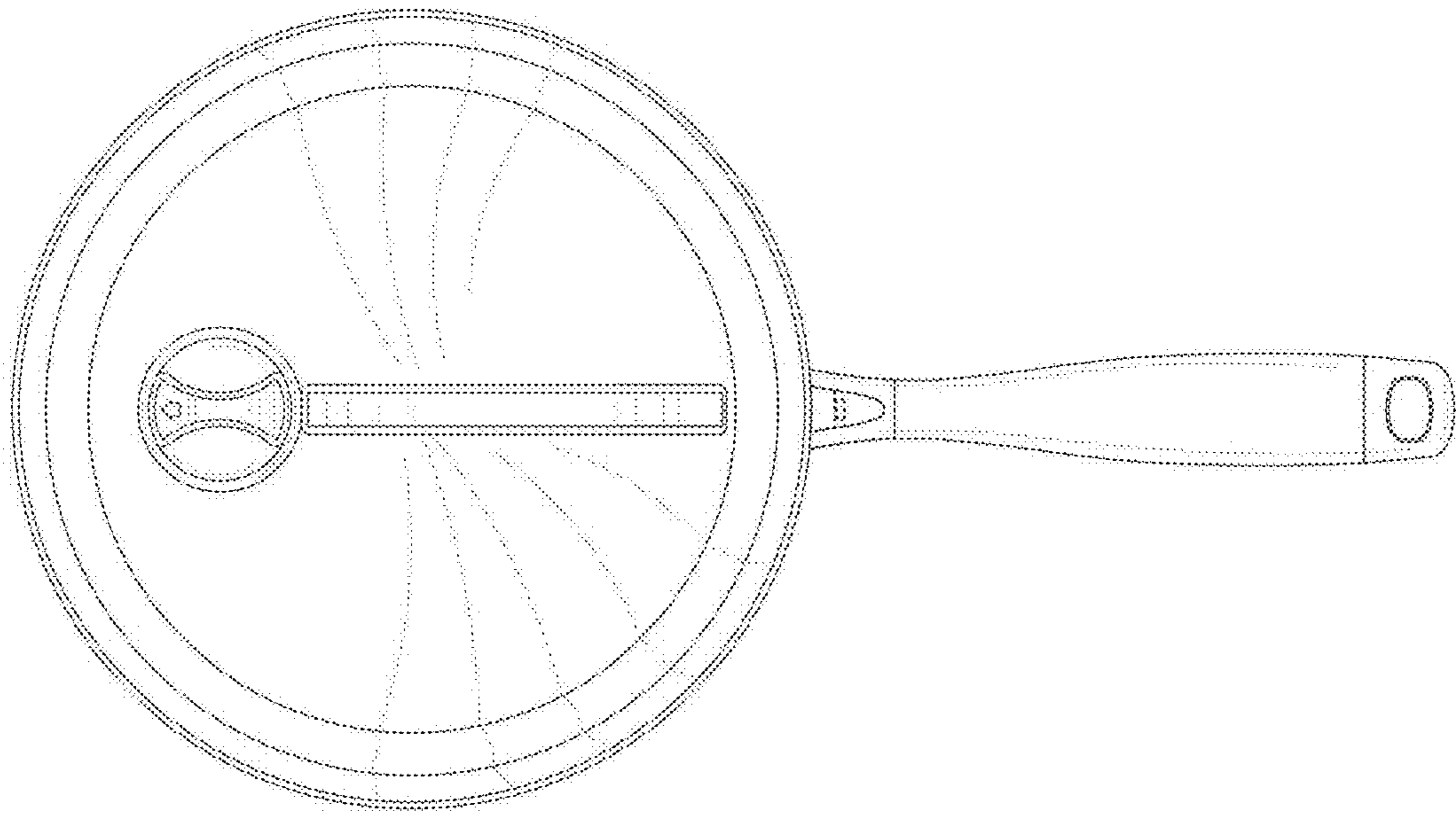


Fig. 5

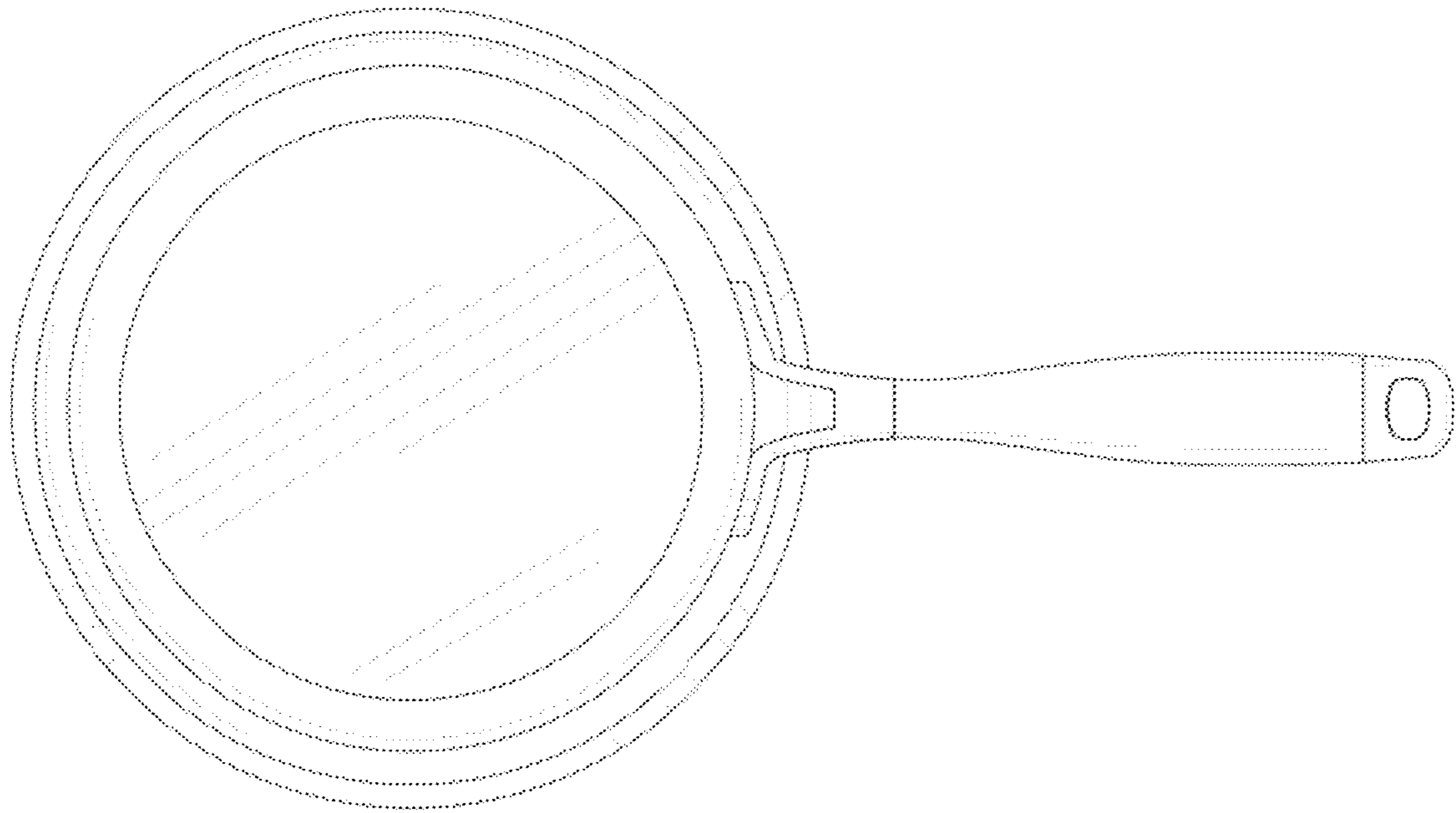


Fig. 6