



US00D888489S

(12) **United States Design Patent**
Thorogood

(10) **Patent No.:** **US D888,489 S**

(45) **Date of Patent:** **** Jun. 30, 2020**

(54) **PIZZA OVEN**

(71) Applicant: **Breville Pty Limited**, Alexandria (AU)

(72) Inventor: **Michael Thorogood**, Alexandria (AU)

(73) Assignee: **BREVILLE PTY LIMITED**,
Alexandria (AU)

(**) Term: **15 Years**

(21) Appl. No.: **29/650,994**

(22) Filed: **Jun. 12, 2018**

(30) **Foreign Application Priority Data**

Apr. 4, 2018 (AU) 201811968

(51) **LOC (12) Cl.** **07-02**

(52) **U.S. Cl.**
USPC **D7/350.4**

(58) **Field of Classification Search**
USPC D7/323, 331, 334, 338, 339, 340, 347,
D7/348, 350.1, 350.3, 350.4, 351, 362,
D7/363, 364, 365, 341, 346, 402-407;
D23/314, 322, 323, 329, 330, 341;
D99/28, 43

CPC . H05B 6/12; H05B 6/64; H05B 6/806; H05B
6/6426; H05B 6/6412; A21B 1/52; A21B
1/00; A47J 37/00; A47J 37/0763; A47J
37/36; F24C 15/08; F27D 9/00; F27D
2009/0018; F27D 2009/004; F27B
2014/0837; F23D 14/02

See application file for complete search history.

(56) **References Cited**

U.S. PATENT DOCUMENTS

D191,187 S * 8/1961 Booty D7/405
D442,018 S * 5/2001 Kusachi D7/351
D465,964 S * 11/2002 Morgan D7/351
D499,300 S * 12/2004 Fukuda D7/351

D501,356 S * 2/2005 Averty D7/350.4
D532,645 S * 11/2006 Lee D7/351
D569,675 S * 5/2008 Sumser D7/328
D640,499 S * 6/2011 King D7/348
D717,580 S * 11/2014 Bryant D7/351
D779,262 S * 2/2017 Kim D7/348
D780,504 S * 3/2017 Terao D7/350.1
D781,097 S * 3/2017 Kim D7/348
D781,634 S * 3/2017 Koszylko D7/348
D781,635 S * 3/2017 Koszylko D7/348
D786,611 S * 5/2017 Funnell, II D7/348
D805,833 S * 12/2017 Baacke D7/348
D815,485 S * 4/2018 Suehiro D7/350.1

(Continued)

OTHER PUBLICATIONS

Napoli Wood Fire and Gas Pizza Oven: Announced Jun. 6, 2019 [online]. Site Visited [Sep. 20, 2019]. Available from Internet URL: https://www.amazon.com/Napoli-Wood-Fire-Outdoor-Pizza/dp/B07FT4CP11/ref=cm_cr_ar_p_d_product_top?ie=UTF8.*

(Continued)

Primary Examiner — Catherine S Posthauer
(74) *Attorney, Agent, or Firm* — Moser Taboada

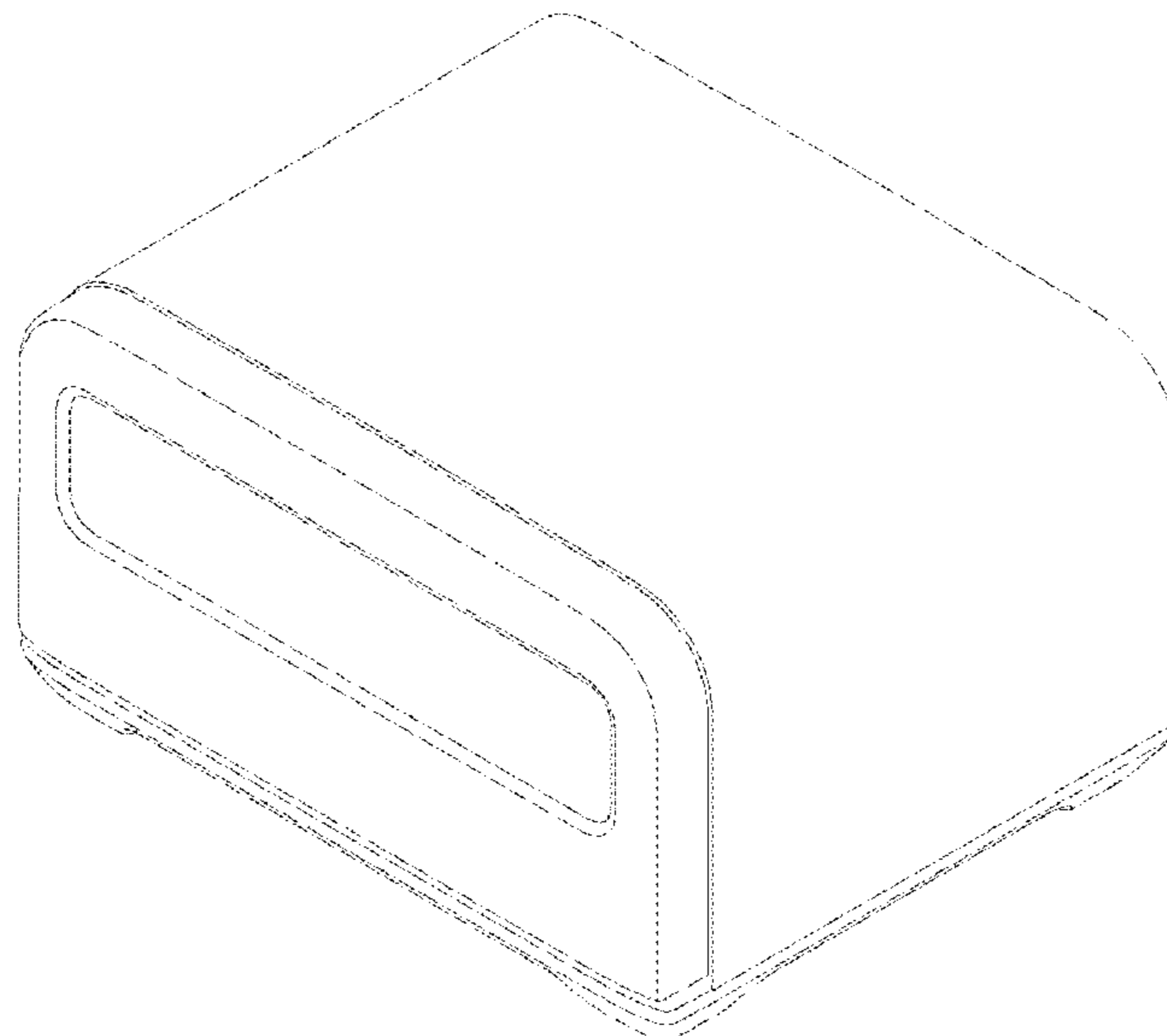
(57) **CLAIM**

The ornamental design for a pizza oven, as shown and described.

DESCRIPTION

FIG. 1 is a front view of a pizza oven, showing our new design;
FIG. 2 is a right side view thereof;
FIG. 3 is a rear view thereof;
FIG. 4 is a left side view thereof;
FIG. 5 is a top view thereof;
FIG. 6 is a bottom view thereof;
FIG. 7 is a front perspective view thereof; and,
FIG. 8 is a rear perspective view thereof.

1 Claim, 8 Drawing Sheets



(56)

References Cited

U.S. PATENT DOCUMENTS

D845,055 S * 4/2019 Goodwin D7/323
D849,466 S * 5/2019 Formisano D7/348
D853,678 S * 7/2019 King D99/43
D859,053 S * 9/2019 Baacke D7/339

OTHER PUBLICATIONS

Pizzaiolo: Announced Jul. 2, 2019 [online]. Site Visited [Mar. 4, 2020]. Available from Internet URL: <https://www.breville.com/us/en/products/ovens/bpz820.html>.*

* cited by examiner

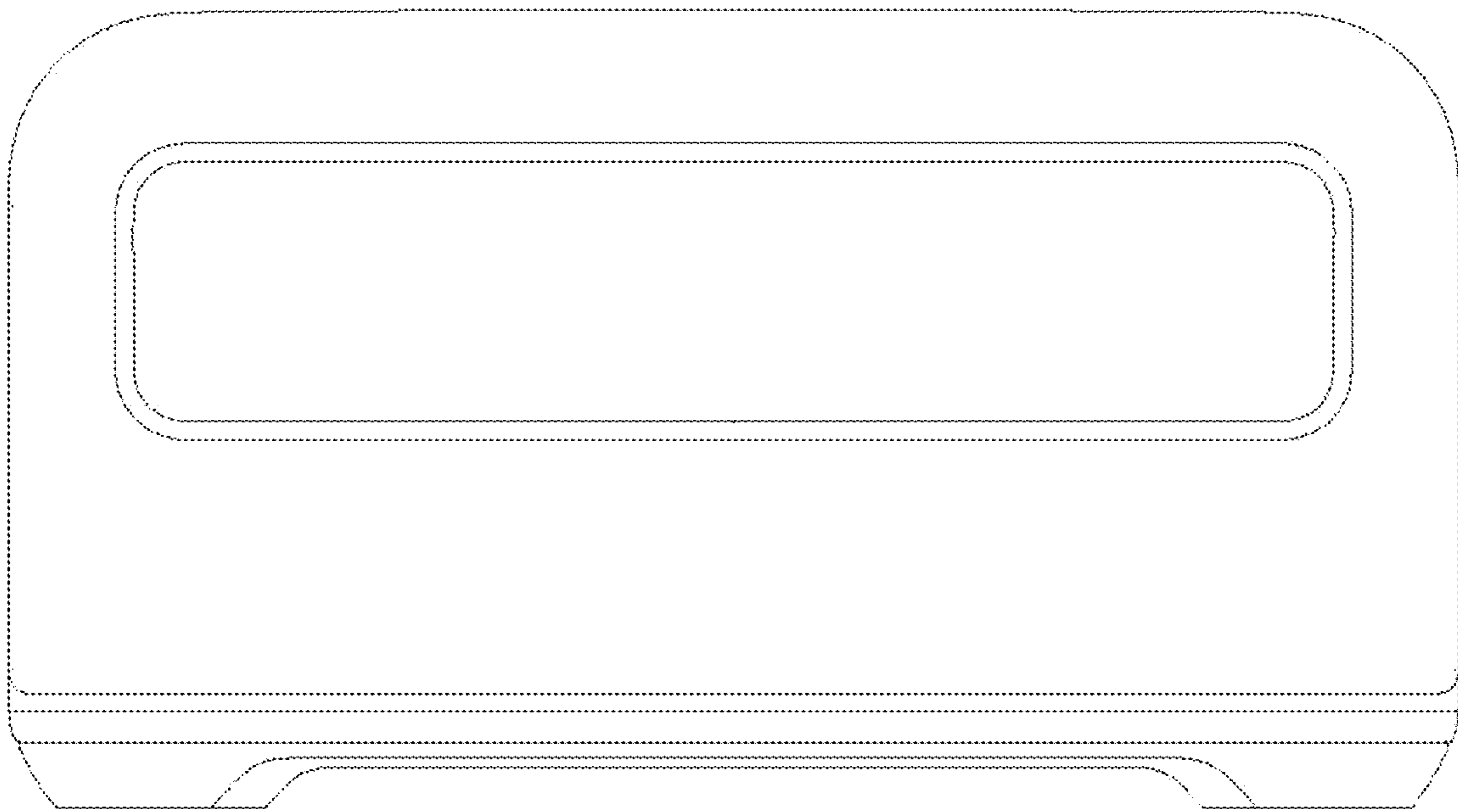


FIG. 1

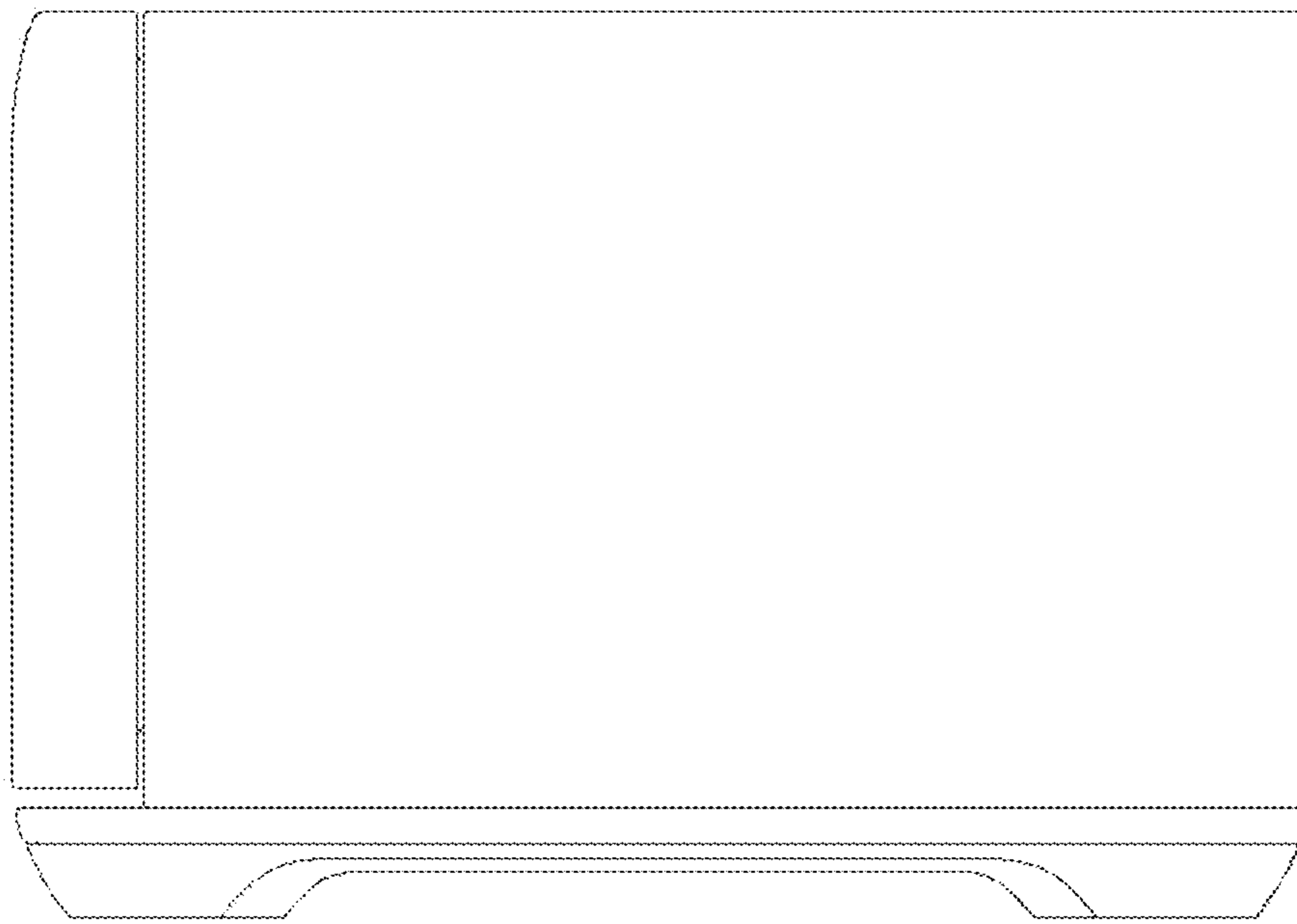


FIG. 2

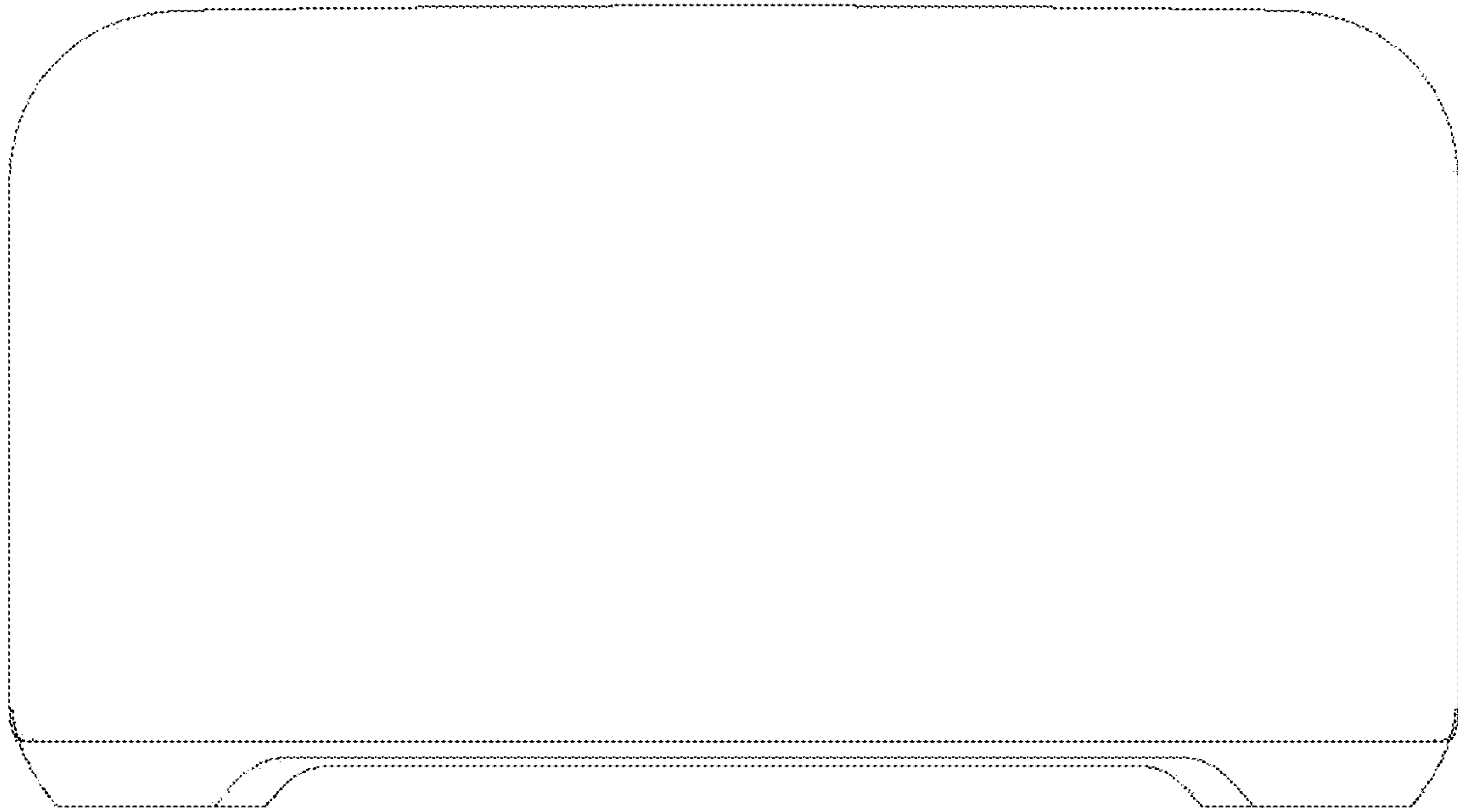


FIG. 3

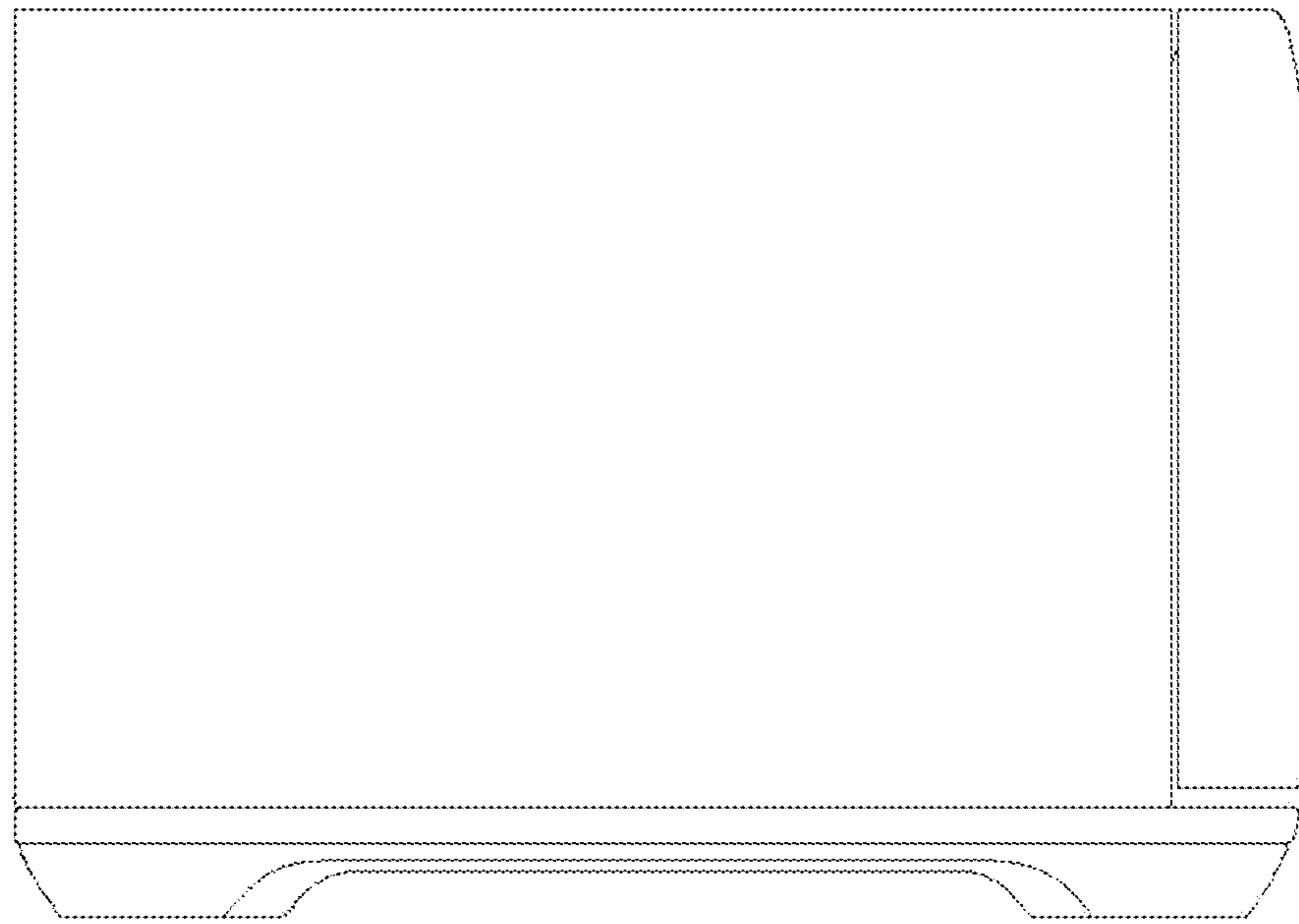


FIG. 4



FIG. 5

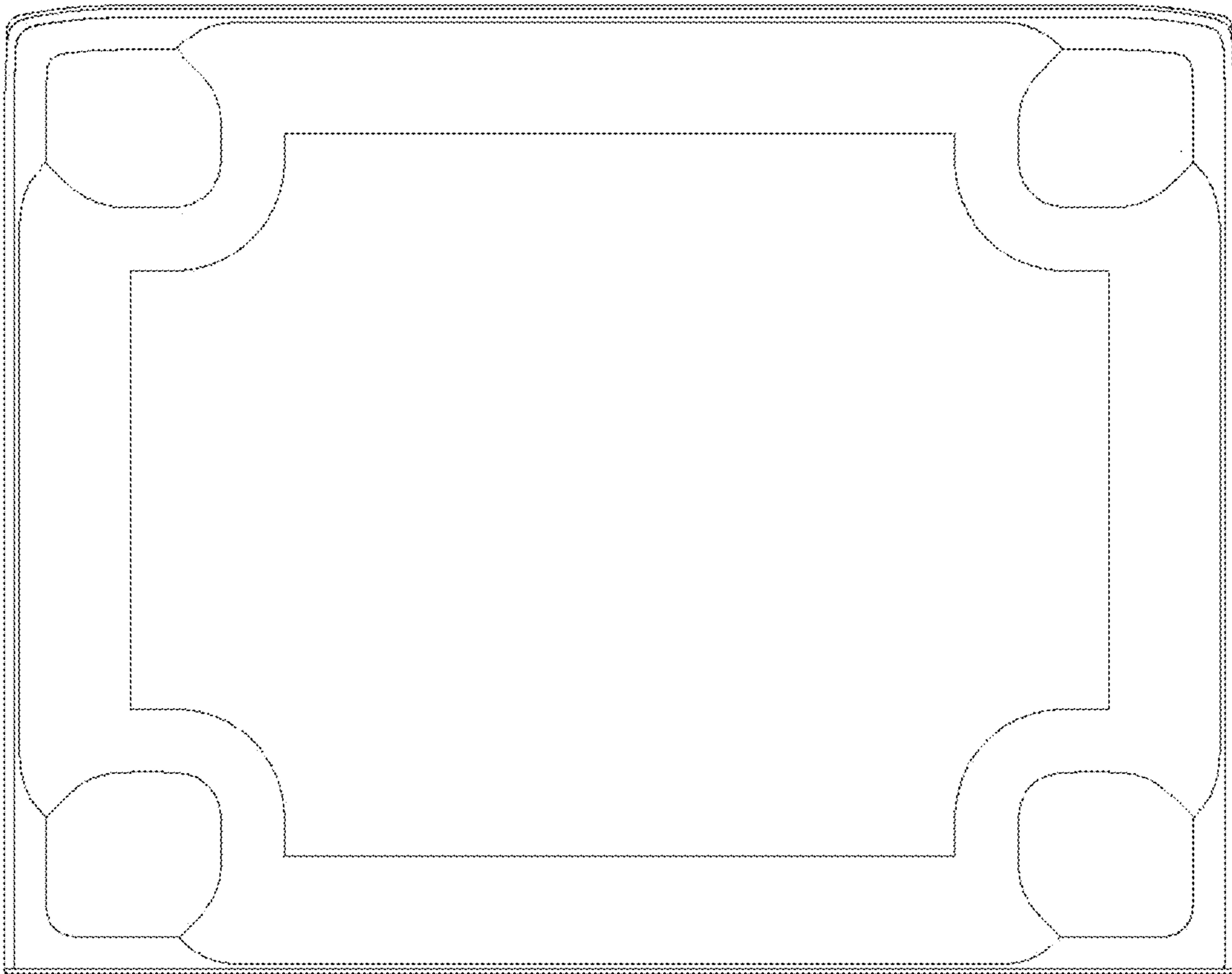


FIG. 6

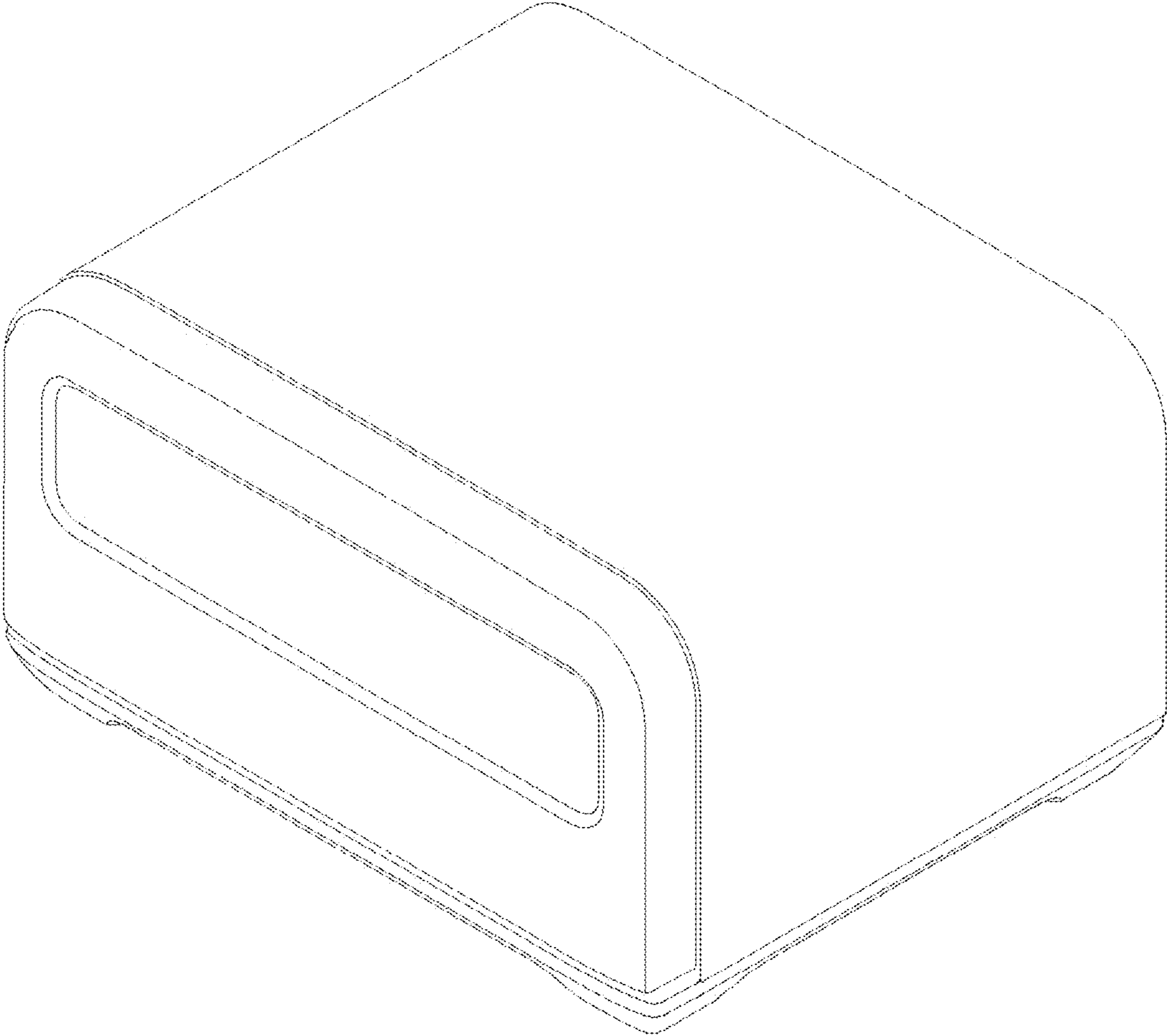


FIG. 7

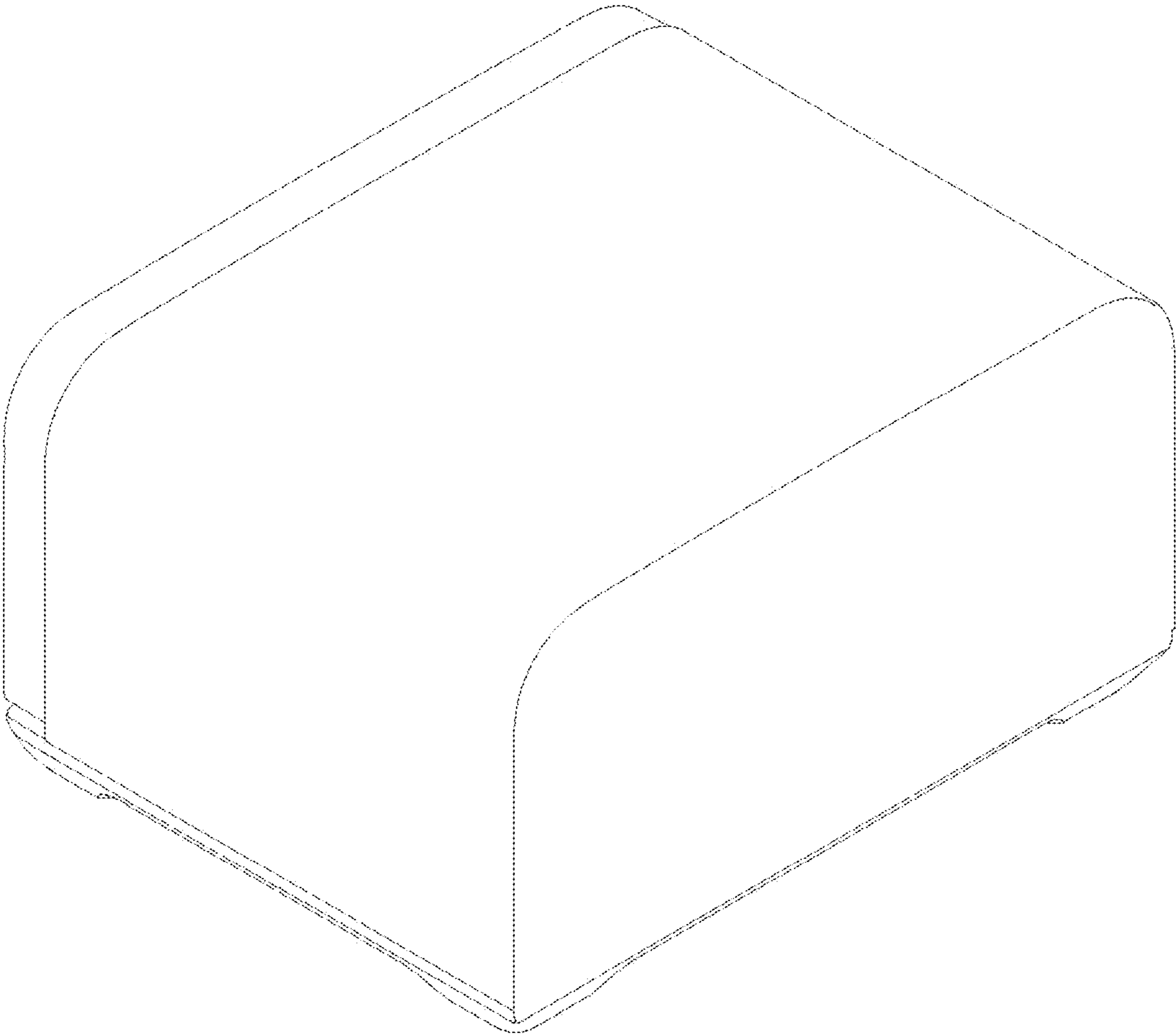


FIG. 8